



US00D670766S

(12) **United States Design Patent**
Busch

(10) **Patent No.:** **US D670,766 S**

(45) **Date of Patent:** **** Nov. 13, 2012**

(54) **SIGN FRAME**

Primary Examiner — Mary Ann Calabrese

(75) **Inventor:** **Craig Busch**, Ontario (CA)

(74) *Attorney, Agent, or Firm* — Alston & Bird LLP

(73) **Assignee:** **Busch Systems International, Inc.**,
Barrie, Ontario (CA)

(**) **Term:** **14 Years**

(57) **CLAIM**

The ornamental design for a sign frame, as shown and described.

(21) **Appl. No.:** **29/392,396**

(22) **Filed:** **May 20, 2011**

(51) **LOC (9) Cl.** **20-03**

(52) **U.S. Cl.** **D20/43**

(58) **Field of Classification Search** D20/10,
D20/19, 41, 43, 44, 99; 40/591, 625, 642.01,
40/642.02, 643, 644, 647-655, 657-661,
40/661.01, 661.03, 661.05-661.08, 766;
235/486

See application file for complete search history.

DESCRIPTION

FIG. 1 is a rear elevation view of a sign frame showing my new design;
FIG. 2 is a front elevation view thereof;
FIG. 3 is a left side elevation view thereof;
FIG. 4 is a right side elevation view thereof;
FIG. 5 is a top plan view thereof;
FIG. 6 is a bottom plan view thereof;
FIG. 7 is a rear perspective view thereof;
FIG. 8 is a front perspective view thereof; and,
FIG. 9 is another rear perspective view thereof.

The broken lines of the waste bin are directed to environment and are for illustrative purposes only. The broken lines form no part of the claimed design.

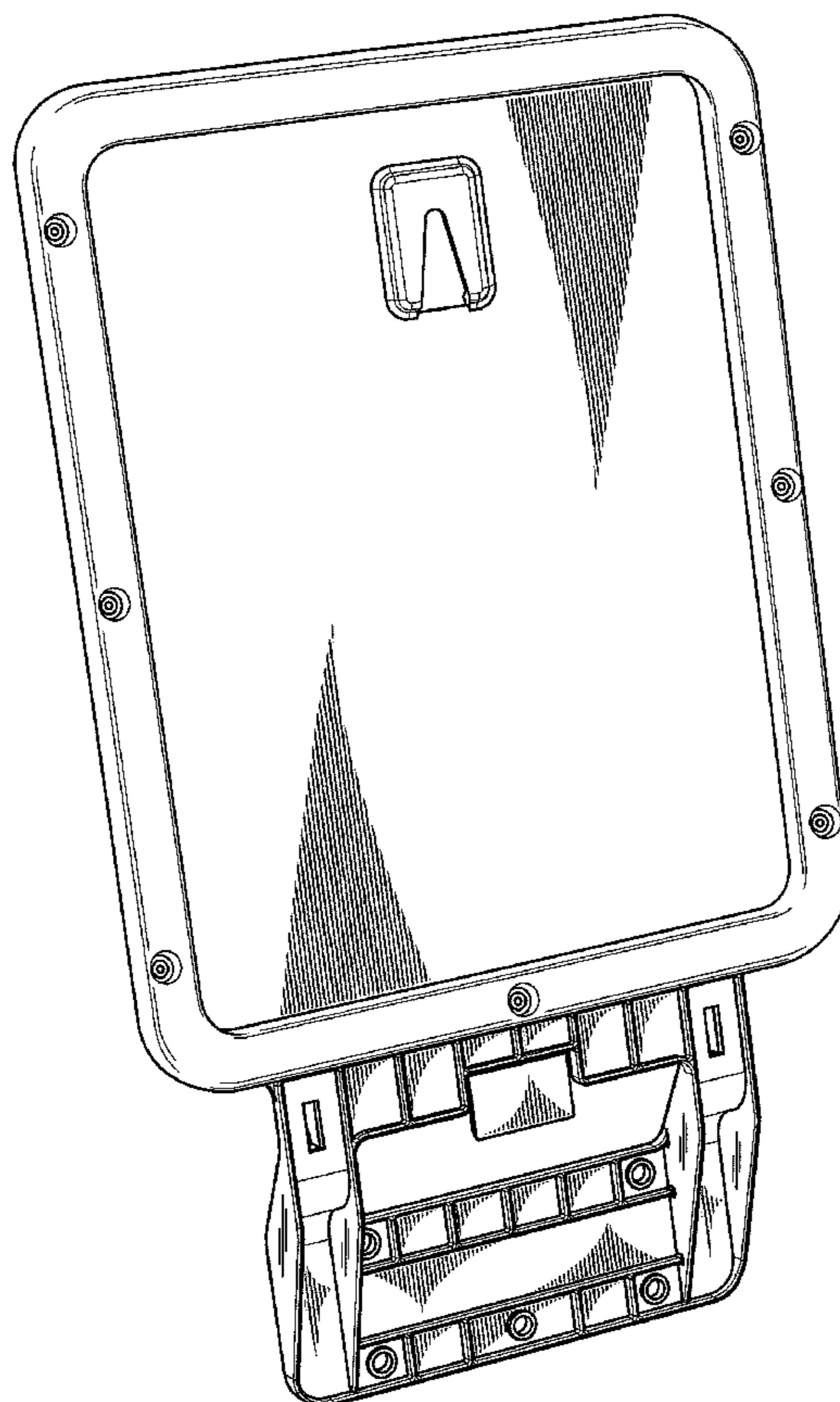
(56) **References Cited**

U.S. PATENT DOCUMENTS

D309,160 S *	7/1990	Holland	D20/41
D609,753 S *	2/2010	Dukes et al.	D20/43
8,056,812 B2 *	11/2011	Huang	235/486
D651,255 S *	12/2011	Ingouville	D20/41

* cited by examiner

1 Claim, 7 Drawing Sheets



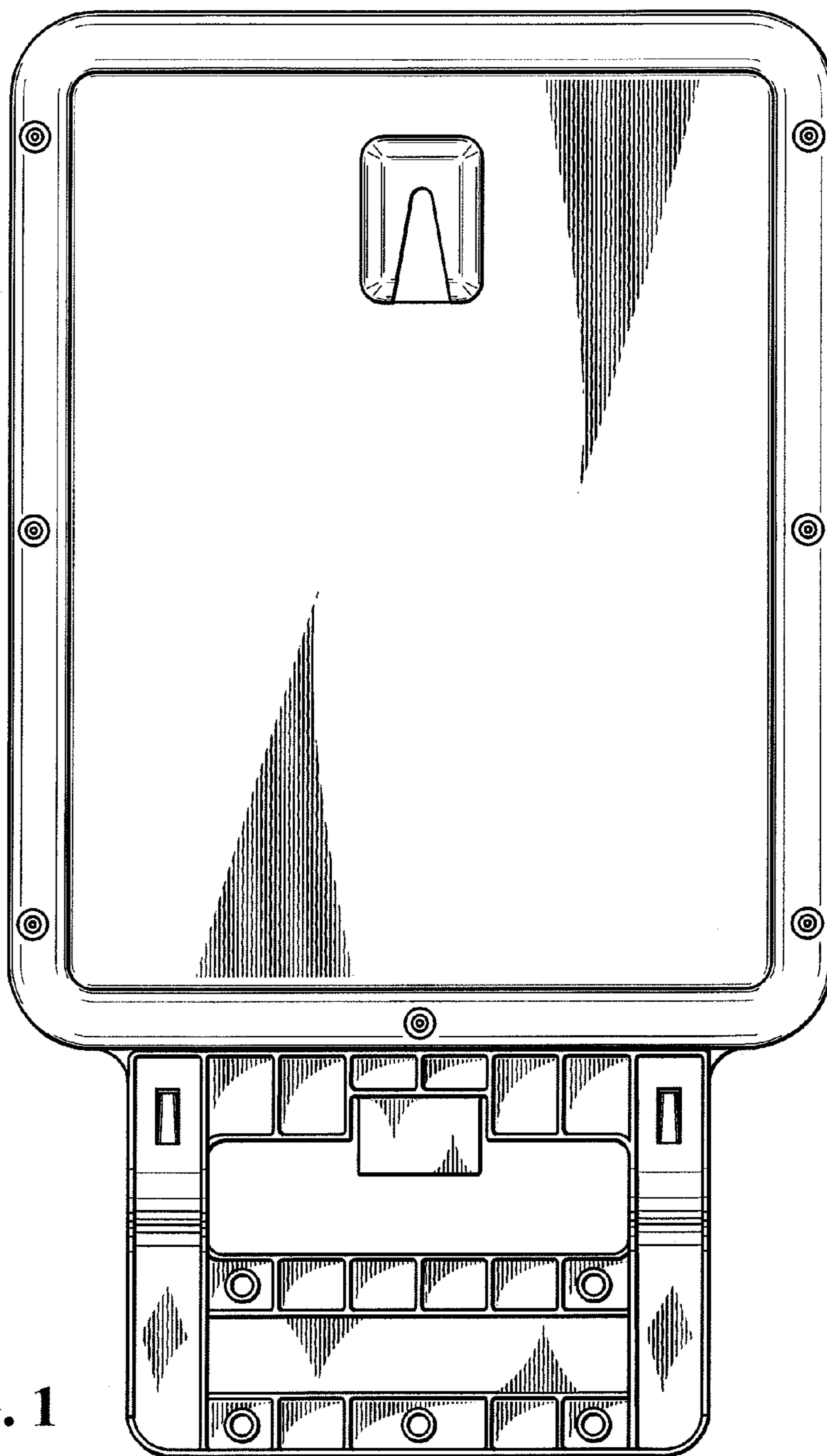


FIG. 1

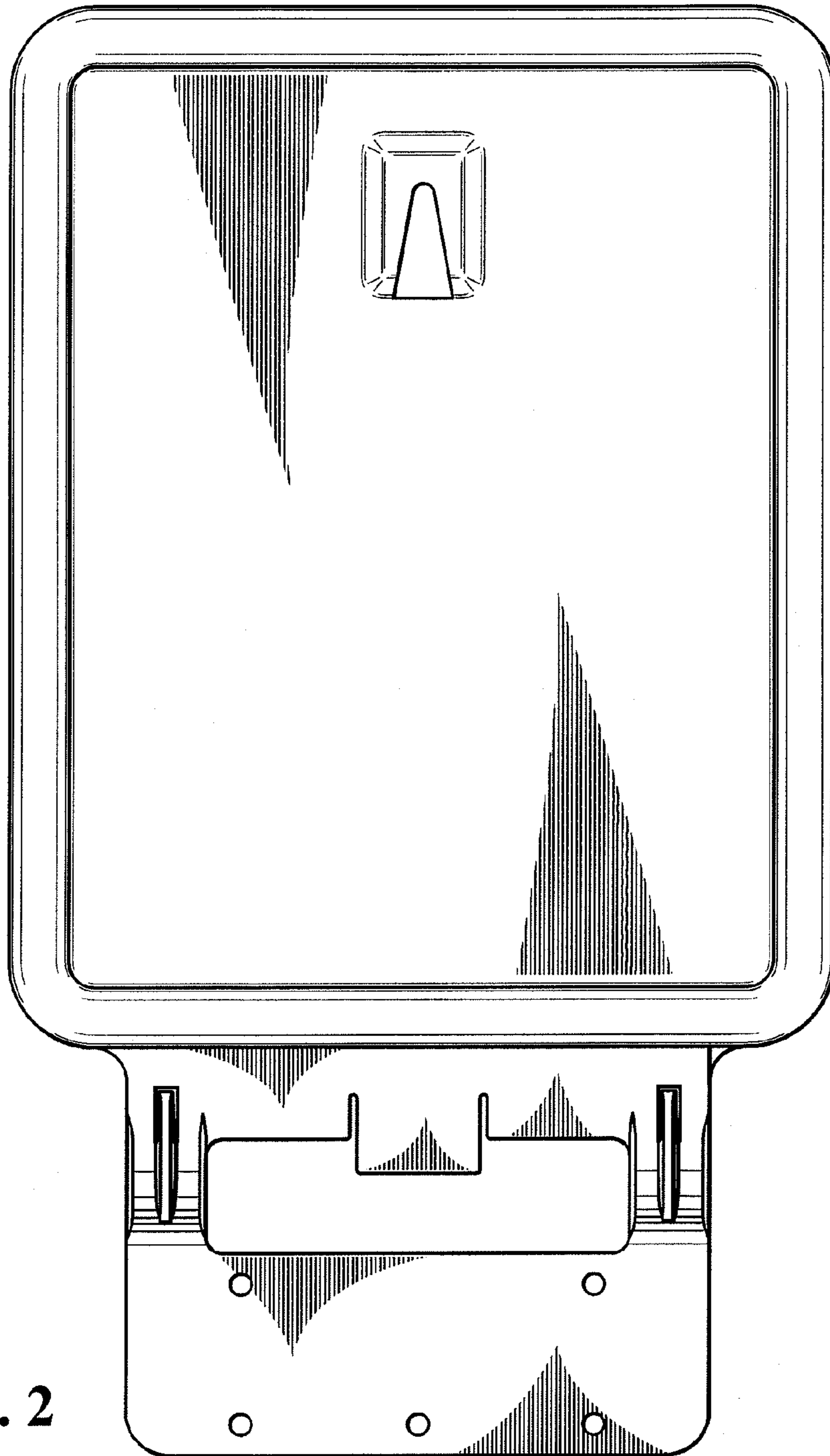


FIG. 2

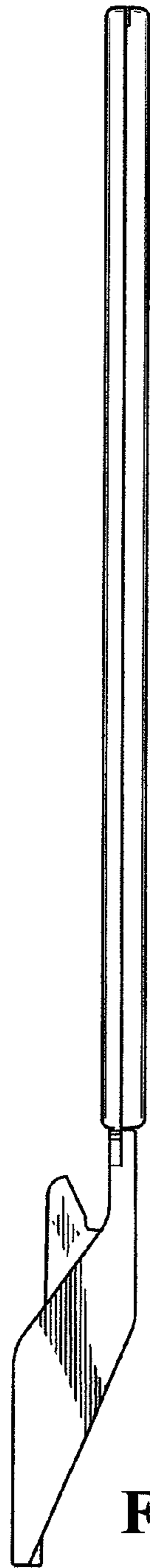


FIG. 3

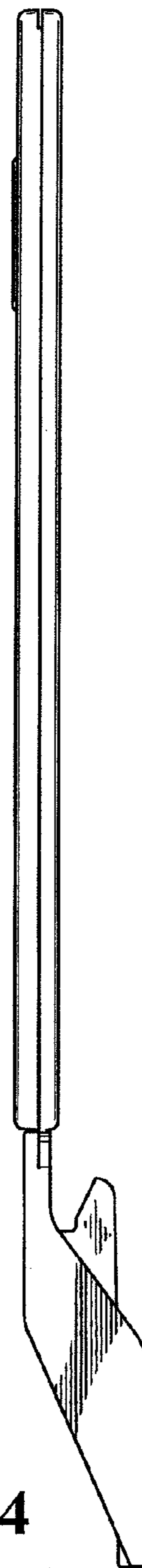


FIG. 4

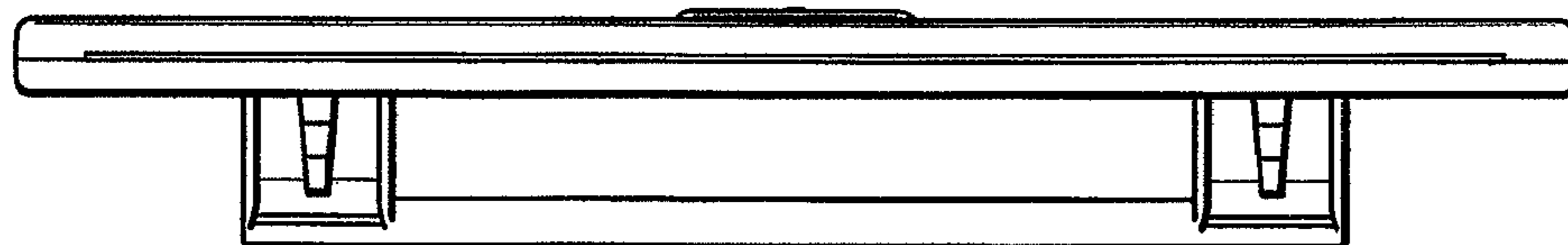


FIG. 5

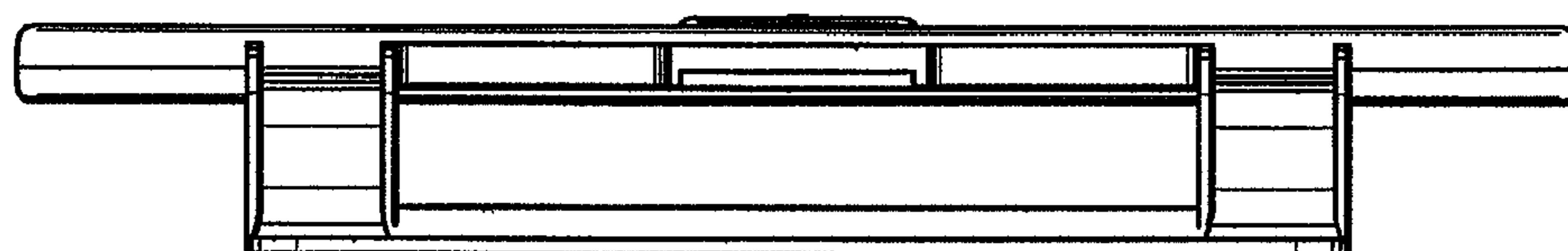


FIG. 6

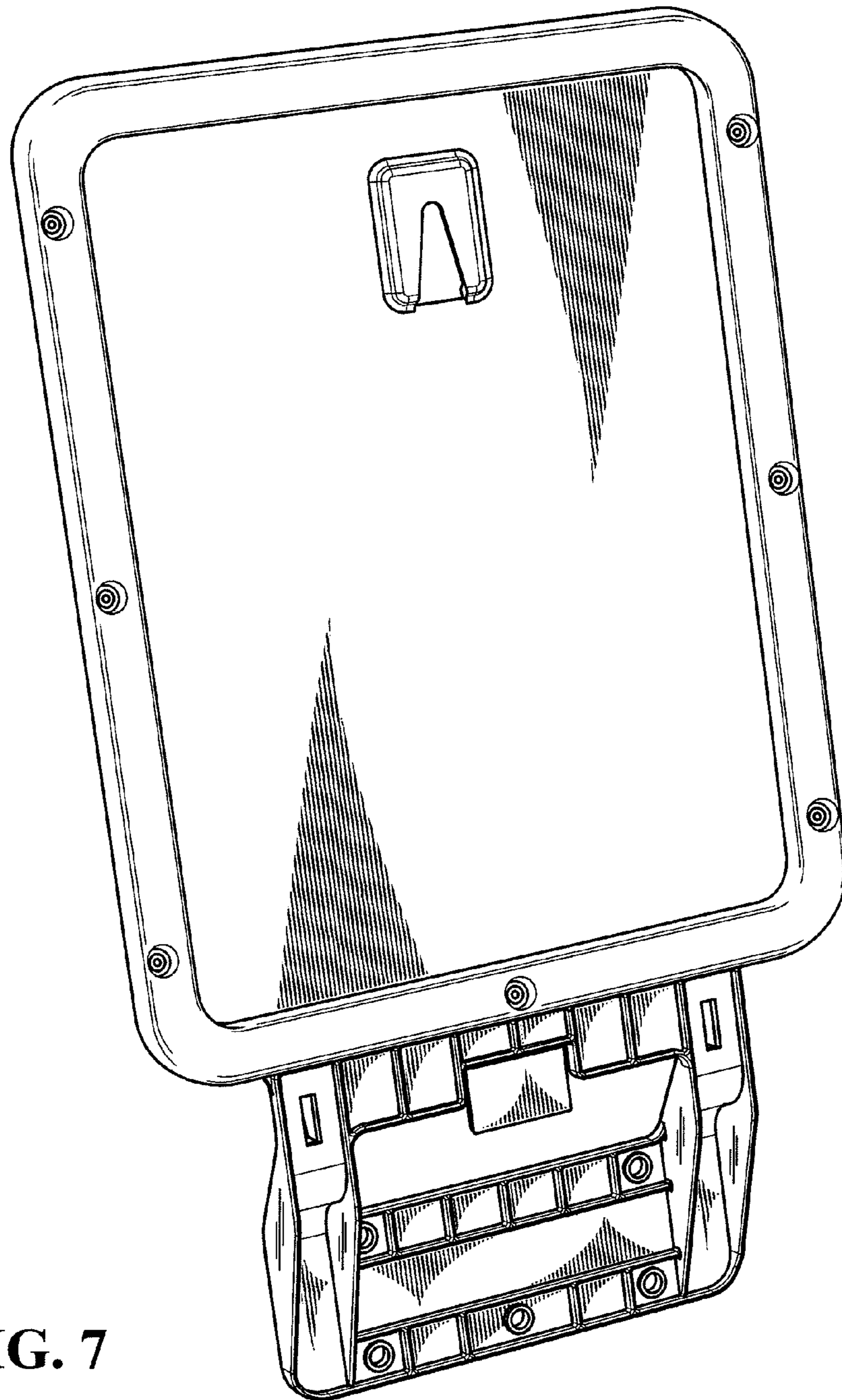


FIG. 7

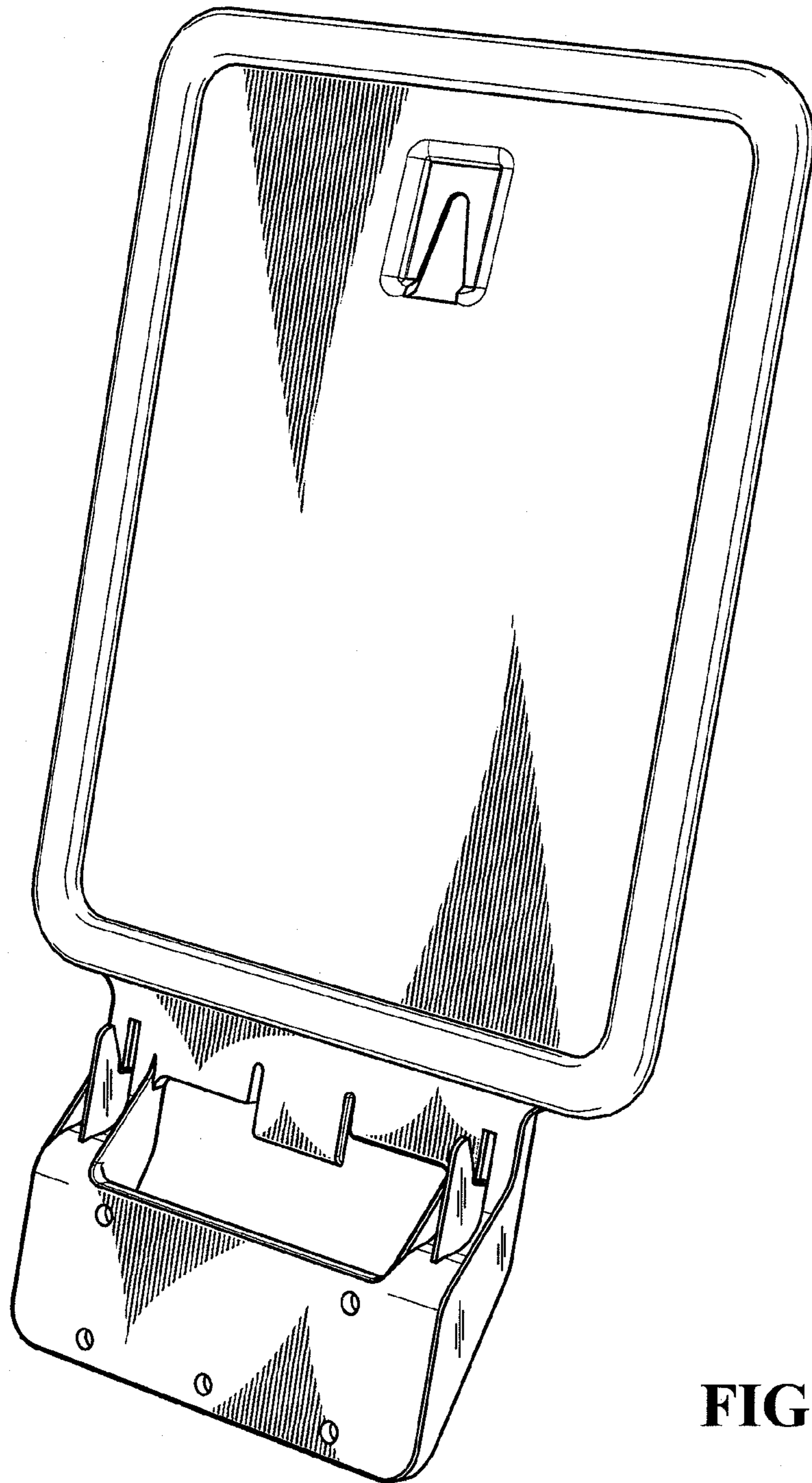


FIG. 8

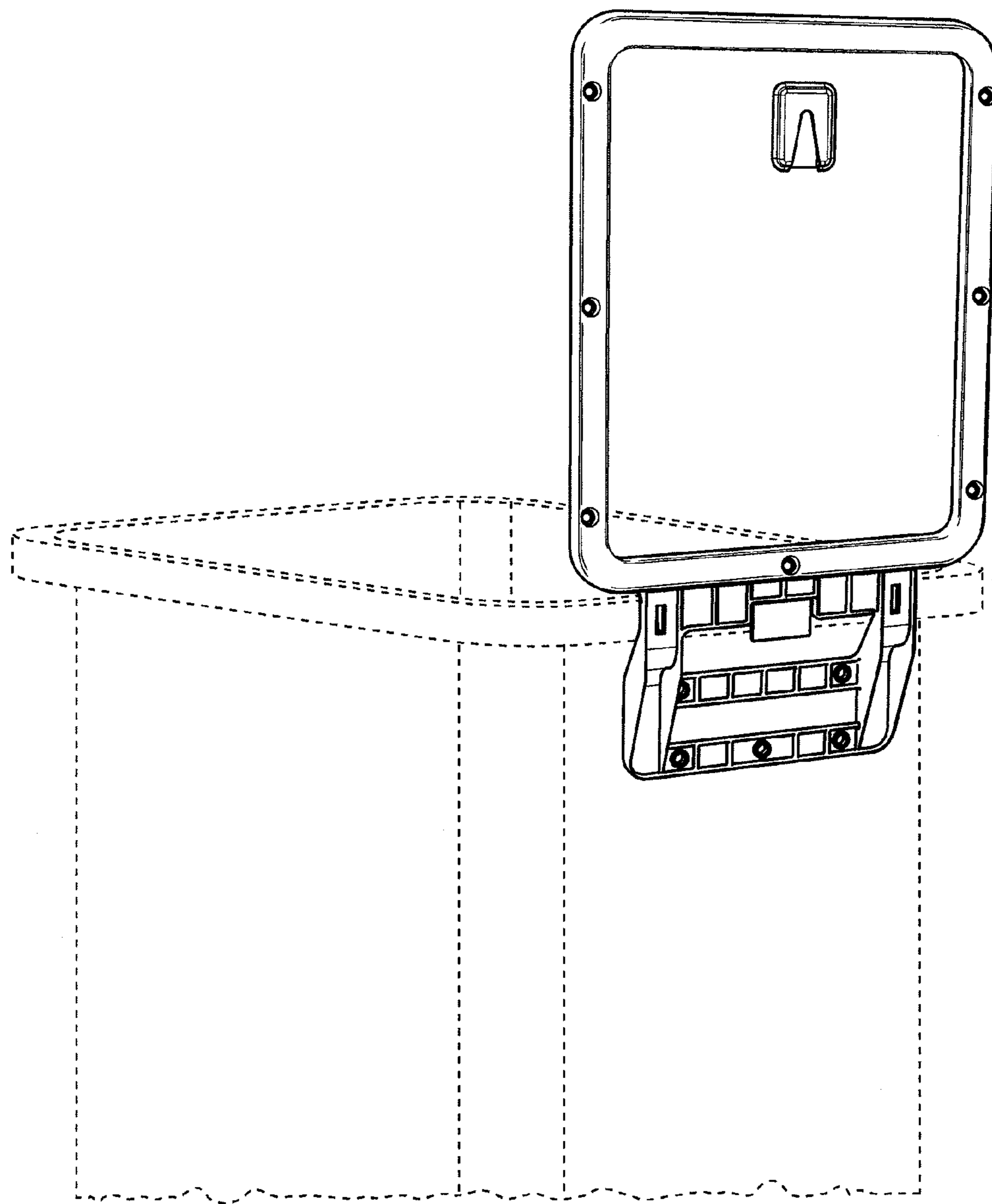


FIG. 9