



US00D670765S

(12) **United States Design Patent**
Bruegmann

(10) **Patent No.:** **US D670,765 S**

(45) **Date of Patent:** **** *Nov. 13, 2012**

(54) **HINGED LABEL HOLDER FOR WIRE SHELVING**

(75) Inventor: **Malte Bruegmann**, Houston, TX (US)

(73) Assignee: **Bruegmann USA, Inc.**, Houston, TX (US)

(*) Notice: This patent is subject to a terminal disclaimer.

(**) Term: **14 Years**

(21) Appl. No.: **29/390,536**

(22) Filed: **Apr. 26, 2011**

(51) **LOC (9) Cl.** **20-03**

(52) **U.S. Cl.** **D20/43**

(58) **Field of Classification Search** D20/10,
D20/43, 44, 99; 40/625, 642.01, 642.02,
40/644, 647, 649, 651-655, 658, 661, 661.01,
40/661.03, 661.06, 661.08; D25/119; 248/223.41,
248/489

See application file for complete search history.

(56) **References Cited**

U.S. PATENT DOCUMENTS

D443,311 S * 6/2001 Wildrick D20/43
D480,434 S * 10/2003 Brinkman et al. D20/43

7,089,695 B2 * 8/2006 Fast et al. 40/642.01
D546,892 S * 7/2007 Bruegmann D20/44
7,325,348 B2 * 2/2008 Mueller et al. 40/649
D579,984 S * 11/2008 Bruegmann et al. D20/43
7,699,286 B2 * 4/2010 Brinkman et al. 248/489
D650,019 S * 12/2011 Stuke D20/44
D651,257 S * 12/2011 Garfinkle D20/43
2005/0133676 A1 * 6/2005 Brinkman et al. 248/223.41
2005/0210726 A1 * 9/2005 Fast 40/661.03
2006/0070285 A1 * 4/2006 Grant 40/651
2006/0086027 A1 * 4/2006 Brinkman et al. 40/642.02
2009/0064554 A1 * 3/2009 Alves et al. 40/652

* cited by examiner

Primary Examiner — Mary Ann Calabrese

(74) *Attorney, Agent, or Firm* — Richard A. Fagin

(57) **CLAIM**

The ornamental design for a hinged label holder for wire shelving, as shown and described.

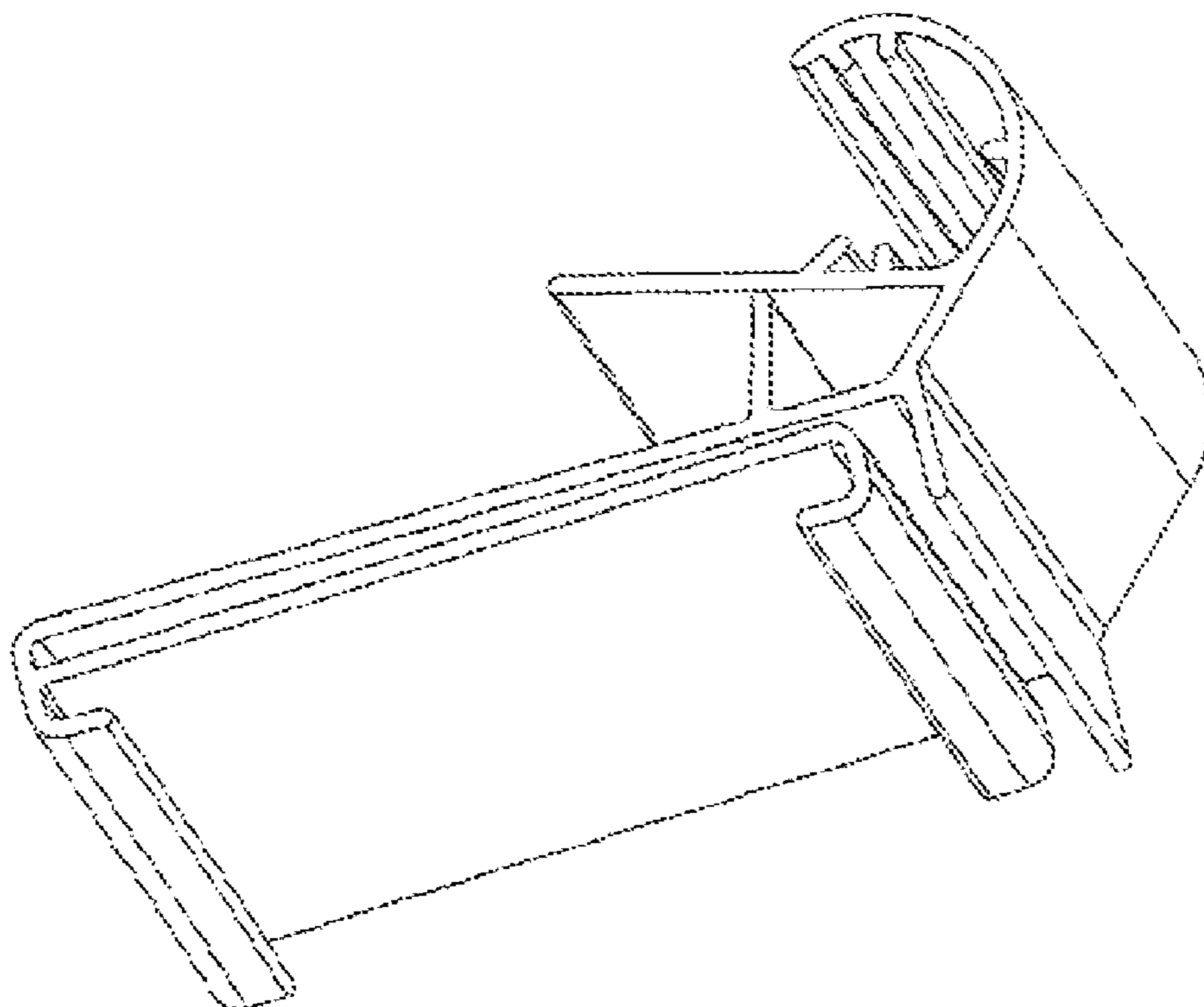
DESCRIPTION

FIG. 1 is an oblique view of the hinged label holder for wire shelving showing in the foreground the portion where a label is affixed.

FIG. 2 is an oblique view of the hinged label holder for wire shelving from a direction opposite to the view shown in FIG. 1; and,

FIG. 3 is a side view of the hinged label holder for wire shelving.

1 Claim, 1 Drawing Sheet



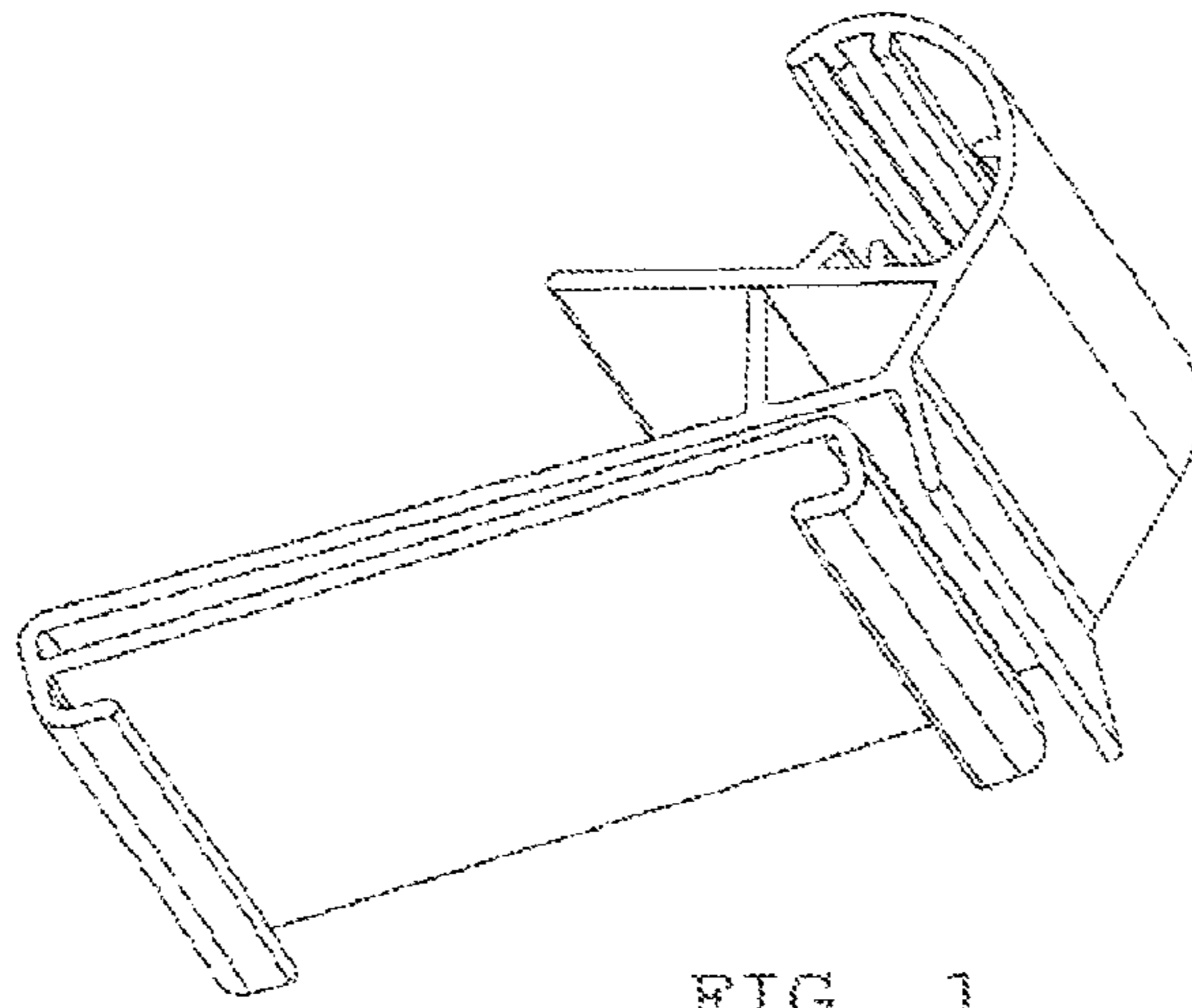


FIG. 1

FIG. 2

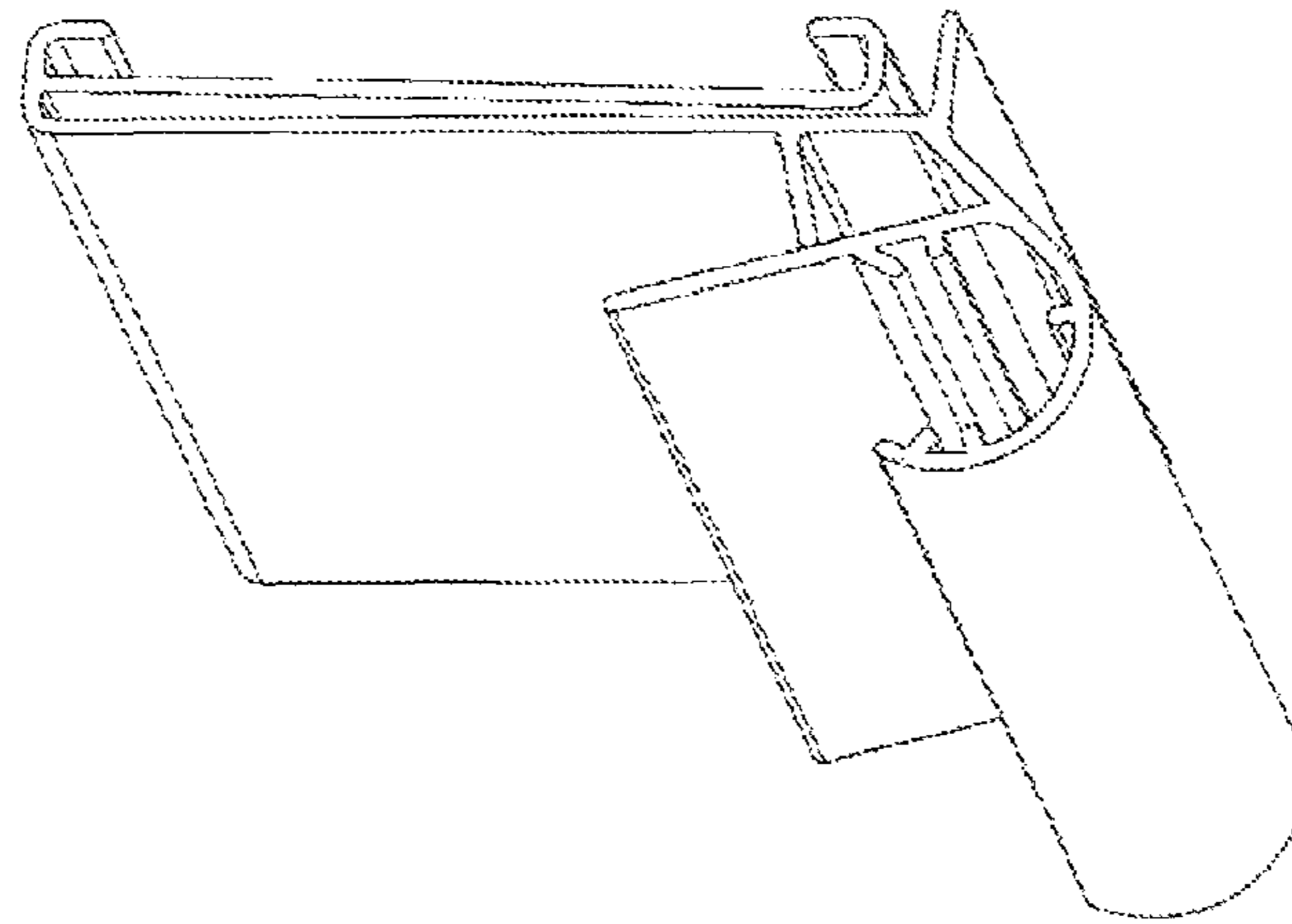


FIG. 3

