



US00D670764S

(12) **United States Design Patent**  
**Han**

(10) **Patent No.:** **US D670,764 S**

(45) **Date of Patent:** **\*\* Nov. 13, 2012**

(54) **PORTABLE LED ADVERTISEMENT BOARD**

(76) Inventor: **Jong Hwi Han**, Incheon (KR)

(\*\*) Term: **14 Years**

(21) Appl. No.: **29/415,596**

(22) Filed: **Mar. 12, 2012**

(51) **LOC (9) Cl.** ..... **20-03**

(52) **U.S. Cl.** ..... **D20/19; D20/42**

(58) **Field of Classification Search** ..... D20/10,  
D20/17, 19, 29, 39-43, 99; 40/446, 538,  
40/539, 541, 542, 544, 548, 549, 553, 564,  
40/568, 575, 584-586, 588, 589, 617, 618;  
D3/215, 216, 218; D29/101.1; 2/1; 224/627;  
361/679.27; 362/103, 108, 812  
See application file for complete search history.

(56) **References Cited**

**U.S. PATENT DOCUMENTS**

D289,305	S *	4/1987	Rutter	.....	D20/17
5,570,828	A *	11/1996	Lewis	.....	224/627
5,690,411	A *	11/1997	Jackman	.....	362/103
5,738,263	A *	4/1998	Lewis	.....	224/627
6,393,745	B1 *	5/2002	Miki	.....	40/586

D501,078	S *	1/2005	Cabana	.....	D3/215
7,265,970	B2 *	9/2007	Jordan	.....	361/679.27
7,448,154	B1 *	11/2008	Kludt	.....	40/446
D590,890	S *	4/2009	King et al.	.....	D20/39
2009/0178314	A1 *	7/2009	Nguyen	.....	40/446
2010/0050485	A1 *	3/2010	Forte et al.	.....	40/1.5

\* cited by examiner

*Primary Examiner* — Mary Ann Calabrese

(74) *Attorney, Agent, or Firm* — Christopher Paul Mitchell

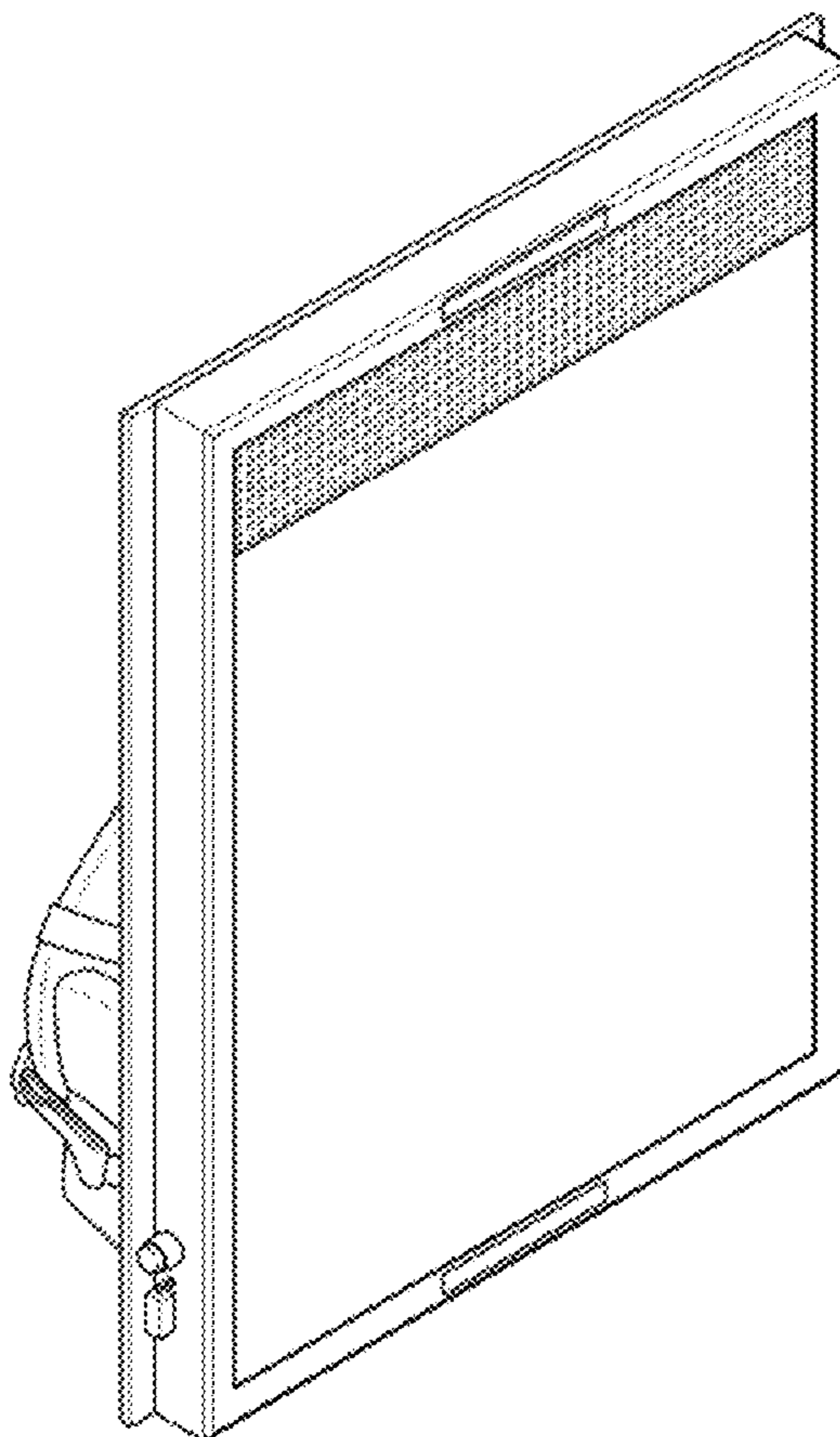
(57) **CLAIM**

The ornamental design for a portable LED advertisement board, as shown and described.

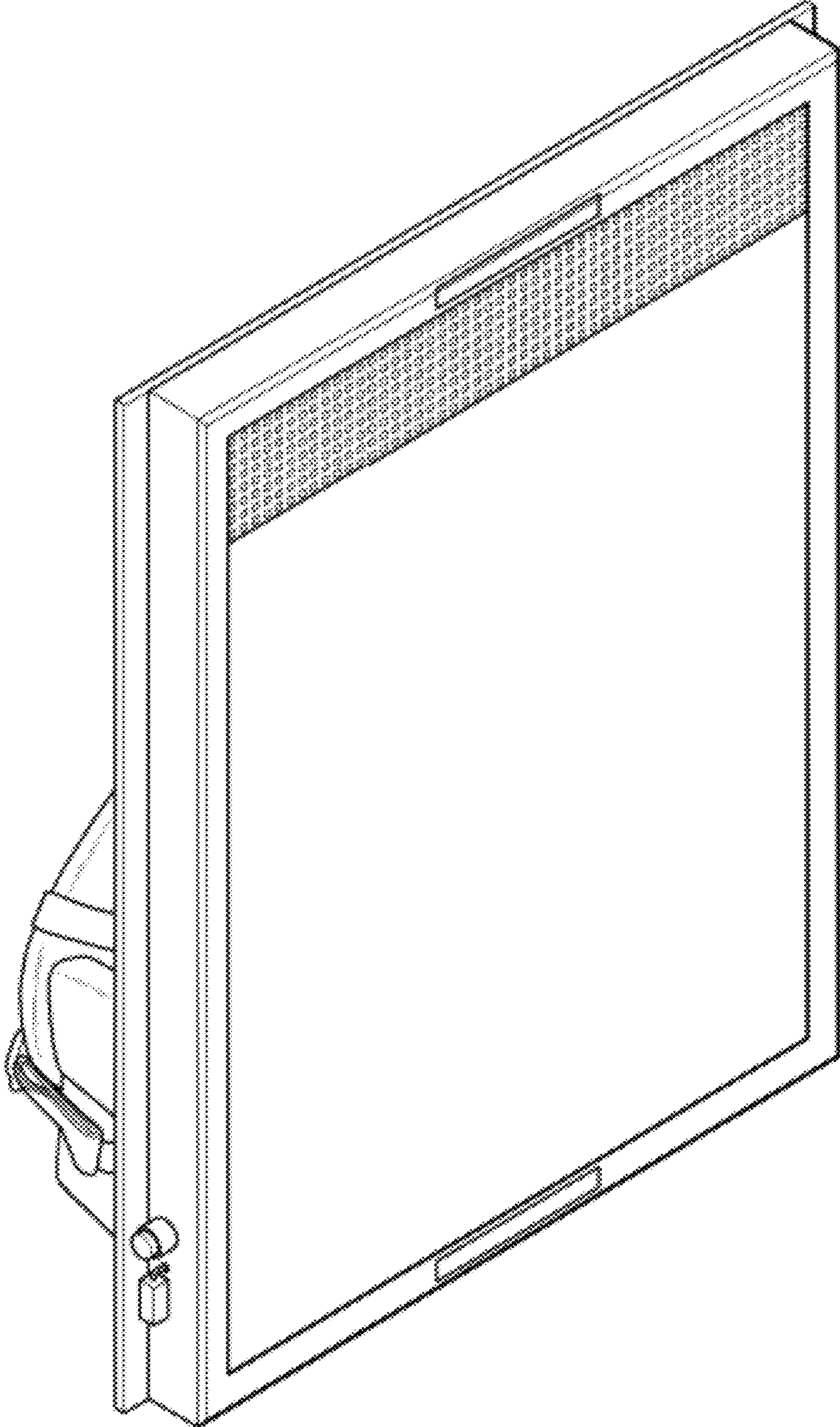
**DESCRIPTION**

FIG. 1 is a perspective view of an embodiment of a portable LED advertisement board showing my new design;  
FIG. 2 is a front view thereof;  
FIG. 3 is a rear view thereof;  
FIG. 4 is a left side view thereof;  
FIG. 5 is a right side view thereof;  
FIG. 6 is a plan view thereof;  
FIG. 7 is a bottom view thereof; and,  
FIG. 8 is a rear perspective view thereof.

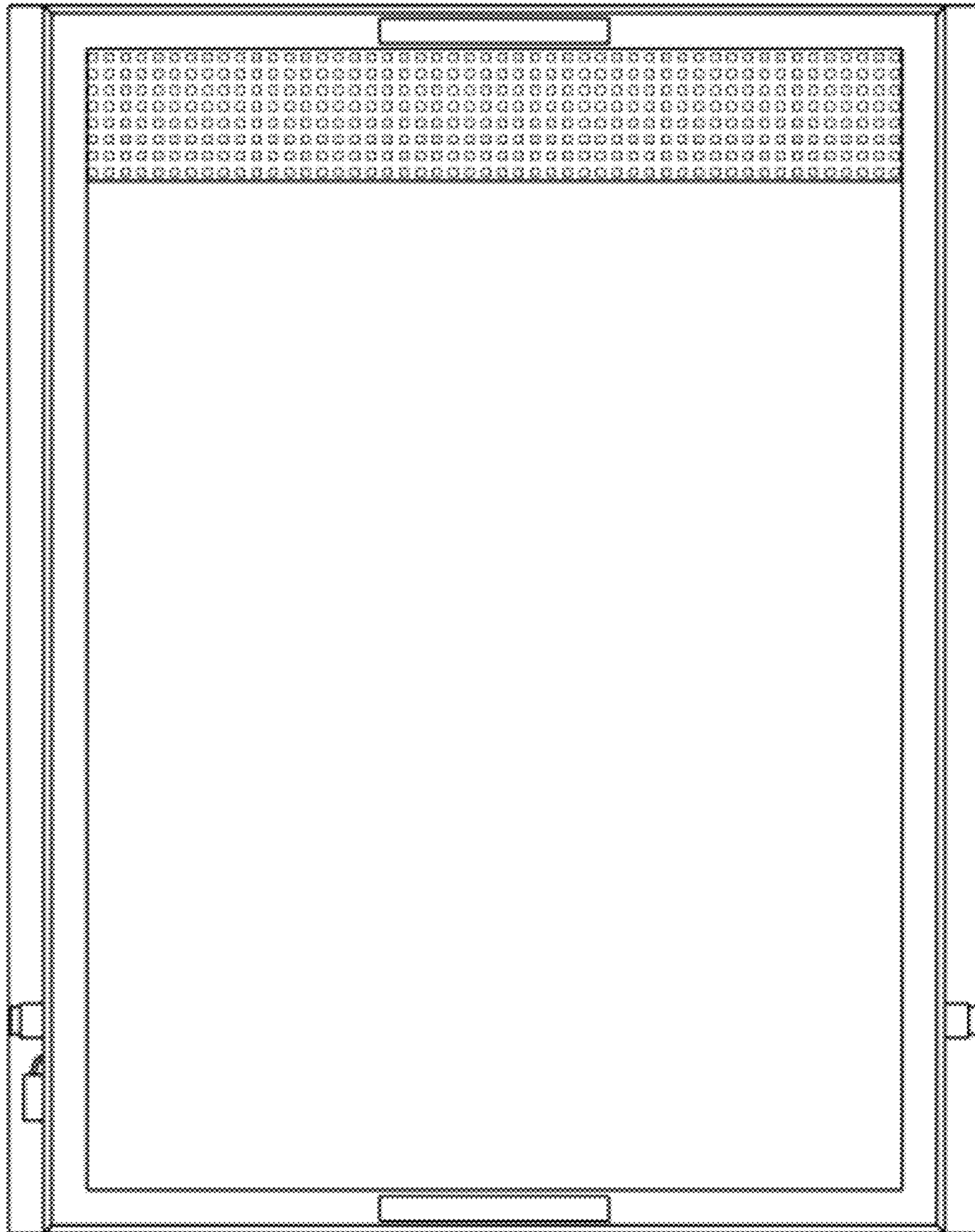
**1 Claim, 7 Drawing Sheets**



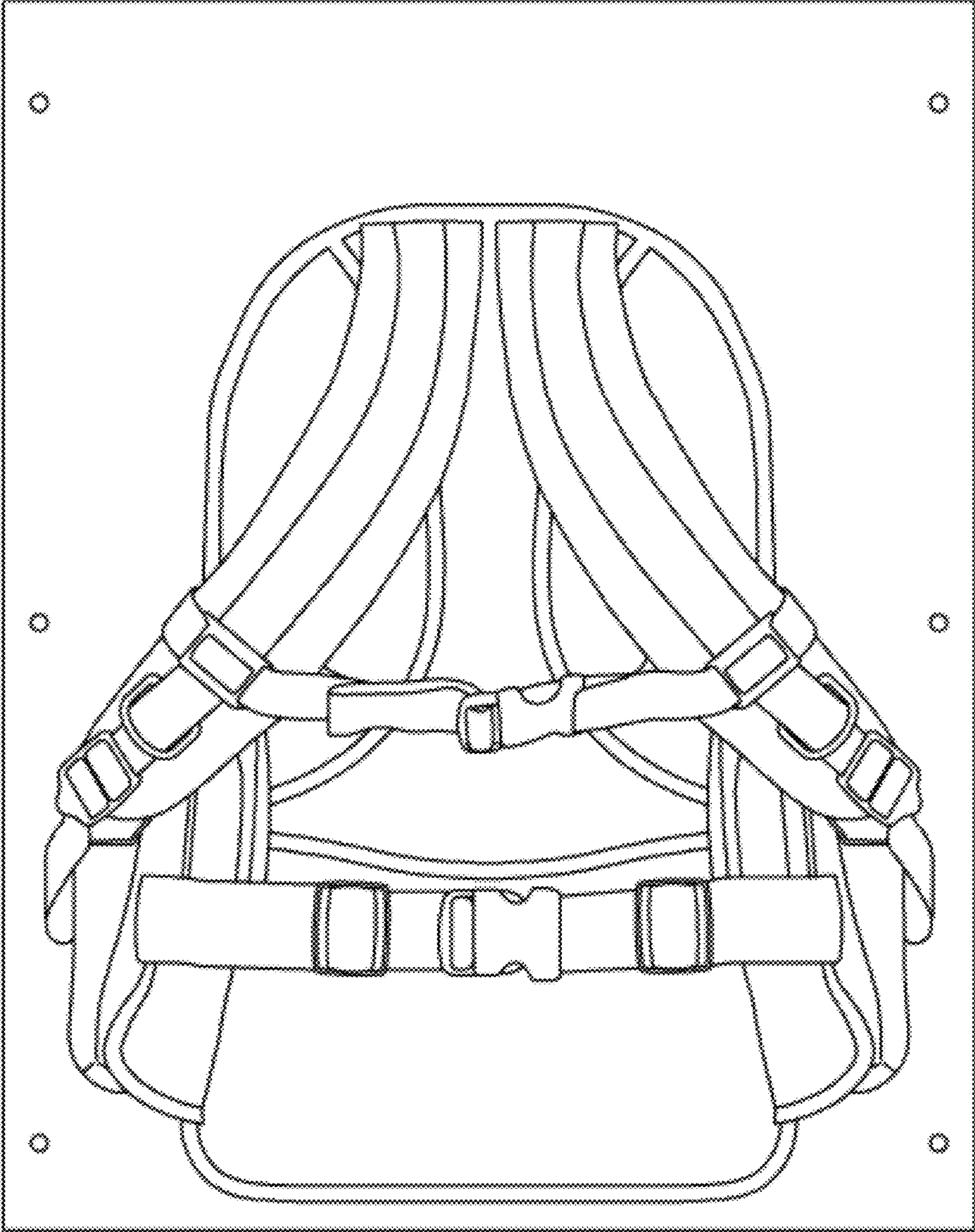
**FIG. 1**



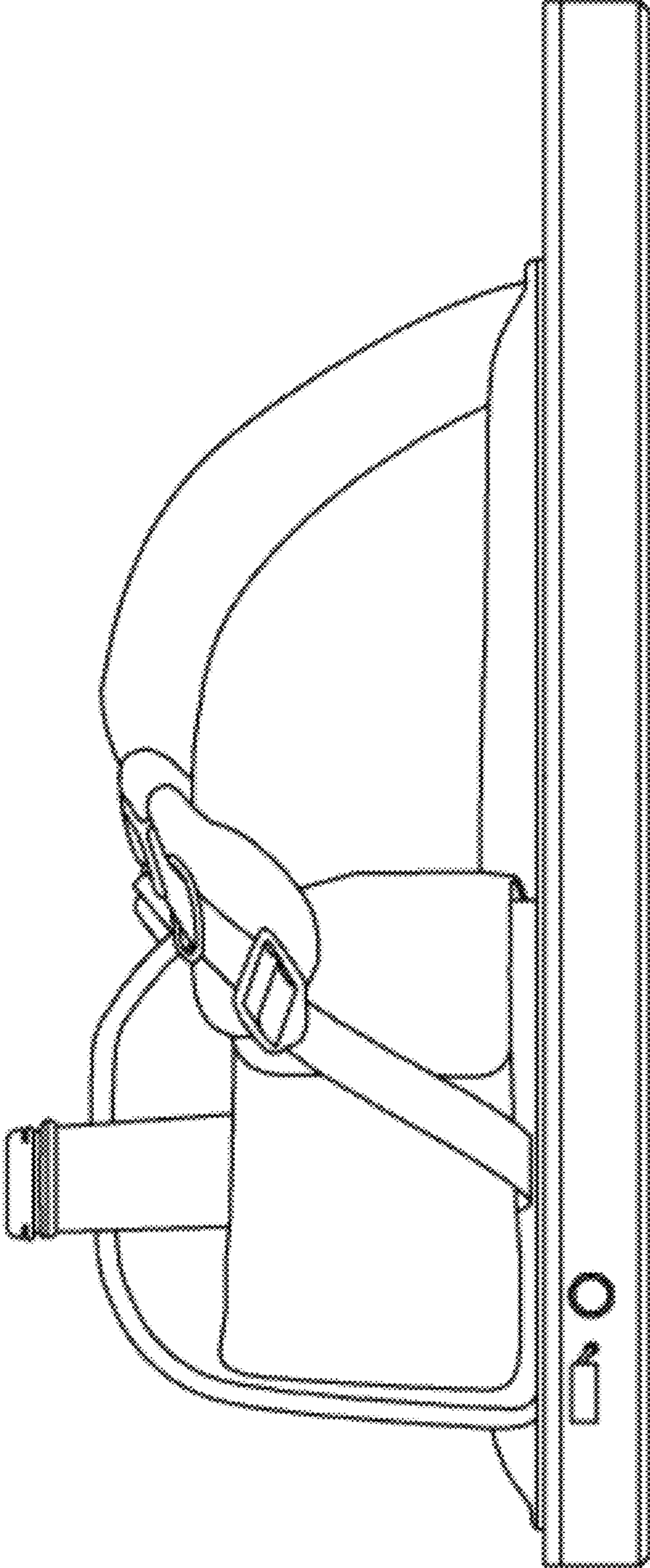
**FIG. 2**



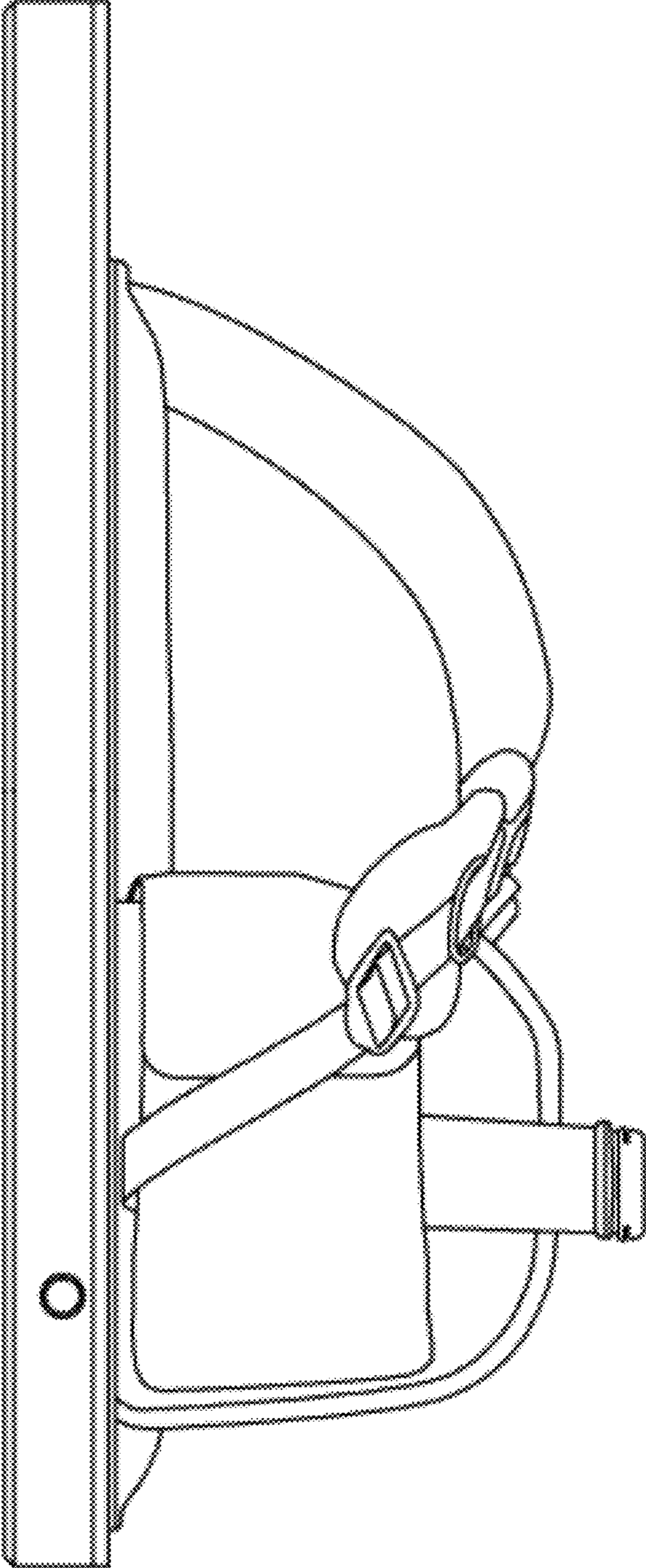
**FIG. 3**



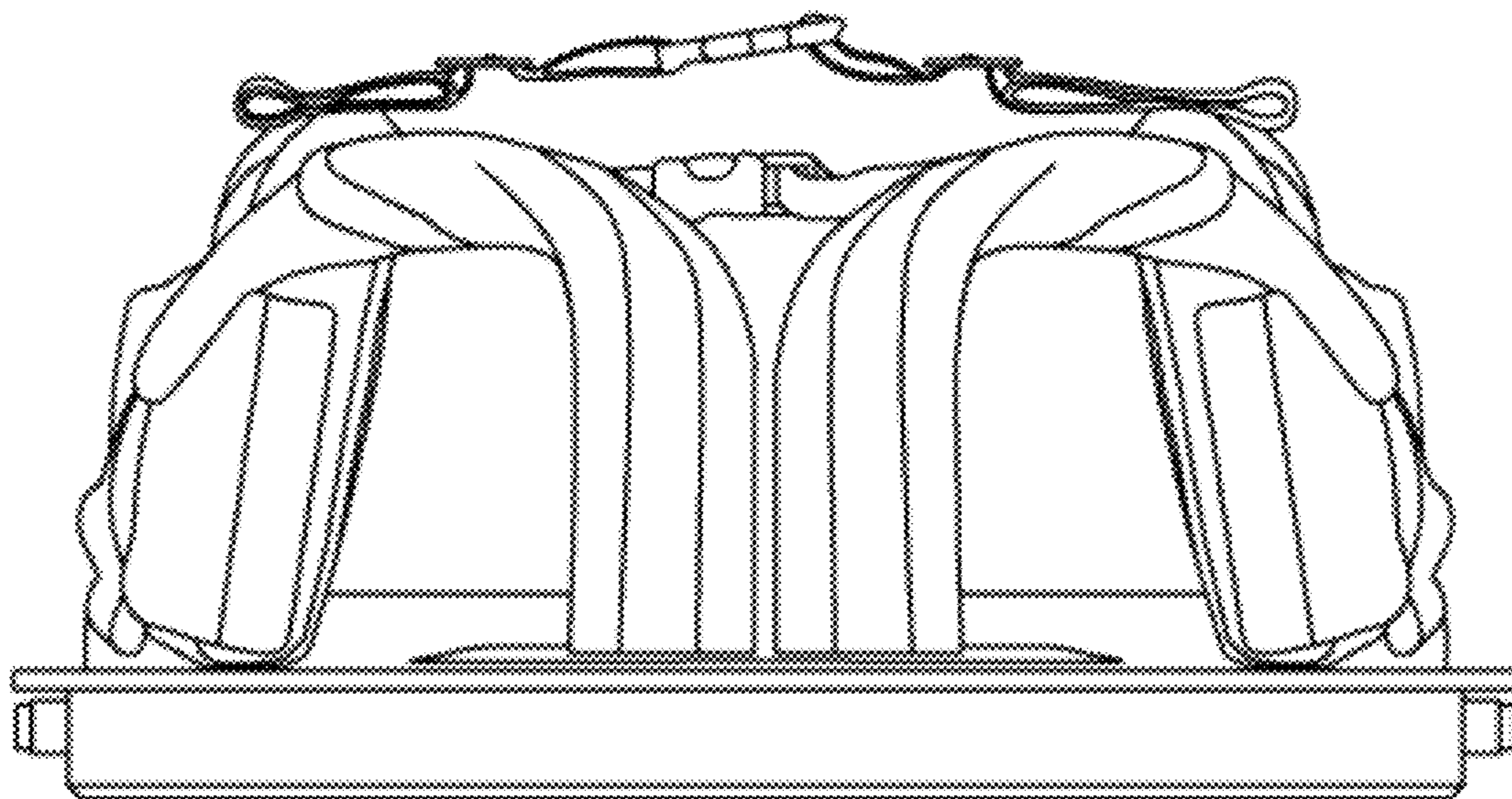
**FIG. 4**



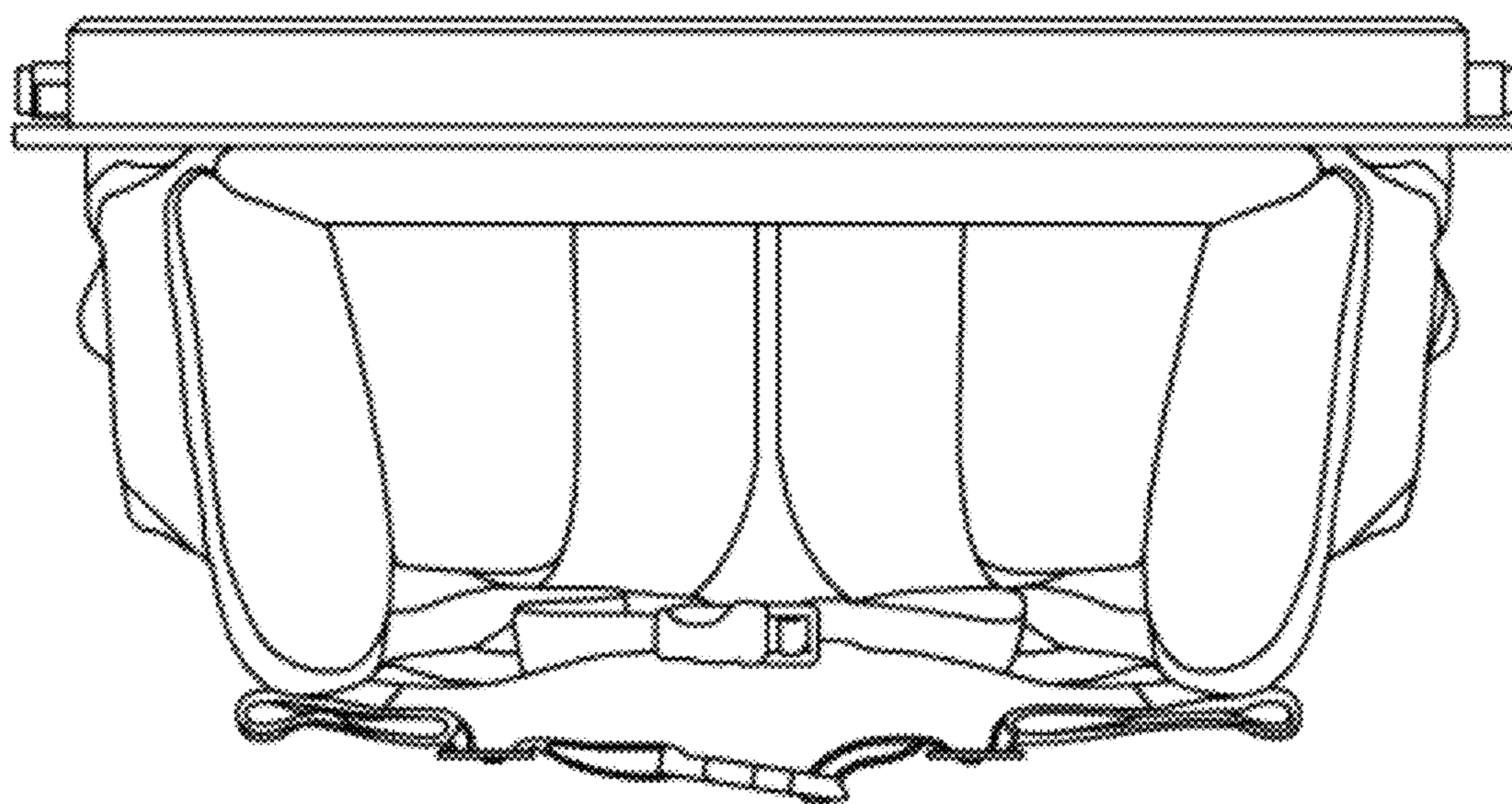
**FIG. 5**



**FIG. 6**



**FIG. 7**



**FIG. 8**

