



US00D670758S

(12) **United States Design Patent**
Chida

(10) **Patent No.:** **US D670,758 S**

(45) **Date of Patent:** **** Nov. 13, 2012**

(54) **PRINTER FOR ORDER ENTRY SYSTEM**

(75) Inventor: **Hiromi Chida**, Chiba (JP)

(73) Assignee: **Sii Data Service Corp.**, Chiba (JP)

(**) Term: **14 Years**

(21) Appl. No.: **29/381,759**

(22) Filed: **Dec. 22, 2010**

(30) **Foreign Application Priority Data**

Jun. 24, 2010 (JP) D2010-015507

(51) **LOC (9) Cl.** **14-02**

(52) **U.S. Cl.** **D18/50**

(58) **Field of Classification Search** D18/36-37,
D18/50, 54, 54.1, 55; D14/420-425, 462-470;
400/613, 613.1-613.4, 690.1-690.4, 691-694
See application file for complete search history.

(56) **References Cited**

U.S. PATENT DOCUMENTS

4,996,539 A * 2/1991 Haraga et al. 347/192
D325,927 S * 5/1992 Fushiya D18/54
D470,884 S * 2/2003 Gotham et al. D18/55
D474,805 S * 5/2003 Gotham et al. D18/50

D544,530 S * 6/2007 Omuro et al. D18/50
D558,819 S * 1/2008 Kimura et al. D18/50
D559,900 S * 1/2008 Kimura et al. D18/50
D579,487 S * 10/2008 Yamada D18/50
D607,507 S * 1/2010 Kimura et al. D18/55
D636,018 S * 4/2011 Kimura et al. D18/50

* cited by examiner

Primary Examiner — Cathy A MacCormac

(74) *Attorney, Agent, or Firm* — Finnegan, Henderson, Farabow, Garrett & Dunner, L.L.P.

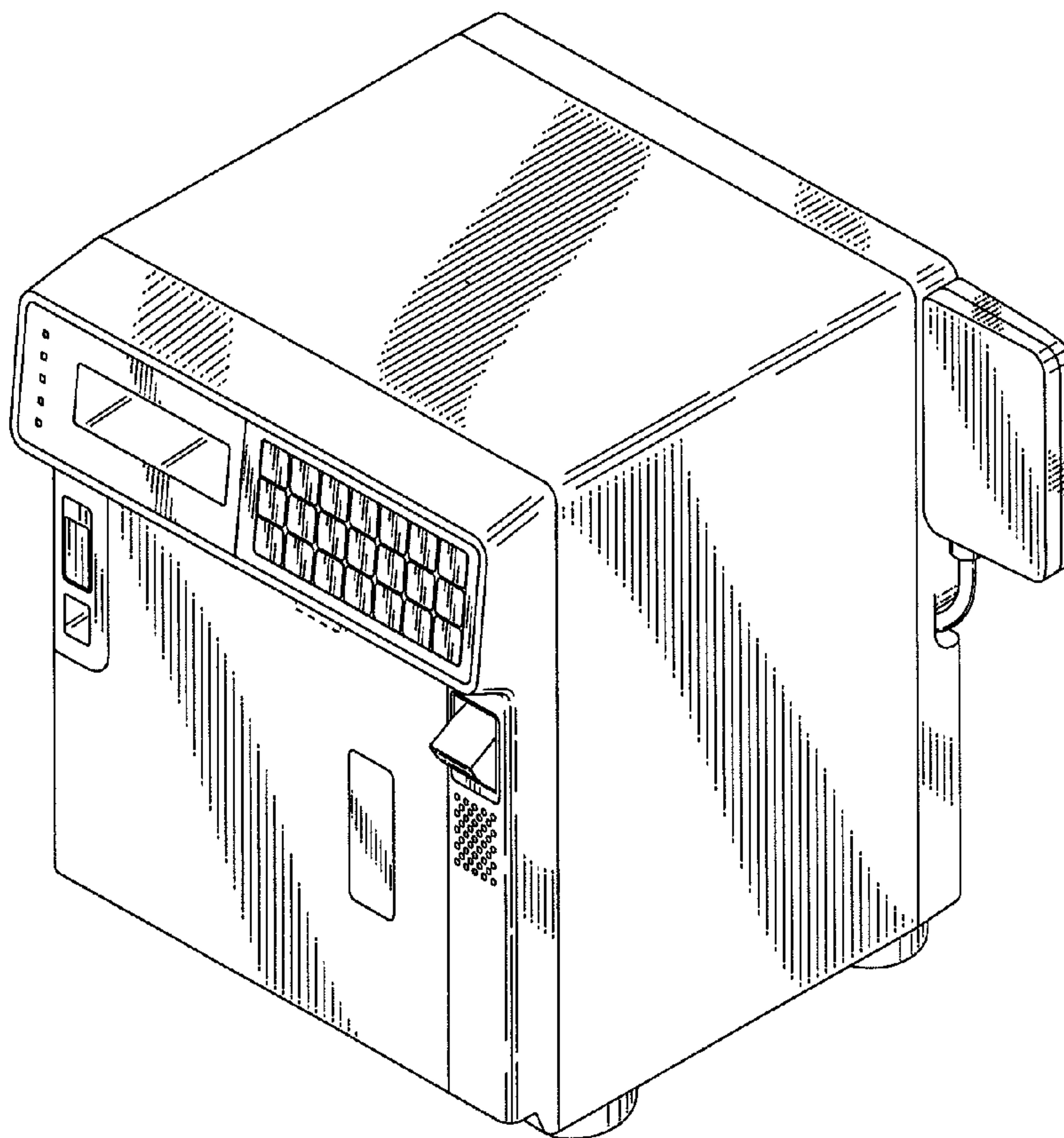
(57) **CLAIM**

The ornamental design for a printer for order entry system, as shown and described.

DESCRIPTION

FIG. 1 is a front view of a printer for order entry system showing my new design;
FIG. 2 is a rear view thereof;
FIG. 3 is a left side view thereof;
FIG. 4 is a right side view thereof;
FIG. 5 is a top plan view thereof;
FIG. 6 is a bottom view thereof; and,
FIG. 7 is a perspective view of front, top and right side thereof.

1 Claim, 4 Drawing Sheets



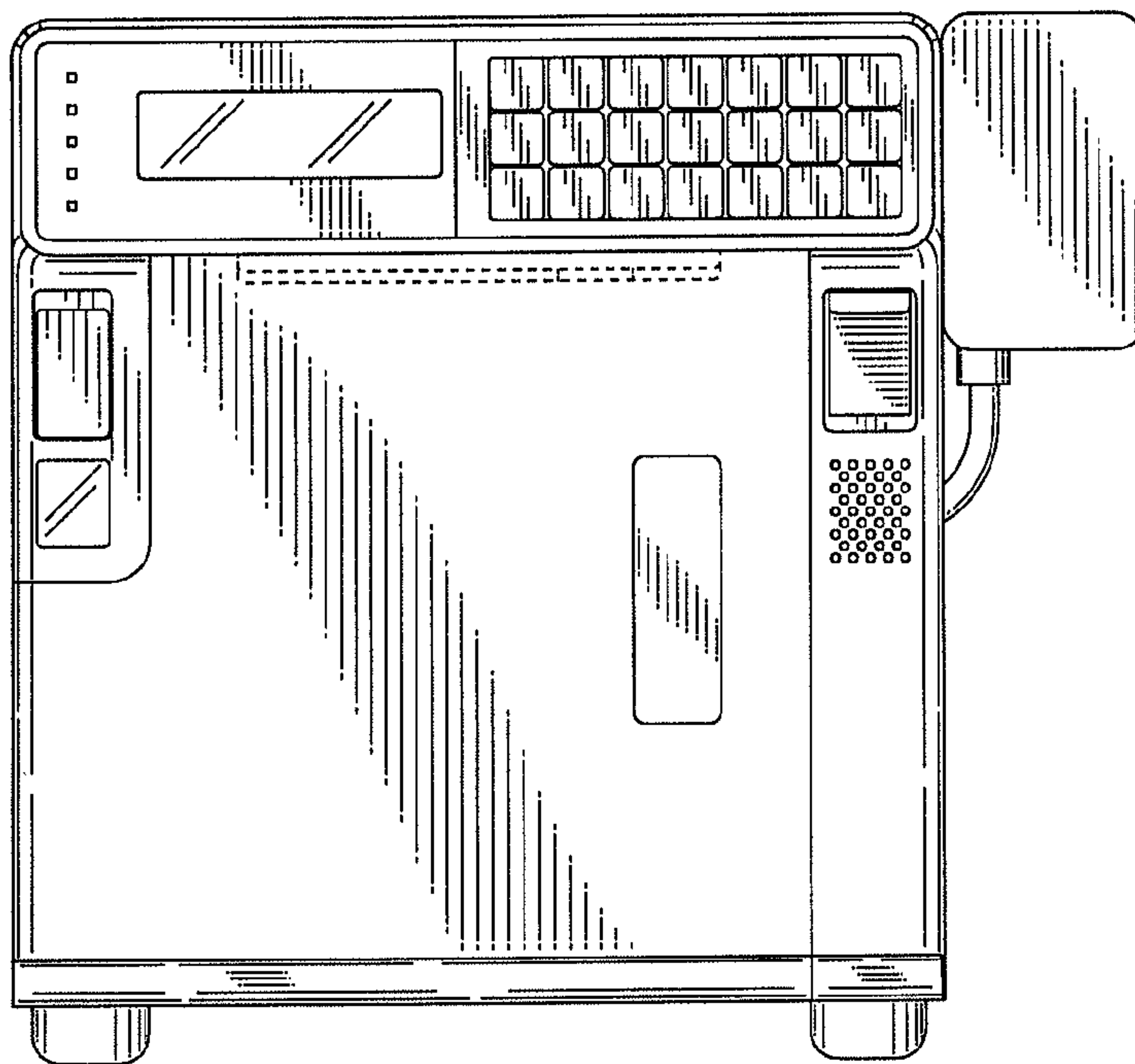


FIG. 1

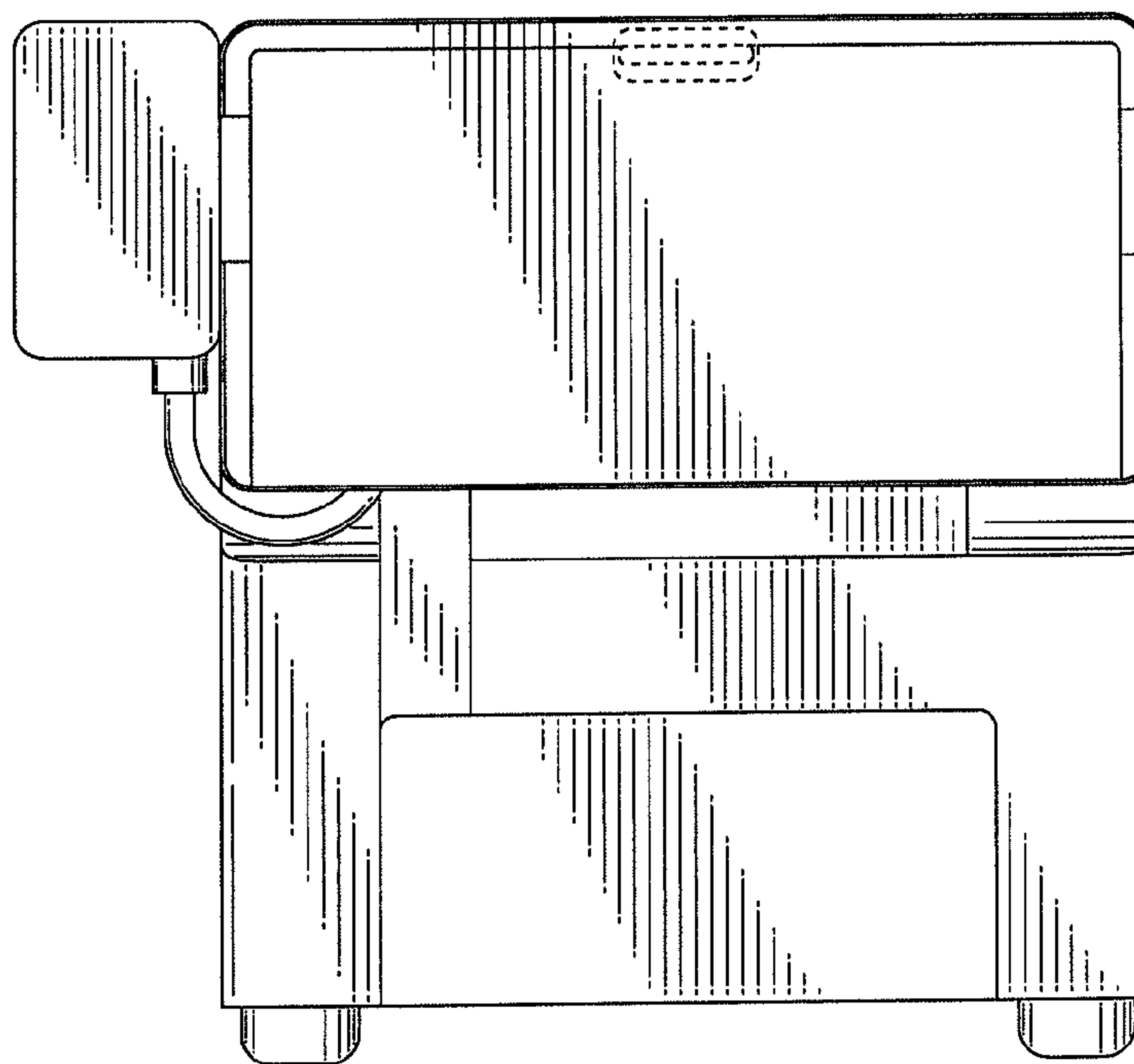


FIG. 2

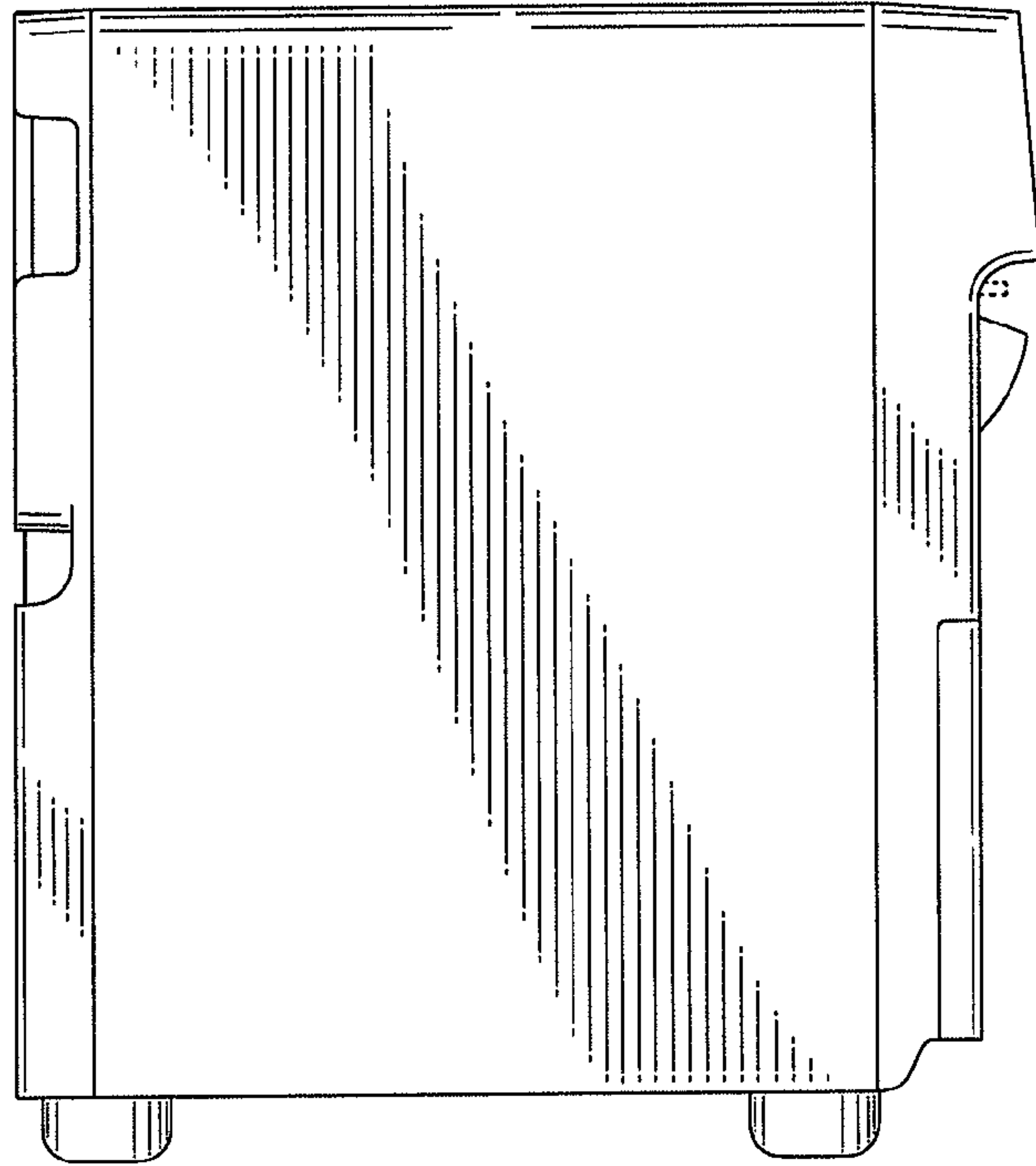


FIG. 3

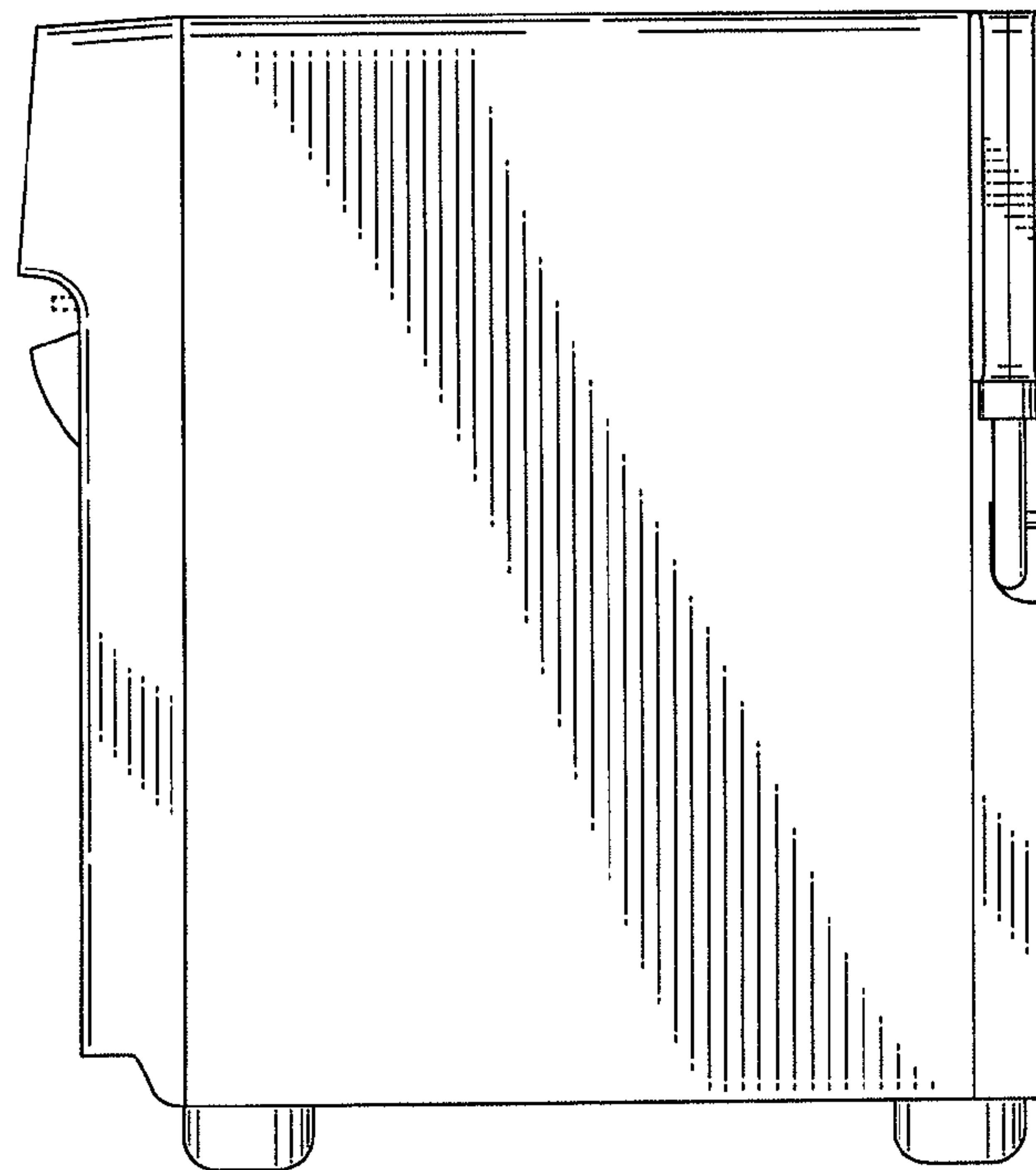


FIG. 4

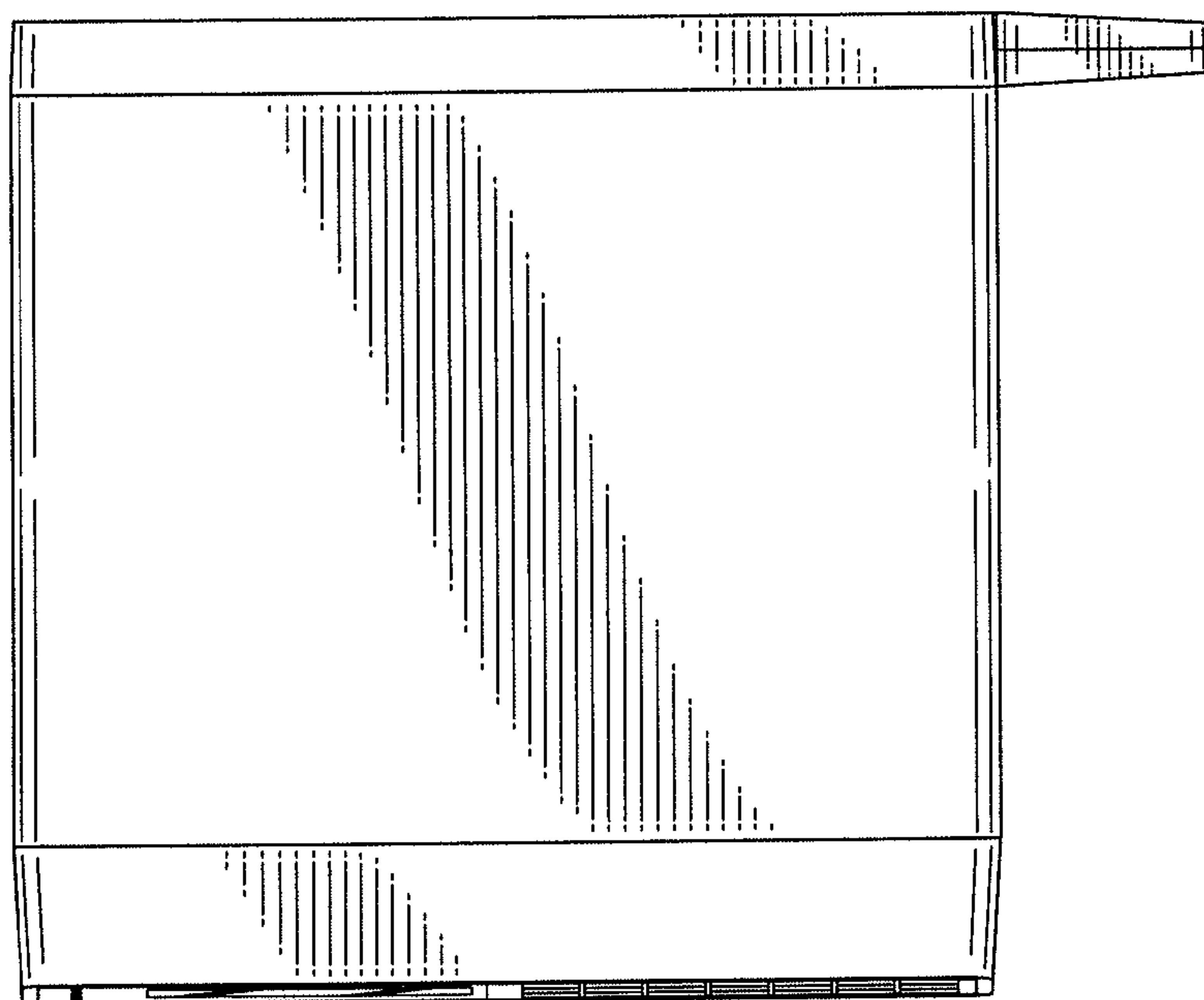


FIG. 5

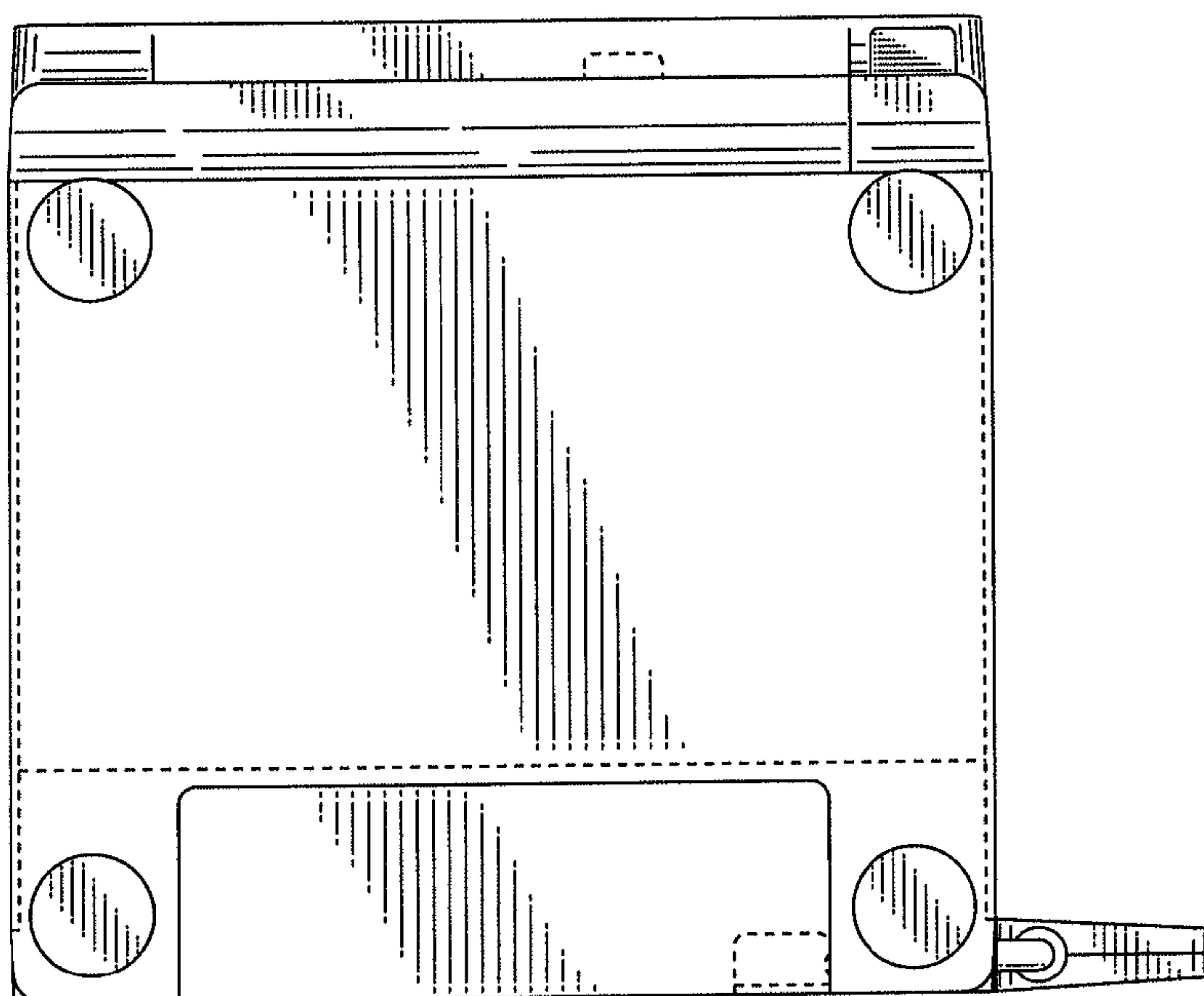


FIG. 6

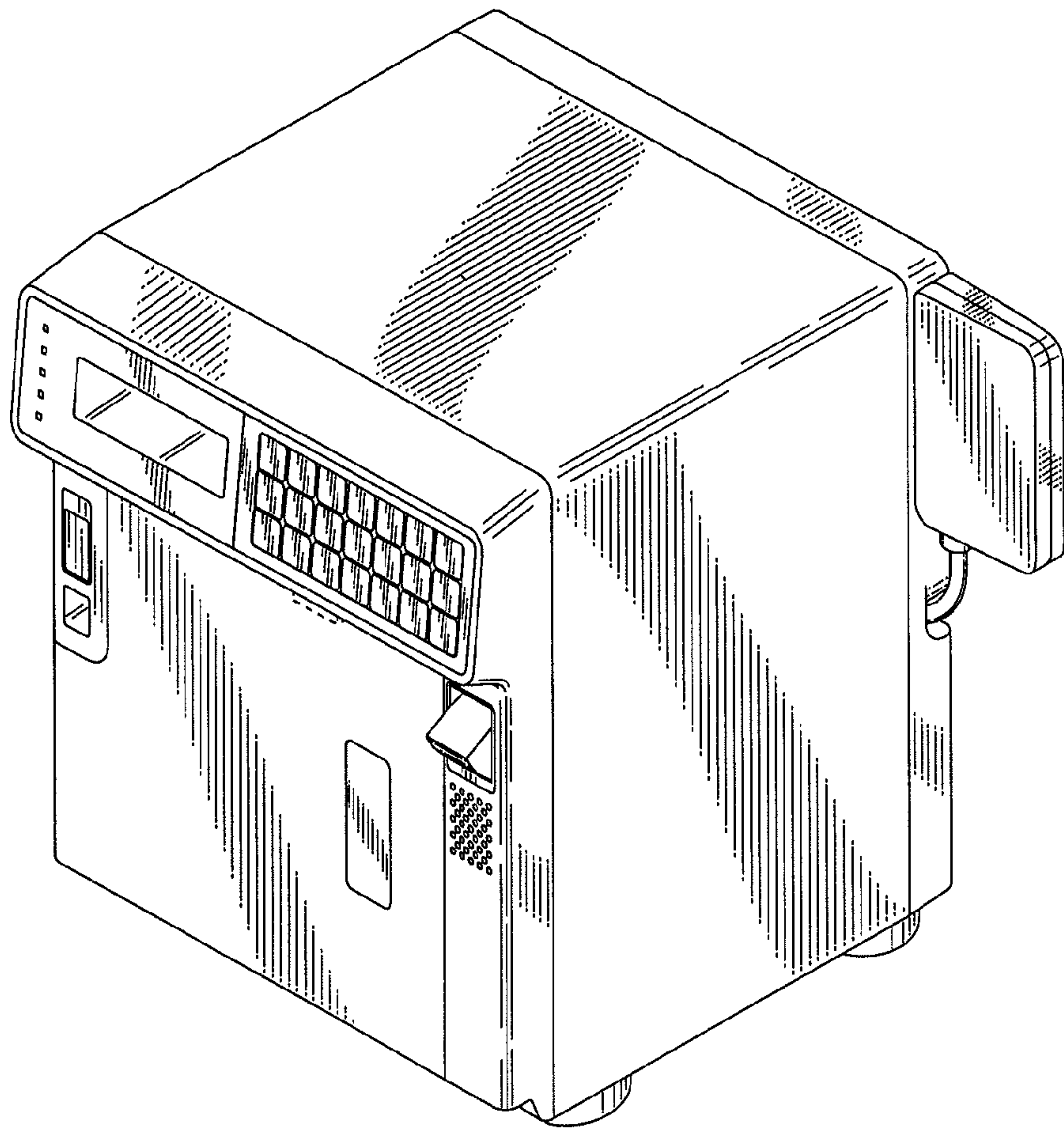


FIG. 7