



US00D670753S

(12) **United States Design Patent**  
**Chen**

(10) **Patent No.:** **US D670,753 S**

(45) **Date of Patent:** **\*\* Nov. 13, 2012**

(54) **PAIR OF SKIING GOGGLES**

(76) Inventor: **Chun-Nan Chen**, Tainan (TW)

(\*\*) Term: **14 Years**

(21) Appl. No.: **29/420,210**

(22) Filed: **May 7, 2012**

(51) **LOC (9) Cl.** ..... **16-06**

(52) **U.S. Cl.** ..... **D16/312**

(58) **Field of Classification Search** ..... D16/101,  
D16/300-342, 900; D29/109-110; D24/110.2;  
351/41, 44, 51-52, 62, 158, 92, 103-123,  
351/140, 153, 45-46; 2/426-432, 447-449,  
2/441, 434-437, 13, 15; D21/483, 659-661  
See application file for complete search history.

(56) **References Cited**

**U.S. PATENT DOCUMENTS**

D428,039 S *	7/2000	Thixton	.....	D16/312
D542,327 S *	5/2007	Hsu	.....	D16/312
D542,829 S *	5/2007	Hsu	.....	D16/312
D551,280 S *	9/2007	Li	.....	D16/312

D591,786 S *	5/2009	Wang	.....	D16/312
D592,694 S *	5/2009	Fuchs	.....	D16/312
D626,987 S *	11/2010	Yang	.....	D16/312

\* cited by examiner

*Primary Examiner* — Raphael Barkai

(74) *Attorney, Agent, or Firm* — Alan Kamrath; Kamrath IP Lawfirm, PA

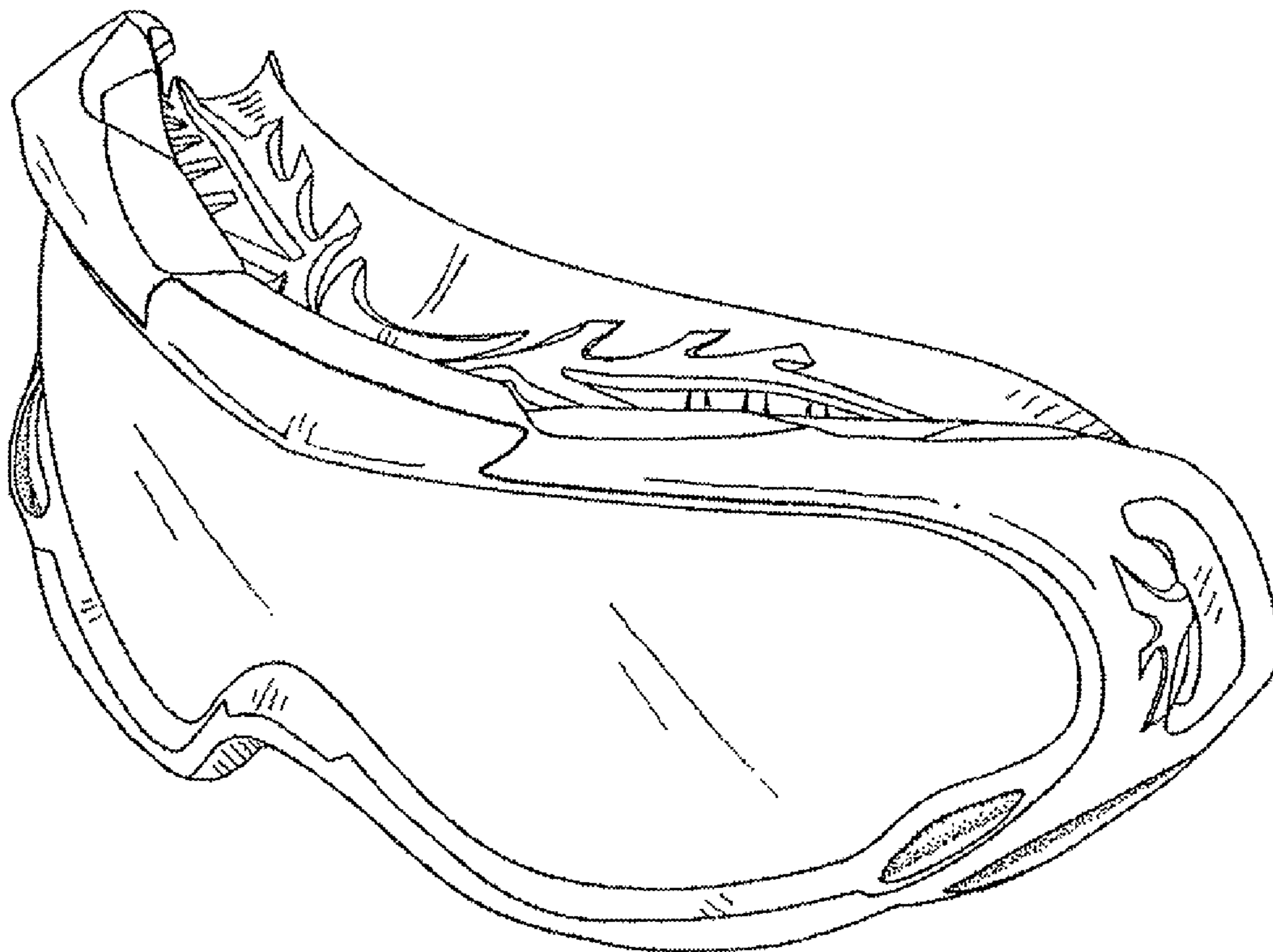
(57) **CLAIM**

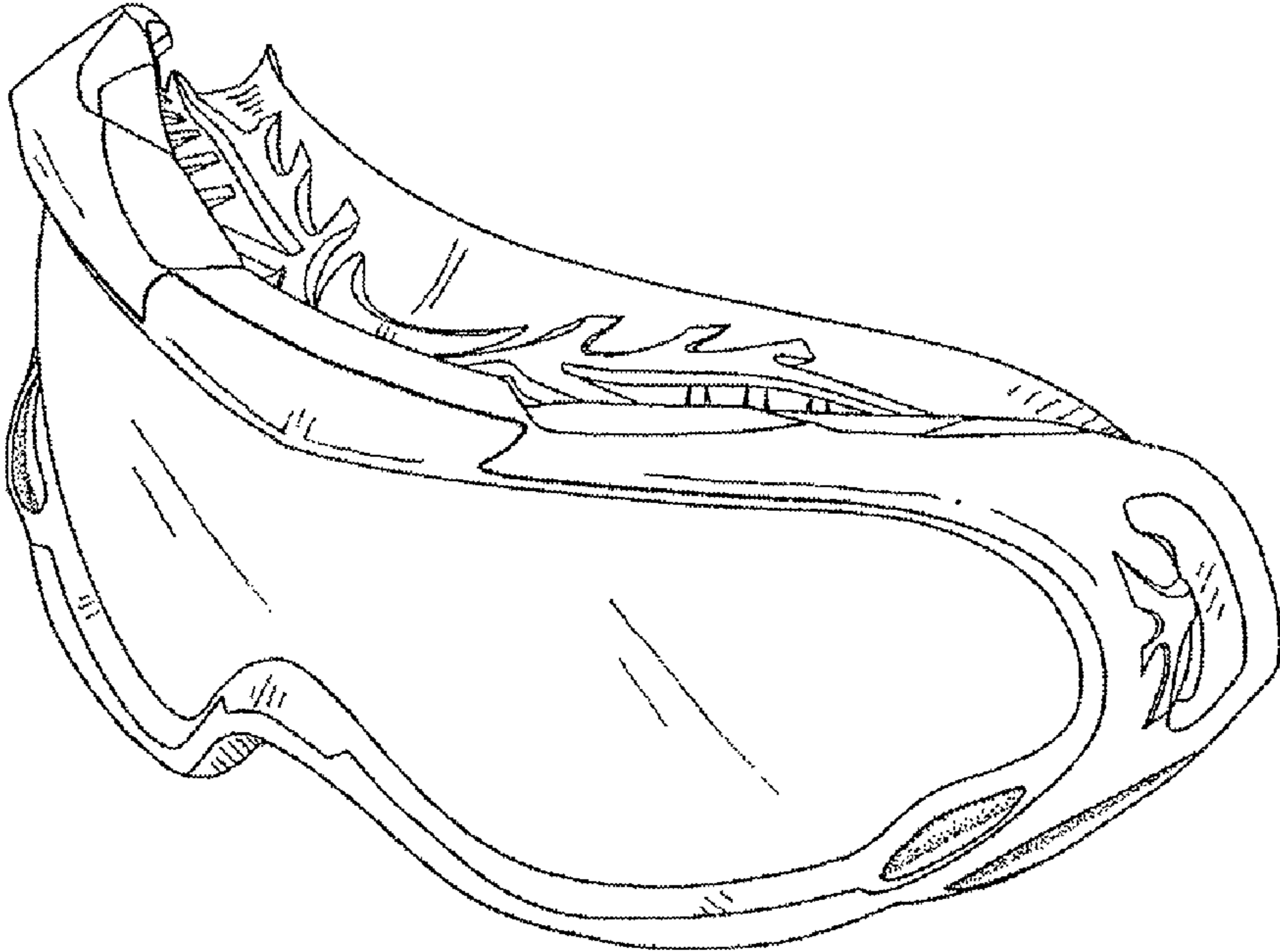
The ornamental design for a pair of skiing goggles, as shown and described.

**DESCRIPTION**

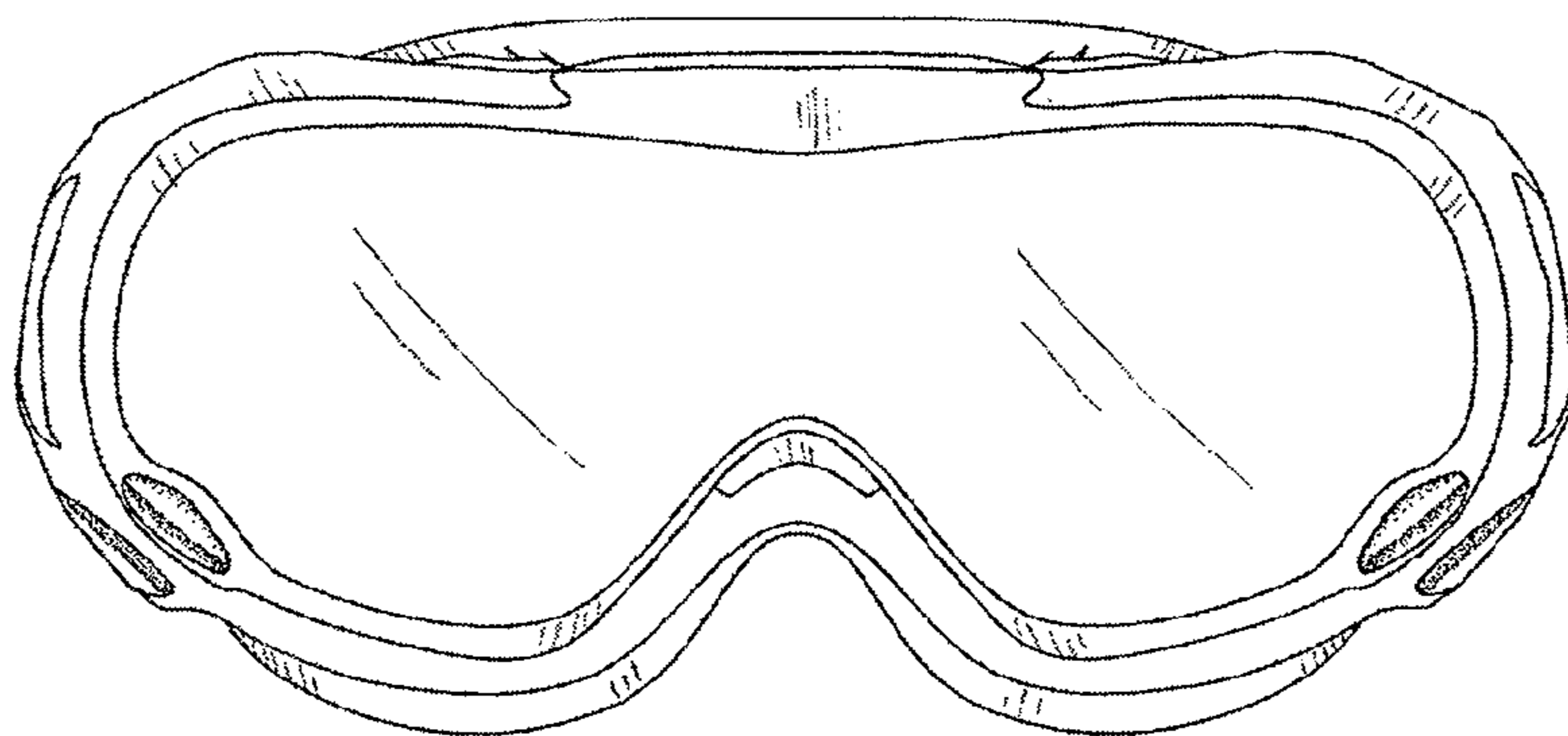
FIG. 1 is a perspective view of a pair of skiing goggles showing my design;  
FIG. 2 is a front elevational view thereof;  
FIG. 3 is a rear elevational view thereof;  
FIG. 4 is a left side elevational view thereof;  
FIG. 5 is a right side elevational view thereof;  
FIG. 6 is a top plan view thereof; and,  
FIG. 7 is a bottom plan view thereof.

**1 Claim, 4 Drawing Sheets**

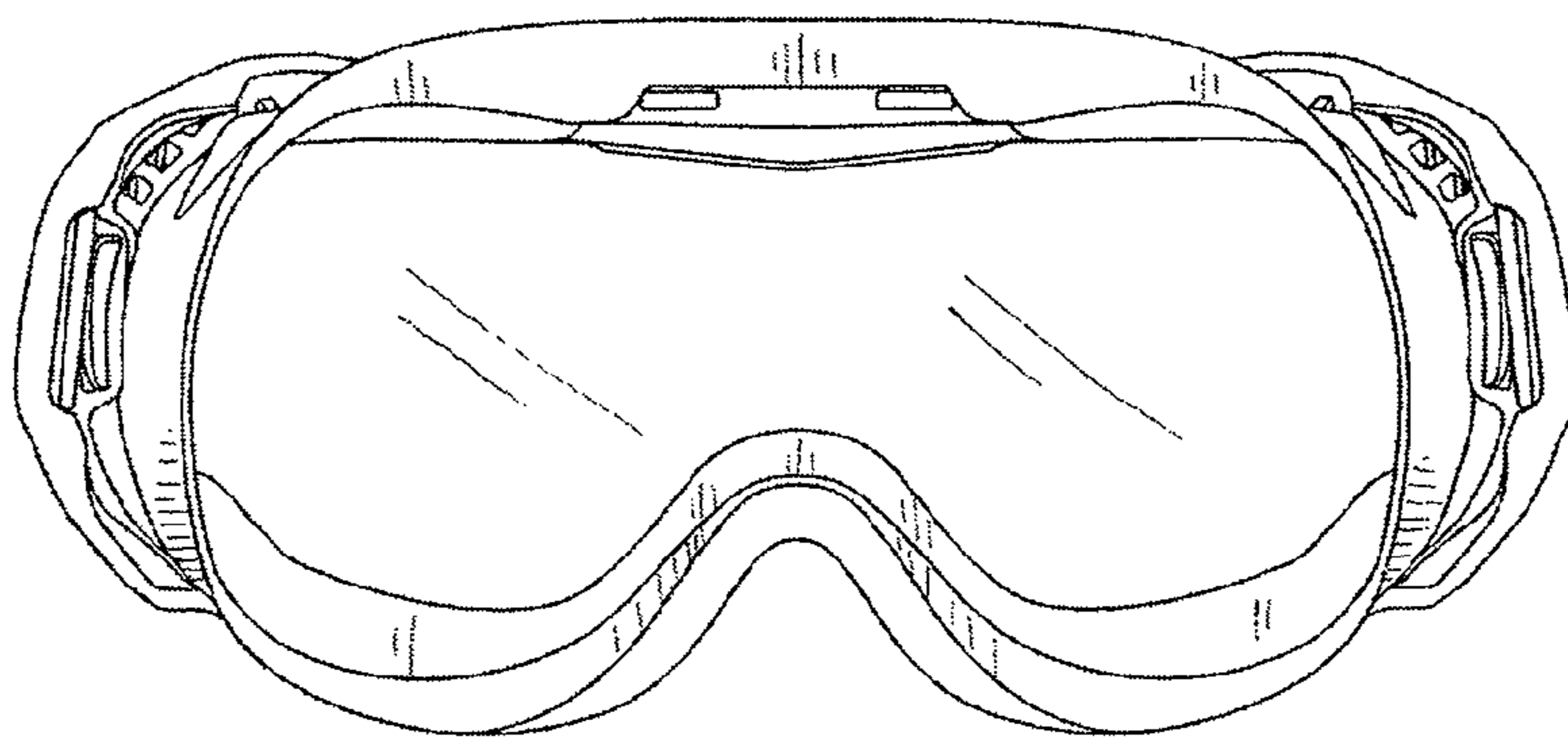




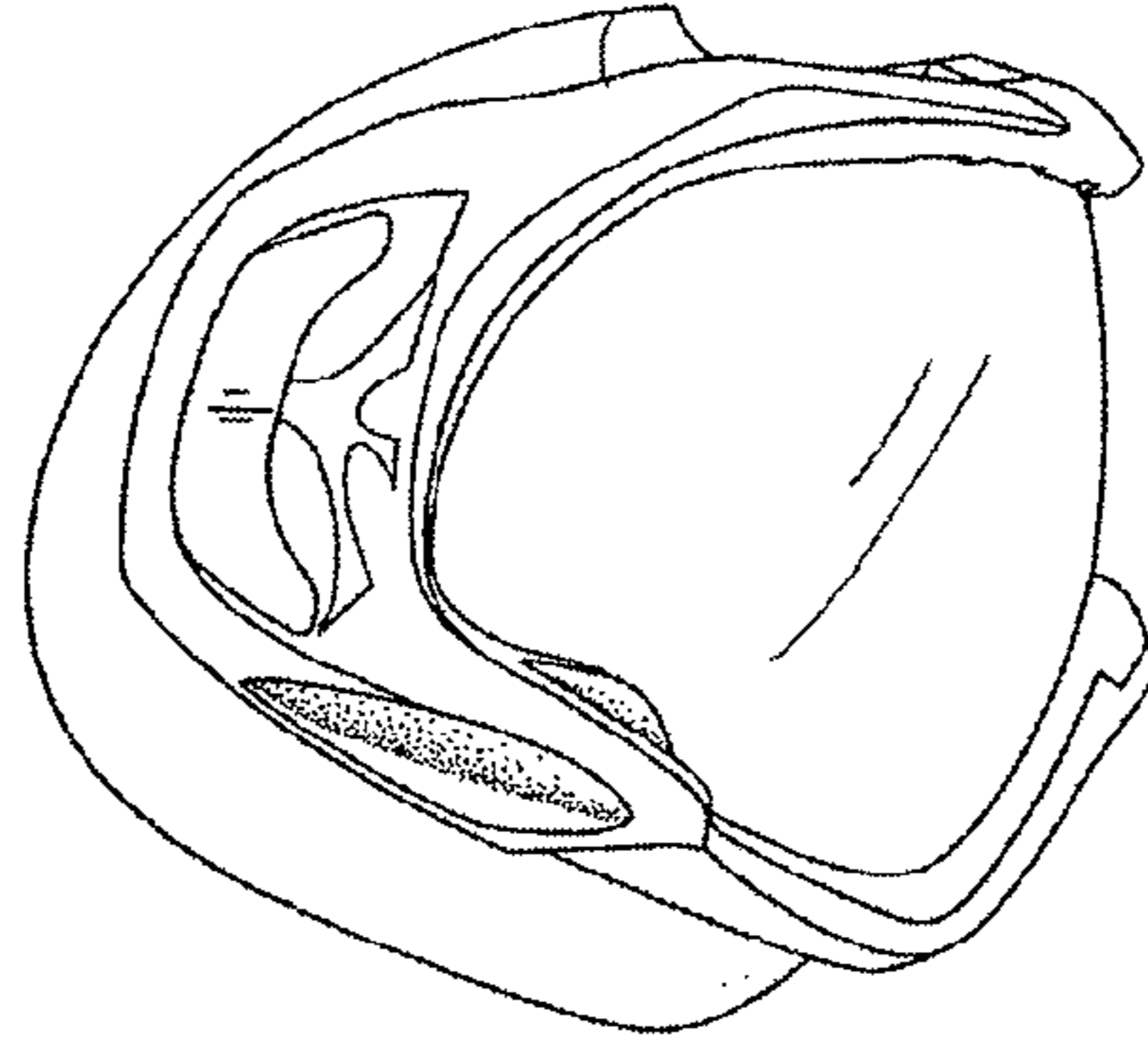
**FIG. 1**



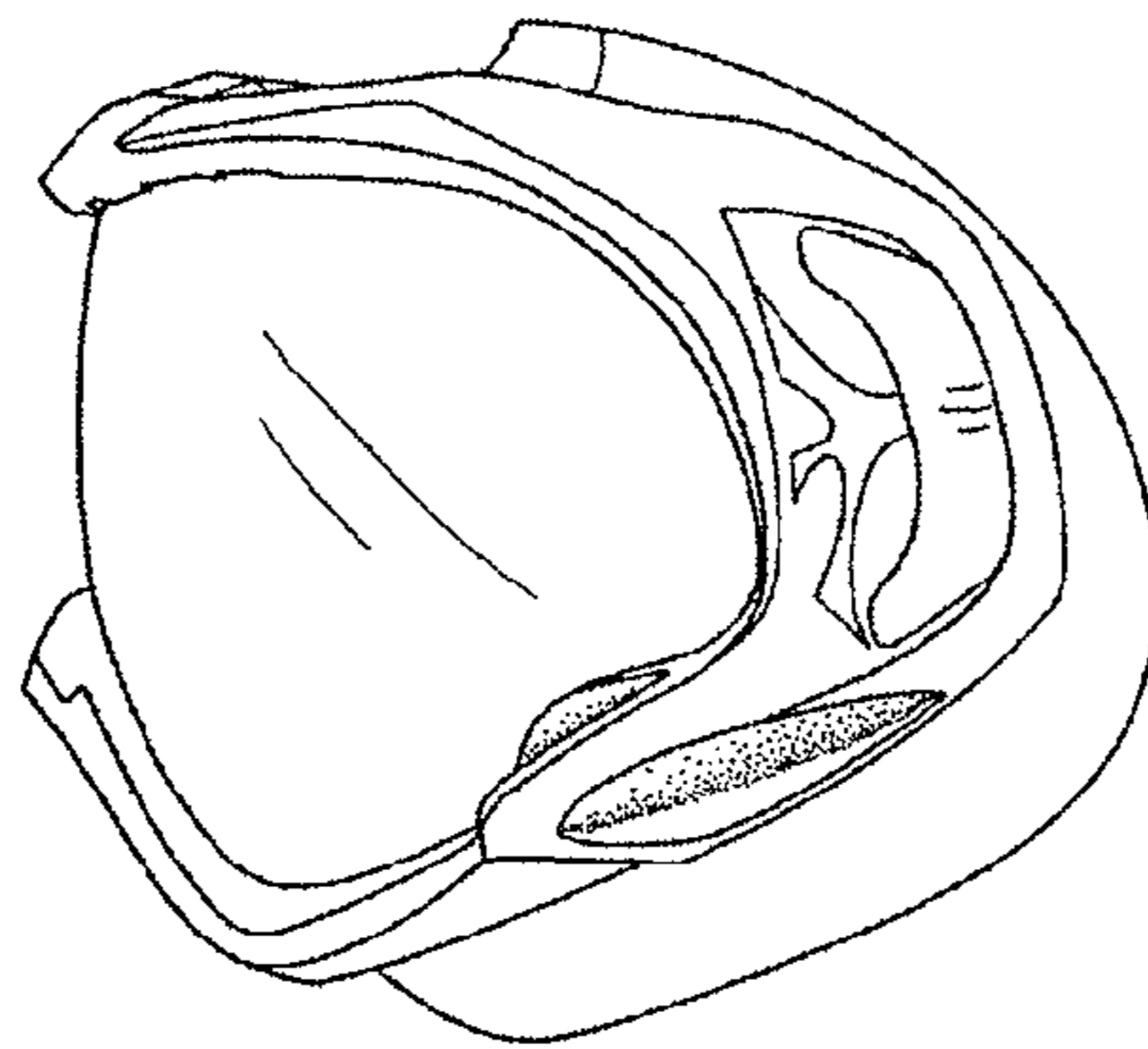
**FIG.2**



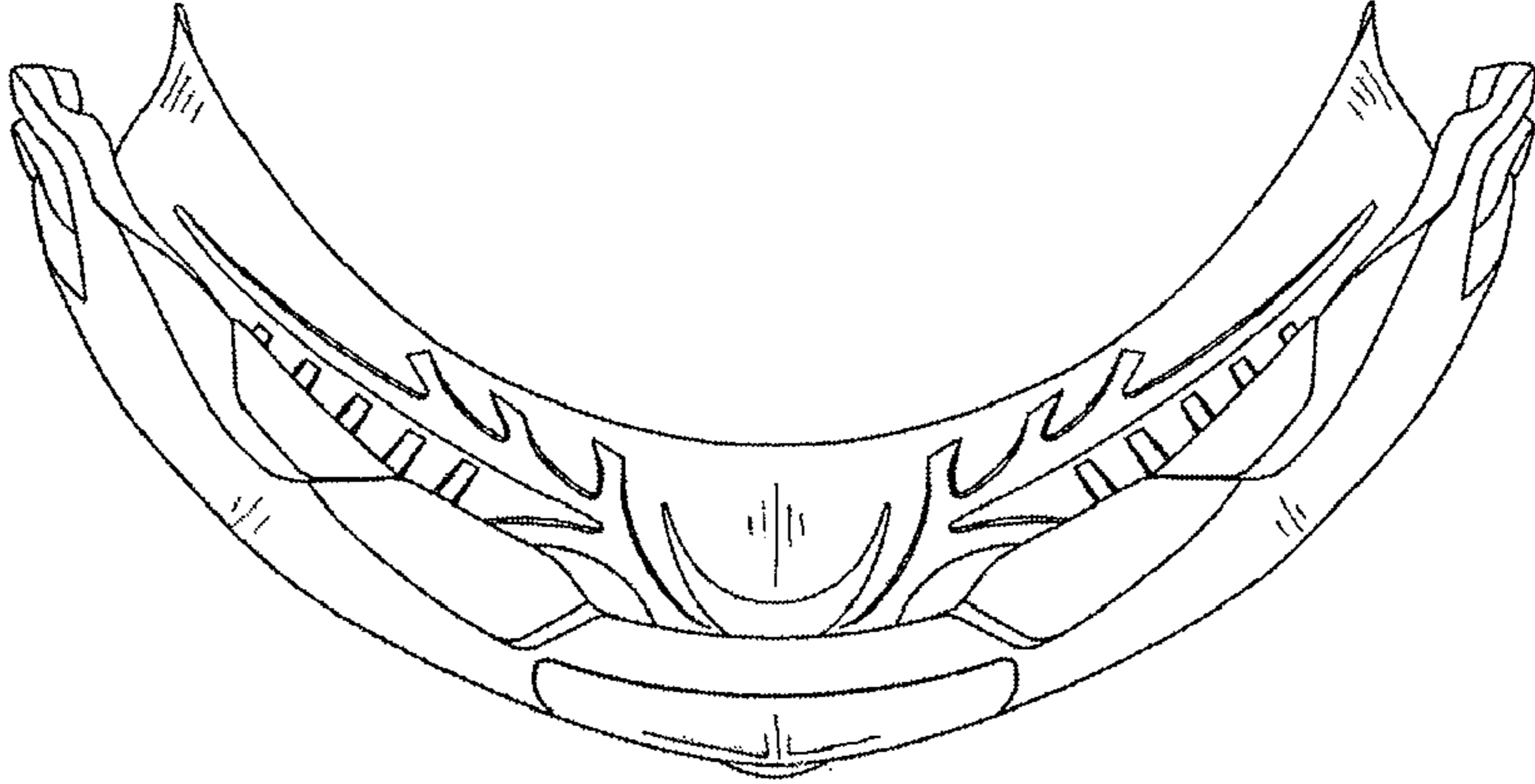
**FIG.3**



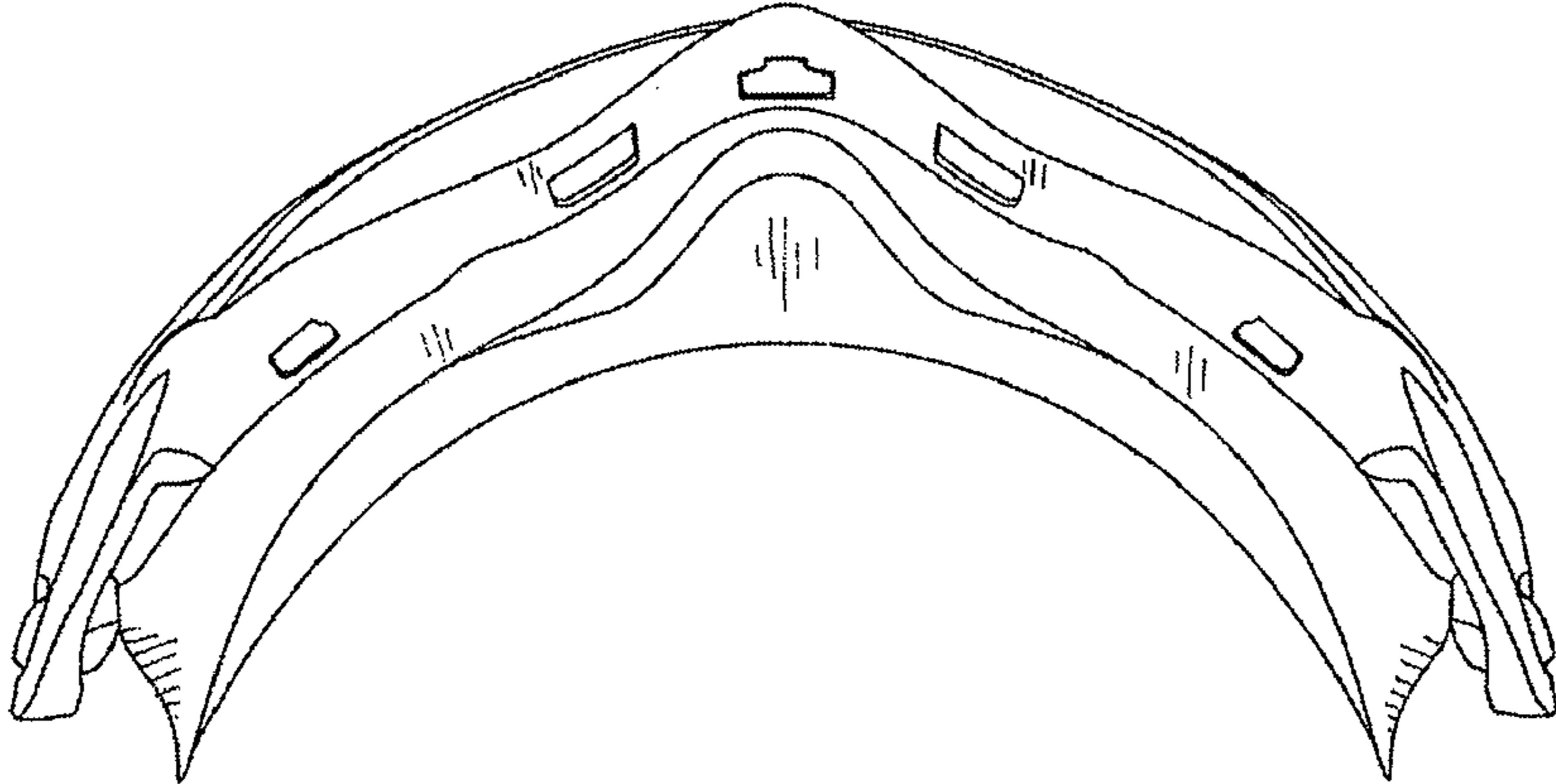
**FIG.4**



**FIG.5**



**FIG. 6**



**FIG. 7**