



US00D670752S

(12) **United States Design Patent**
Barber

(10) **Patent No.:** **US D670,752 S**

(45) **Date of Patent:** **** *Nov. 13, 2012**

(54) **PORTABLE CAMERA MOUNT**

(75) Inventor: **Eddie Barber**, Palmdale, CA (US)

(73) Assignee: **Edward Barber**

(*) Notice: This patent is subject to a terminal disclaimer.

(**) Term: **14 Years**

(21) Appl. No.: **29/324,720**

(22) Filed: **Sep. 18, 2008**

(51) **LOC (9) Cl.** **16-05**

(52) **U.S. Cl.** **D16/242; D16/244**

(58) **Field of Classification Search** D16/237,
D16/242, 244-245; 352/243; 396/419-420,
396/218, 422, 425, 428, 421; 248/176.1,
248/176.3, 166, 171, 183.1, 188; D24/128
See application file for complete search history.

(56) **References Cited**

U.S. PATENT DOCUMENTS

1,849,898	A *	3/1932	Wright	248/171
D156,613	S *	12/1949	Mais et al.	D16/241
2,845,244	A *	7/1958	Prokop	248/171
3,064,932	A *	11/1962	Holderman	248/171
4,156,512	A	5/1979	Brown		
4,158,489	A	6/1979	Gottschalk et al.		
D294,150	S	2/1988	Iwasaki		
4,943,820	A	7/1990	Larock		
5,098,182	A	3/1992	Brown		
D329,449	S	9/1992	Brown et al.		
D333,479	S	2/1993	Chun-Mao		
D335,298	S	5/1993	Hanke		
5,243,370	A	9/1993	Slater		
D341,370	S	11/1993	Hart et al.		
D347,501	S	5/1994	Chapman		
5,320,227	A *	6/1994	Minoura	211/22
D358,832	S	5/1995	Lenney et al.		
5,458,305	A *	10/1995	Woodward	248/121

5,458,306	A *	10/1995	O'Farrill et al.	248/188.8
D373,133	S	8/1996	Usui et al.		
D386,510	S	11/1997	Peterson		
D390,953	S *	2/1998	Ward et al.	D24/128
6,007,259	A *	12/1999	Mori et al.	396/428
6,056,450	A *	5/2000	Walling	396/428
6,439,515	B1	8/2002	Powers		
6,789,772	B2 *	9/2004	Eason	248/166
6,983,915	B2 *	1/2006	Adelman	248/188.7
7,011,280	B2 *	3/2006	Murray et al.	248/171
7,273,198	B2	9/2007	Tourtellotte et al.		
D552,660	S *	10/2007	Lee	D16/244
D632,720	S *	2/2011	Barker	D16/244
7,905,667	B2 *	3/2011	Barker	396/419
7,986,369	B1 *	7/2011	Burns	D16/244
2003/0201371	A1	10/2003	Zadok		
2006/0175483	A1 *	8/2006	Osaka	248/177.1
2007/0114345	A1 *	5/2007	Lee et al.	248/166
2009/0003822	A1 *	1/2009	Tyner	396/428
2009/0190917	A1 *	7/2009	Chai	396/428
2010/0155549	A1 *	6/2010	Robinson	248/183.1

* cited by examiner

Primary Examiner — Wan Laymon

(74) *Attorney, Agent, or Firm* — Ken Dallara; Law Office of Ken Dallara

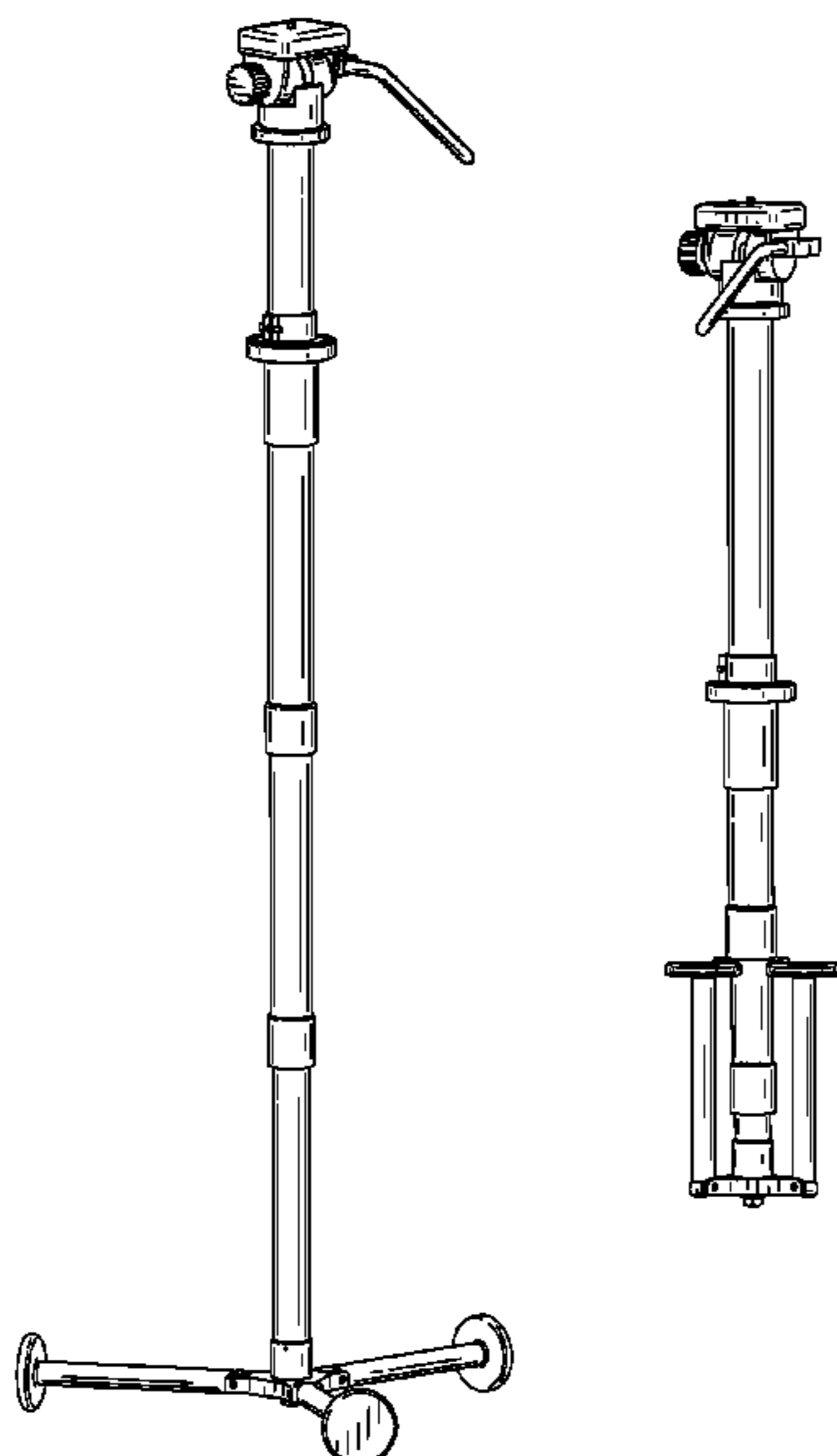
(57) **CLAIM**

The ornamental design for a portable camera mount, as shown and described.

DESCRIPTION

FIG. 1 is a left and rear view of a portable camera mount apparatus showing my design;
FIG. 2 is a right and rear view thereof;
FIG. 3 is a bottom view thereof;
FIG. 4 is a top view thereof;
FIG. 5 is a front view thereof; and,
FIG. 6 is a right and rear view thereof, showing the legs and the extension tubes are in a collapsed position.

1 Claim, 3 Drawing Sheets



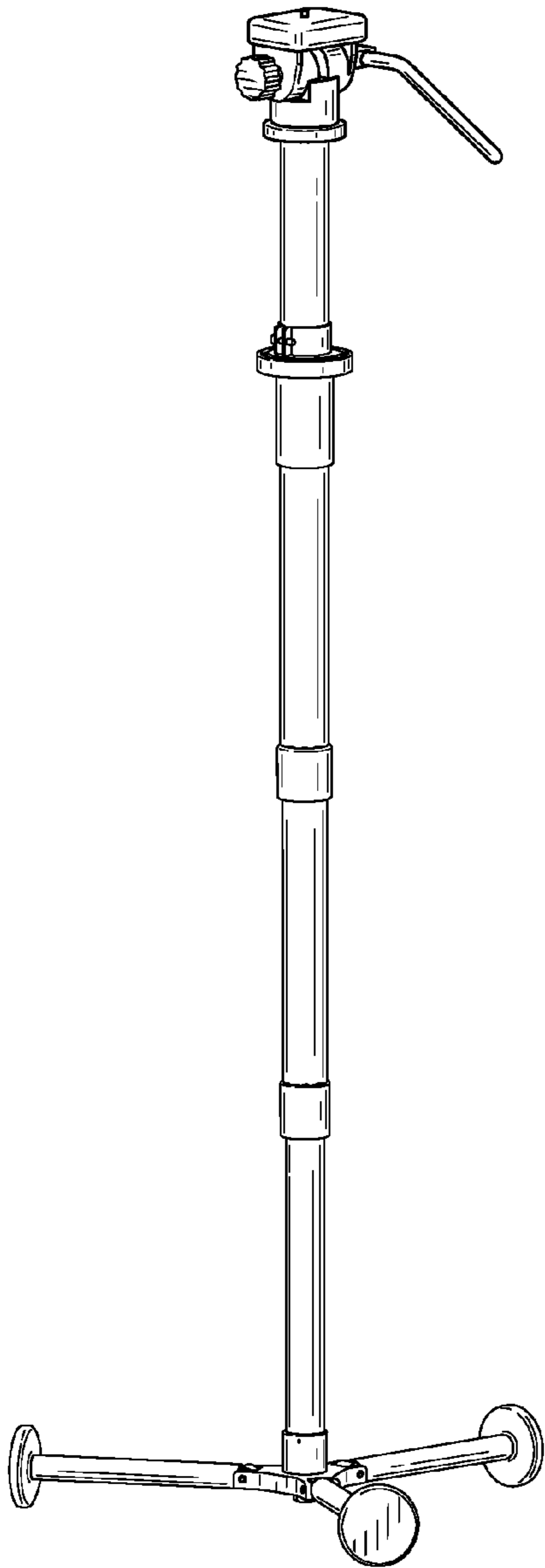


FIG. 1

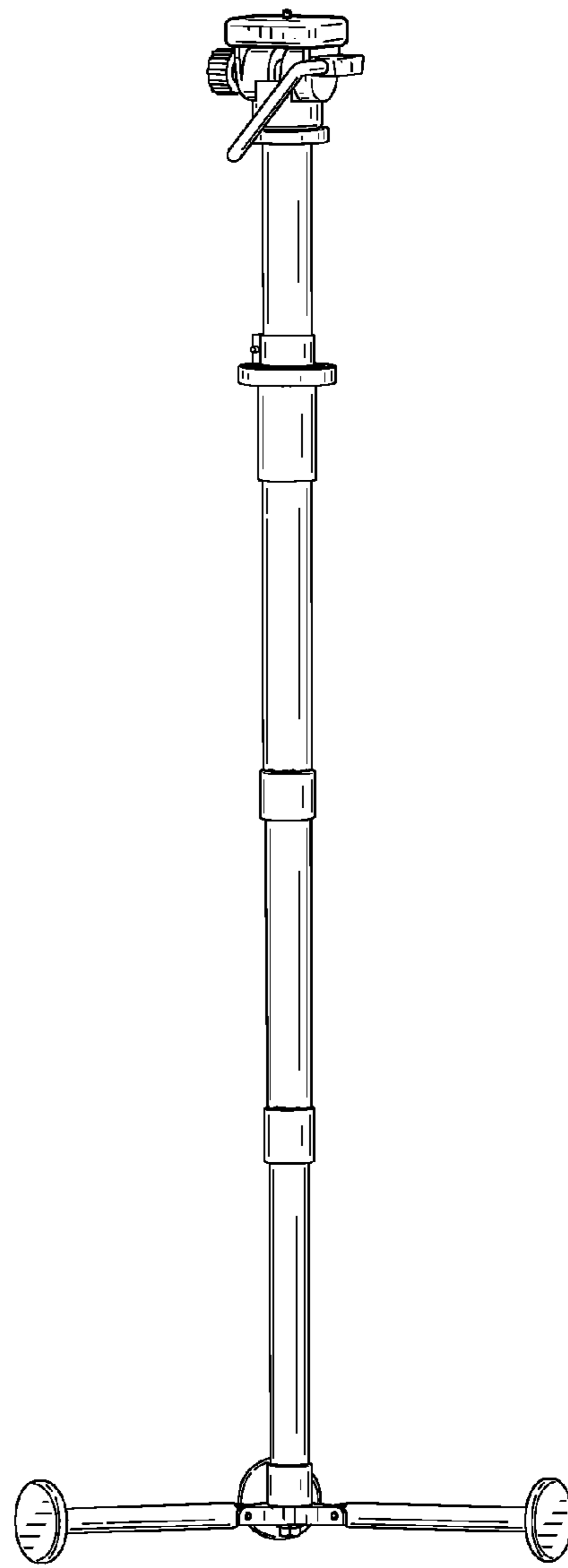


FIG. 2

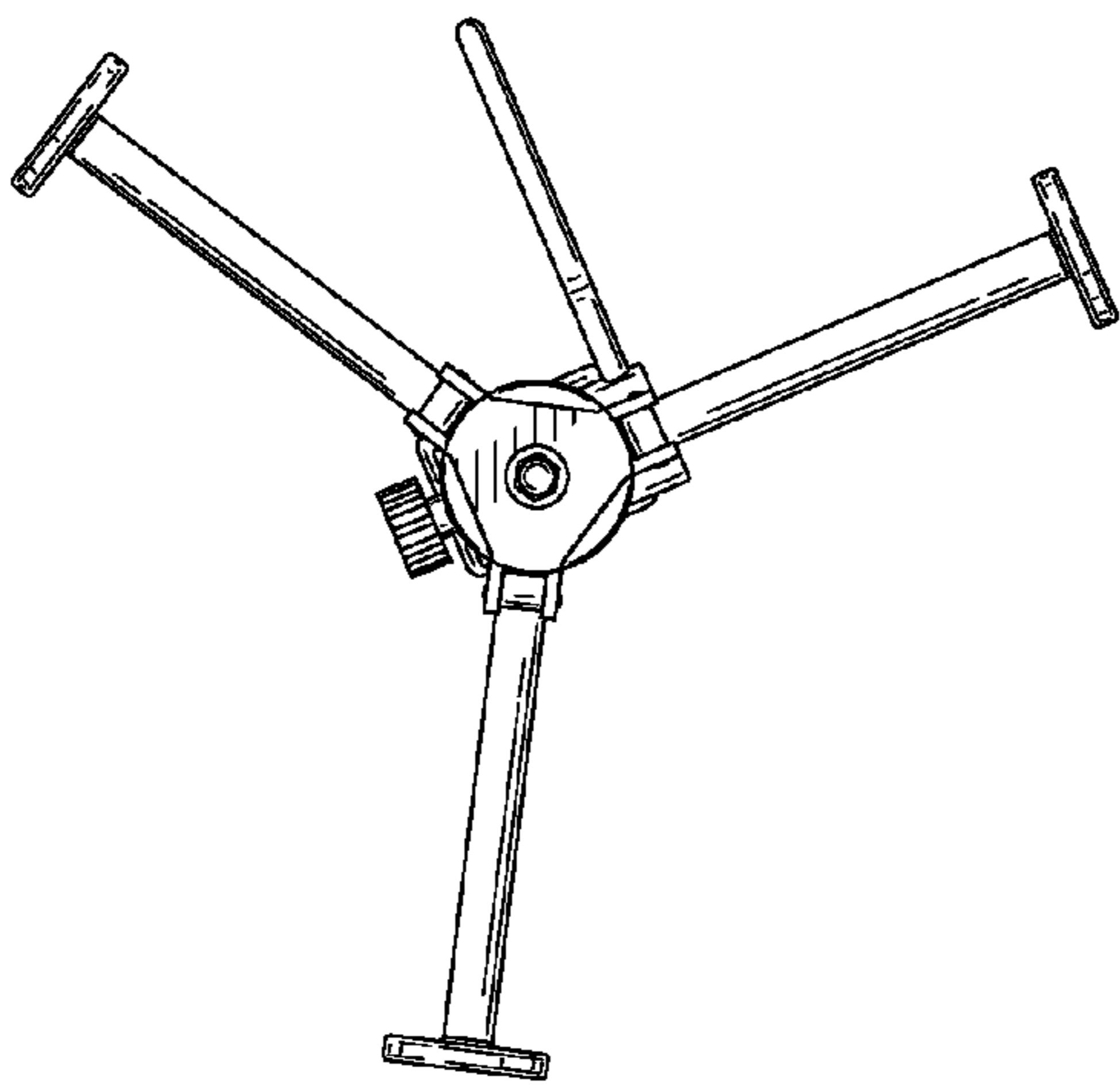


FIG. 3

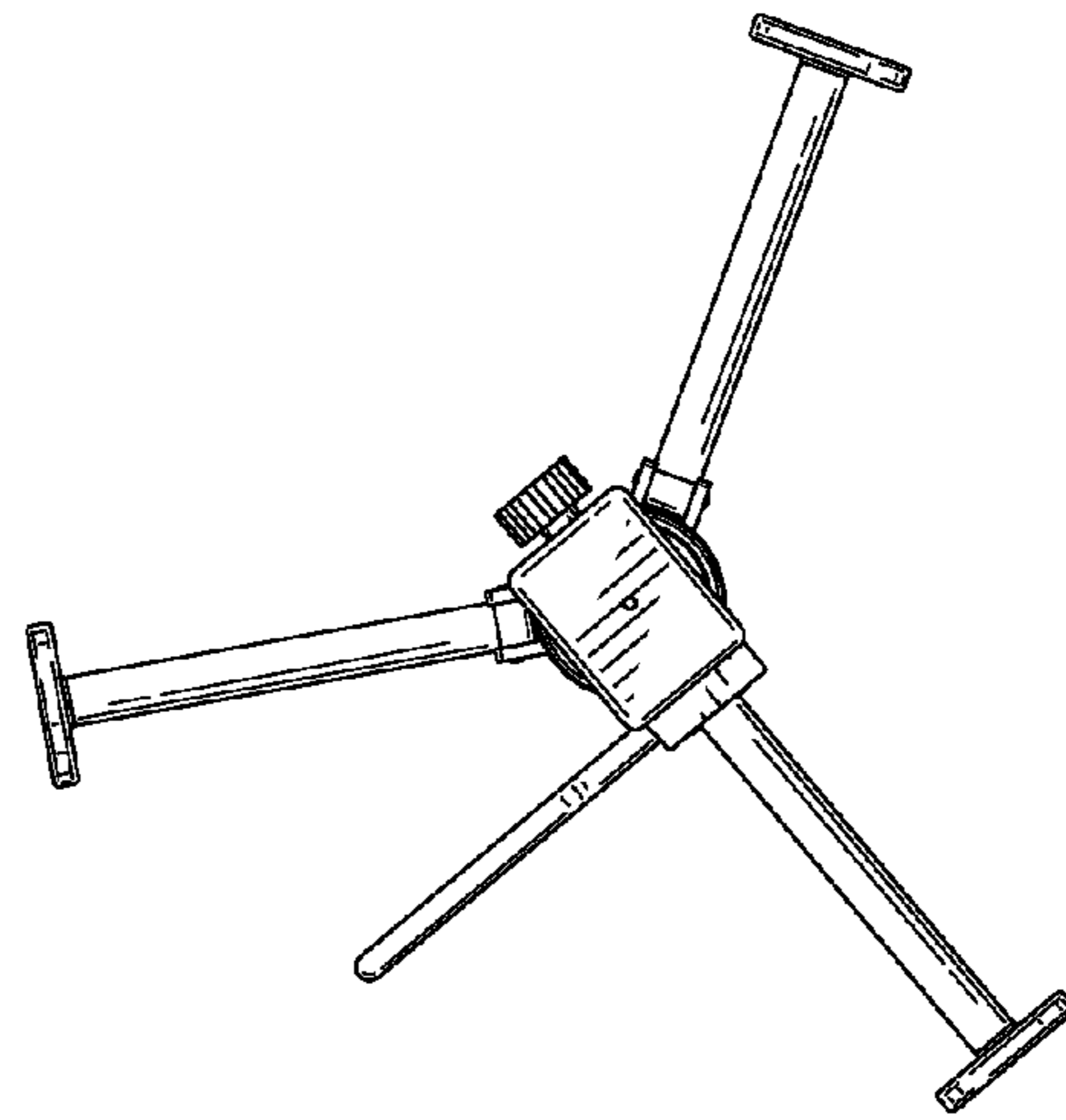


FIG. 4

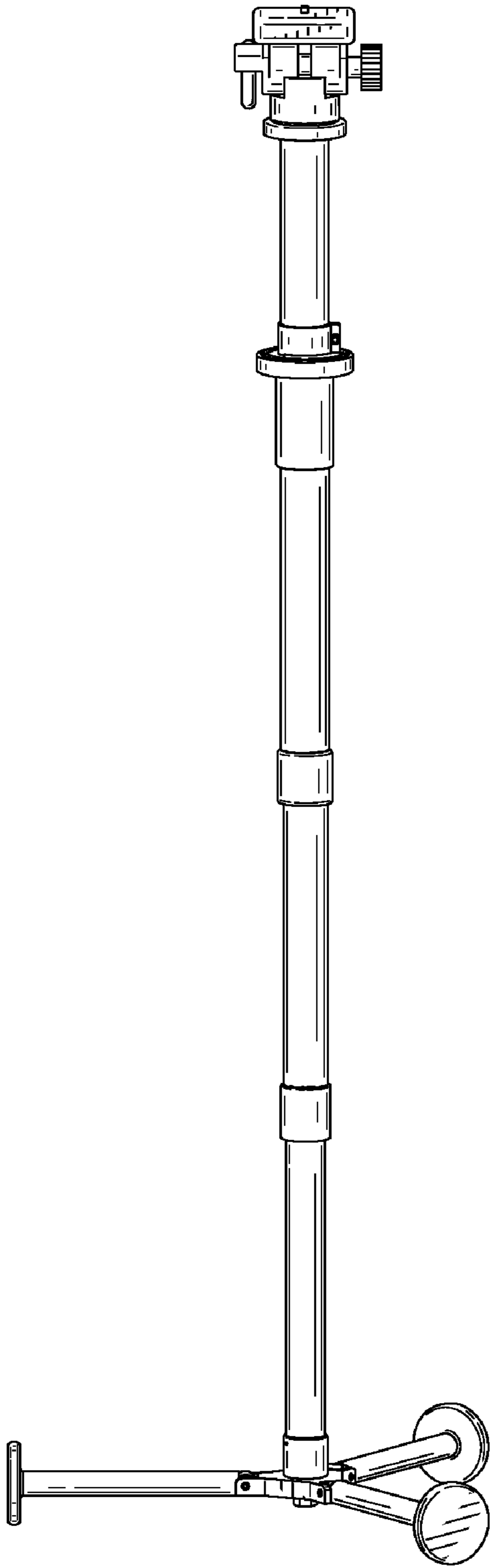


FIG. 5

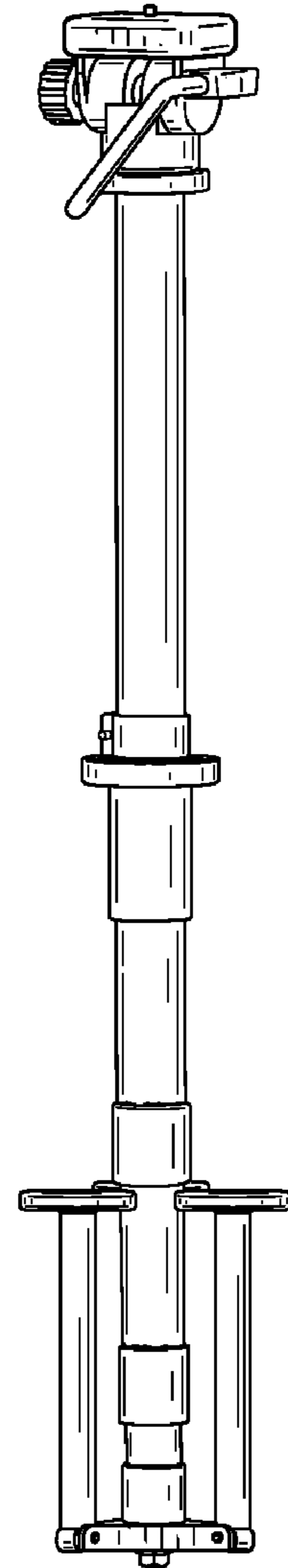


FIG. 6