



US00D670751S

(12) **United States Design Patent**  
**Koyama et al.**

(10) **Patent No.:** **US D670,751 S**

(45) **Date of Patent:** **\*\* Nov. 13, 2012**

(54) **MOUNT**

(75) Inventors: **Takashi Koyama**, Tokyo (JP);  
**Nobuharu Murashima**, Tokyo (JP);  
**Yoshiharu Tanaka**, Tokyo (JP)

(73) Assignee: **Sony Corporation**, Tokyo (JP)

(\*\*) Term: **14 Years**

(21) Appl. No.: **29/371,047**

(22) Filed: **Sep. 30, 2010**

(30) **Foreign Application Priority Data**

Mar. 31, 2010 (CN) ..... 2010 3 0145393  
May 7, 2010 (JP) ..... D2010-011155

(51) **LOC (9) Cl.** ..... **16-05**

(52) **U.S. Cl.** ..... **D16/219; D16/134**

(58) **Field of Classification Search** ..... D16/200,  
D16/202, 204, 208, 212, 218, 219; 348/373-376;  
396/349, 448, 535-541; 358/909.1  
See application file for complete search history.

(56) **References Cited**

**U.S. PATENT DOCUMENTS**

D339,599 S *	9/1993	Tiffen	.....	D16/219
D452,861 S	1/2002	Ogasawara		
D466,499 S	12/2002	Nakano		
D493,456 S	7/2004	Ogasawara		
D497,174 S *	10/2004	Omimo et al.	.....	D16/217
D501,660 S	2/2005	Kumano		
D510,737 S	10/2005	Yokota		
D528,579 S *	9/2006	Yasutomi	.....	D16/202
7,182,529 B2 *	2/2007	Kurosawa	.....	396/358
D538,324 S *	3/2007	Masamitsu et al.	.....	D16/219
D559,247 S	1/2008	Kawase		
D566,153 S *	4/2008	Katsuraku	.....	D16/218
D585,900 S	2/2009	Kumano		
D589,073 S *	3/2009	Hibi	.....	D16/218
7,507,041 B2 *	3/2009	Ueda et al.	.....	396/423

D608,812 S *	1/2010	Tainaka	.....	D16/212
D635,607 S *	4/2011	Takagi	.....	D16/219
D636,008 S *	4/2011	Yasutomi	.....	D16/219
D644,679 S *	9/2011	Woodman	.....	D16/219
D646,313 S *	10/2011	Woodman	.....	D16/200
D648,363 S *	11/2011	Takagi et al.	.....	D16/219
D652,853 S *	1/2012	Tsukamoto	.....	D16/202
D654,943 S *	2/2012	Ogasawara et al.	.....	D16/219
D657,811 S *	4/2012	Woodman	.....	D16/219

**FOREIGN PATENT DOCUMENTS**

JP	63-057637 U	4/1988
JP	D897533 S	4/1994
JP	09-211645 A	8/1997

\* cited by examiner

*Primary Examiner* — Cynthia Underwood

(74) *Attorney, Agent, or Firm* — Rader, Fishman & Grauer PLLC

(57) **CLAIM**

The ornamental design for a mount, as shown and described.

**DESCRIPTION**

FIG. 1 is a rear, top, left perspective view of a first embodiment of a mount showing my new design; FIG. 2 is a rear elevational view thereof; FIG. 3 is a left side elevational view thereof; FIG. 4 is a right side elevational view thereof; FIG. 5 is a top plan view thereof; and FIG. 6 is a bottom plan view thereof. FIG. 7 is a front, top, right perspective view of a second embodiment of a mount showing my new design; FIG. 8 is a front elevational view thereof; FIG. 9 is a left side elevational view thereof; FIG. 10 is a right side elevational view thereof; FIG. 11 is a top plan view thereof; and, FIG. 12 is a bottom plan view thereof. The broken lines represent environment and form no part of the claim.

**1 Claim, 12 Drawing Sheets**

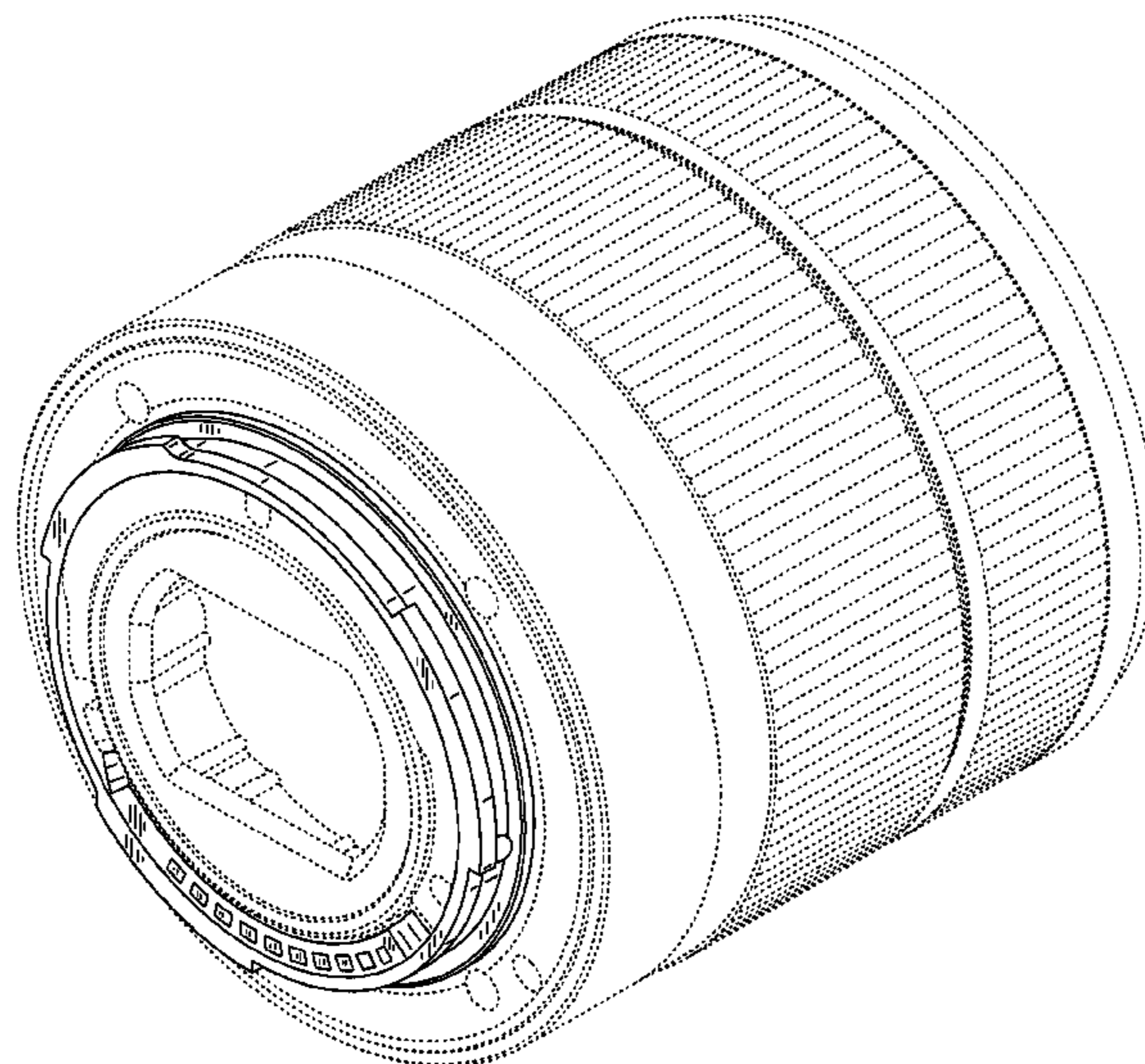


FIG.1

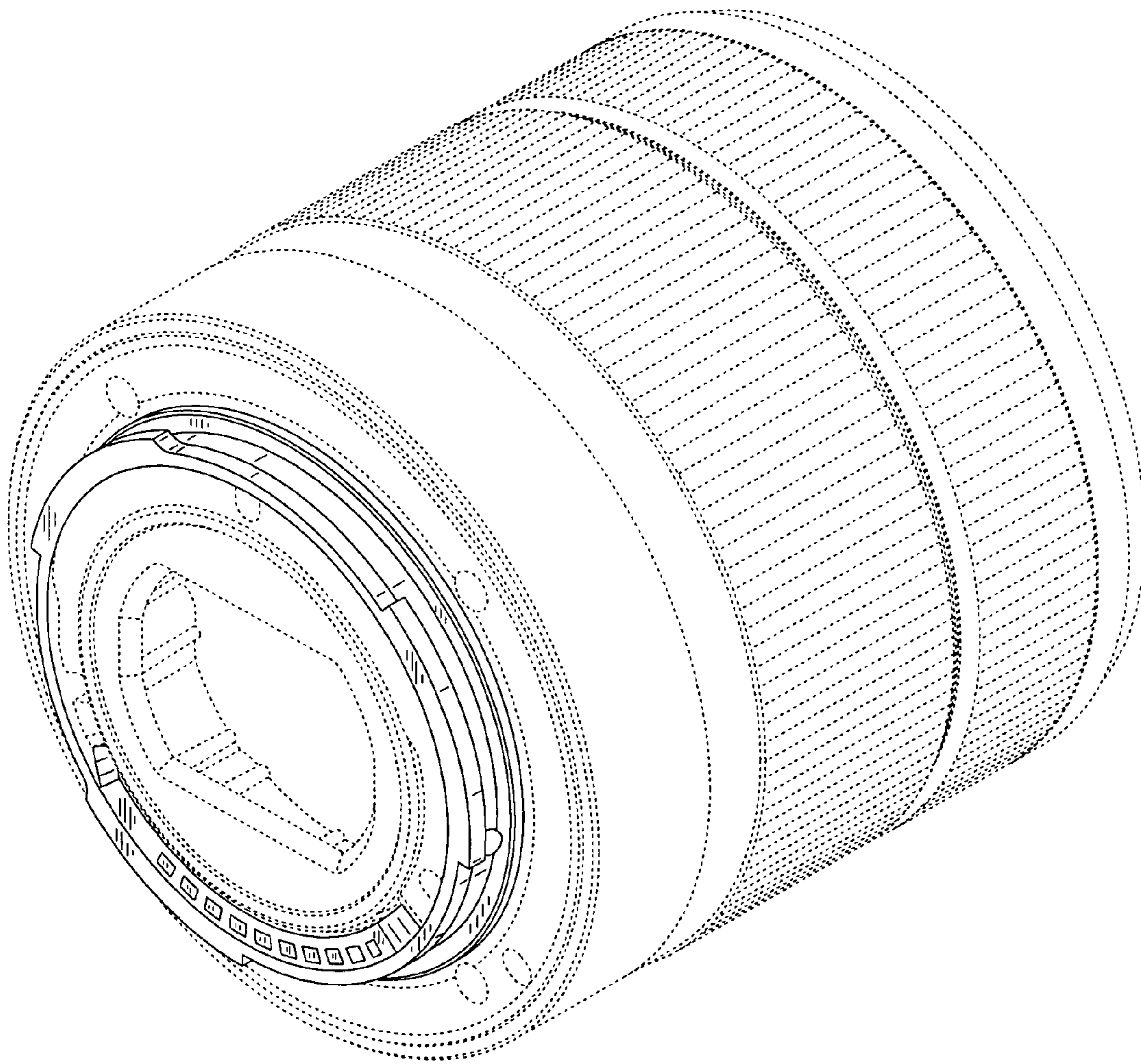




FIG.2

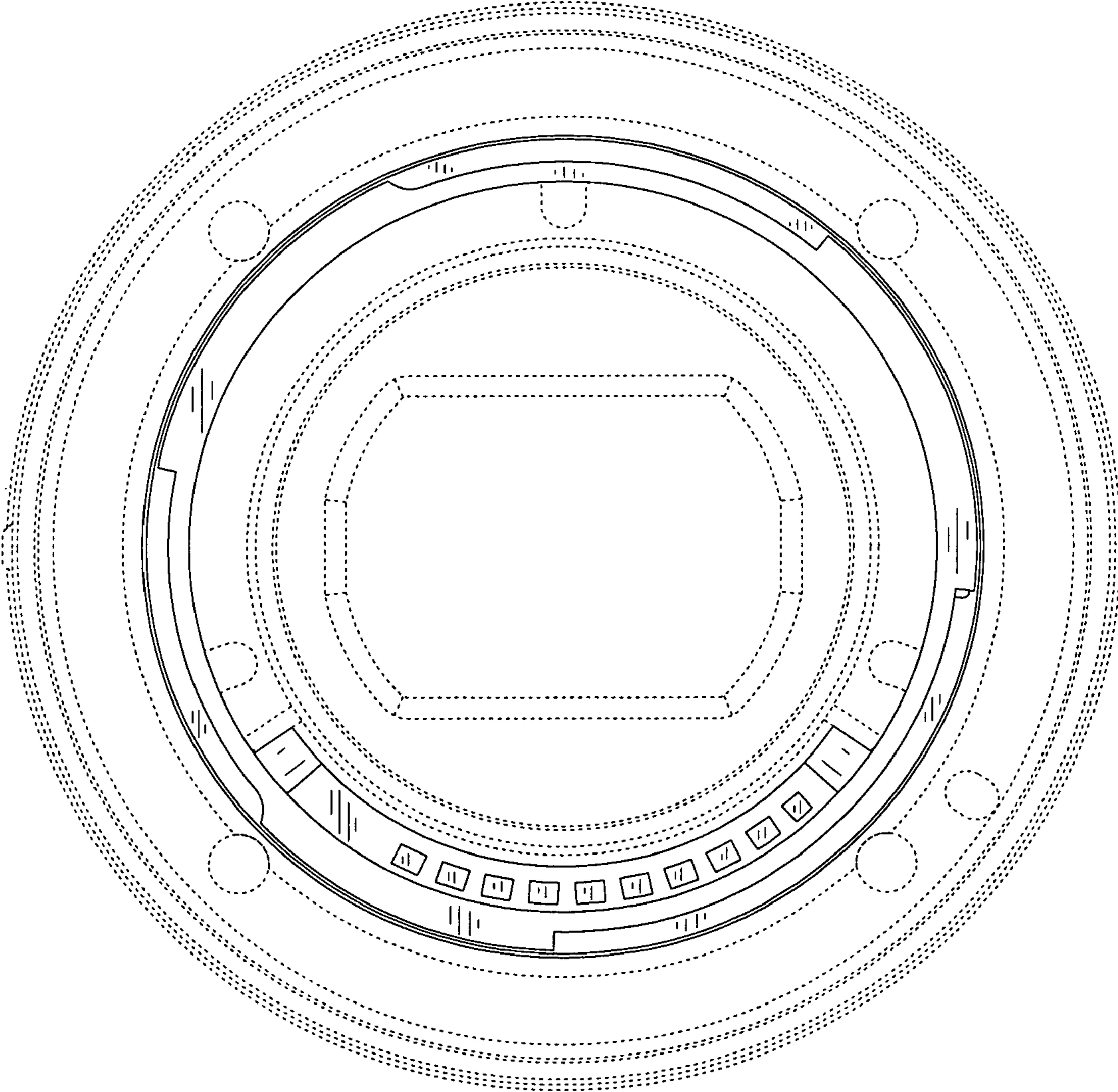


FIG.3

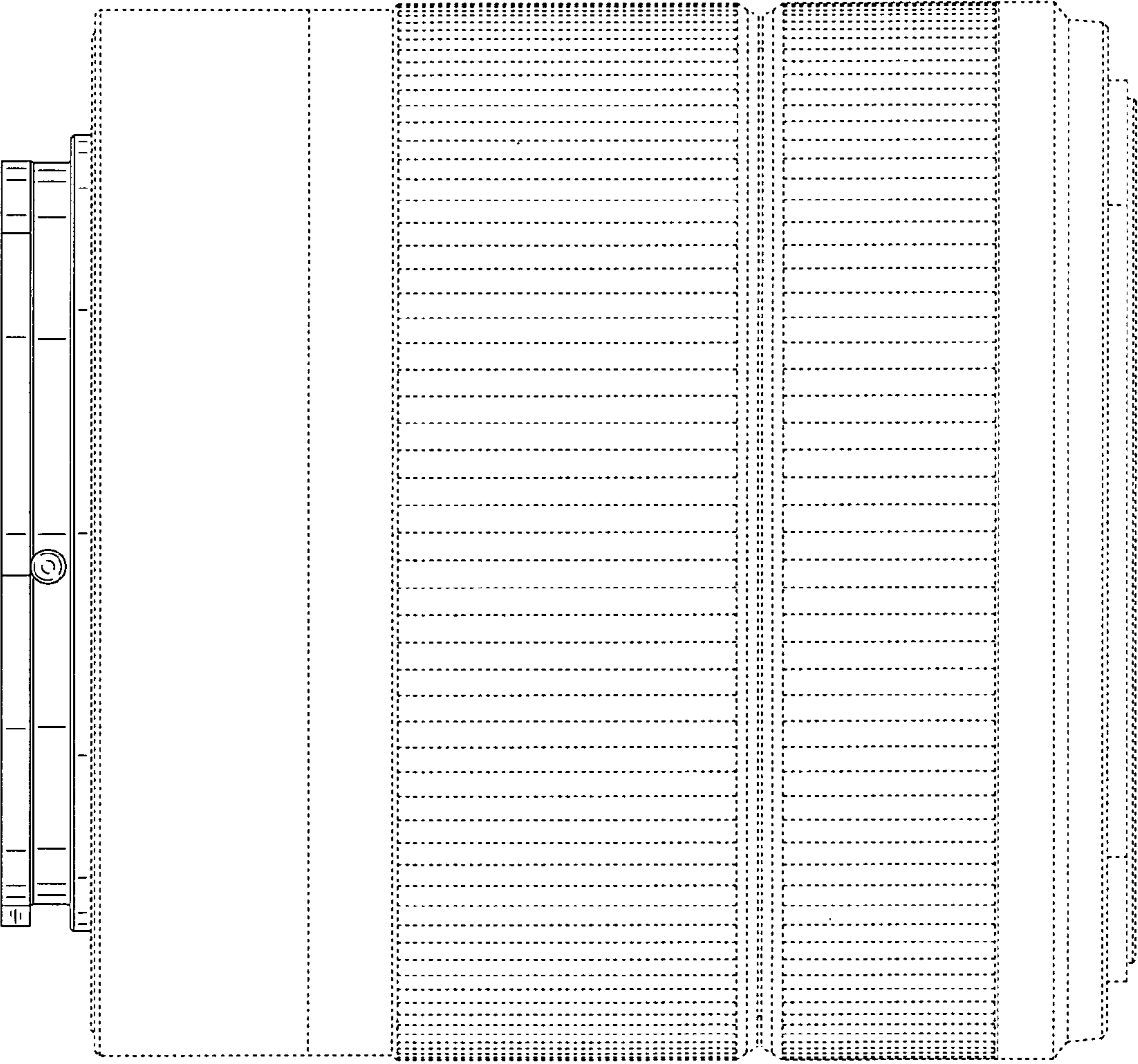


FIG.4

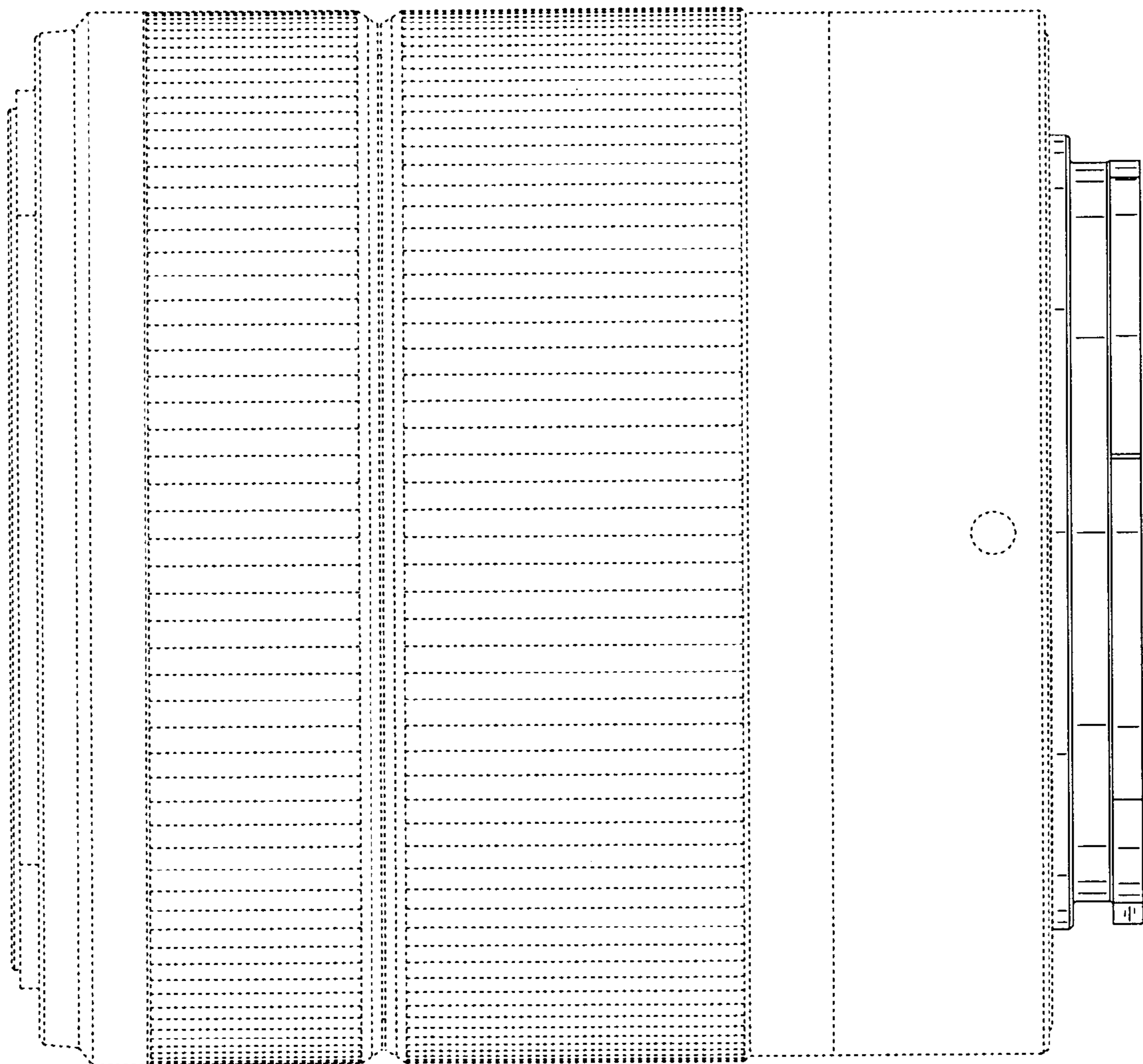


FIG.5

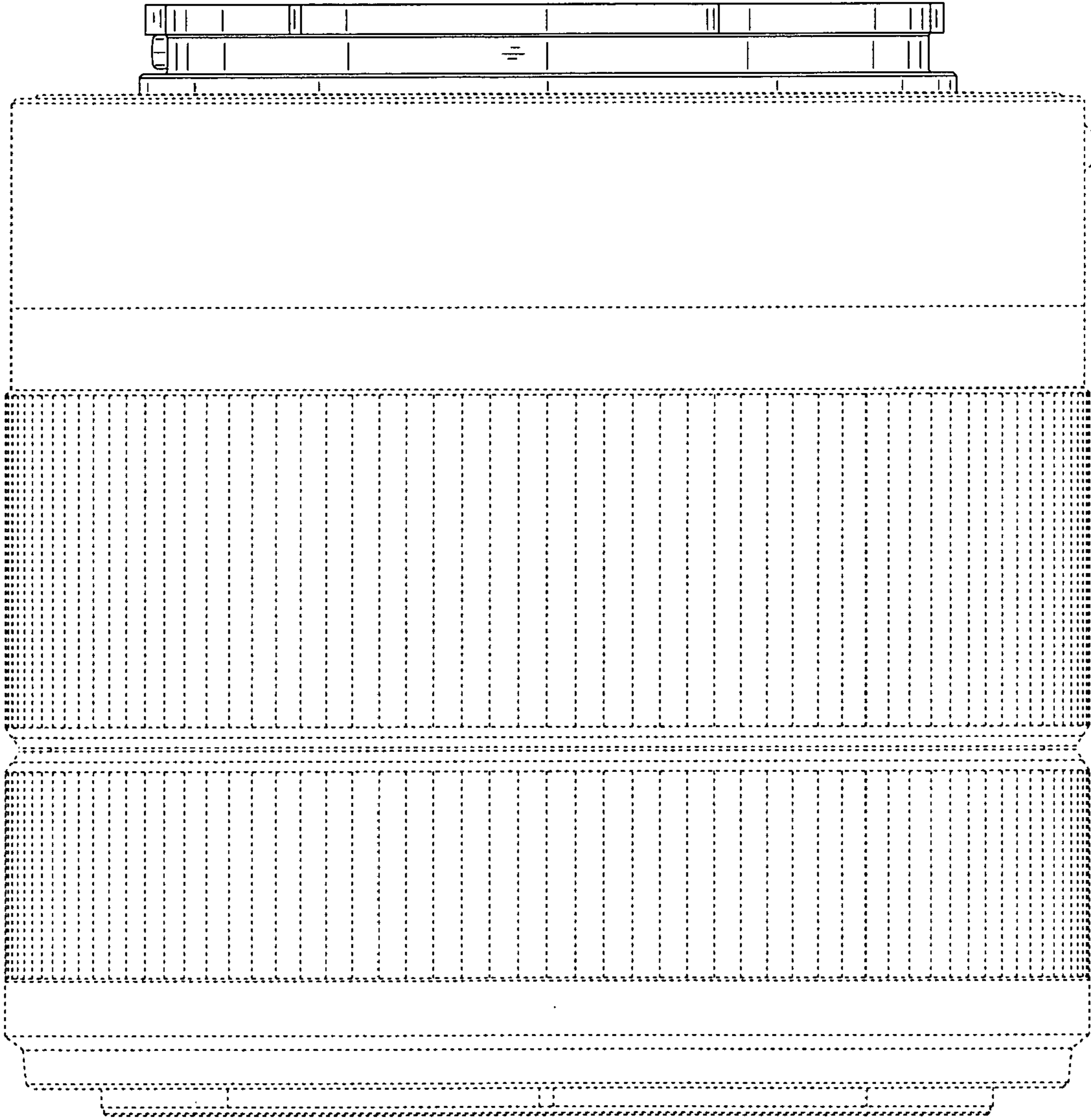




FIG.6

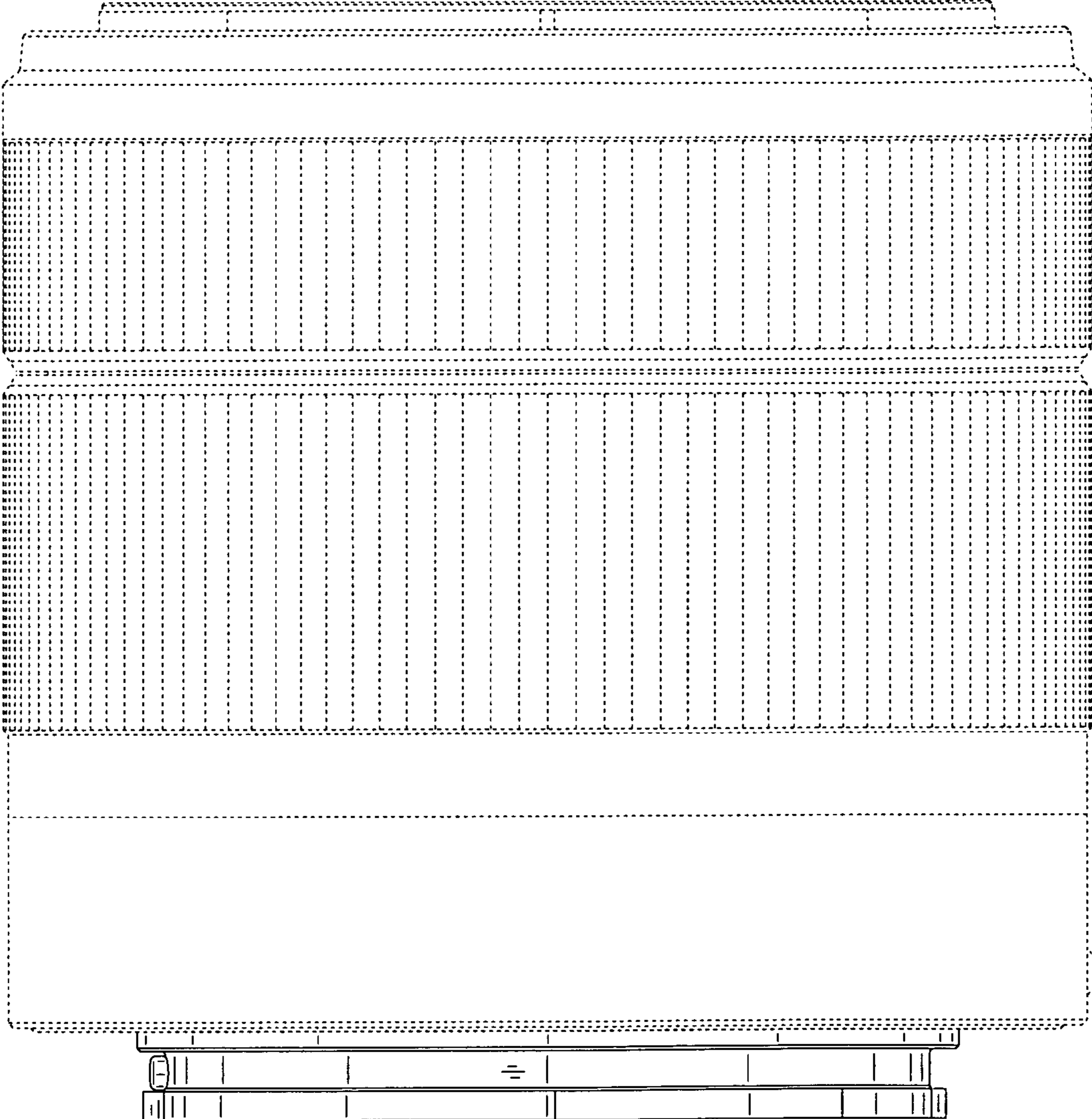


FIG.7

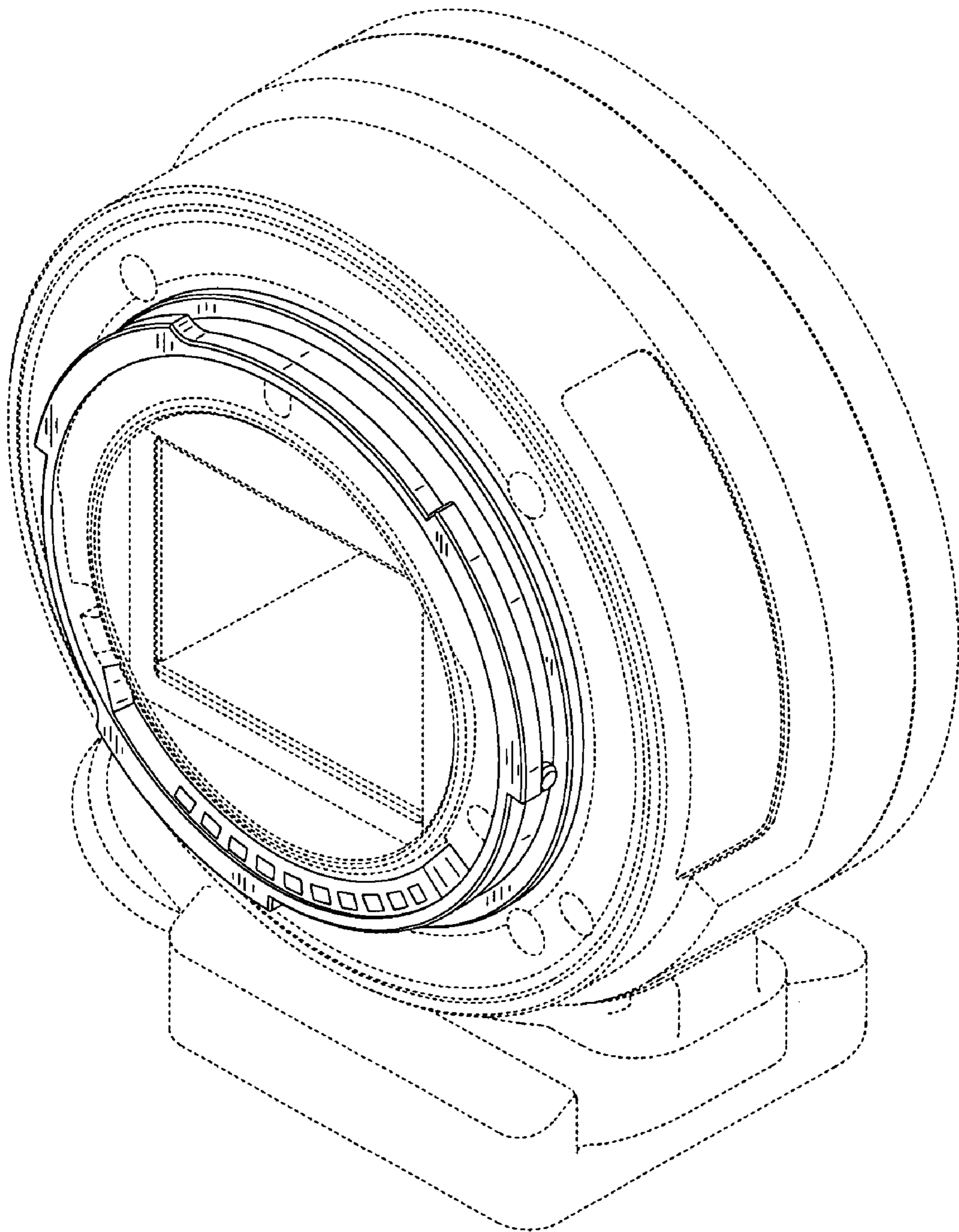




FIG.8

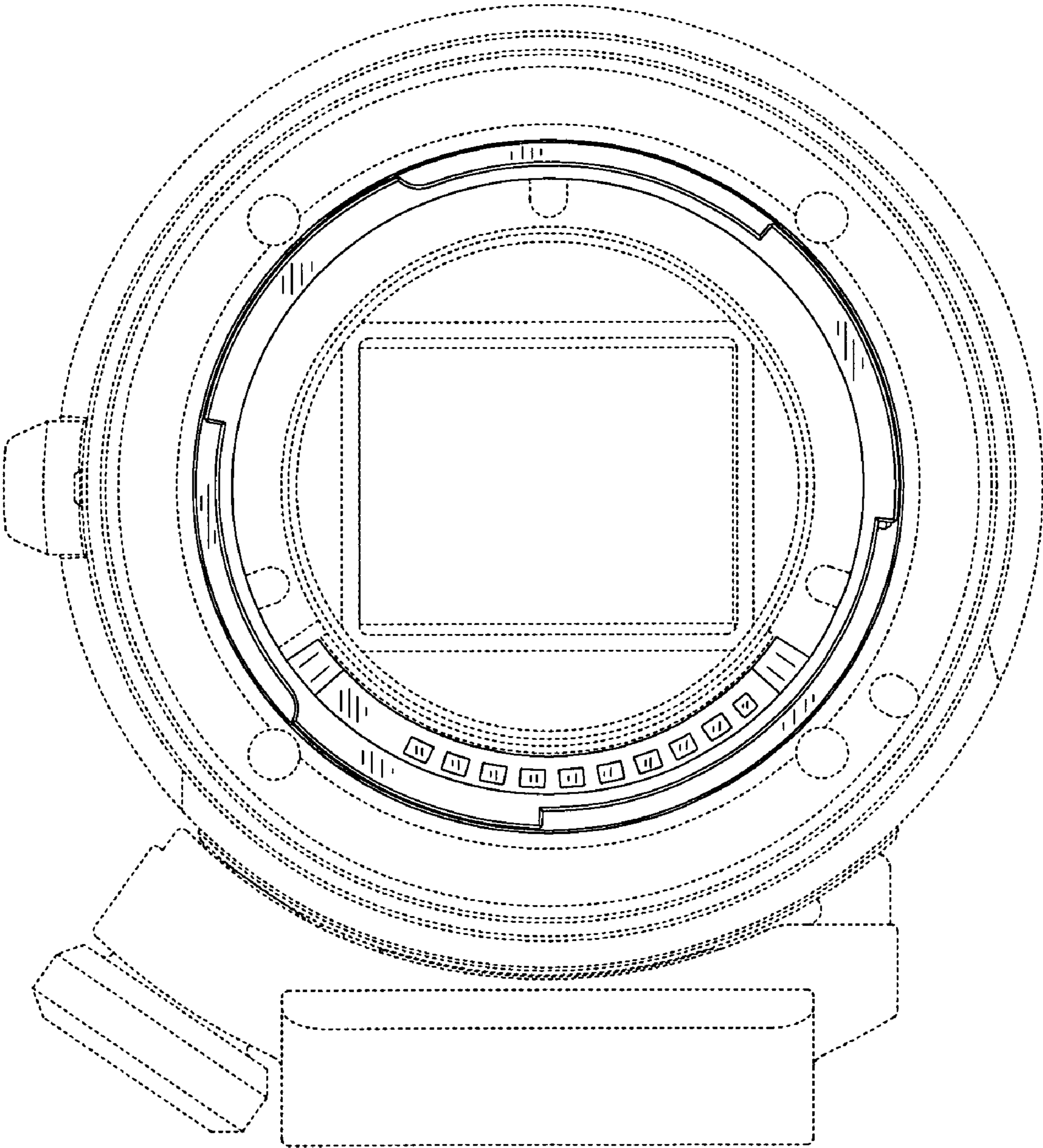


FIG.9

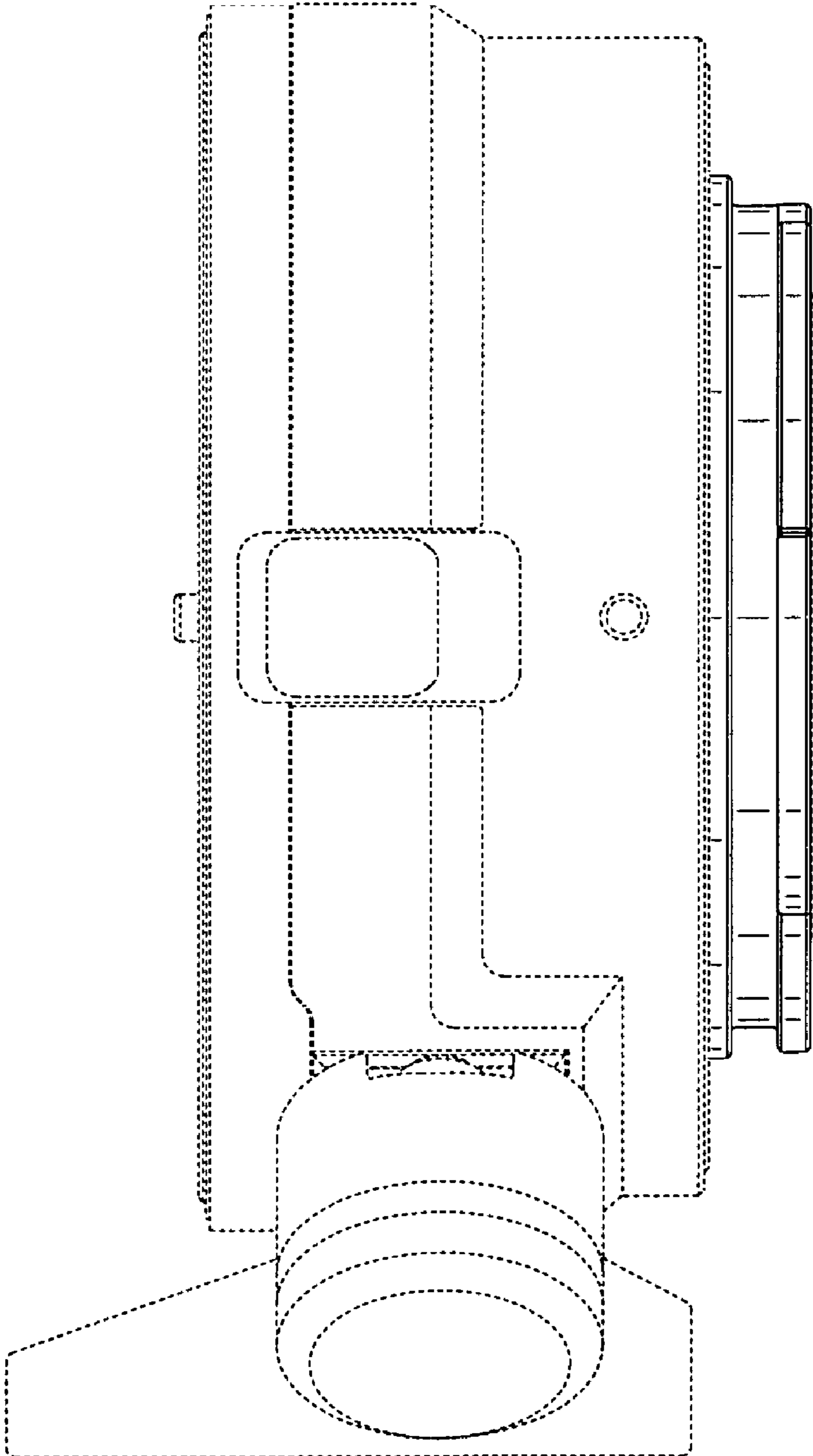


FIG. 10

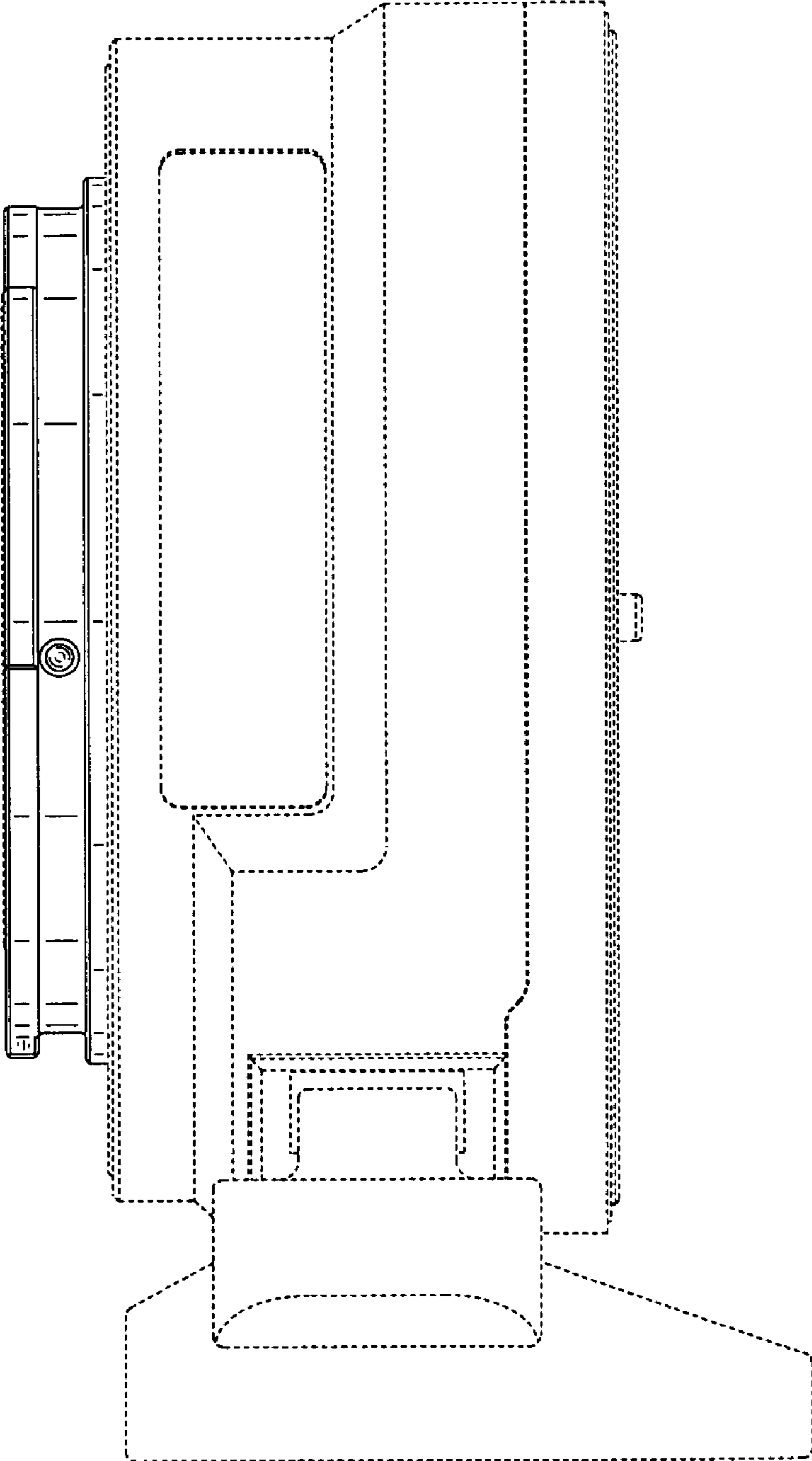




FIG. 11

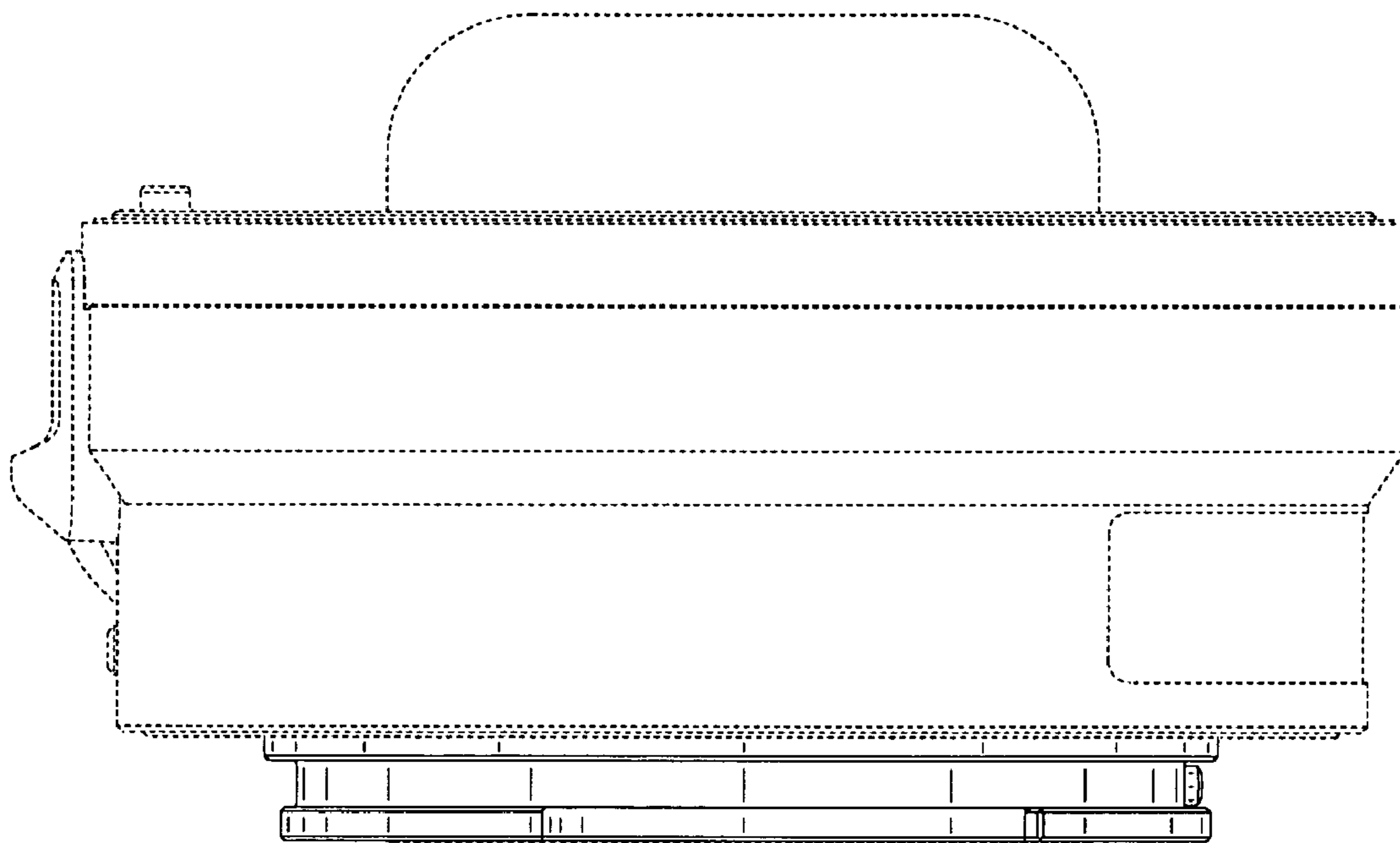


FIG.12

