



US00D670749S

(12) **United States Design Patent**
Chien

(10) **Patent No.:** **US D670,749 S**

(45) **Date of Patent:** **** Nov. 13, 2012**

(54) **MAIN HOUSING FOR OPTICAL
SUB-ASSEMBLY FOR TRANSCEIVERS**

(75) Inventor: **Chih-Cheng Chien**, Taipei (TW)

(73) Assignees: **EZConn Corporation**, Taipei (TW);
Chih-Cheng Chien, Taipei (TW)

(**) Term: **14 Years**

(21) Appl. No.: **29/399,352**

(22) Filed: **Aug. 12, 2011**

(51) **LOC (9) Cl.** **16-99**

(52) **U.S. Cl.** **D16/130**

(58) **Field of Classification Search** D16/130,
D16/100, 136, 245; D13/133, 151; D23/262;
D10/46; 600/112; 359/363; 396/428; 348/804;
385/121

See application file for complete search history.

(56) **References Cited**

U.S. PATENT DOCUMENTS

D145,993	S	*	11/1946	Wager	D16/130
2,428,719	A	*	10/1947	Nemeth	359/823
2,678,228	A	*	5/1954	Gerhardt	403/341
D181,038	S	*	9/1957	Britton	D23/235
3,132,881	A	*	5/1964	Corey	285/197
3,138,060	A	*	6/1964	Eggert et al.	359/702
3,435,163	A	*	3/1969	Lutzenberger et al.	200/51.1
3,900,021	A	*	8/1975	Makepeace et al.	600/112
4,047,741	A	*	9/1977	Pertriaux	285/55
4,066,330	A	*	1/1978	Jones	359/503
4,248,213	A	*	2/1981	Landre	600/174
4,305,386	A	*	12/1981	Tawara	600/112
D271,209	S	*	11/1983	Feinbloom	D16/237
4,413,278	A	*	11/1983	Feinbloom	348/73
D271,698	S	*	12/1983	Shishido	D16/237
4,484,832	A	*	11/1984	Weissenberger	403/191

D276,623	S	*	12/1984	Feinbloom	D16/130
D277,583	S	*	2/1985	Kono	D16/130
D286,787	S	*	11/1986	Feinbloom et al.	D16/130
D287,629	S	*	1/1987	Feinbloom et al.	D24/138
D295,871	S	*	5/1988	Charles	D16/130
D304,904	S	*	12/1989	Kercher	D8/380
D310,676	S	*	9/1990	Charles	D16/134
D314,745	S	*	2/1991	Southoff	D13/133
D319,450	S	*	8/1991	Charles	D16/136
D343,889	S	*	2/1994	Stonecypher	D23/263
D584,688	S	*	1/2009	Sasada et al.	D13/133
D596,581	S	*	7/2009	Amidon	D13/151

* cited by examiner

Primary Examiner — Paula Greene

(74) *Attorney, Agent, or Firm* — Rosenberg, Klein & Lee

(57) **CLAIM**

The ornamental design for a main housing for optical sub-assembly for transceivers, as shown and described.

DESCRIPTION

FIG. 1 is a top, front and right perspective view of a main housing for optical sub-assembly for transceivers showing my design;

FIG. 2 is a front elevation view thereof;

FIG. 3 is a rear elevation view thereof;

FIG. 4 is a left side elevation view thereof;

FIG. 5 is a right side elevation view thereof;

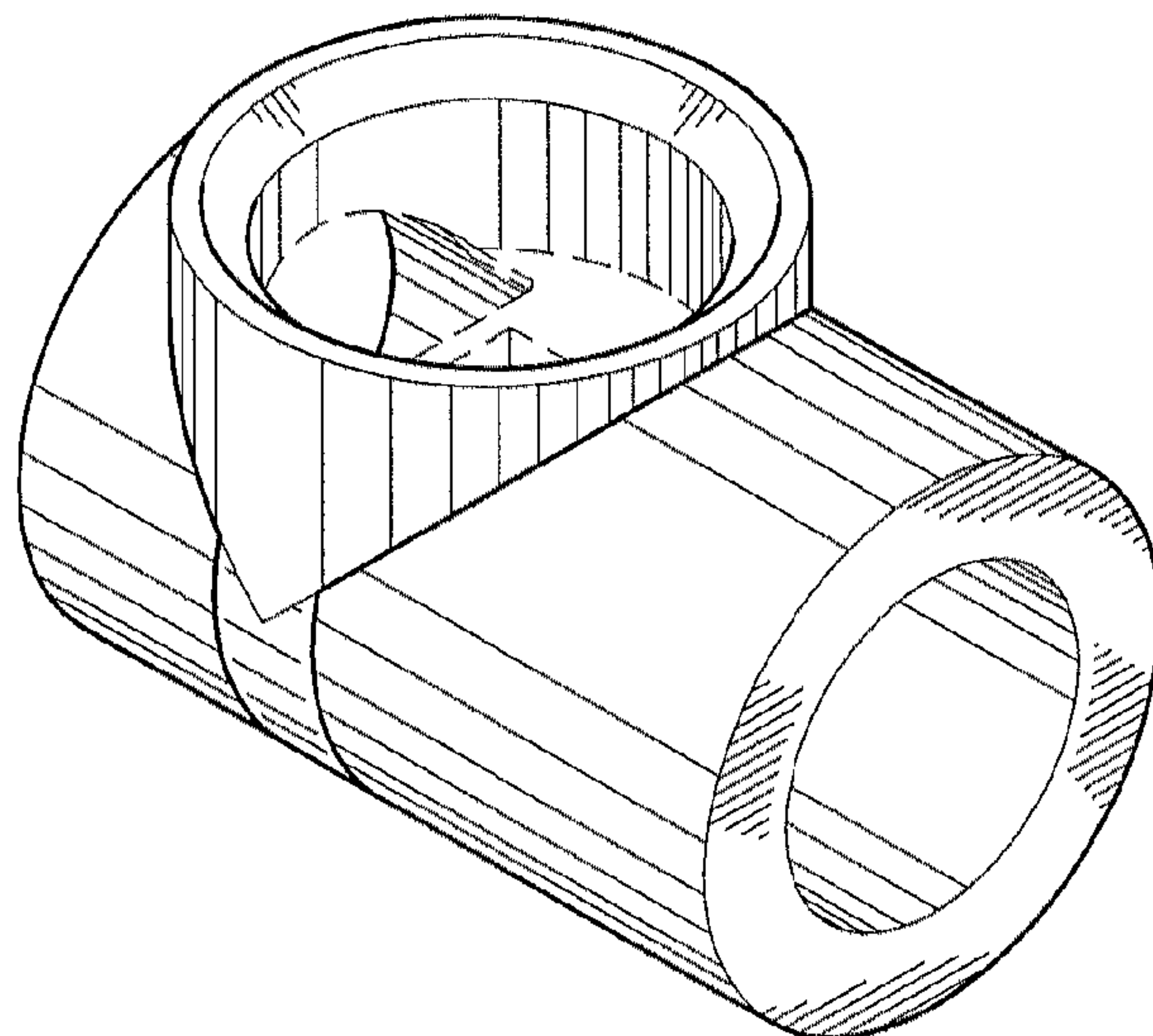
FIG. 6 is a top plan view thereof;

FIG. 7 is a bottom plan view thereof; and,

FIG. 8 is a top, front and left perspective view thereof.

The broken line showing of the main housing for the optical sub-assembly for transceivers is for the purpose of illustrating environmental structure and forms no part of the claimed design.

1 Claim, 5 Drawing Sheets



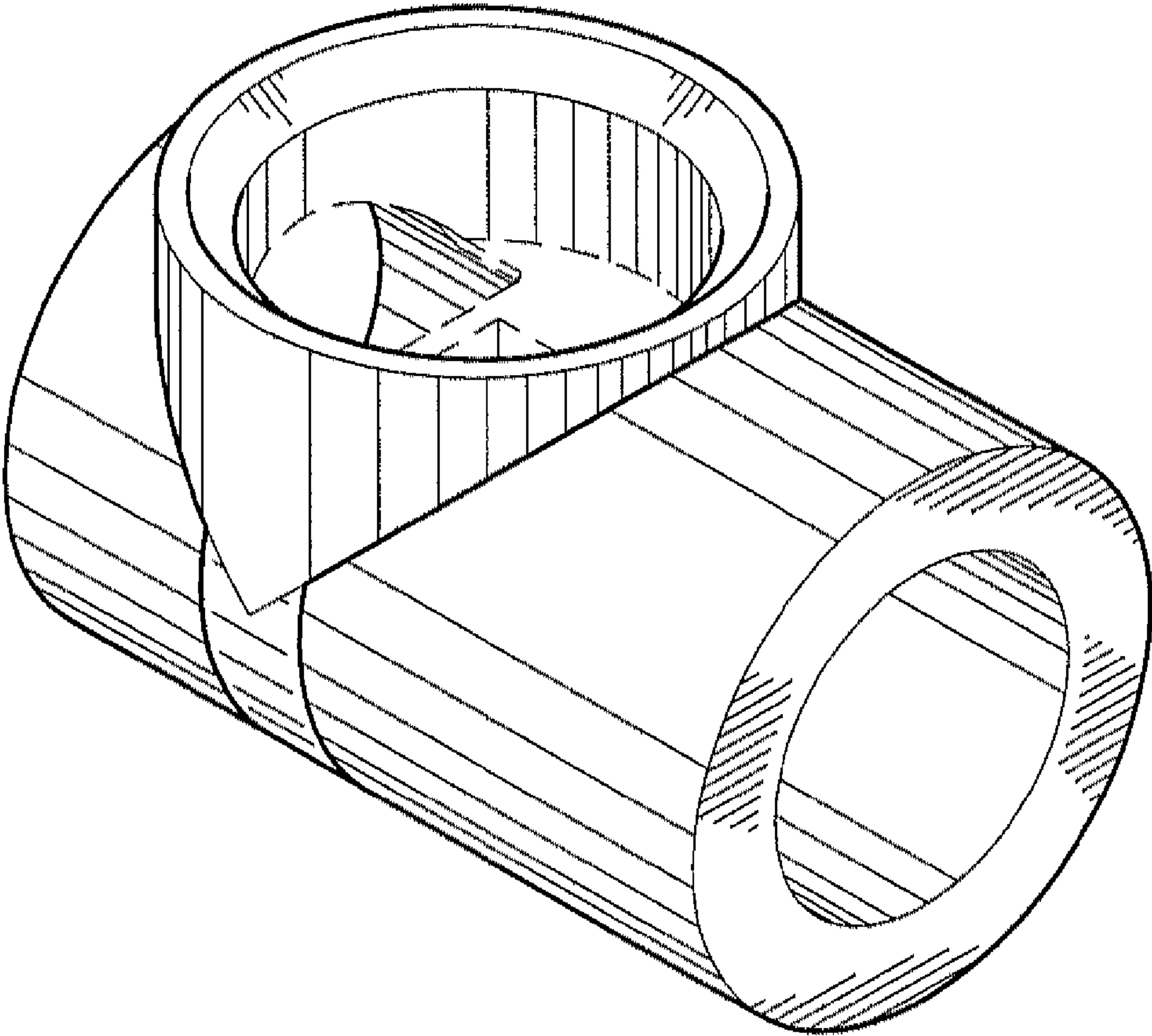


FIG. 1

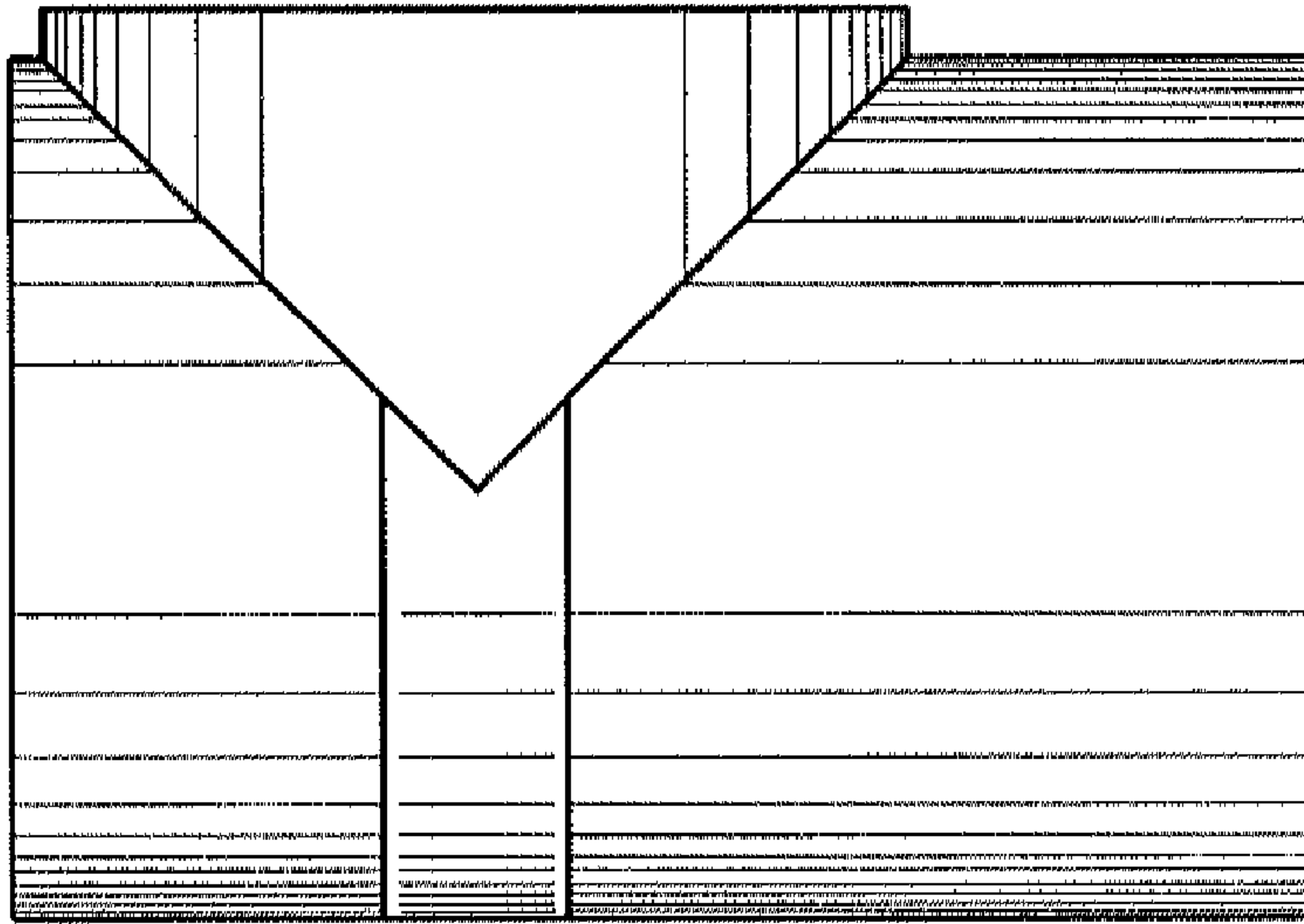


FIG. 2

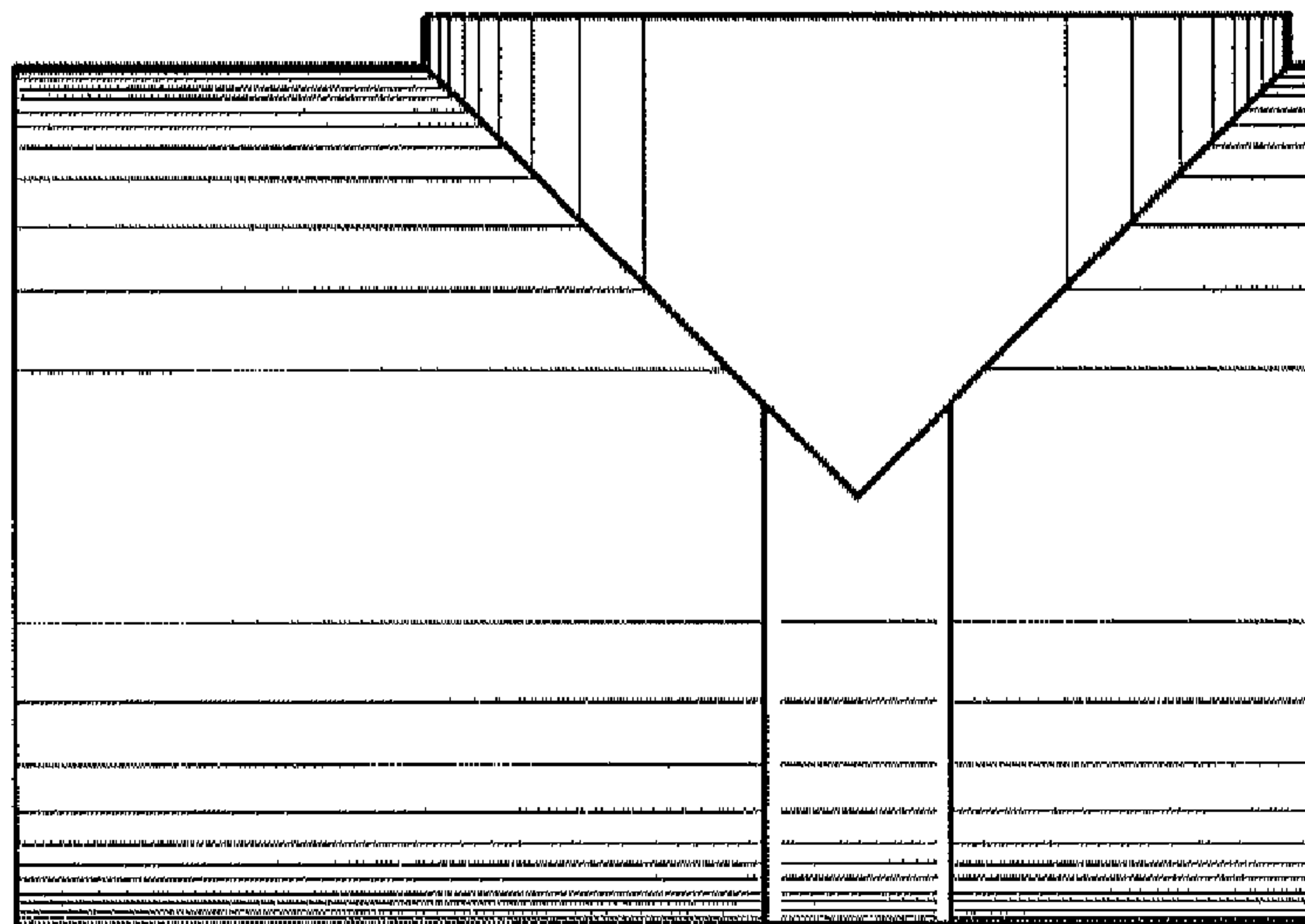


FIG. 3

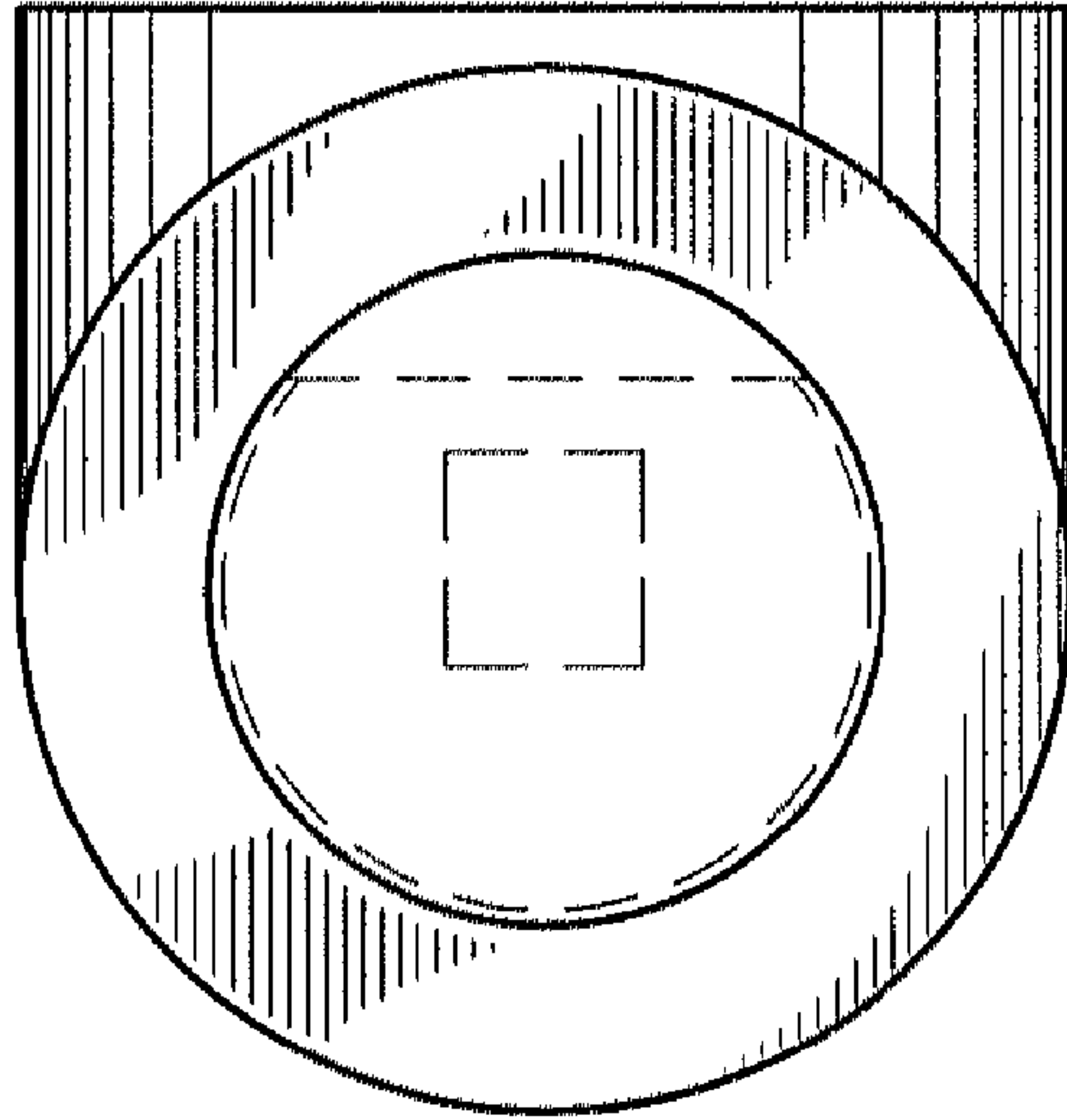


FIG. 4

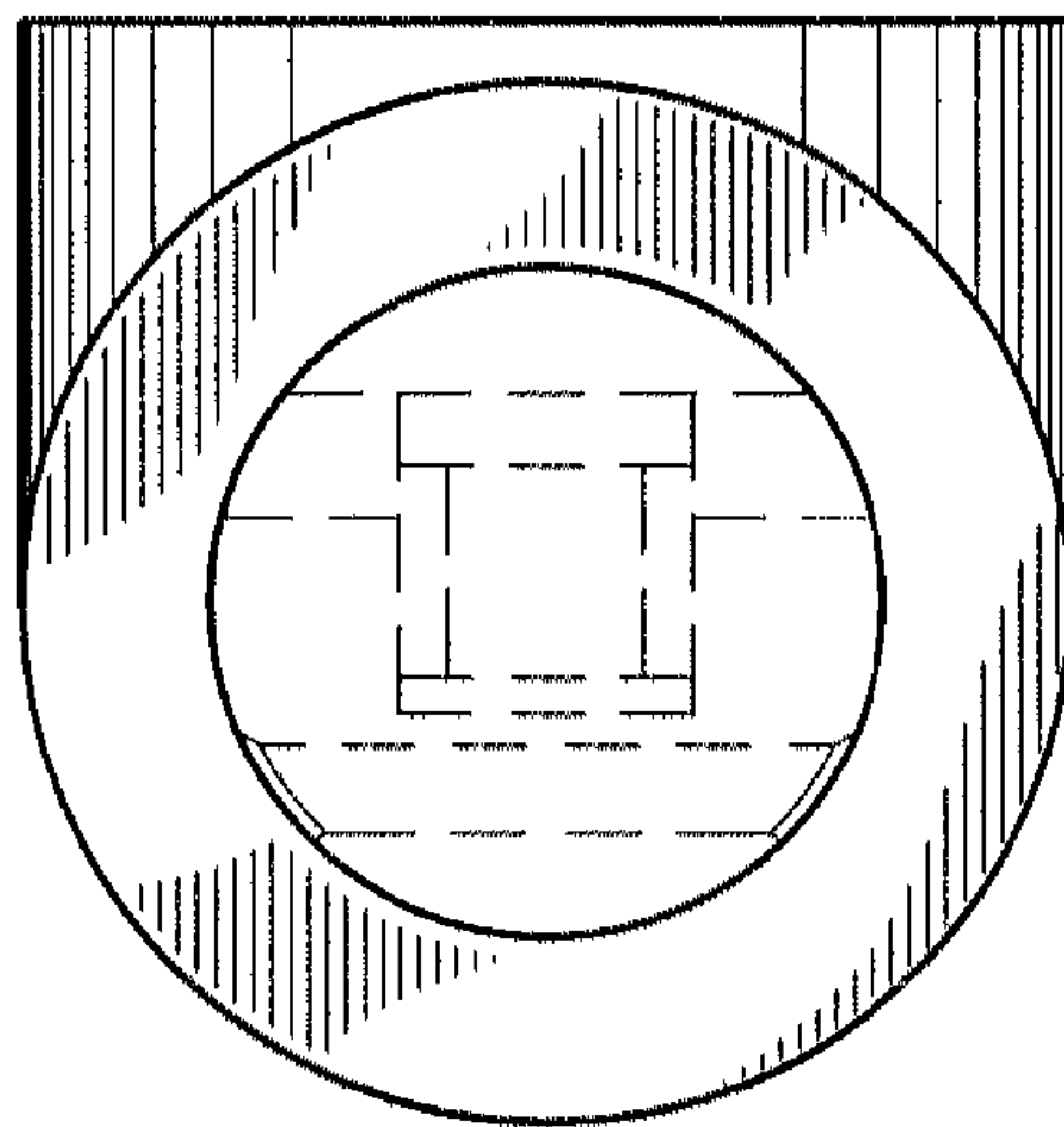


FIG. 5

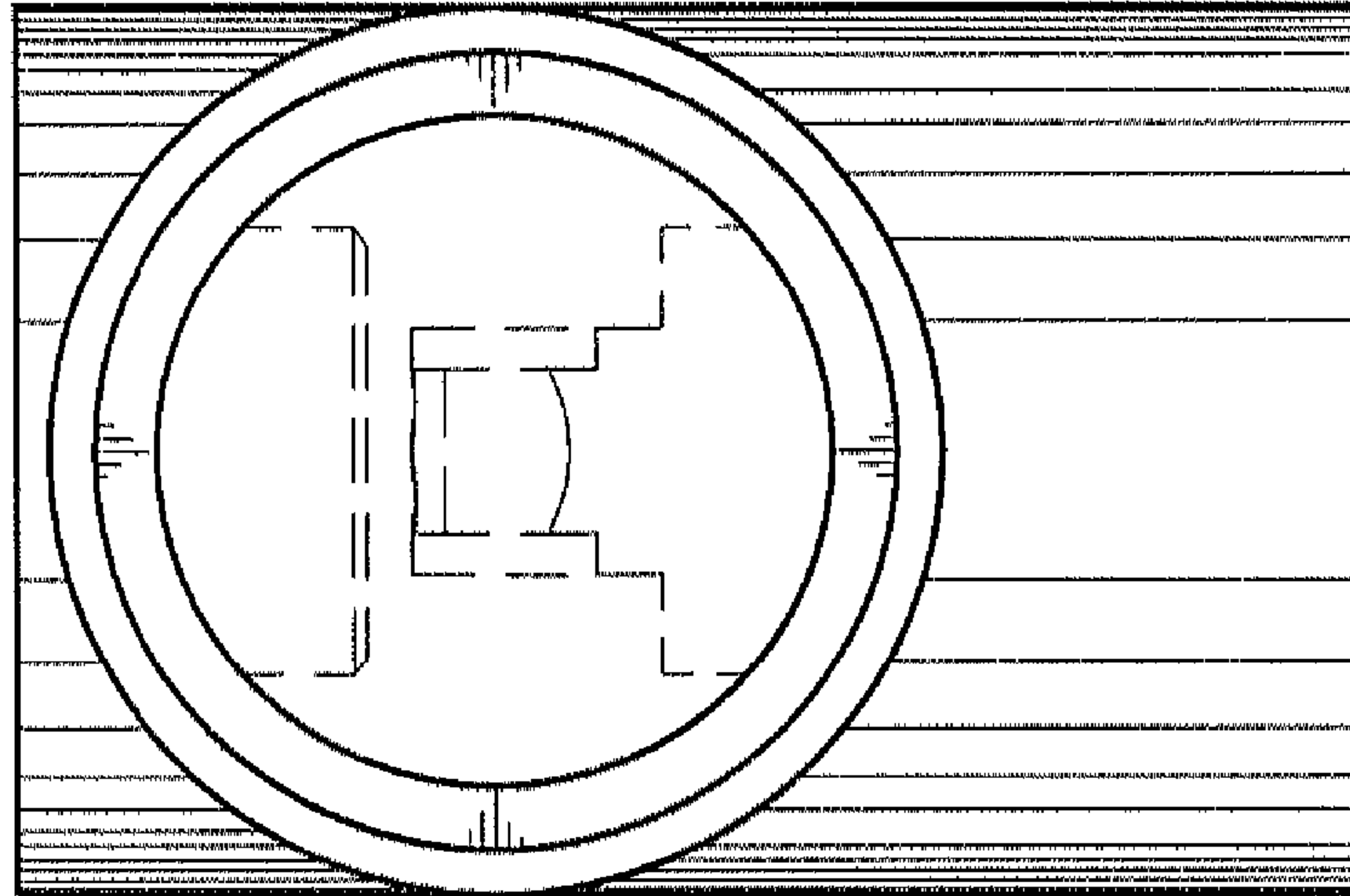


FIG. 6

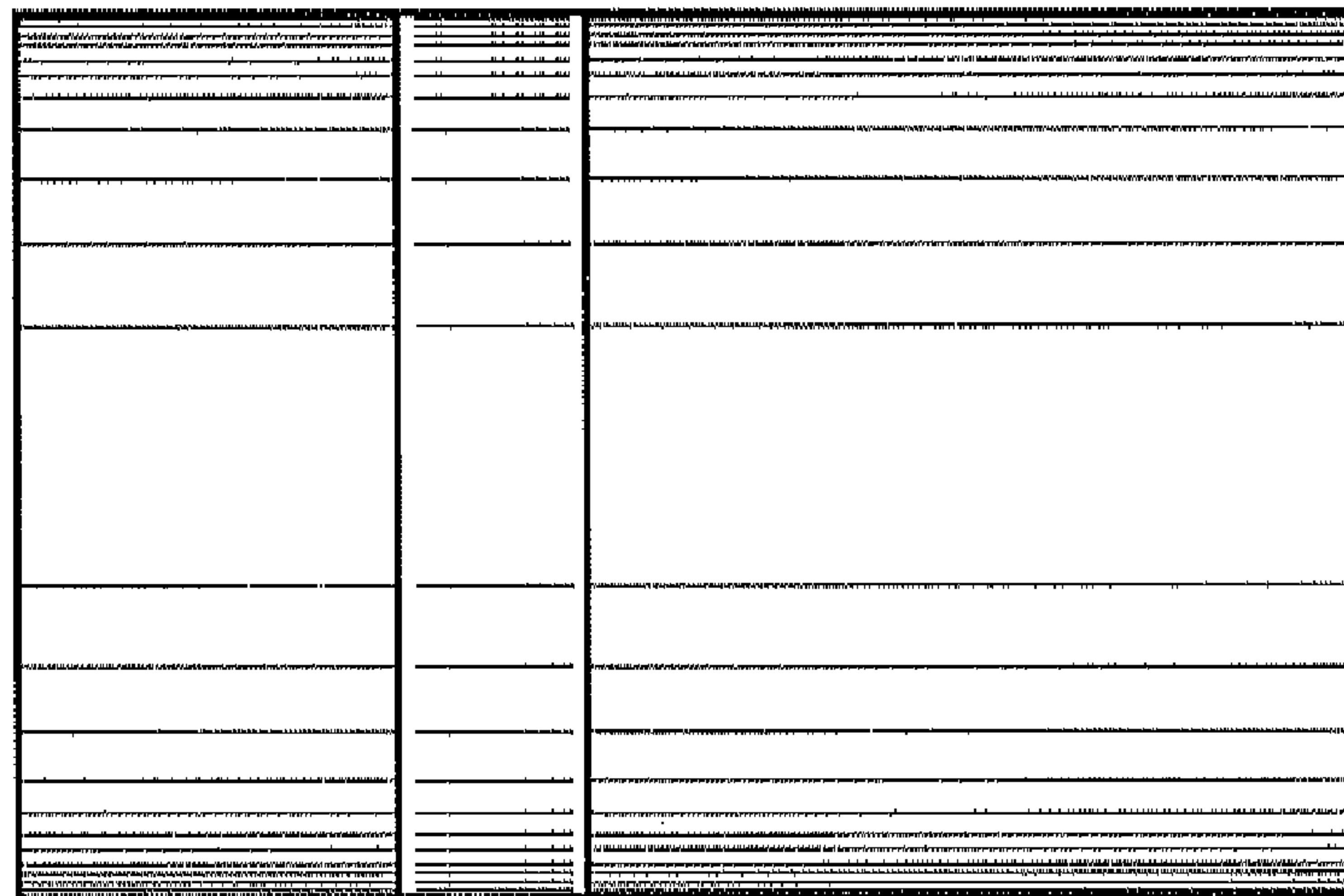


FIG. 7

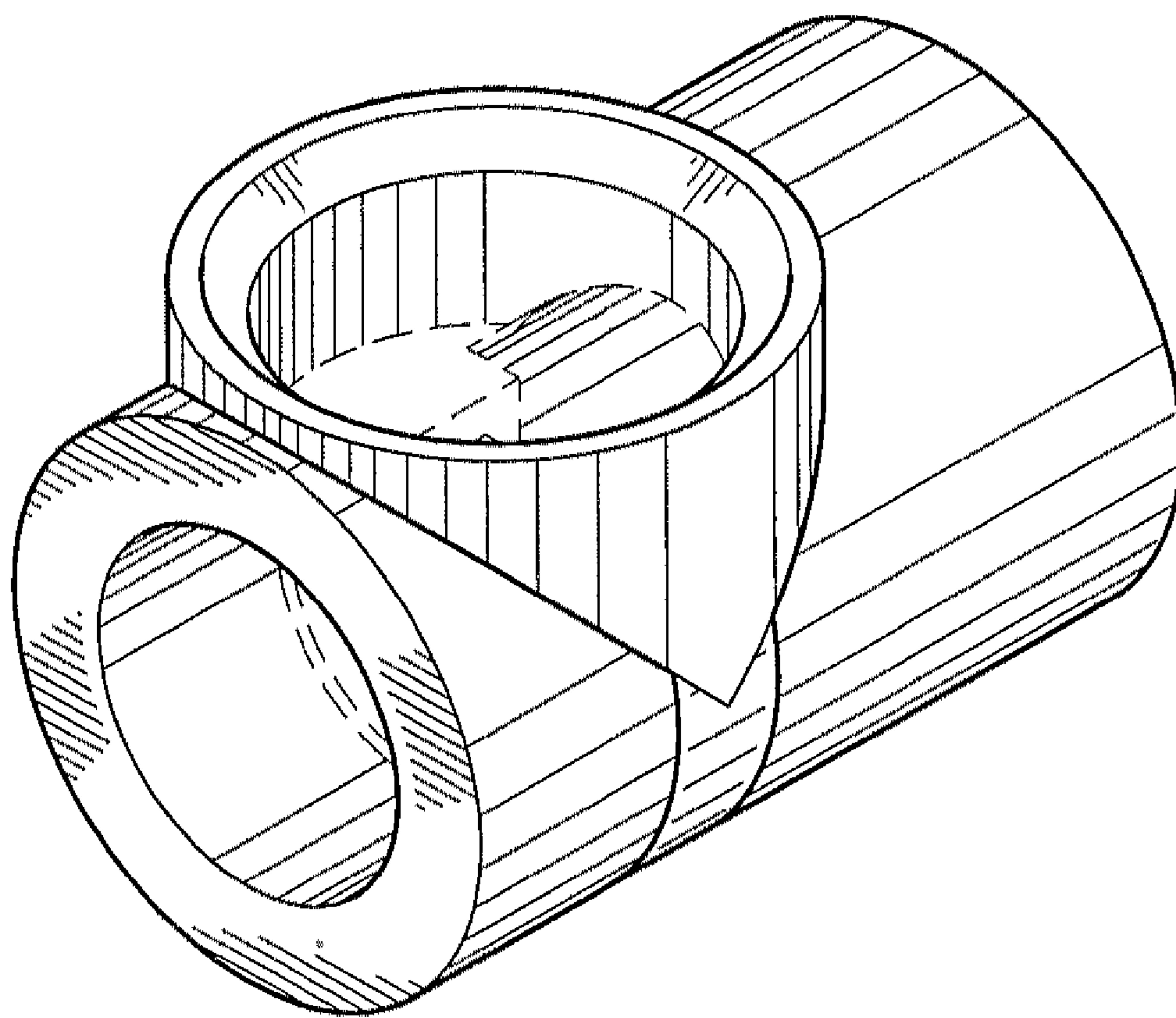


FIG.8