



US00D670747S

(12) **United States Design Patent**
Stroud et al.

(10) **Patent No.:** **US D670,747 S**

(45) **Date of Patent:** **** Nov. 13, 2012**

(54) **ELEVATOR BUFFER**

4,015,835 A * 4/1977 Schumacher et al. 267/124
4,069,897 A * 1/1978 Solymos 187/282

(Continued)

(75) Inventors: **Edward Charles Stroud**, Warwickshire (GB); **Terence David Williams**, West Midlands (GB)

Primary Examiner — Patricia Palasik

(74) *Attorney, Agent, or Firm* — Renner, Otto, Boisselle & Sklar, LLP

(73) Assignee: **T A Savery and Co Ltd**, West Midlands (GB)

(57) **CLAIM**

The ornamental design for an elevator buffer, as shown and described.

(**) Term: **14 Years**

DESCRIPTION

(21) Appl. No.: **29/377,233**

FIG. 1 is a perspective view from above and to one side of an elevator buffer.

(22) Filed: **Oct. 19, 2010**

FIG. 2 is a plan view from above the elevator buffer of FIG. 1. FIG. 3 is a plan view from underneath the elevator buffer of FIG. 1.

(30) **Foreign Application Priority Data**

Apr. 21, 2010	(EM)	1211015-0001
Apr. 21, 2010	(EM)	1211015-0002
Apr. 21, 2010	(EM)	1211015-0003
Apr. 21, 2010	(EM)	1211015-0004
Apr. 21, 2010	(EM)	1211015-0005
Apr. 21, 2010	(EM)	1211015-0006

FIG. 4 is an elevation view from a first side of the elevator buffer of FIG. 1.

FIG. 5 is an elevation view from a second side the elevator buffer of FIG. 1 orthogonal to the first side.

FIG. 6 is an elevation view from a third side the elevator buffer of FIG. 1 orthogonal to the second side.

FIG. 7 is an elevation view from a fourth side the elevator buffer of FIG. 1 orthogonal to the third side.

(51) **LOC (9) Cl.** **15-99**

(52) **U.S. Cl.** **D15/199**

(58) **Field of Classification Search** D12/159;
D13/171; D14/225; D15/199; 16/200; 104/254;
187/343, 344, 373; 188/41, 67, 269, 288,
188/315, 322.17; 267/128, 221; 384/134
See application file for complete search history.

FIG. 8 is a perspective view from above and to one side of a second embodiment of an elevator buffer.

FIG. 9 is a plan view from above the elevator buffer of FIG. 8. FIG. 10 is a plan view from underneath the elevator buffer of FIG. 8.

FIG. 11 is an elevation view from a first side of the elevator buffer of FIG. 8.

FIG. 12 is an elevation view from a second side the elevator buffer of FIG. 8 orthogonal to the first side.

FIG. 13 is an elevation view from a third side the elevator buffer of FIG. 8 orthogonal to the second side; and,

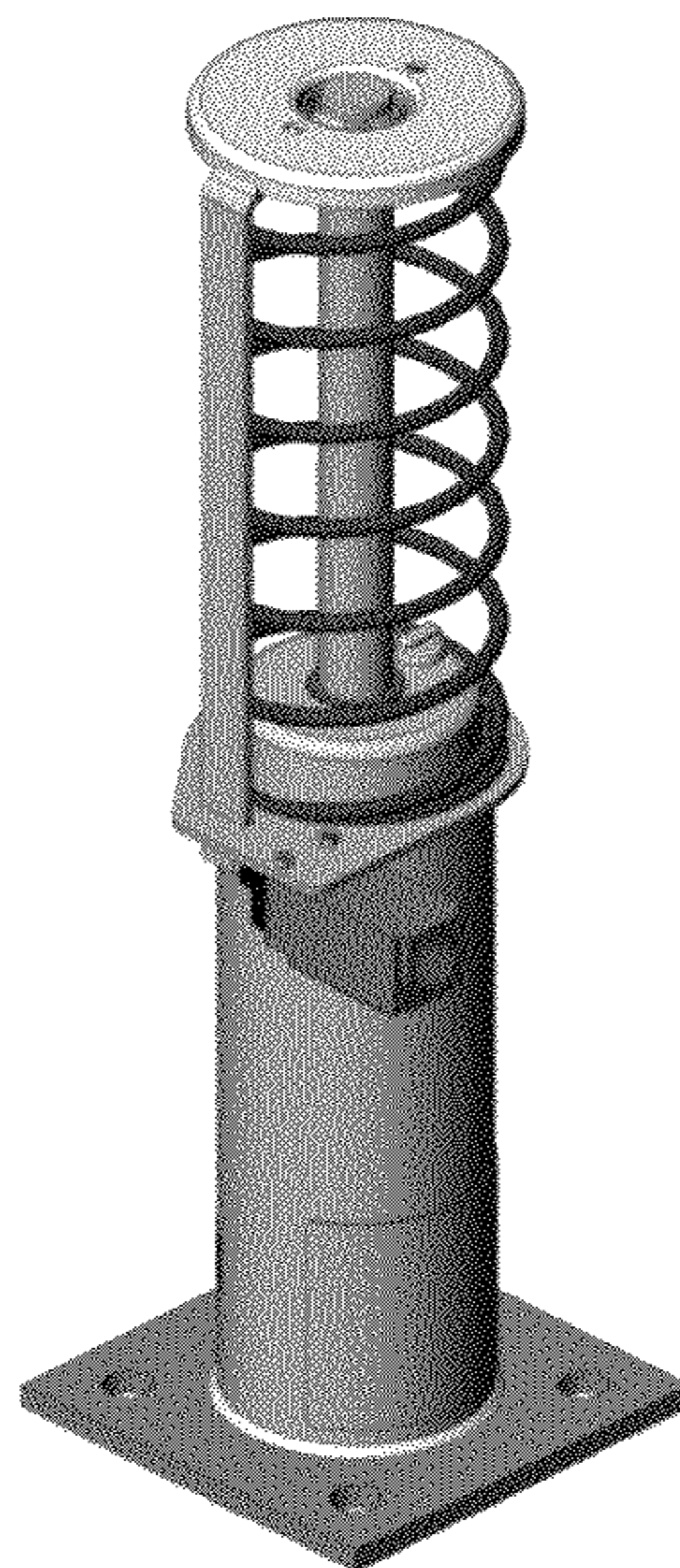
FIG. 14 is an elevation view from a fourth side the elevator buffer of FIG. 8 orthogonal to the third side.

(56) **References Cited**

U.S. PATENT DOCUMENTS

1,473,692	A *	11/1923	Atkinson	188/288
1,581,458	A *	4/1926	Lindquist	187/343
1,803,762	A *	5/1931	Marks	187/376
1,873,807	A *	8/1932	Arnold	267/128
1,929,672	A *	10/1933	Brannon	187/344

1 Claim, 14 Drawing Sheets



US D670,747 S

Page 2

U.S. PATENT DOCUMENTS

4,106,412	A *	8/1978	Farris et al.	105/198.3	7,216,861	B1 *	5/2007	LaBarbera	267/221
4,512,444	A *	4/1985	Koppensteiner	188/67	7,287,626	B2 *	10/2007	Kigawa et al.	187/344
4,635,907	A *	1/1987	Bialy et al.	267/221	D587,501	S *	3/2009	Lenterman	D6/501
D302,672	S *	8/1989	Ueno	D12/159	2002/0125623	A1 *	9/2002	Kessen et al.	267/221
4,926,981	A *	5/1990	Bruehl et al.	188/111	2003/0217895	A1 *	11/2003	Kigawa et al.	187/344
6,142,268	A *	11/2000	Kuo-An	188/274	2004/0026196	A1 *	2/2004	Huisman	188/322.16
6,827,184	B1 *	12/2004	Lin	188/321.11	2010/0243379	A1 *	9/2010	Taavela	187/343
6,883,790	B2 *	4/2005	Bottene et al.	267/180					

* cited by examiner

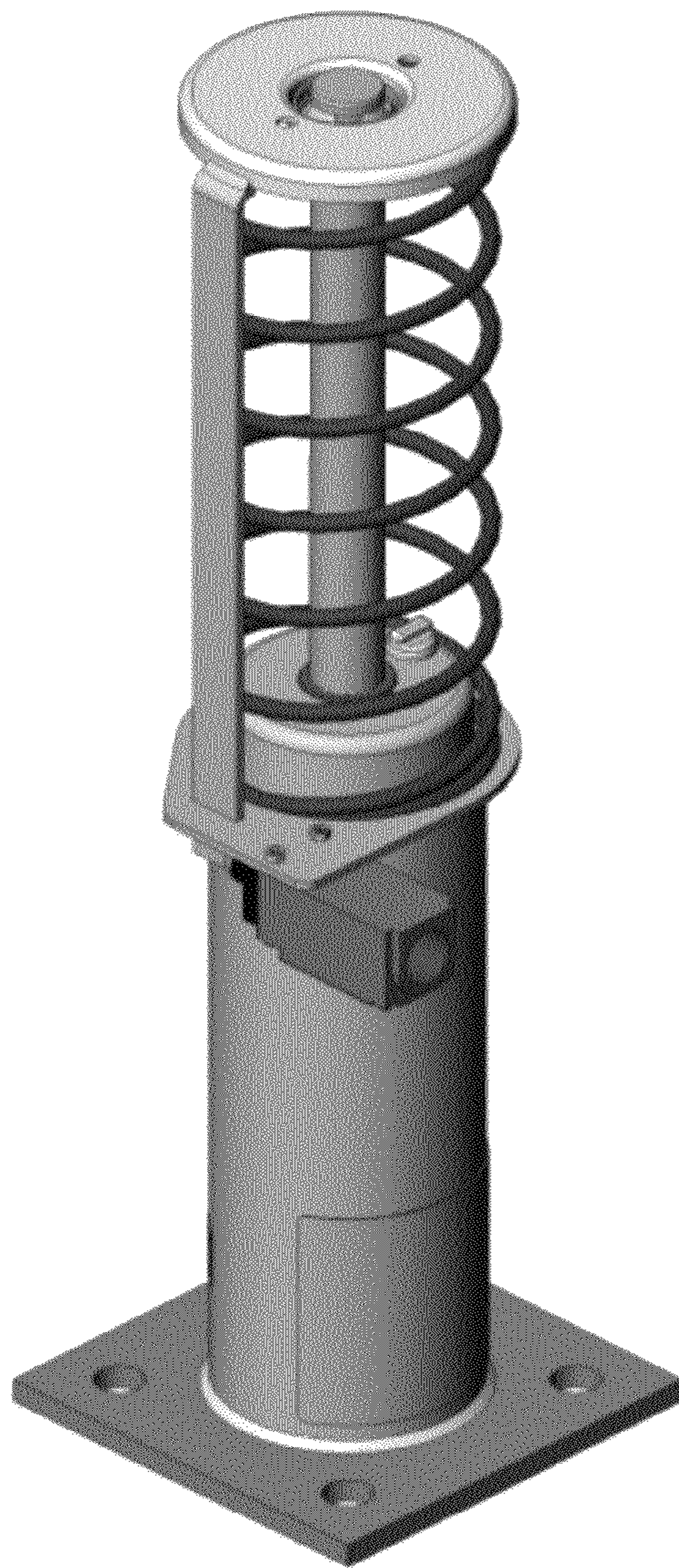


Fig. 1

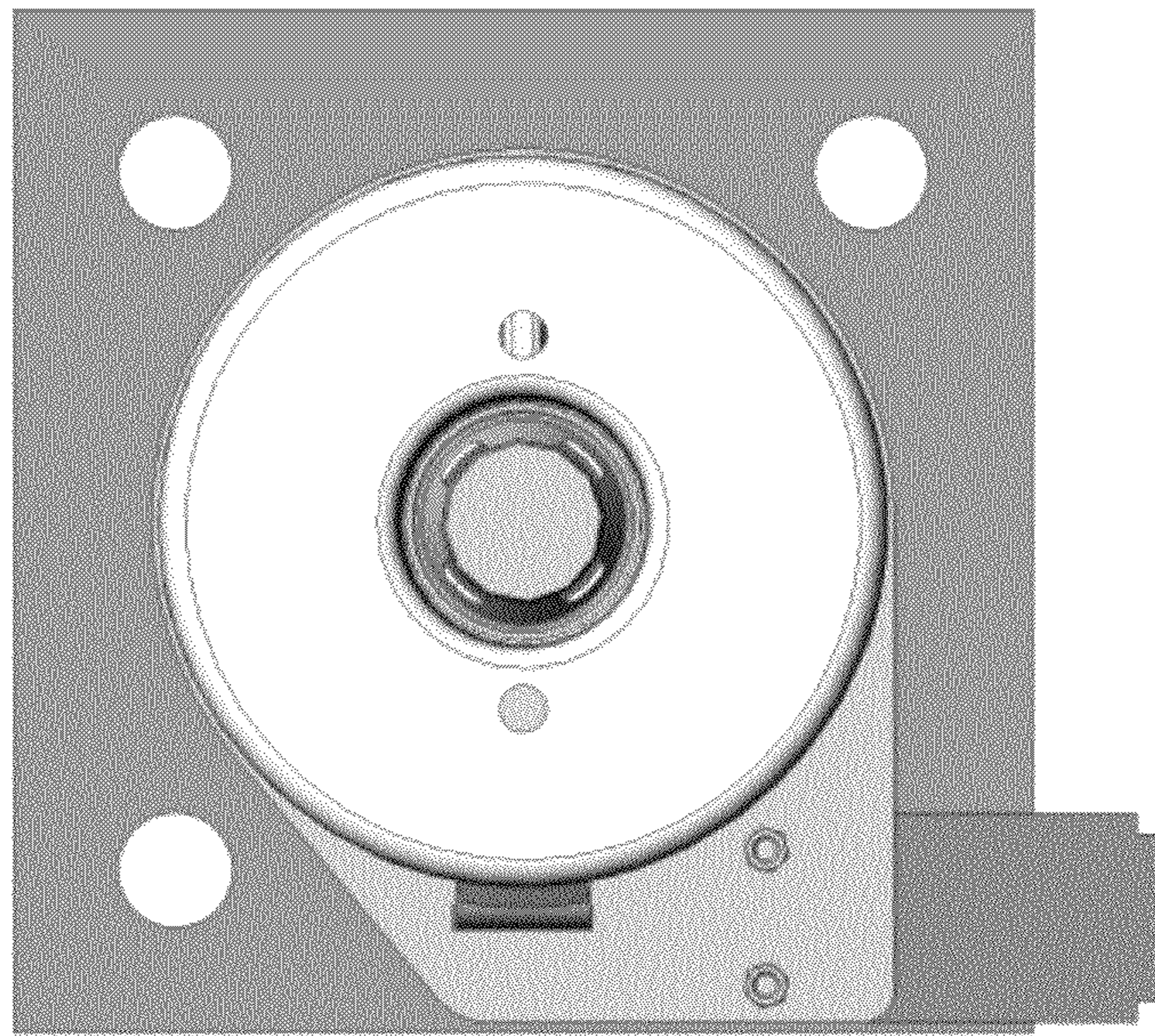


Fig. 2

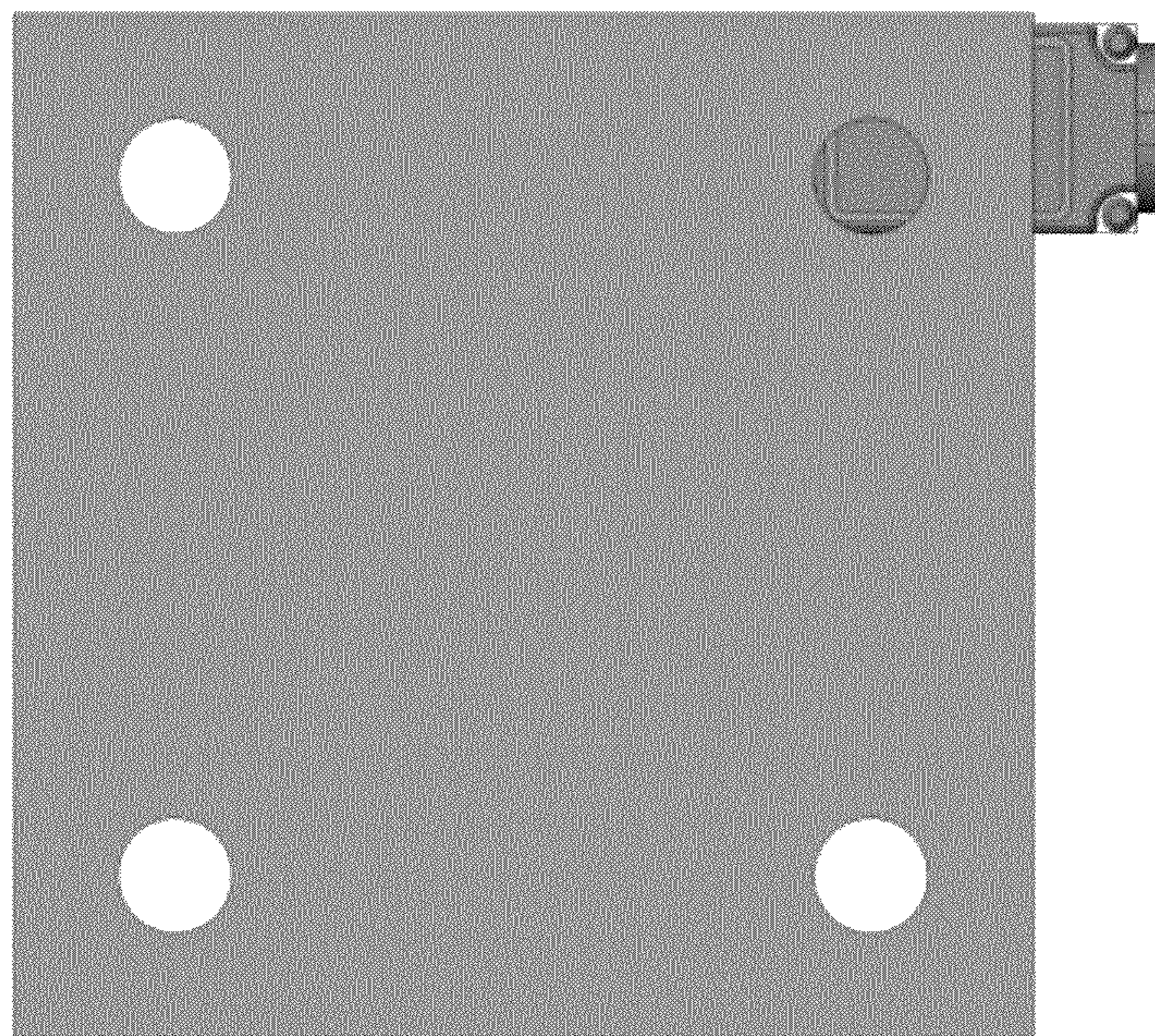


Fig. 3

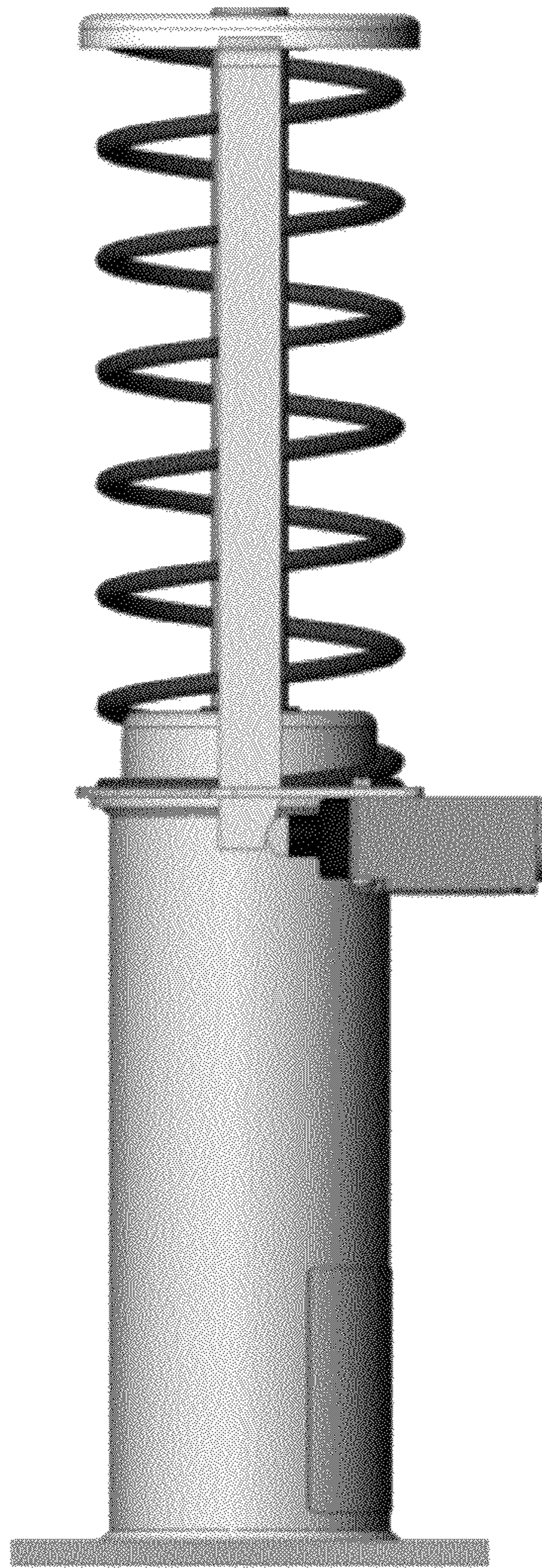


Fig. 4

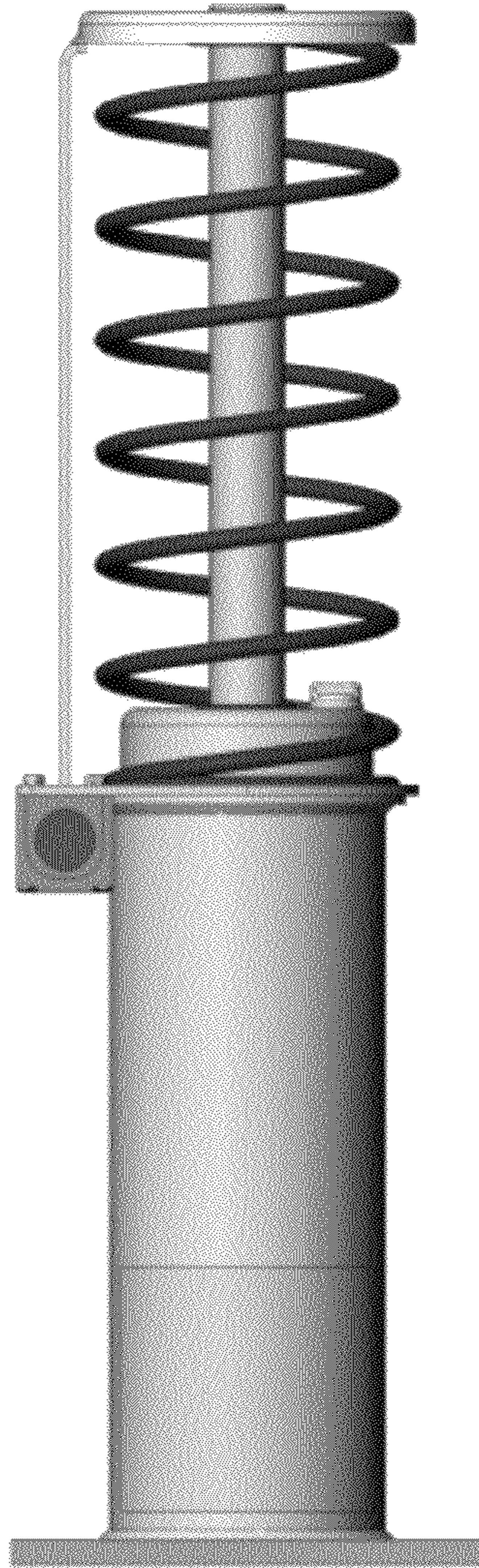


Fig. 5

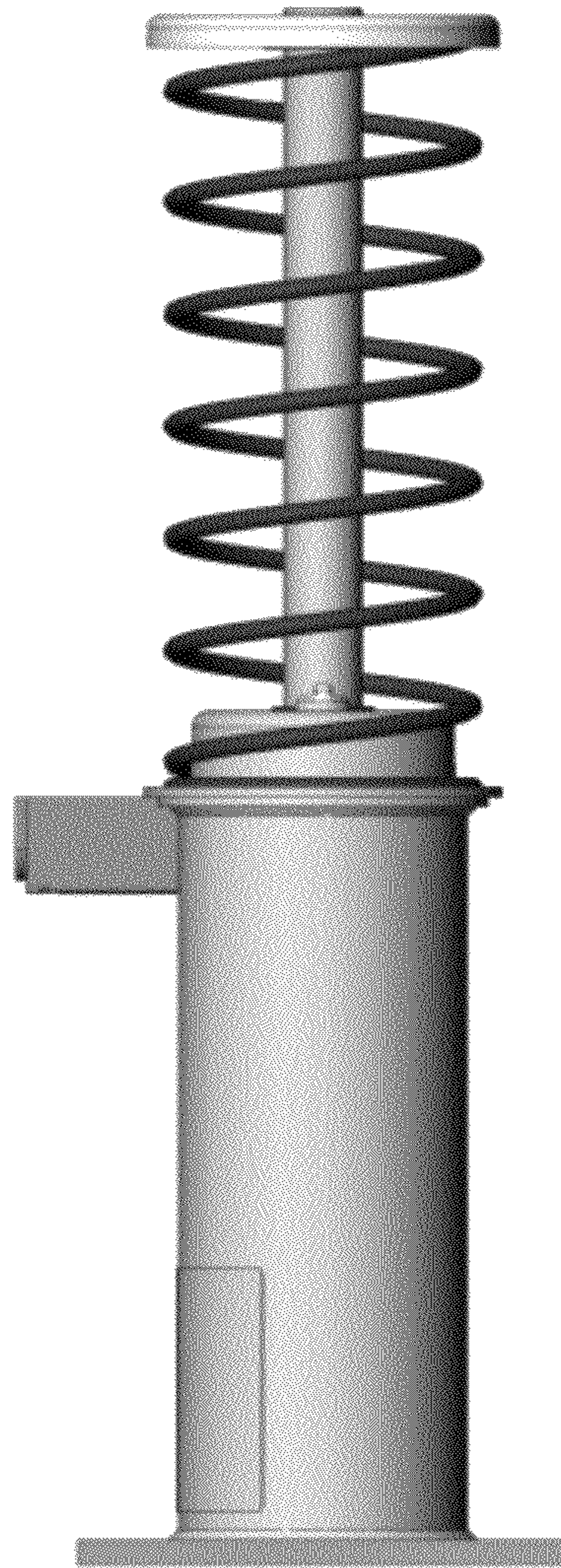


Fig. 6

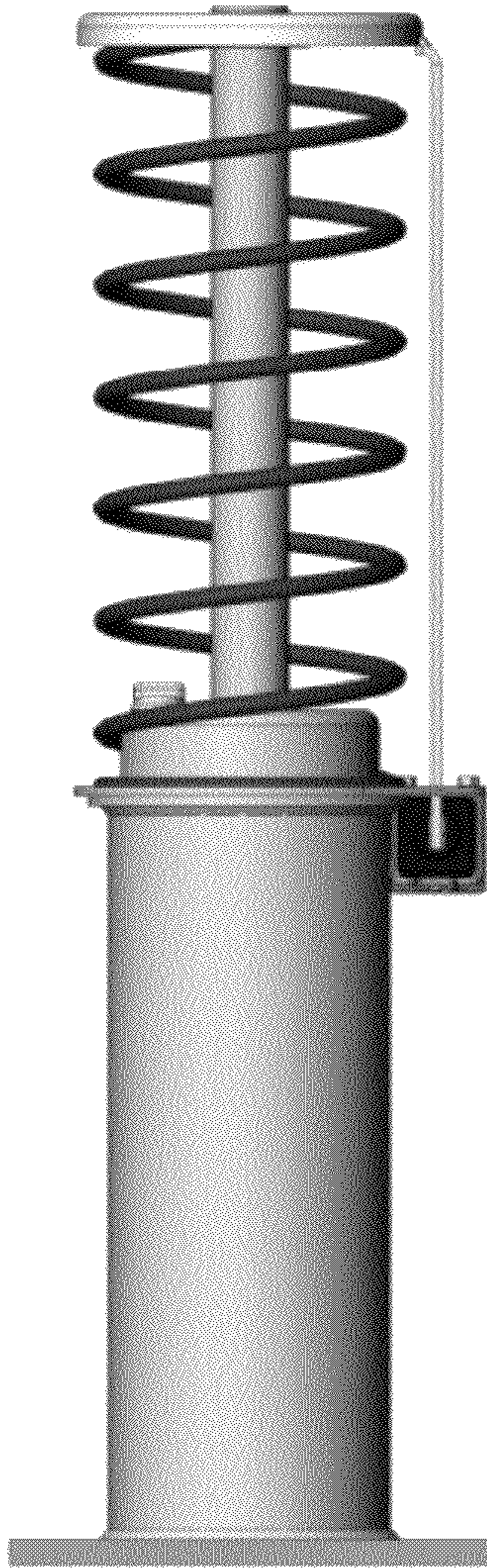


Fig. 7

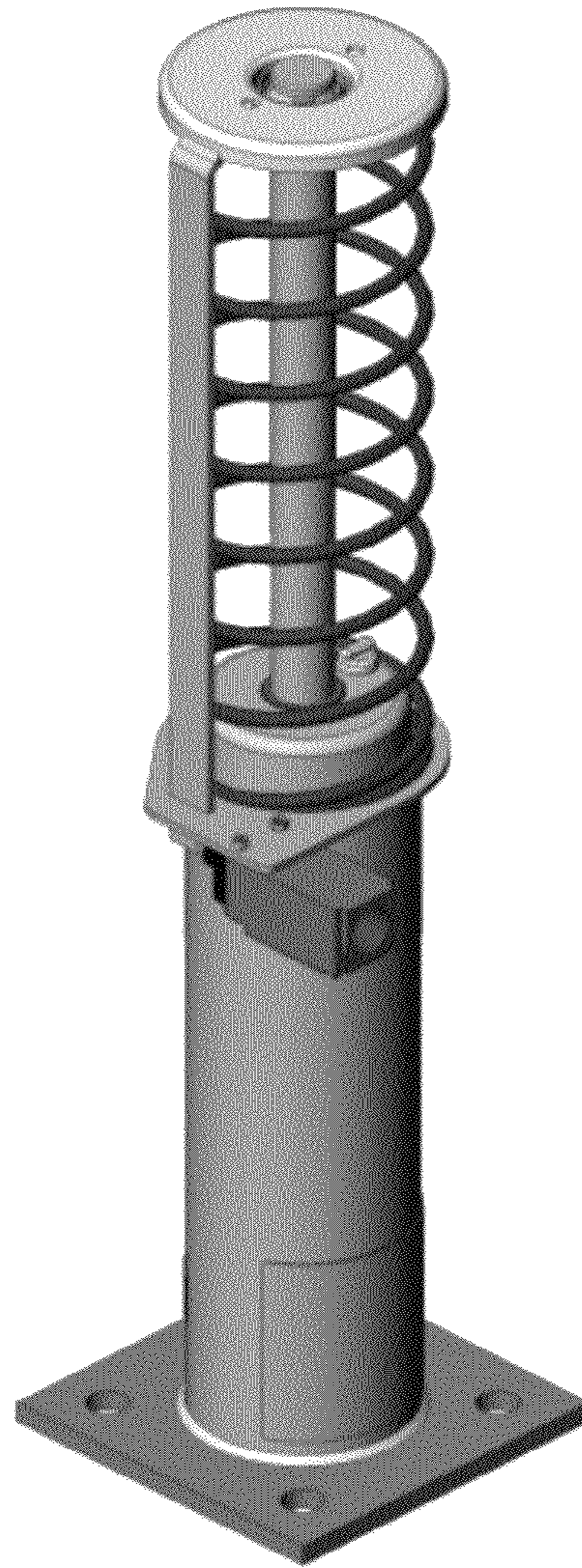


Fig. 8

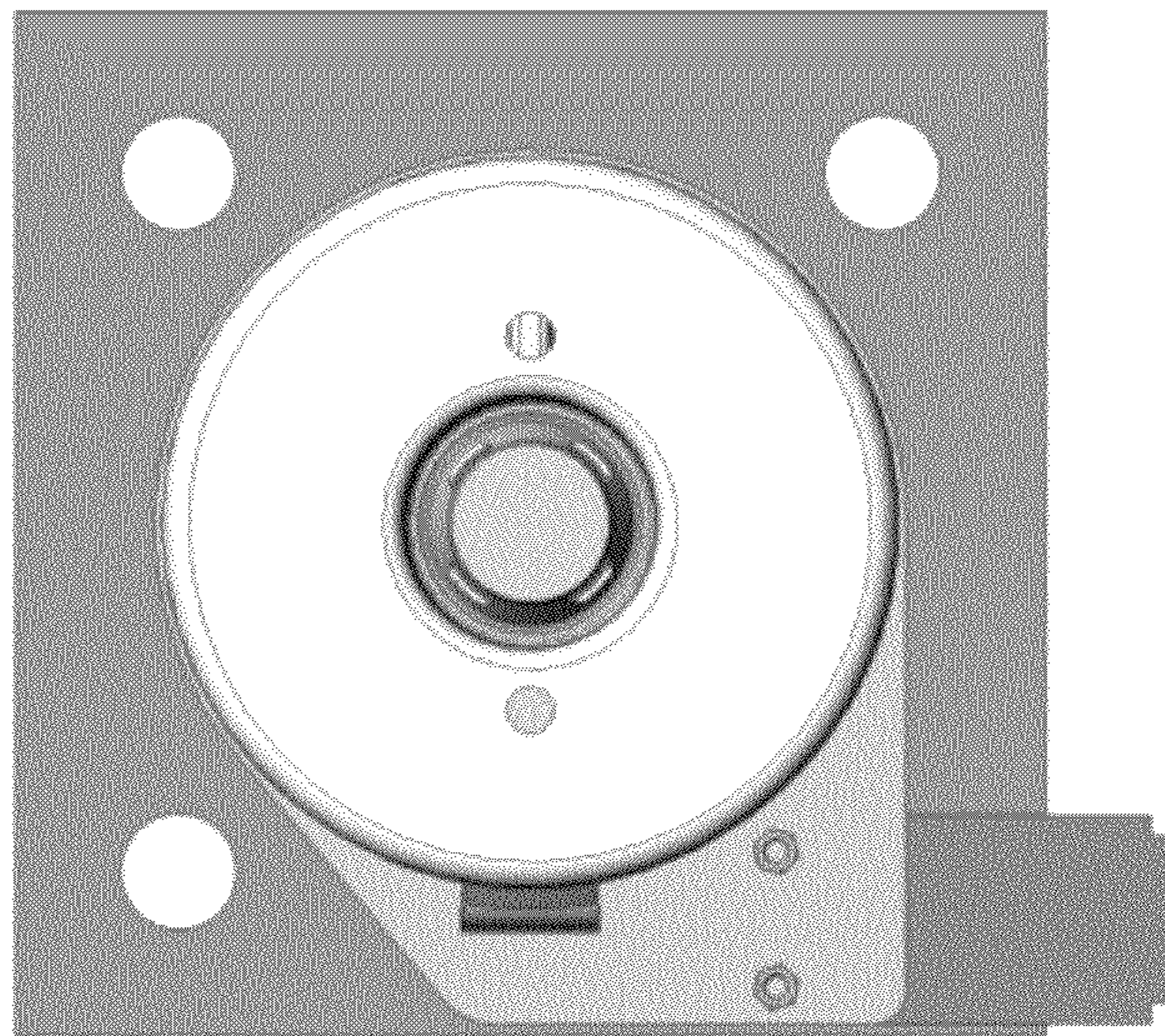


Fig. 9

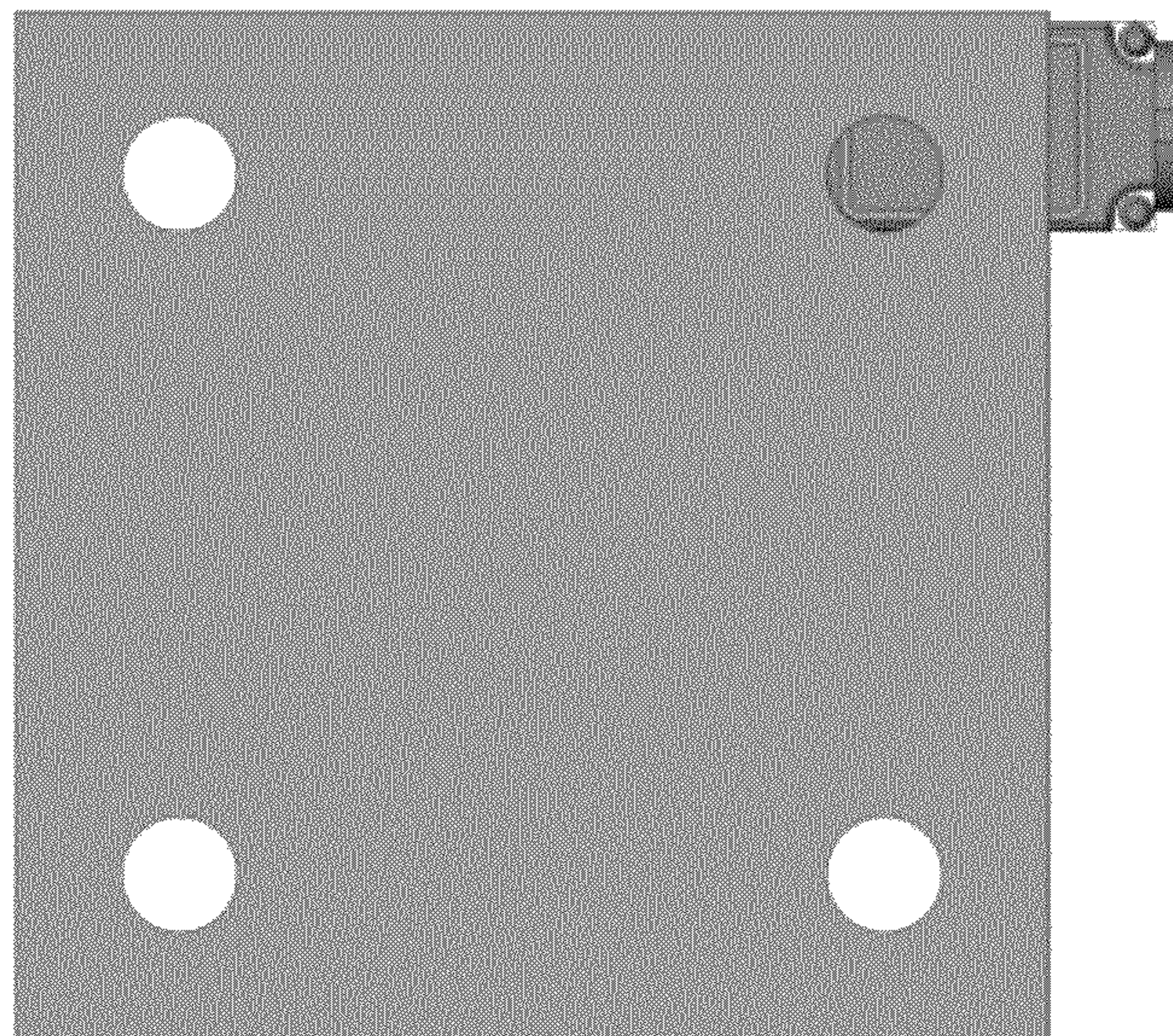


Fig. 10

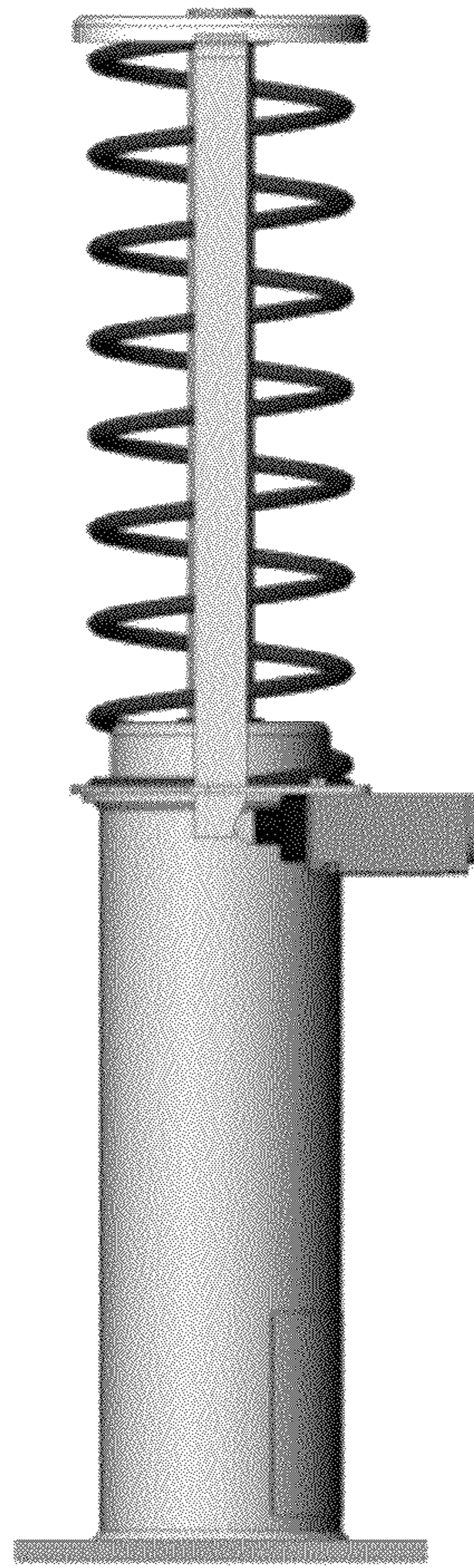


Fig. 11

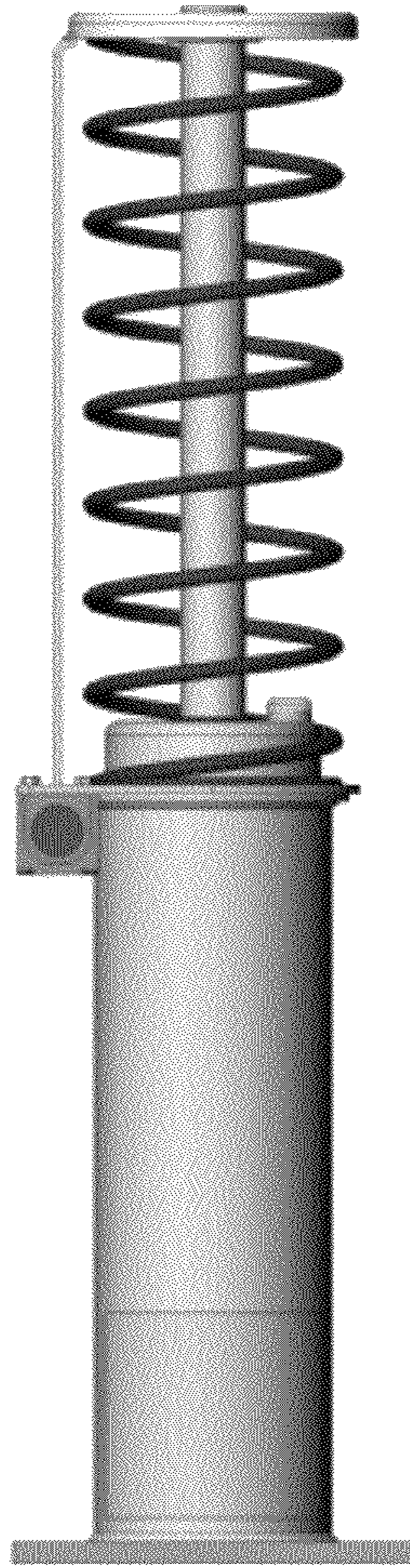


Fig. 12

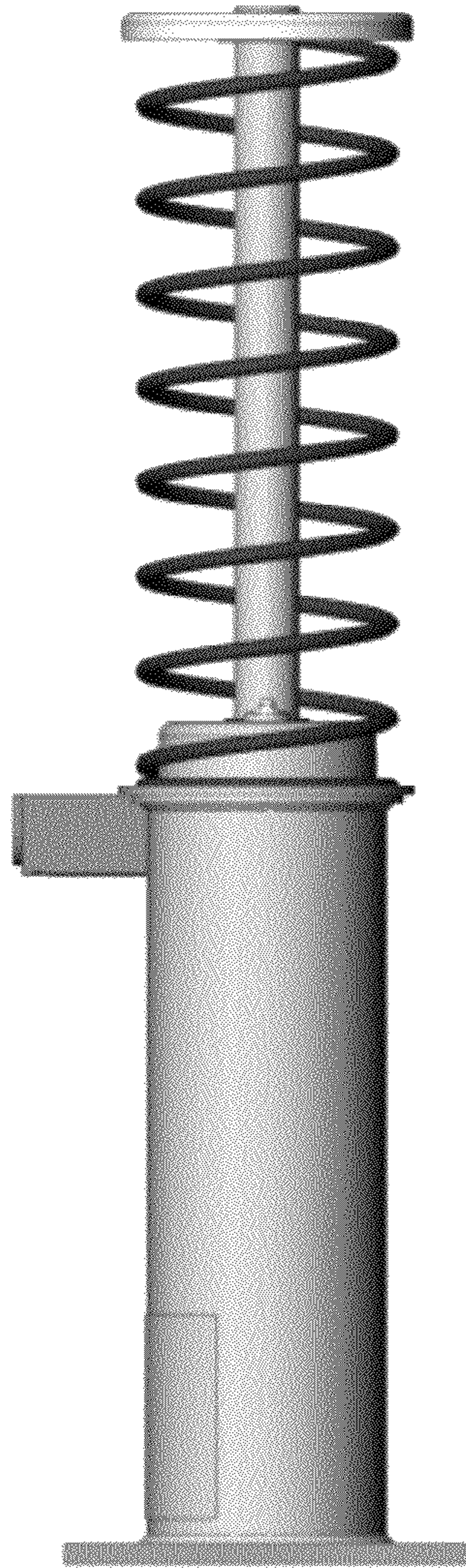


Fig. 13

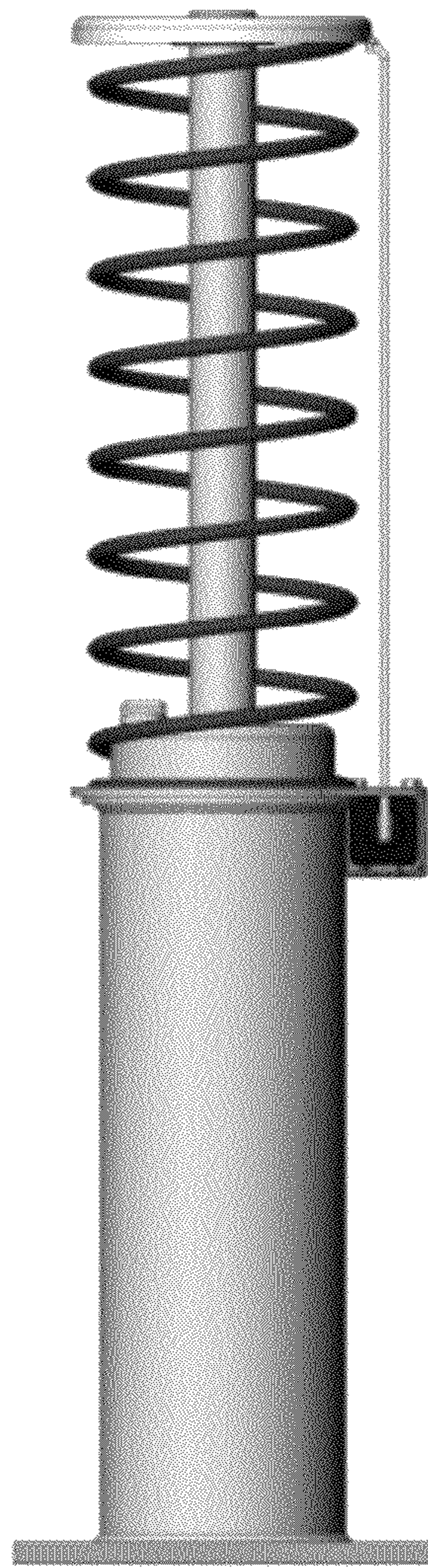


Fig. 14