



US00D670745S

(12) **United States Design Patent**  
**Warr**

(10) **Patent No.:** **US D670,745 S**

(45) **Date of Patent:** **\*\* Nov. 13, 2012**

(54) **CAB MODULE**

(75) Inventor: **Owen J. Warr**, Muskego, WI (US)

(73) Assignee: **Harnischfeger Technologies, Inc.**,  
Wilmington, DE (US)

(\*\*) Term: **14 Years**

(21) Appl. No.: **29/423,232**

(22) Filed: **May 30, 2012**

**Related U.S. Application Data**

(63) Continuation of application No. 29/407,732, filed on  
Dec. 1, 2011.

(51) **LOC (9) Cl.** ..... **15-03**

(52) **U.S. Cl.** ..... **D15/30**

(58) **Field of Classification Search** ..... D15/10,  
D15/22-26, 28, 30, 31; 180/89.11, 89.12,  
180/89.13, 89.19, 900; 296/190.01, 190.08,  
296/210, 190, 202

See application file for complete search history.

(56) **References Cited**

**U.S. PATENT DOCUMENTS**

D249,523 S	9/1978	Segales
4,278,144 A	7/1981	Perin
4,344,356 A	8/1982	Casterton et al.
D273,494 S	4/1984	Hurlburt et al.
D275,199 S	8/1984	Schmidt et al.
4,480,867 A	11/1984	Ezell et al.
4,492,151 A	1/1985	Mattei
4,612,975 A	9/1986	Ikari
4,616,725 A	10/1986	McDaniel
D288,206 S	2/1987	Moschovitch

D292,632 S	11/1987	Lich
4,771,855 A	9/1988	Takashima et al.
4,846,529 A	7/1989	Tulley
D323,659 S	2/1992	Jacobsson
5,275,255 A	1/1994	Huntley et al.
5,308,279 A	5/1994	Grinberg

(Continued)

**FOREIGN PATENT DOCUMENTS**

GB 1022623 3/1966

**OTHER PUBLICATIONS**

PCT/US11/26646 International Search Report and Written Opinion  
dated Apr. 13, 2011 (13 pages).

(Continued)

*Primary Examiner* — Mark Goodwin

(74) *Attorney, Agent, or Firm* — Michael Best & Friedrich  
LLP

(57) **CLAIM**

I claim the ornamental design for a cab module, as shown and  
described.

**DESCRIPTION**

FIG. 1 is a perspective view of a cab module showing my new  
design.

FIG. 2 is a front view of the cab module shown in FIG. 1.

FIG. 3 is a rear view of the cab module shown in FIG. 1.

FIG. 4 is a right side view of the cab module shown in FIG. 1.

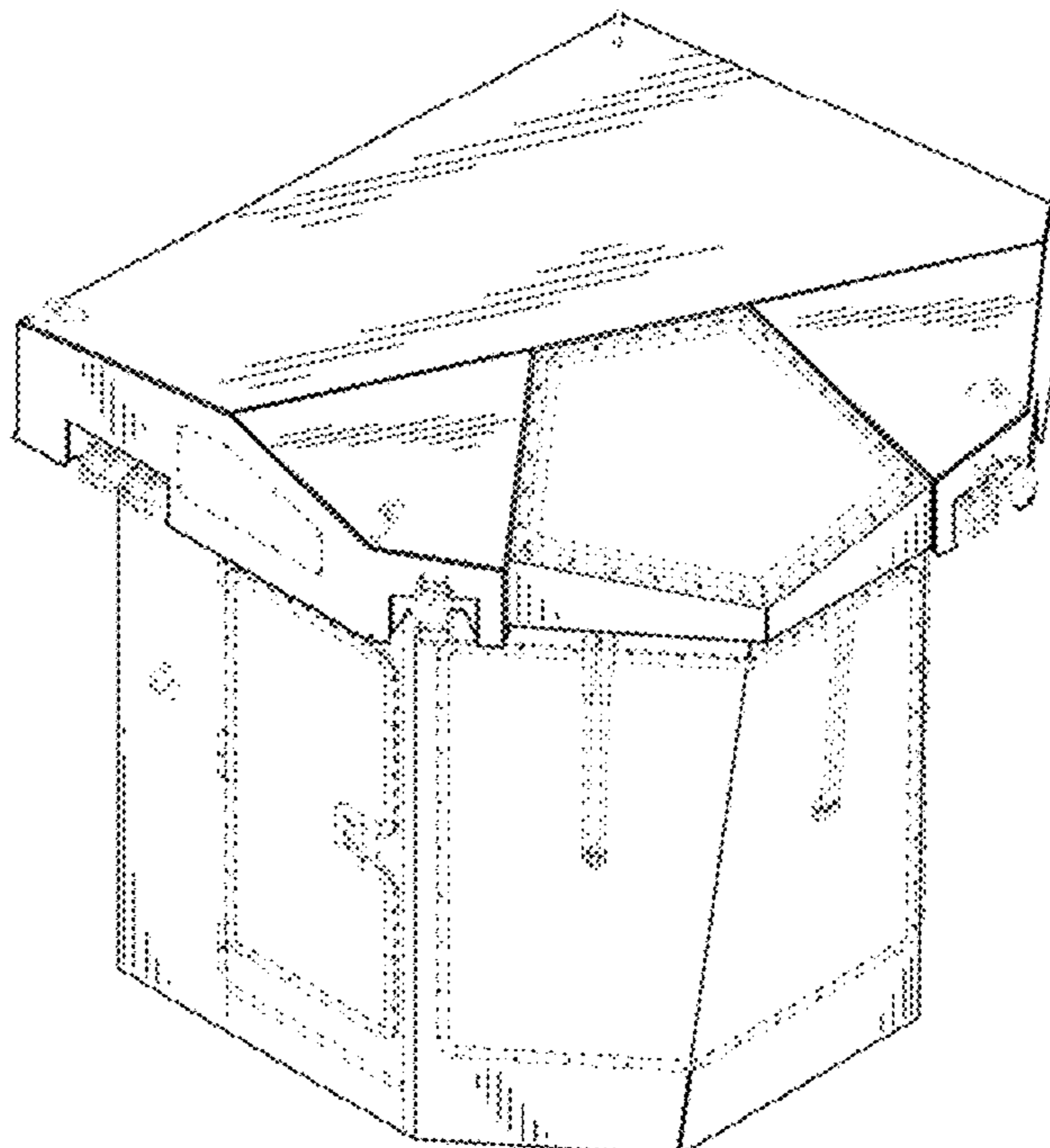
FIG. 5 is a left side view of the cab module shown in FIG. 1.

FIG. 6 is a top view of the cab module shown in FIG. 1; and,

FIG. 7 is a bottom view of the cab module shown in FIG. 1.

The broken lines shown in the drawings are for illustrative  
purposes only and form no part of the claimed design.

**1 Claim, 7 Drawing Sheets**



# US D670,745 S

Page 2

## U.S. PATENT DOCUMENTS

D348,270 S 6/1994 Lehmann-Brendel et al.  
D366,267 S 1/1996 Lepoix  
5,890,764 A 4/1999 Lee  
5,992,156 A 11/1999 Isobe et al.  
6,012,295 A 1/2000 Isobe et al.  
6,022,182 A 2/2000 Everett  
6,186,573 B1 2/2001 Thurab  
6,196,308 B1 3/2001 Halligan  
D463,462 S 9/2002 Yanagida et al.  
6,543,848 B1 4/2003 Suga et al.  
6,557,919 B2 5/2003 Suga et al.  
6,572,172 B1 6/2003 Ninomiya et al.  
6,578,854 B2 6/2003 Wucherpfennig et al.  
D479,536 S 9/2003 Dahl et al.  
6,684,969 B1 2/2004 Flowers et al.  
6,755,270 B2 6/2004 Saarinen  
D497,920 S 11/2004 Antonetti  
6,955,239 B2 10/2005 Ueda et al.  
6,981,746 B2 1/2006 Chung et al.  
7,036,883 B1 5/2006 Thompson et al.  
D523,029 S 6/2006 Crawford et al.  
7,059,680 B2 6/2006 Billger et al.  
7,069,736 B2 7/2006 Kamimae et al.  
7,083,019 B2 8/2006 Chiou et al.  
D528,134 S 9/2006 Vandendriessche et al.  
D531,647 S 11/2006 Stender et al.  
D535,310 S \* 1/2007 Kuwae et al. .... D15/30  
7,159,687 B2 1/2007 Dunn et al.  
D541,825 S 5/2007 Pettersson

D541,826 S 5/2007 Brush et al.  
7,294,181 B1 11/2007 Smith  
D561,205 S 2/2008 Pettersson  
7,347,299 B2 3/2008 Billger et al.  
D579,028 S 10/2008 VanDeVeer et al.  
7,434,863 B2 10/2008 Hamazaki et al.  
7,520,567 B2 4/2009 Billger et al.  
7,575,276 B1 8/2009 Henry  
D605,207 S 12/2009 Menges et al.  
7,681,630 B2 3/2010 Klassen et al.  
D614,674 S 4/2010 Hobenshield et al.  
D635,156 S 3/2011 Berning et al.  
D636,795 S 4/2011 Yamamoto et al.  
D637,630 S 5/2011 Yamamoto et al.  
D642,205 S 7/2011 Yamamoto et al.  
2003/0070900 A1 4/2003 Elwell  
2006/0061122 A1 3/2006 Billger et al.  
2006/0144634 A1 7/2006 Portscheller et al.  
2009/0276122 A1 11/2009 Demong et al.  
2010/0300796 A1 12/2010 Ryan et al.

## OTHER PUBLICATIONS

Peterson et al., U.S. Appl. No. 13/037,878, filed Mar. 1, 2011.  
Krellner et al., U.S. Appl. No. 13/369,622, filed Feb. 9, 2012.  
Buchsbaum, "Foresight Energy Invests in Illinois: The Cline Group constructs four underground coal mining complexes," Coal Age, Dec. 2010.

\* cited by examiner

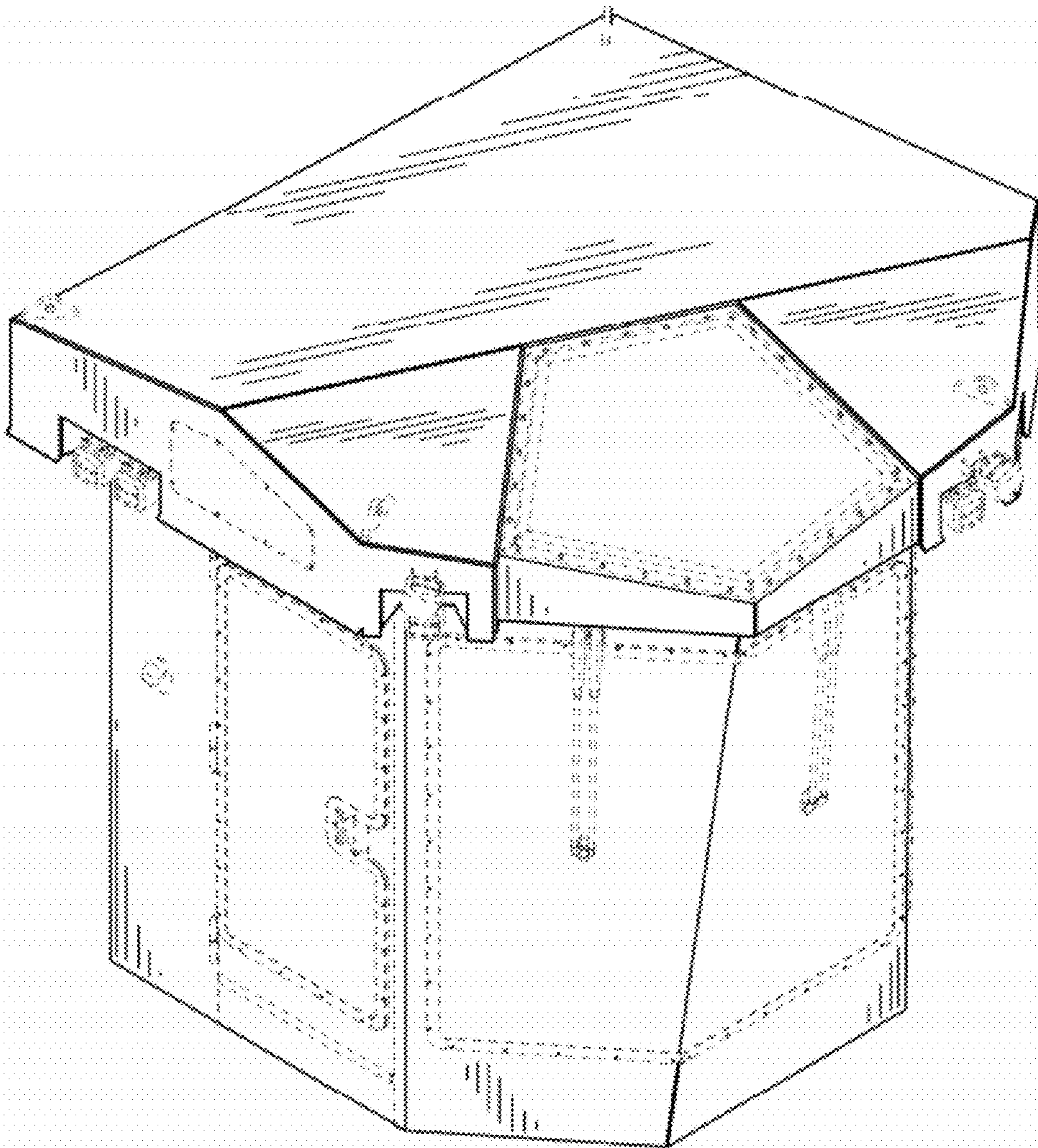


FIG. 1



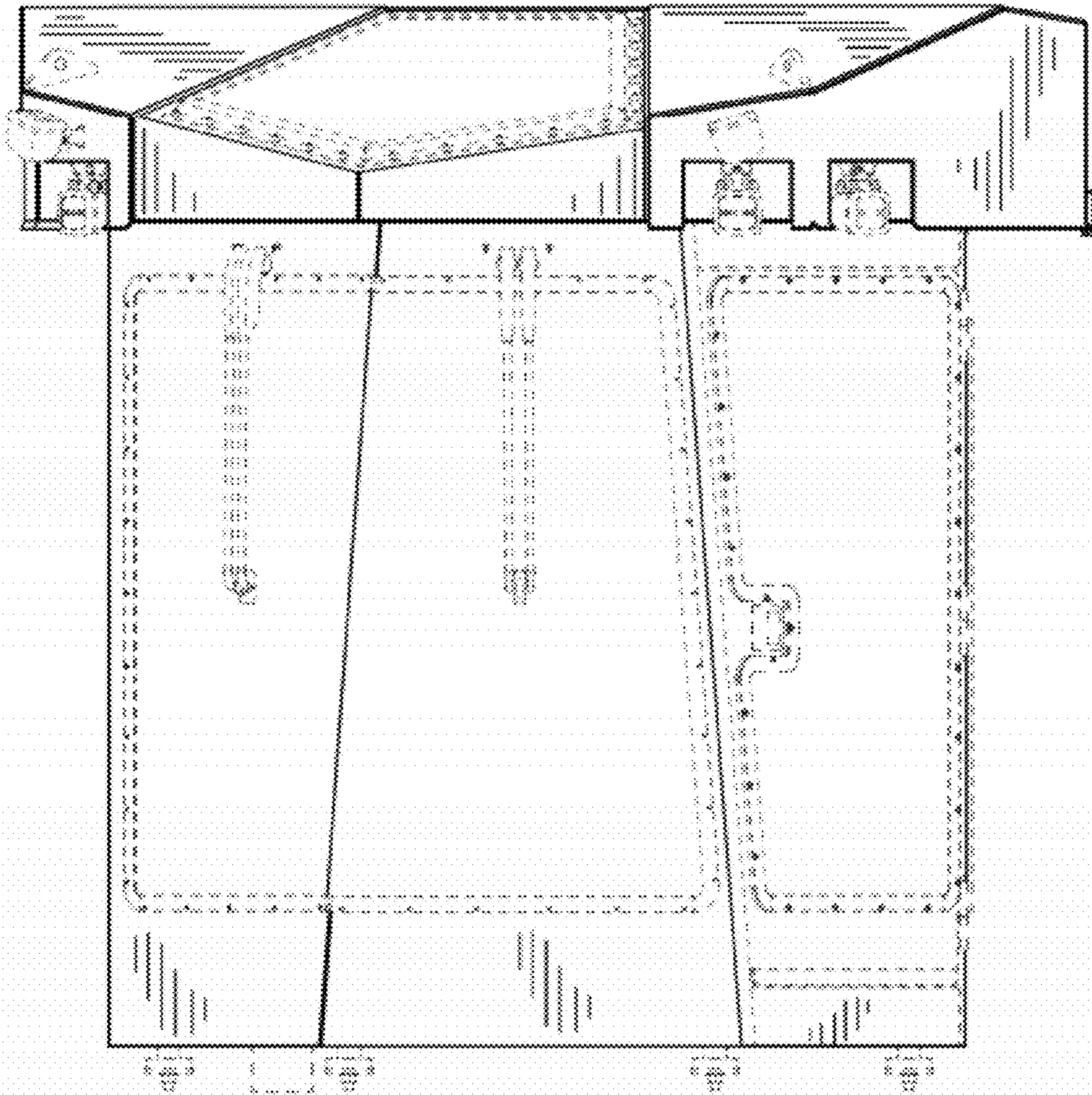


FIG. 2

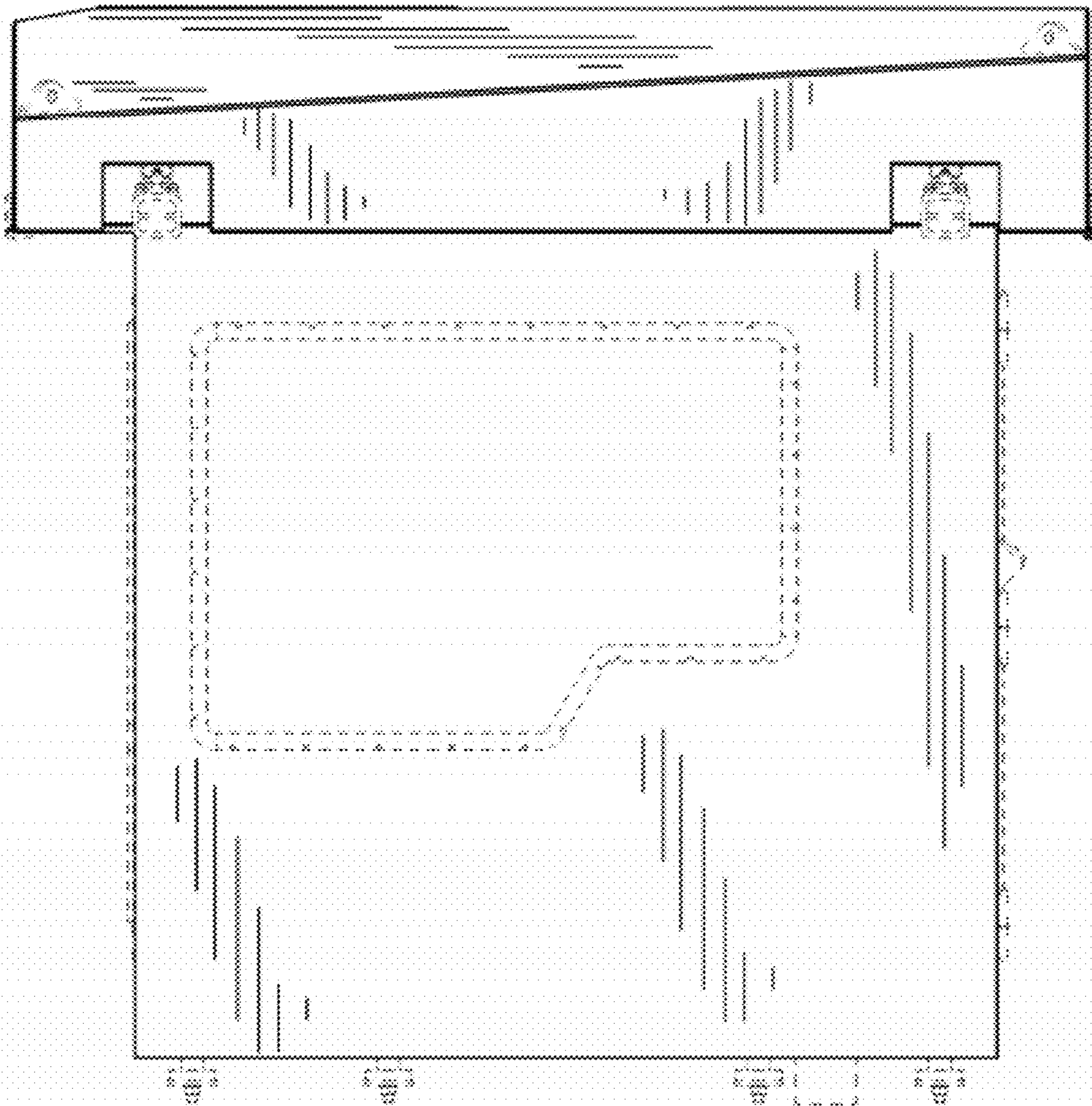


FIG. 3

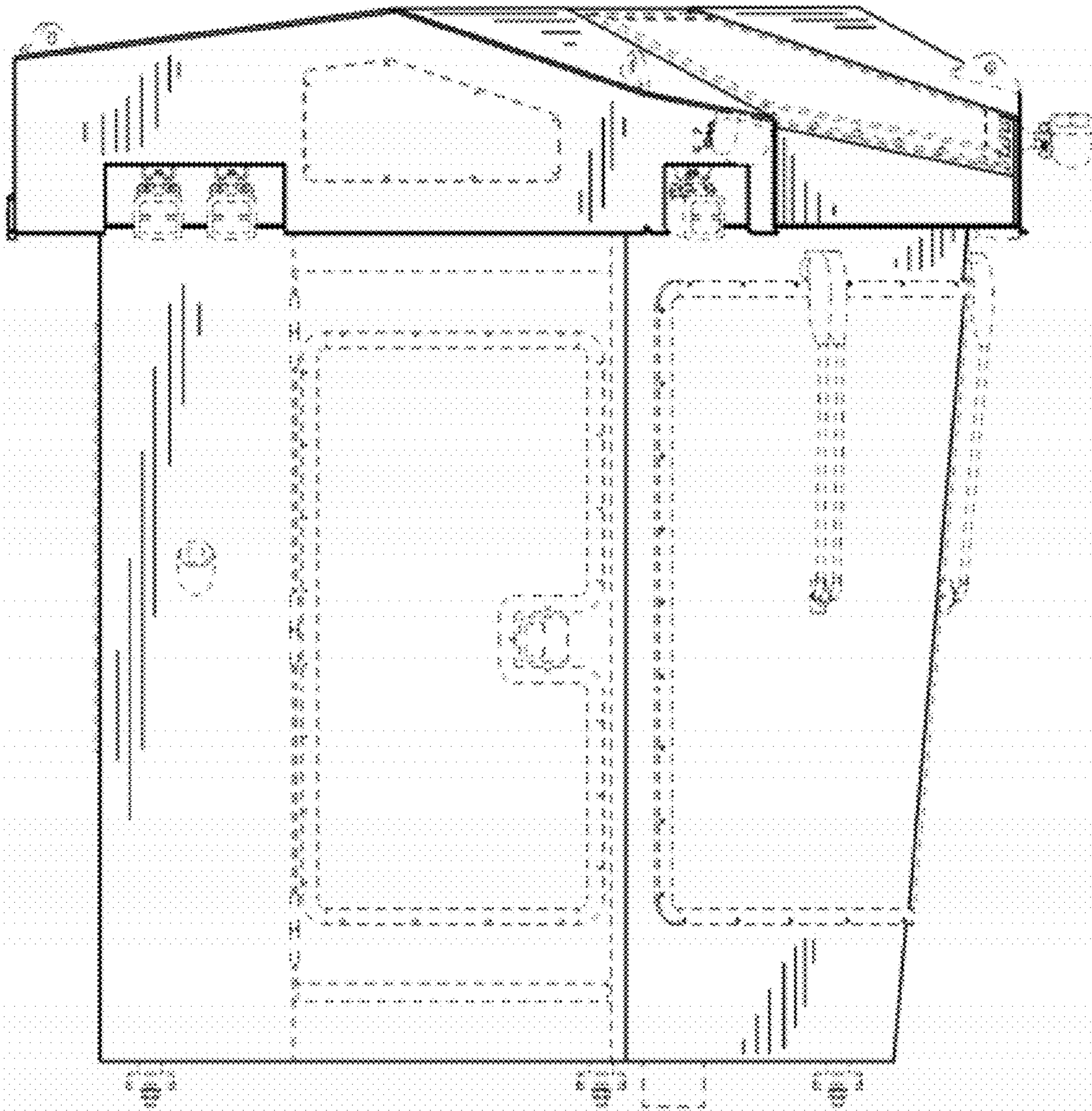


FIG. 4



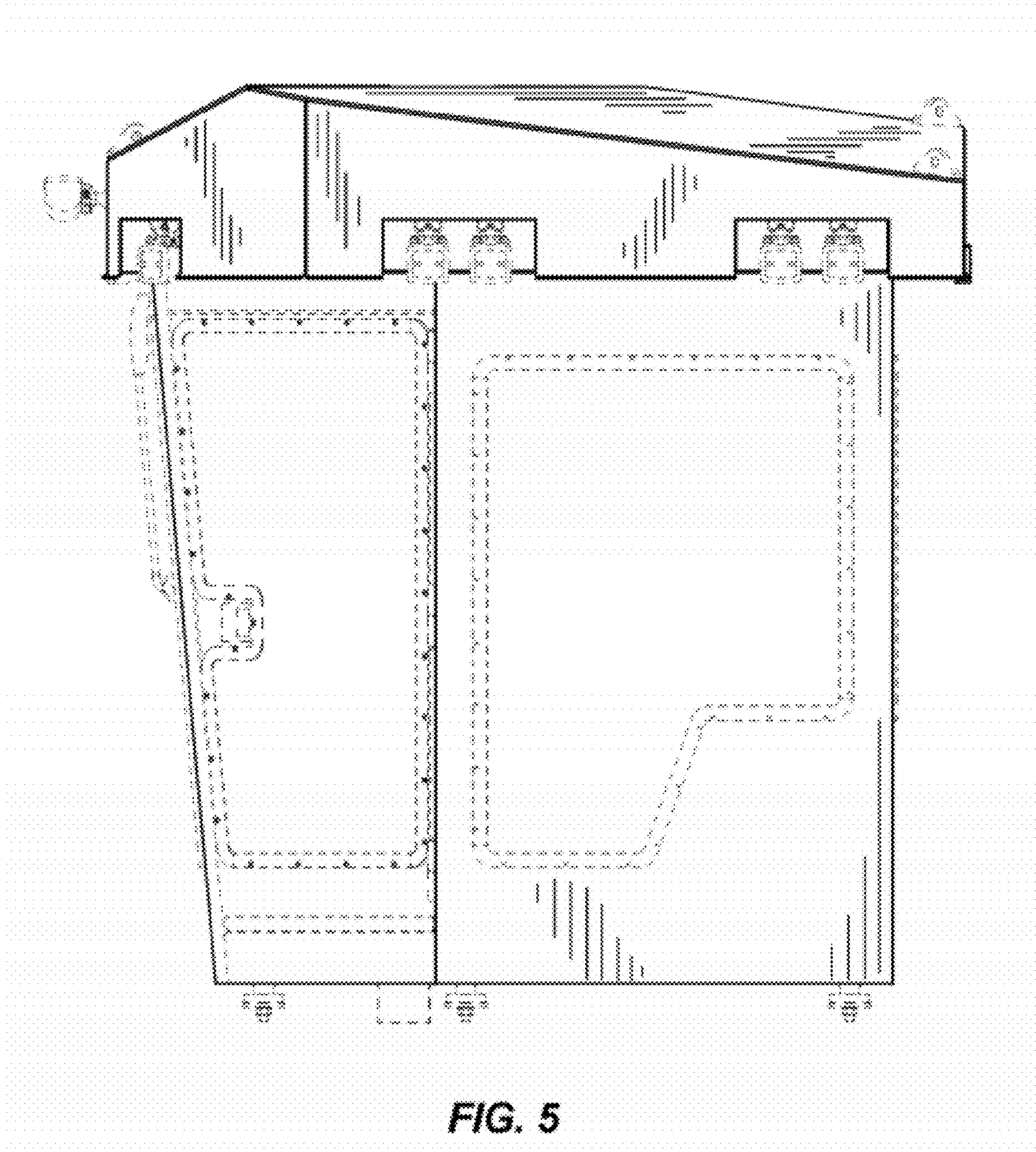


FIG. 5

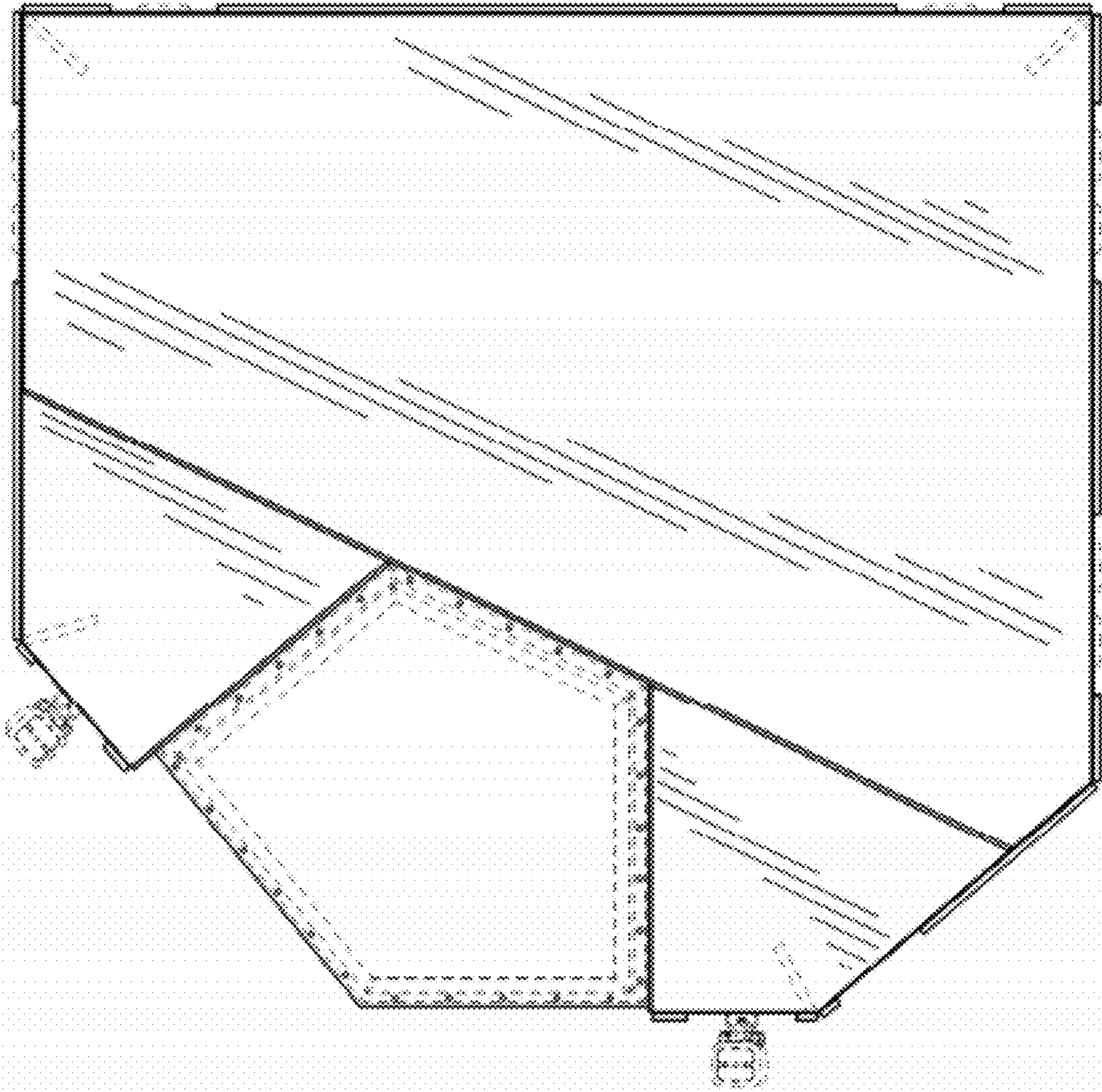


FIG. 6



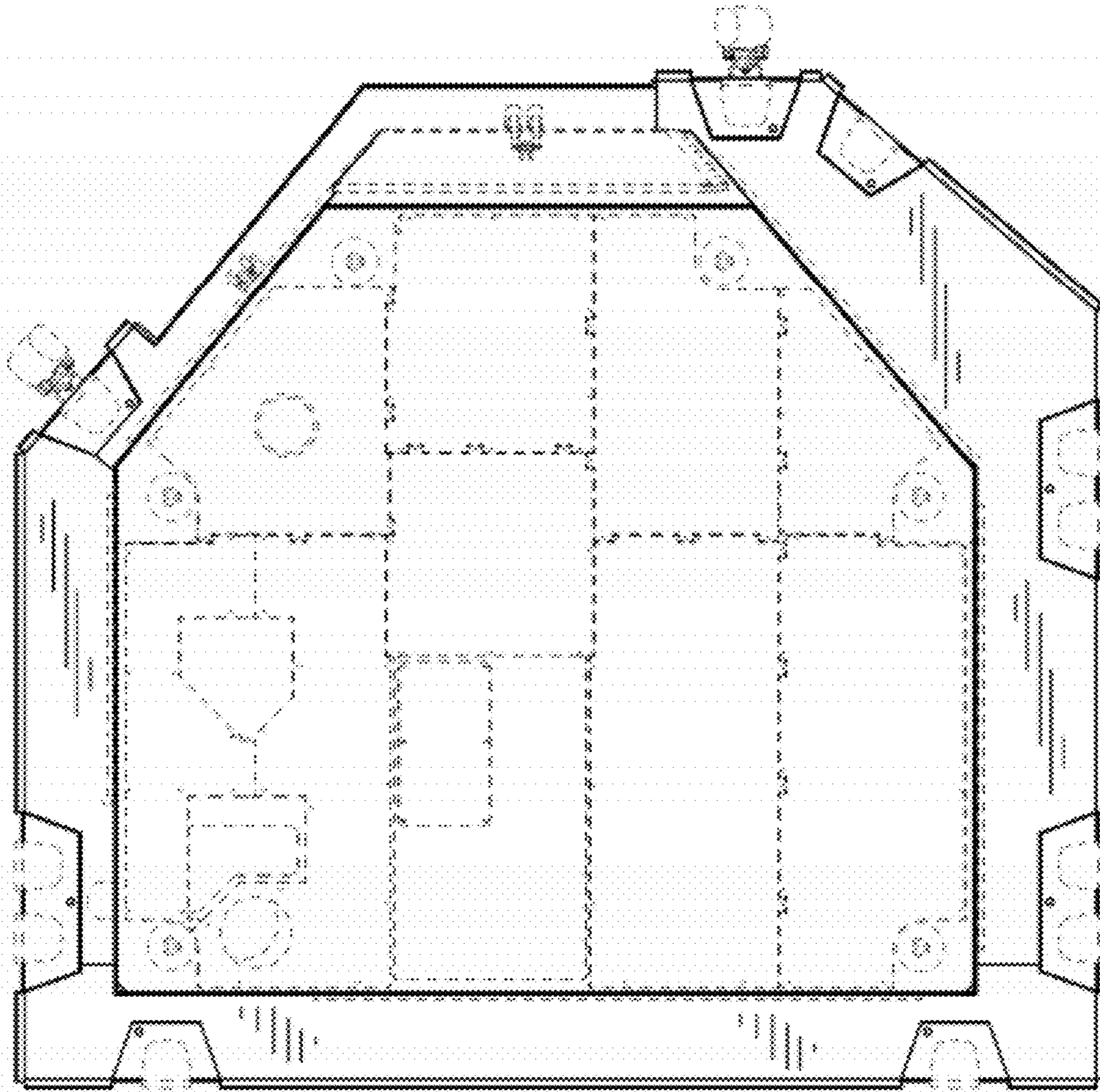


FIG. 7