



US00D670744S

(12) **United States Design Patent**
Ewringmann

(10) **Patent No.:** **US D670,744 S**
(45) **Date of Patent:** **** Nov. 13, 2012**

(54) **CONTROL PLATFORM FOR A ROAD CONSTRUCTION MACHINE**

3,997,277 A 12/1976 Swisher et al.
4,196,344 A 4/1980 Kuze
D275,199 S 8/1984 Schmidt et al.

(75) Inventor: **Ulrich Ewringmann**,
Taufkirchen-Potzharn (DE)

(Continued)

(73) Assignee: **Joseph Vögele AG**, Ludwigshafen/Rhein
(DE)

OTHER PUBLICATIONS

U.S. Appl. No. 29/412,280, filed Feb. 1, 2012.

(**) Term: **14 Years**

(Continued)

(21) Appl. No.: **29/412,292**

Primary Examiner — Mark Goodwin

(22) Filed: **Feb. 1, 2012**

(74) *Attorney, Agent, or Firm* — Fish & Richardson P.C.

(30) **Foreign Application Priority Data**

Aug. 1, 2011 (DE) 001289920

(51) **LOC (9) Cl.** **15-03**

(52) **U.S. Cl.** **D15/30**

(58) **Field of Classification Search** D15/10,
D15/22–26, 28, 30, 31; 180/89.11, 89.12,
180/89.13, 89.19, 900; 296/190.01, 190.08,
296/210, 190, 202

See application file for complete search history.

(56) **References Cited**

U.S. PATENT DOCUMENTS

D135,005 S	2/1943	Baumgardner
2,591,502 A	4/1952	Bohannan et al.
2,779,258 A	1/1957	Johnson
D184,043 S	12/1958	Dodge
3,000,277 A	9/1961	Crane et al.
D210,658 S	4/1968	Lazzeroni
3,405,613 A	10/1968	Gustafson
3,453,939 A	7/1969	Pollitz et al.
3,561,816 A	2/1971	Koch
3,699,855 A	10/1972	Leister
3,712,664 A	1/1973	May
D230,297 S	2/1974	Purcell et al.
D239,966 S	5/1976	Swisher et al.

(57) **CLAIM**

The ornamental design for a control platform for a road construction machine, as shown and described.

DESCRIPTION

FIG. 1 is a left side view of the design for a control platform for a road construction machine of the present invention.

FIG. 2 is a front side view of the design for a control platform for the road construction machine of FIG. 1.

FIG. 3 is a right side view of the design for a control platform for the road construction machine of FIG. 1.

FIG. 4 is a rear side view of the design for a control platform for the road construction machine of FIG. 1.

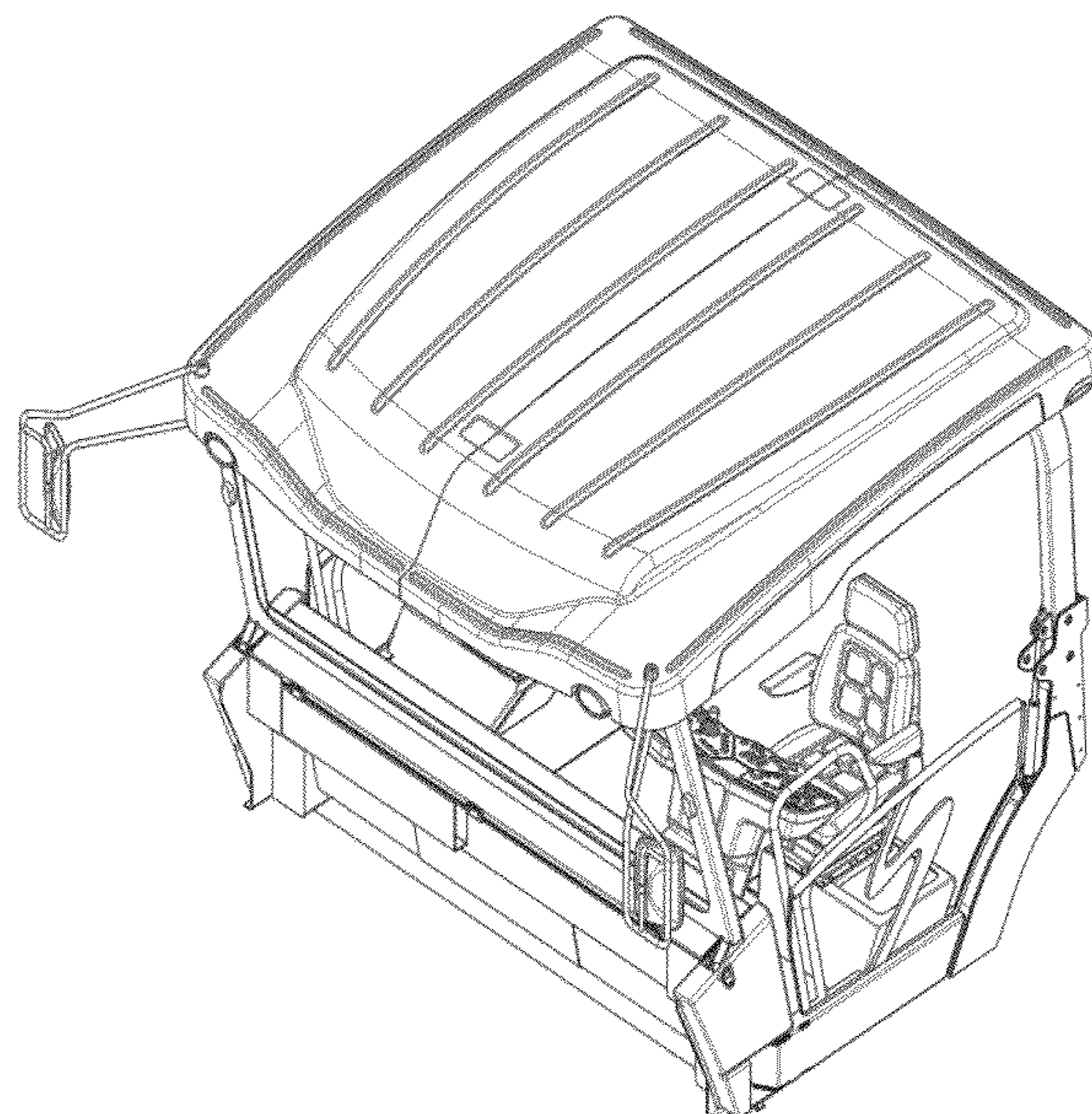
FIG. 5 is a top side view of the design for a control platform for the road construction machine of FIG. 1.

FIG. 6 is a bottom side view of the design for a control platform for a road construction machine.

FIG. 7 is a perspective view of the front side, left side and top side of the design for the control platform for a road construction machine of FIG. 1; and,

FIG. 8 is a further perspective view of the rear side, right side and top side of the design for the control platform for a road construction machine of FIG. 1.

1 Claim, 8 Drawing Sheets



US D670,744 S

U.S. PATENT DOCUMENTS

D281,881	S	12/1985	Swartzendruber et al.	
D284,668	S	7/1986	Salley et al.	
D284,669	S	7/1986	Clark et al.	
D284,767	S	7/1986	Clark et al.	
D285,081	S	8/1986	Wood	
4,674,928	A	6/1987	Lyman	
4,721,031	A	1/1988	Nakata et al.	
D306,450	S	3/1990	Funabashi et al.	
5,009,546	A	4/1991	Domenighetti et al.	
D317,011	S	5/1991	Boddin et al.	
D329,435	S	9/1992	Katoh et al.	
5,201,603	A	4/1993	Bassett et al.	
5,201,604	A	4/1993	Ferguson et al.	
5,250,930	A	10/1993	Yoshida et al.	
5,269,626	A	12/1993	Soliman et al.	
D348,553	S	7/1994	Martin	
D348,678	S *	7/1994	Budde	D15/30
5,356,238	A	10/1994	Musil et al.	
D362,449	S	9/1995	Swisher	
5,511,900	A	4/1996	Macku	
D370,917	S	6/1996	Swisher	
5,615,973	A	4/1997	Campbell	
5,695,238	A	12/1997	Calamari et al.	
D389,984	S *	1/1998	Johansson	D34/37
D398,289	S	9/1998	Burke	
6,071,040	A	6/2000	Macku et al.	
6,086,287	A	7/2000	Sharpe et al.	
6,099,205	A	8/2000	Macku et al.	
6,189,955	B1	2/2001	Fryk et al.	
6,193,437	B1	2/2001	Heims	
6,309,138	B1	10/2001	Yasu et al.	
6,375,386	B1	4/2002	Macku et al.	
6,688,682	B2	2/2004	Arthur et al.	
D503,928	S	4/2005	Obata	

D507,281	S	7/2005	Komatsu et al.	
D507,800	S	7/2005	Kuwae et al.	
D523,029	S *	6/2006	Crawford et al.	D15/30
D525,212	S	7/2006	Kim	
D531,647	S *	11/2006	Stender et al.	D15/30
D541,825	S *	5/2007	Pettersson	D15/30
D541,826	S *	5/2007	Brush et al.	D15/30
D561,205	S *	2/2008	Pettersson	D15/30
D603,881	S *	11/2009	Tamplain et al.	D15/30
D605,207	S *	12/2009	Menges et al.	D15/30
D629,429	S *	12/2010	Wakamatsu	D15/30
D635,156	S *	3/2011	Berning et al.	D15/30
D636,795	S *	4/2011	Yamamoto et al.	D15/30
D637,630	S *	5/2011	Yamamoto et al.	D15/30
D642,205	S *	7/2011	Yamamoto et al.	D15/30
D650,816	S *	12/2011	Koponen et al.	D15/30
2003/0143024	A1	7/2003	Sharpe et al.	
2005/0105232	A1	5/2005	Taylor	
2005/0133292	A1	6/2005	Ginzel et al.	
2006/0045624	A1	3/2006	Nelson	
2006/0243506	A1	11/2006	Dolesh et al.	

OTHER PUBLICATIONS

U.S. Appl. No. 29/412,296, filed Feb. 1, 2012.
 U.S. Appl. No. 29/412,268, filed Feb. 1, 2012.
 U.S. Appl. No. 29/412,335, filed Feb. 1, 2012.
 U.S. Appl. No. 29/412,330, filed Feb. 1, 2012.
 U.S. Appl. No. 29/412,298, filed Feb. 1, 2012.
 U.S. Appl. No. 29/412,340, filed Feb. 1, 2012.
 U.S. Appl. No. 29/412,328, filed Feb. 1, 2012.
 U.S. Appl. No. 29/412,337, filed Feb. 1, 2012.
 U.S. Appl. No. 29/412,329, filed Feb. 1, 2012.

* cited by examiner

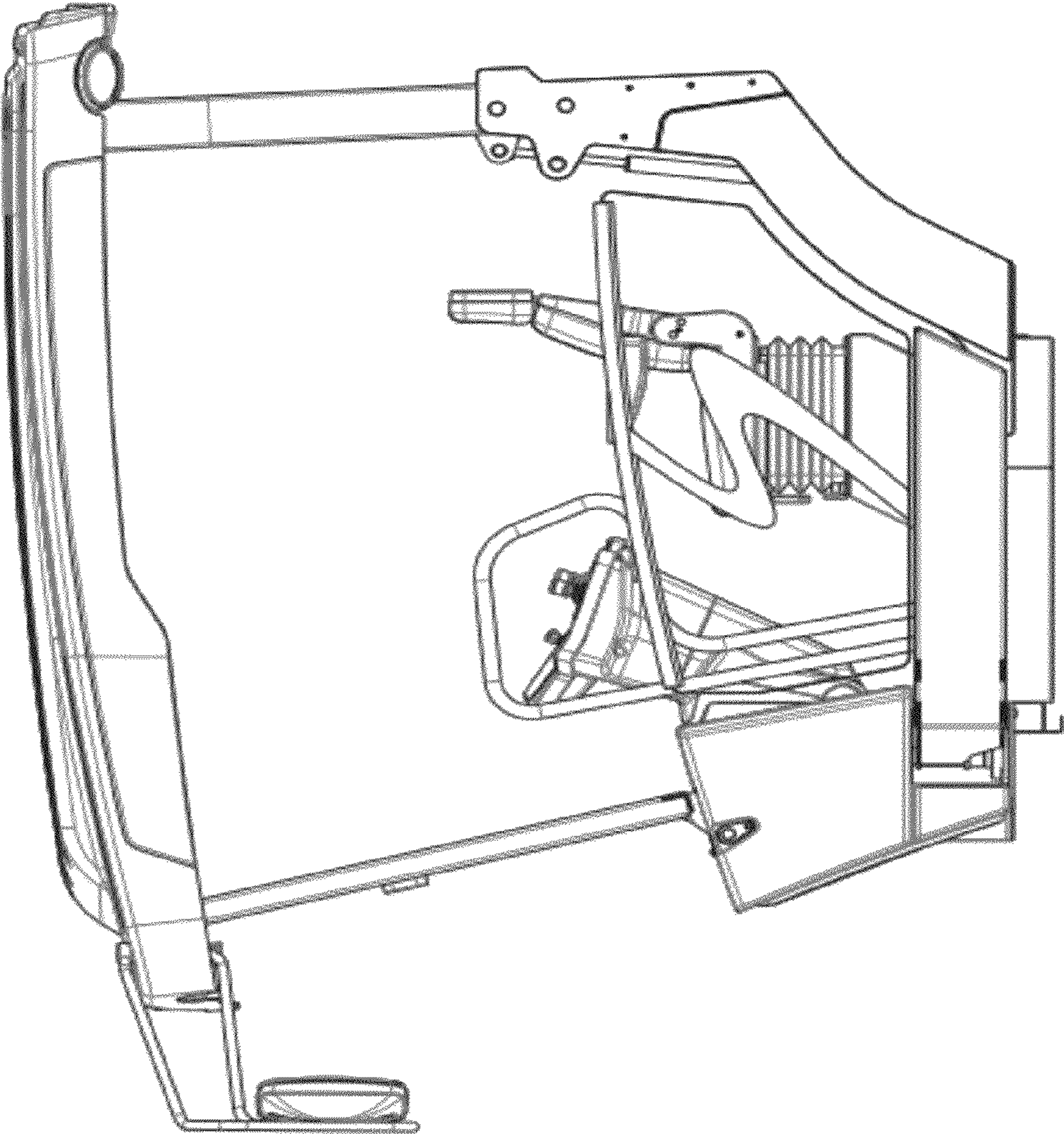


FIG. 1

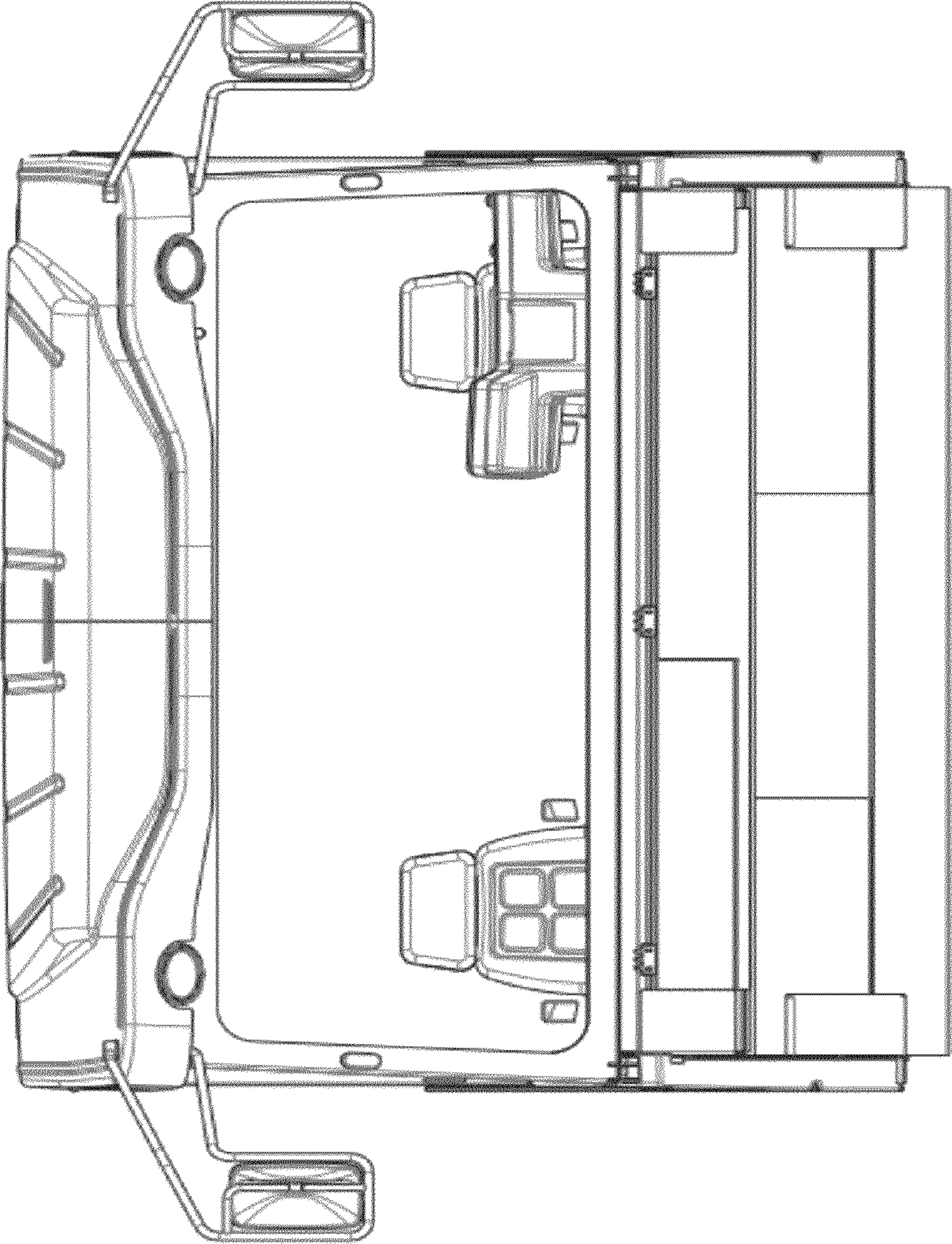


FIG. 2

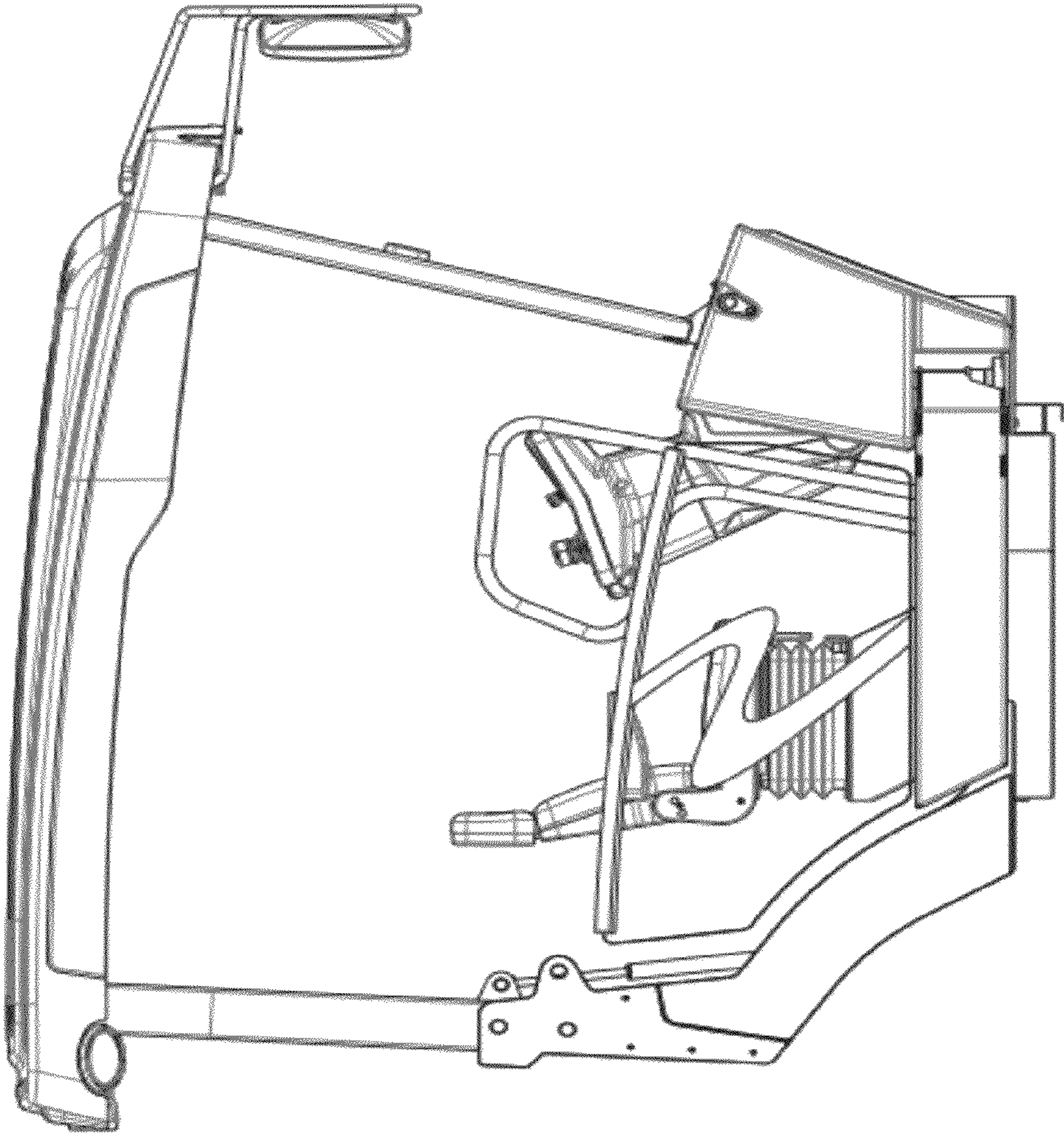


FIG. 3

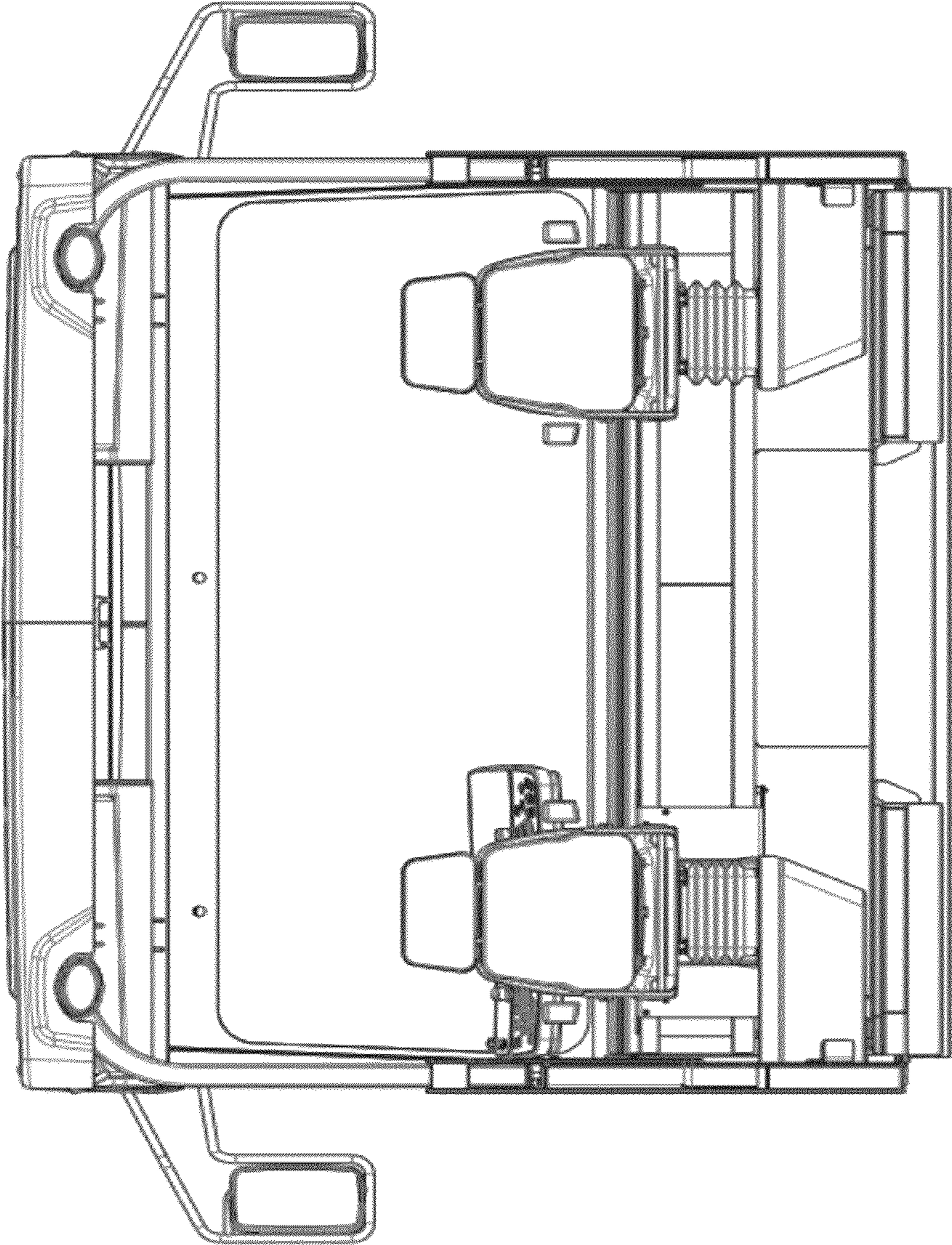


FIG. 4

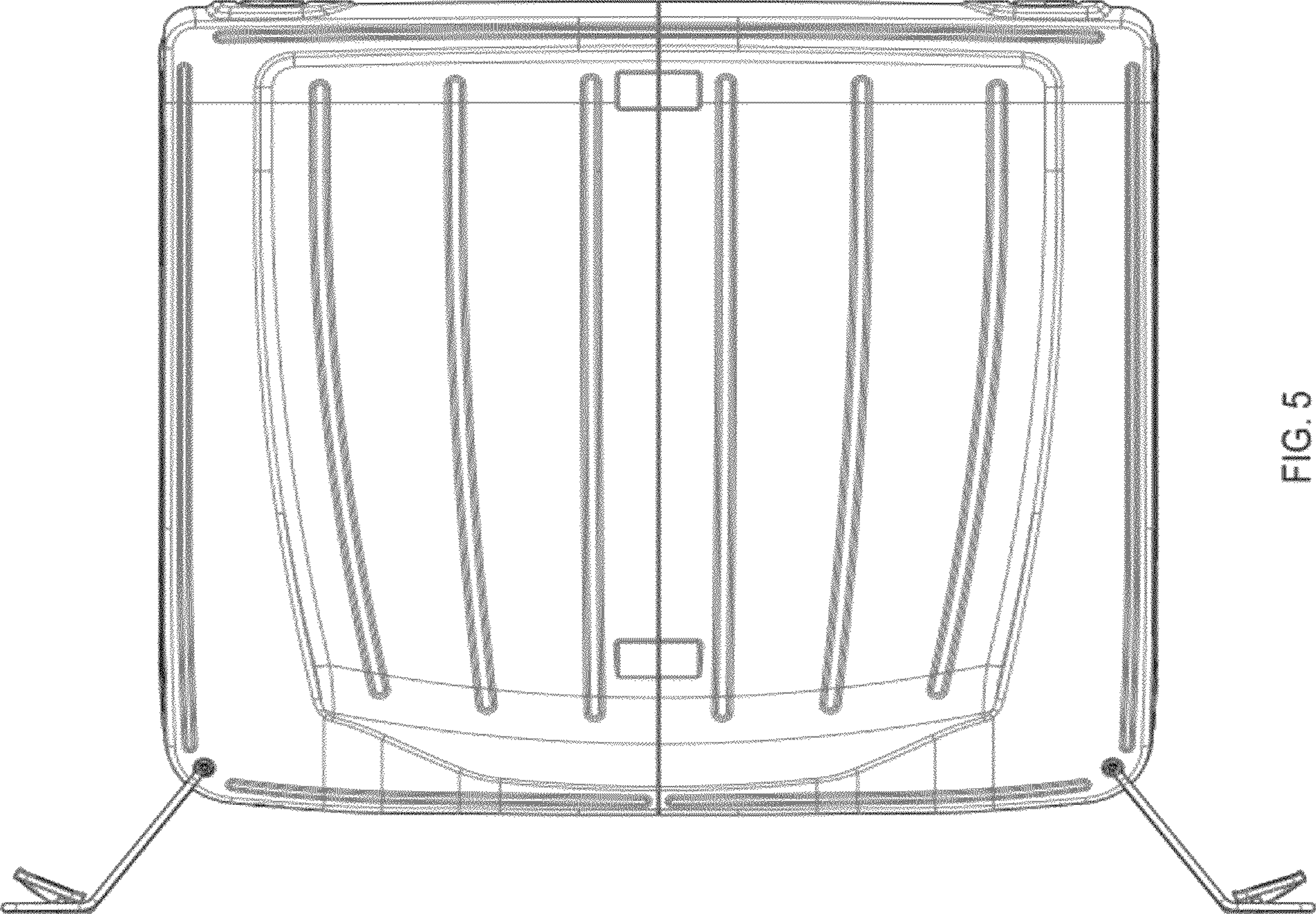


FIG. 5

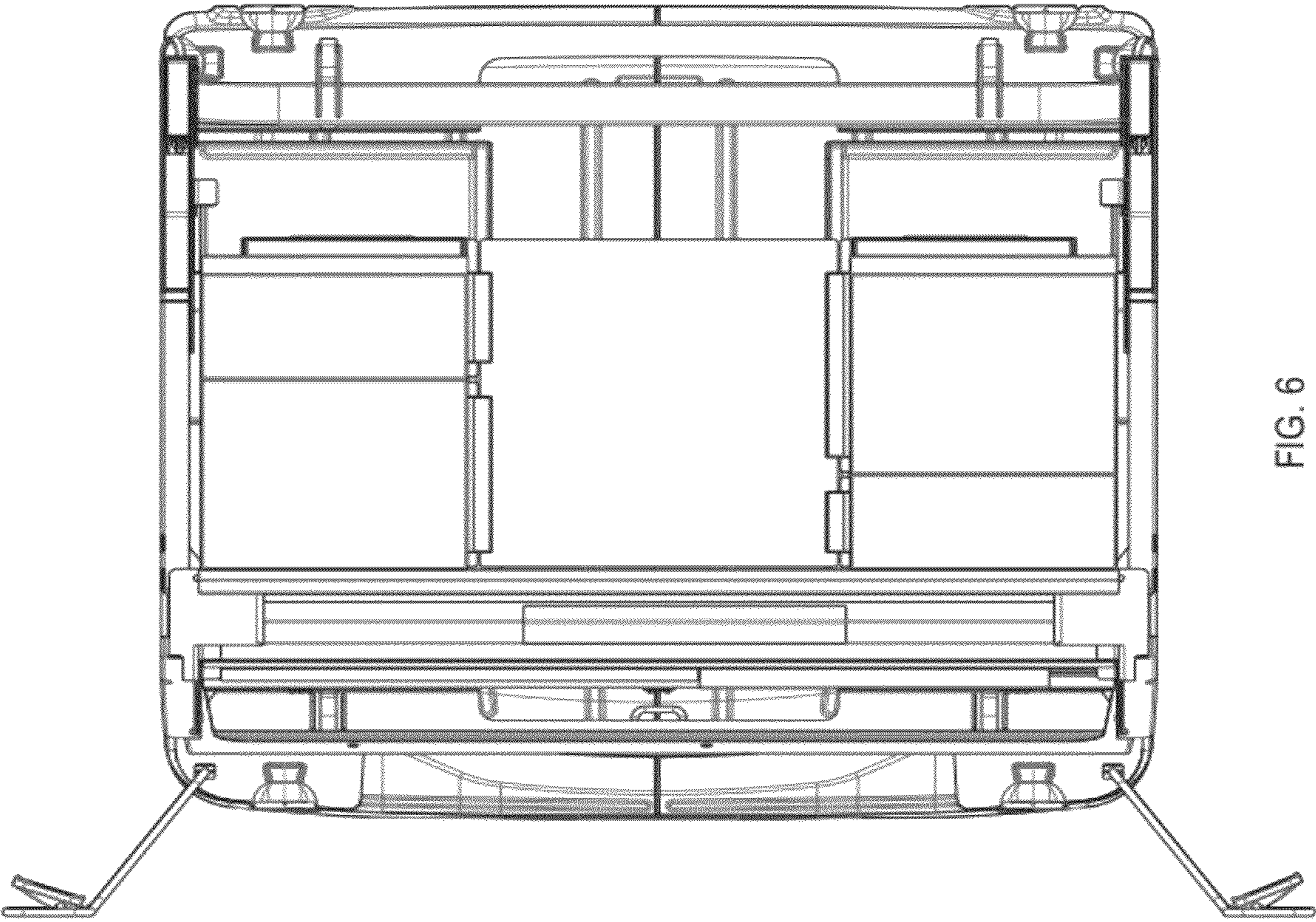


FIG. 6

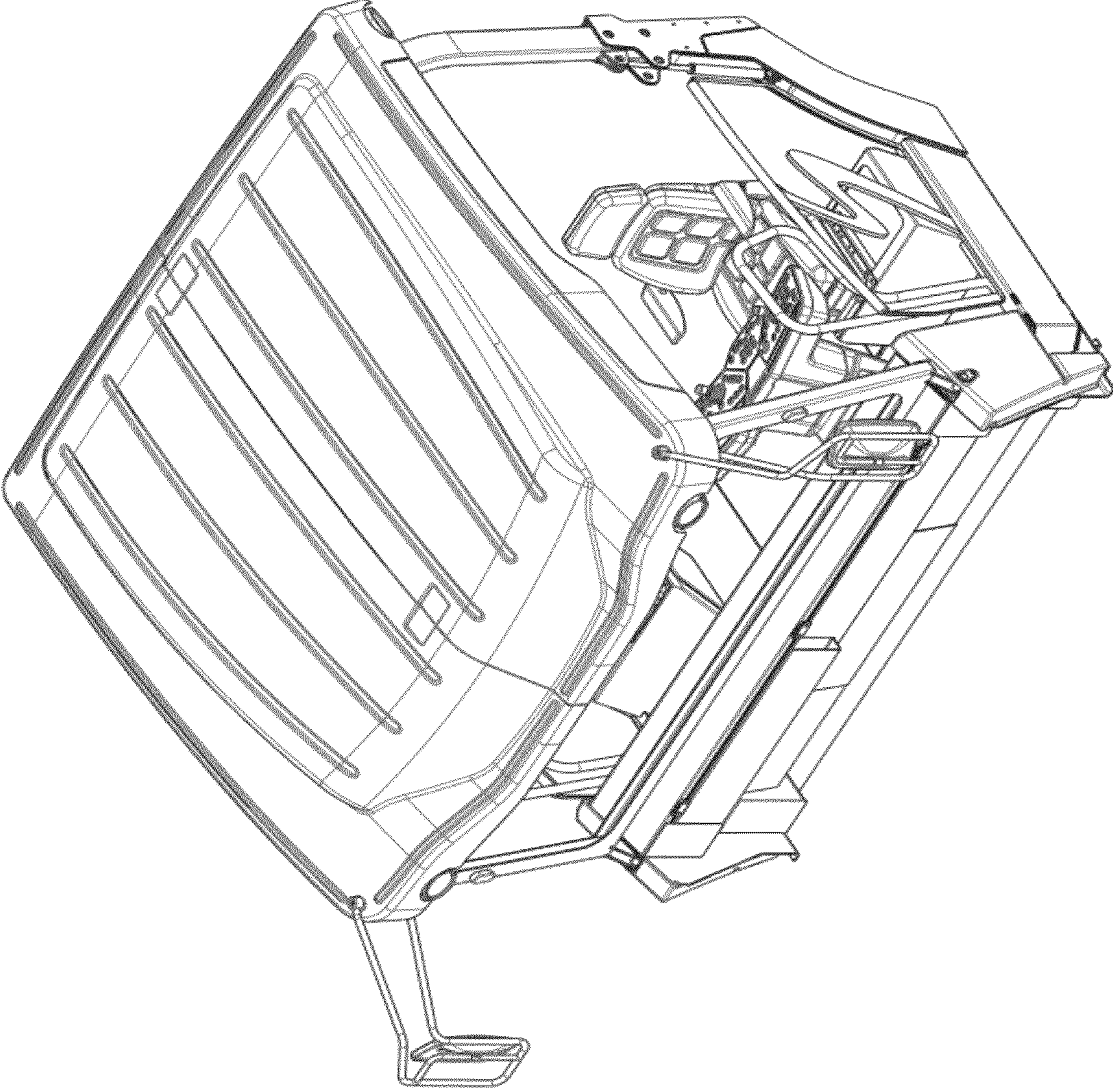


FIG. 7

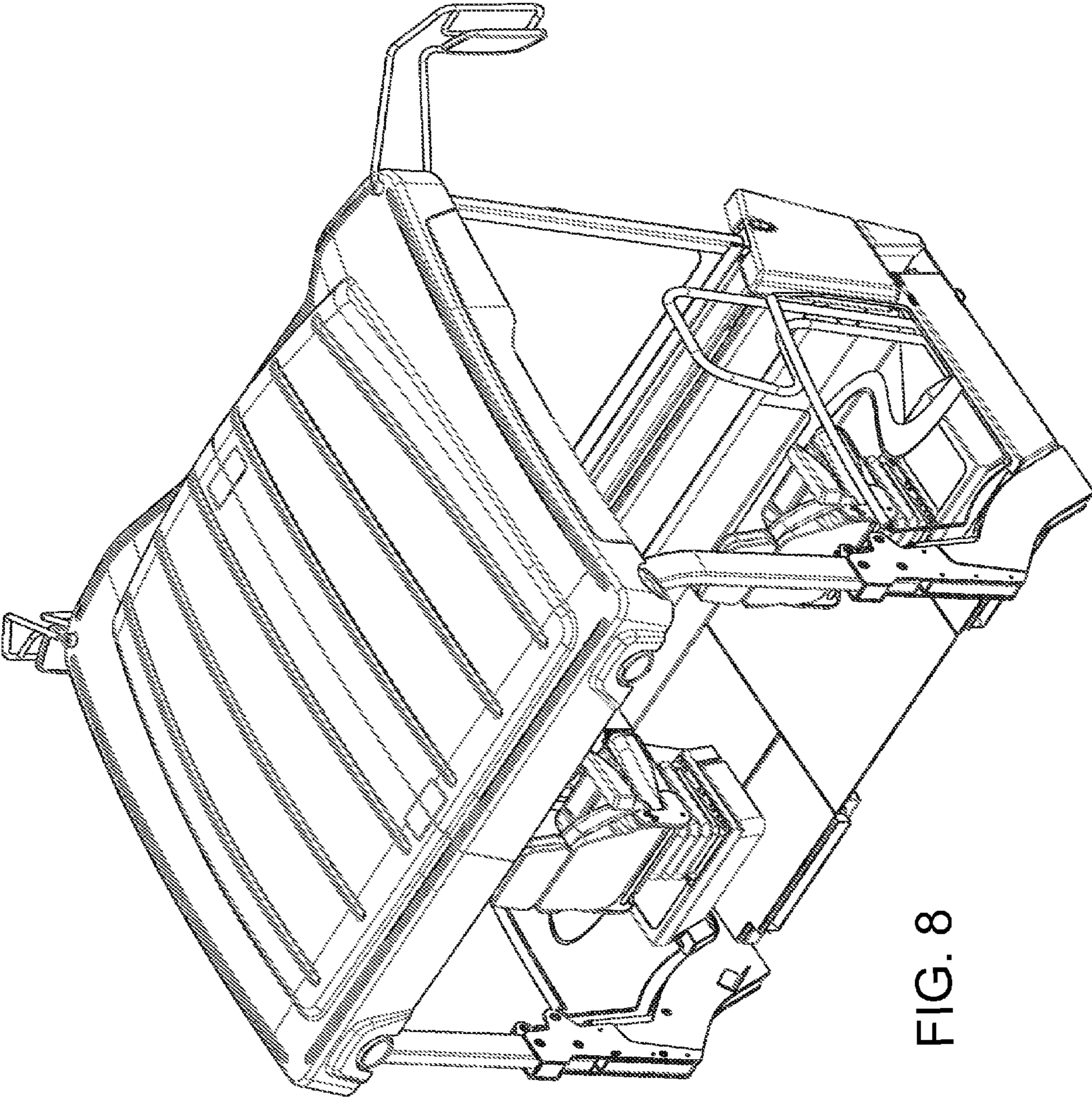


FIG. 8