



US00D670743S

(12) **United States Design Patent**
Ewringmann

(10) **Patent No.:** **US D670,743 S**
(45) **Date of Patent:** **** Nov. 13, 2012**

(54) **EXHAUST PIPE FOR A ROAD CONSTRUCTION MACHINE**

(75) Inventor: **Ulrich Ewringmann**,
Taufkirchen-Potzharn (DE)

(73) Assignee: **Joseph Vögele AG**, Ludwigshafen/Rhein
(DE)

(**) Term: **14 Years**

(21) Appl. No.: **29/412,328**

(22) Filed: **Feb. 1, 2012**

(30) **Foreign Application Priority Data**

Aug. 1, 2011 (DE) 001289920

(51) **LOC (9) Cl.** **15-03**

(52) **U.S. Cl.** **D15/28; D15/5; D12/194**

(58) **Field of Classification Search** D15/10,
D15/11, 13-17, 22-26, 28, 30, 31, 5; D12/173,
D12/194; 56/13.3, 13.4, 15.8, 15.9, 320.1;
180/89.1, 89.12, 900, 69.2, 68.1, 69.1; 72/369;
138/122, 129

See application file for complete search history.

(56) **References Cited**

U.S. PATENT DOCUMENTS

D135,005 S	2/1943	Baumgardner	
2,591,502 A	4/1952	Bohannan et al.	
2,732,913 A *	1/1956	Higgins	96/386
2,779,258 A	1/1957	Johnson	
D184,043 S	12/1958	Dodge	
2,887,033 A *	5/1959	Wachter, Jr.	454/2
3,000,277 A	9/1961	Crane et al.	
D199,181 S *	9/1964	Walker	D12/194
D210,658 S	4/1968	Lazzeroni	
3,405,613 A	10/1968	Gustafson	
3,453,939 A	7/1969	Pollitz et al.	
3,561,816 A	2/1971	Koch	
3,699,855 A	10/1972	Leister	
3,712,664 A	1/1973	May	
D230,297 S	2/1974	Purcell et al.	

3,792,722 A *	2/1974	Harmon	138/108
3,913,705 A *	10/1975	Sieving	180/309
D239,966 S	5/1976	Swisher et al.	
3,997,277 A	12/1976	Swisher et al.	
D248,463 S *	7/1978	Barnes	D12/194
4,196,344 A	4/1980	Kuze	
4,387,915 A *	6/1983	Adickes	285/330
D275,199 S	8/1984	Schmidt et al.	
D281,881 S	12/1985	Swartzendruber et al.	
D284,668 S	7/1986	Salley et al.	
D284,669 S	7/1986	Clark et al.	
D284,767 S	7/1986	Clark et al.	
D285,081 S	8/1986	Wood	
4,667,582 A *	5/1987	Davison et al.	454/5
4,674,928 A	6/1987	Lyman	
4,721,031 A	1/1988	Nakata et al.	
4,742,766 A *	5/1988	Davison et al.	454/5
D301,039 S *	5/1989	Funabashi et al.	D15/23

(Continued)

OTHER PUBLICATIONS

U.S. Appl. No. 29/412,280, filed Feb. 1, 2012.

(Continued)

Primary Examiner — Mark Goodwin

(74) *Attorney, Agent, or Firm* — Fish & Richardson P.C.

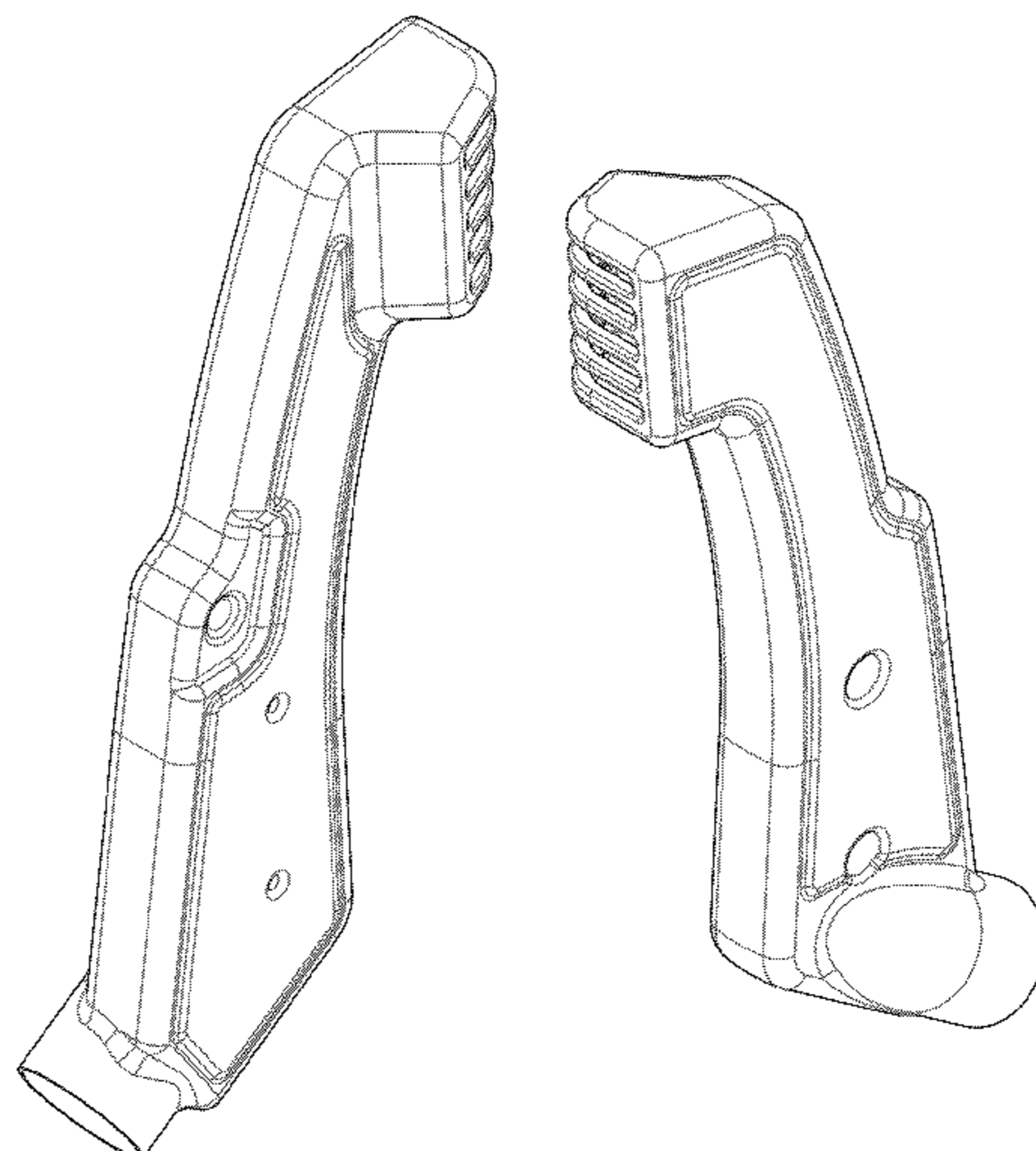
(57) **CLAIM**

The ornamental design for an exhaust pipe for a road construction machine, as shown and described.

DESCRIPTION

FIG. 1 is a left side view of an exhaust pipe for a road construction machine showing my new design;
FIG. 2 is a front view thereof;
FIG. 3 is a right side view thereof;
FIG. 4 is a rear view thereof;
FIG. 5 is a top plan view thereof;
FIG. 6 is a bottom plan view thereof;
FIG. 7 is a top, front, left side perspective view thereof; and,
FIG. 8 is a top, rear, right side perspective view thereof.

1 Claim, 8 Drawing Sheets



U.S. PATENT DOCUMENTS

D306,450	S	3/1990	Funabashi et al.	
5,009,546	A	4/1991	Domenighetti et al.	
D317,011	S	5/1991	Boddin et al.	
5,044,653	A *	9/1991	Savanella	280/421
D329,435	S	9/1992	Katoh et al.	
5,152,364	A *	10/1992	Woods et al.	180/292
5,170,020	A *	12/1992	Kruger et al.	181/211
5,201,603	A	4/1993	Bassett et al.	
5,201,604	A	4/1993	Ferguson et al.	
5,250,930	A	10/1993	Yoshida et al.	
5,269,626	A	12/1993	Soliman et al.	
5,321,215	A *	6/1994	Kicinski	181/211
D348,553	S	7/1994	Martin	
5,356,238	A	10/1994	Musil et al.	
D357,665	S *	4/1995	Creyts	D12/194
D362,449	S	9/1995	Swisher	
5,460,236	A *	10/1995	Lewis et al.	180/267
D363,908	S *	11/1995	Maag	D12/194
5,511,900	A	4/1996	Macku	
D369,583	S *	5/1996	Shirley	D12/194
D370,917	S	6/1996	Swisher	
5,615,973	A	4/1997	Campbell	
5,695,238	A	12/1997	Calamari et al.	
D392,928	S *	3/1998	Erion et al.	D12/194
D398,289	S	9/1998	Burke	
D418,469	S *	1/2000	Whisenhunt	D12/194
6,071,040	A	6/2000	Macku et al.	
6,086,287	A	7/2000	Sharpe et al.	
6,099,205	A	8/2000	Macku et al.	
6,189,955	B1	2/2001	Fryk et al.	
6,193,437	B1	2/2001	Heims	
6,309,138	B1	10/2001	Yasu et al.	
6,375,386	B1	4/2002	Macku et al.	
D458,201	S *	6/2002	Warren	D12/194
6,584,768	B1 *	7/2003	Hecker et al.	60/297
6,637,537	B2 *	10/2003	Porter et al.	180/309
6,688,682	B2	2/2004	Arthur et al.	
6,832,872	B2 *	12/2004	Koelm et al.	404/108
D501,812	S *	2/2005	Ramelot	D12/194
D503,928	S	4/2005	Obata	
D507,281	S	7/2005	Komatsu et al.	
D507,800	S	7/2005	Kuwae et al.	
D525,212	S	7/2006	Kim	
D534,469	S *	1/2007	Murkett	D12/194
D534,848	S *	1/2007	Murkett	D12/194
D537,396	S *	2/2007	Drew et al.	D12/194
D539,715	S *	4/2007	Lai	D12/194
D539,716	S *	4/2007	Kulla	D12/194
D540,232	S *	4/2007	Lai	D12/194
7,207,172	B2 *	4/2007	Willix et al.	60/317

D549,629	S *	8/2007	Davidson	D12/194
D553,062	S *	10/2007	Murkett et al.	D12/194
D579,842	S *	11/2008	Ren	D12/194
D583,287	S *	12/2008	Shimokawa	D12/194
D587,797	S *	3/2009	Blanchard	D23/370
D597,915	S *	8/2009	Bhambra	D12/194
D600,186	S *	9/2009	Bhambra	D12/194
D601,180	S *	9/2009	Takeda	D16/235
7,678,168	B2 *	3/2010	Connelly et al.	55/385.3
D622,647	S *	8/2010	Hilton et al.	D12/194
D624,375	S *	9/2010	Pifer	D8/29.1
D627,284	S *	11/2010	Faszer et al.	D12/194
D631,417	S *	1/2011	Lai	D12/194
D631,809	S *	2/2011	Lai	D12/194
7,937,936	B2 *	5/2011	Recker et al.	60/297
7,958,966	B2 *	6/2011	Smith	181/264
D642,506	S *	8/2011	Faszer et al.	D12/194
D654,416	S *	2/2012	Lemon	D12/194
2002/0117346	A1 *	8/2002	Porter et al.	180/309
2003/0143024	A1	7/2003	Sharpe et al.	
2004/0088968	A1 *	5/2004	Koelm et al.	60/282
2005/0105232	A1	5/2005	Taylor	
2005/0133292	A1	6/2005	Ginzel et al.	
2006/0045624	A1	3/2006	Nelson	
2006/0243506	A1	11/2006	Dolesh et al.	
2007/0056786	A1 *	3/2007	Fukazawa et al.	180/89.12
2008/0168764	A1 *	7/2008	Recker et al.	60/297
2008/0236693	A1 *	10/2008	Muzzy et al.	138/108
2009/0120066	A1 *	5/2009	VanderGriend et al.	60/285
2011/0000199	A1 *	1/2011	Ezawa et al.	60/311
2011/0023472	A1 *	2/2011	Saito et al.	60/311
2011/0120085	A1 *	5/2011	Saito et al.	60/272
2011/0192153	A1 *	8/2011	Schmidt	60/317
2011/0214419	A1 *	9/2011	Castner et al.	60/317
2011/0283687	A1 *	11/2011	Dobler et al.	60/299
2012/0042637	A1 *	2/2012	Roozenboom et al.	60/297
2012/0079810	A1 *	4/2012	Abe et al.	60/272

OTHER PUBLICATIONS

- U.S. Appl. No. 29/412,296, filed Feb. 1, 2012.
- U.S. Appl. No. 29/412,268, filed Feb. 1, 2012.
- U.S. Appl. No. 29/412,292, filed Feb. 1, 2012.
- U.S. Appl. No. 29/412,330, filed Feb. 1, 2012.
- U.S. Appl. No. 29/412,298, filed Feb. 1, 2012.
- U.S. Appl. No. 29/412,340, filed Feb. 1, 2012.
- U.S. Appl. No. 29/412,335, filed Feb. 1, 2012.
- U.S. Appl. No. 29/412,337, filed Feb. 1, 2012.
- U.S. Appl. No. 29/412,329, filed Feb. 1, 2012.

* cited by examiner

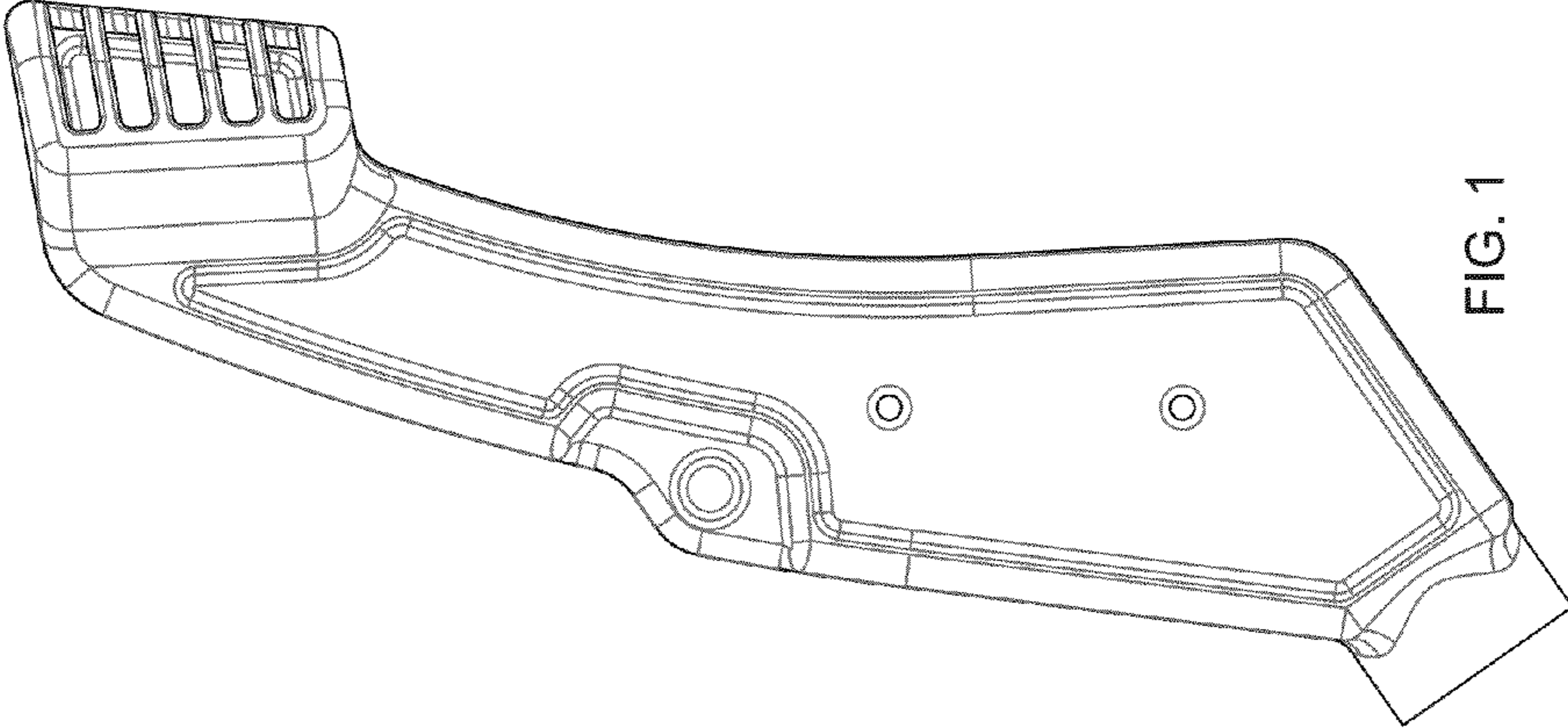


FIG. 1

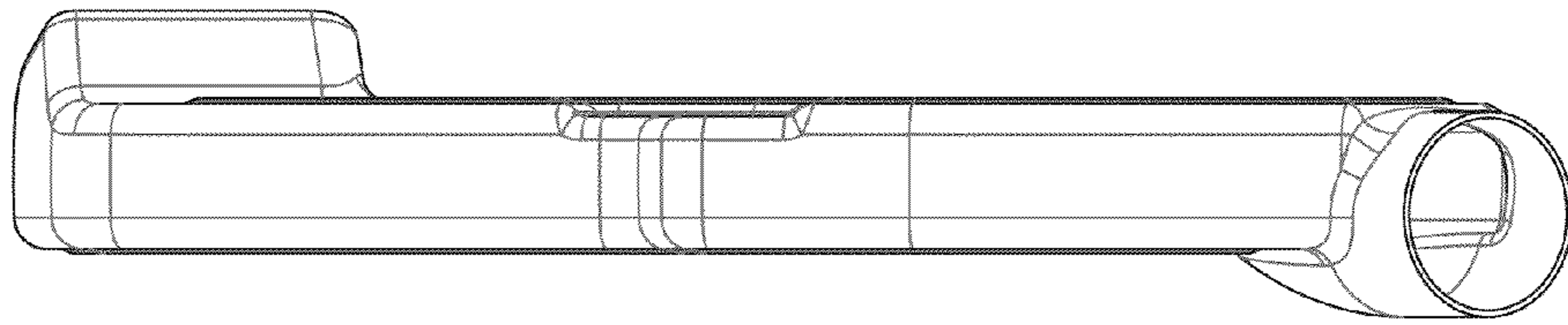


FIG. 2

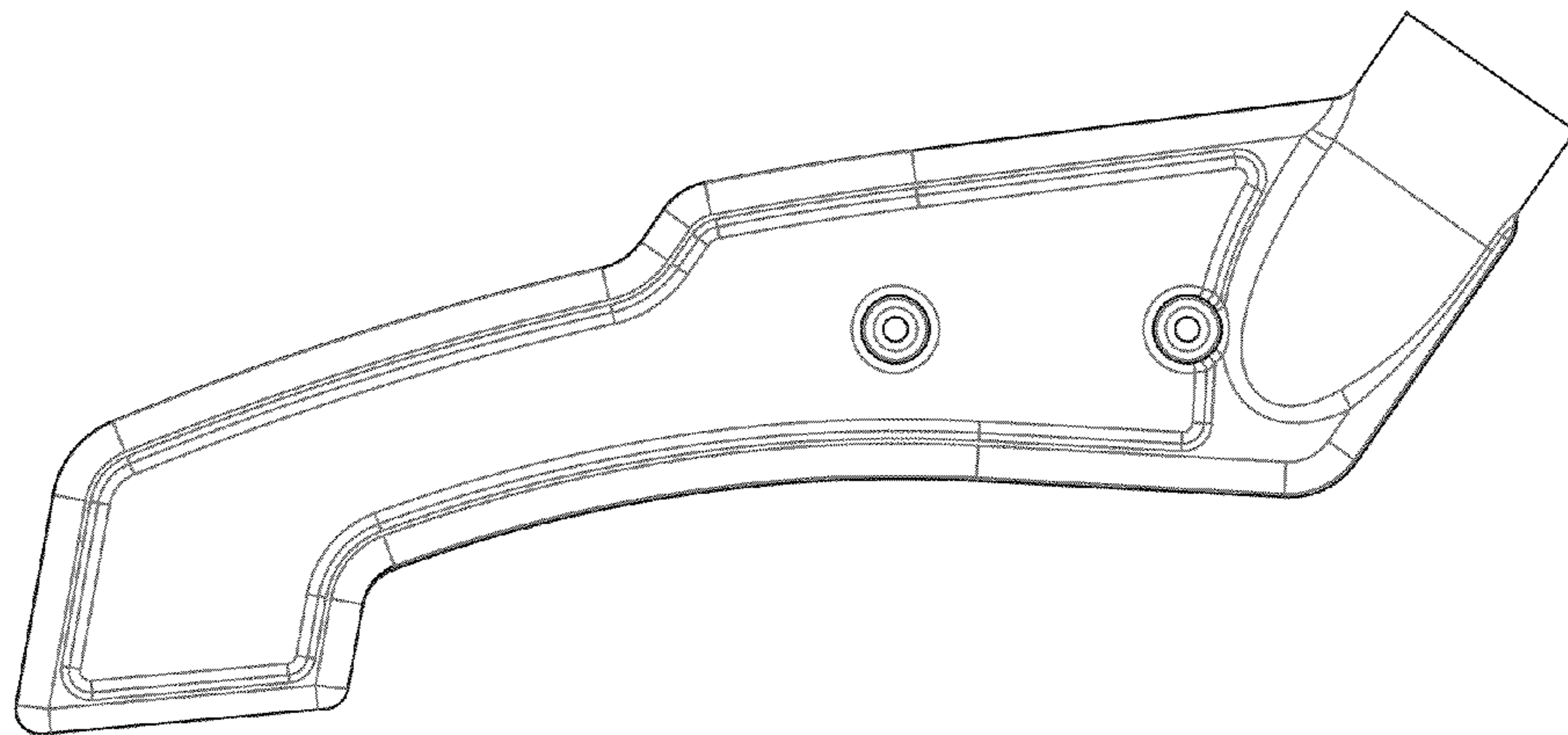


FIG. 3

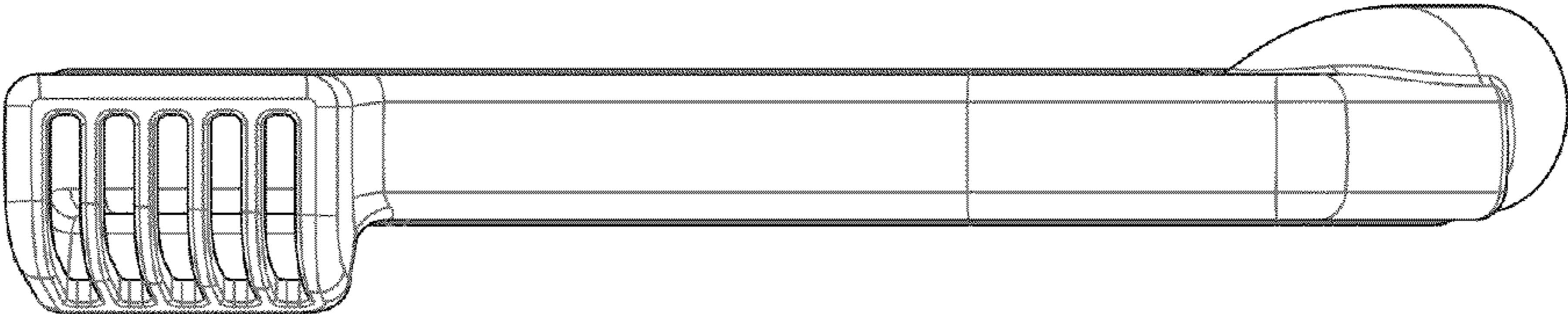


FIG. 4

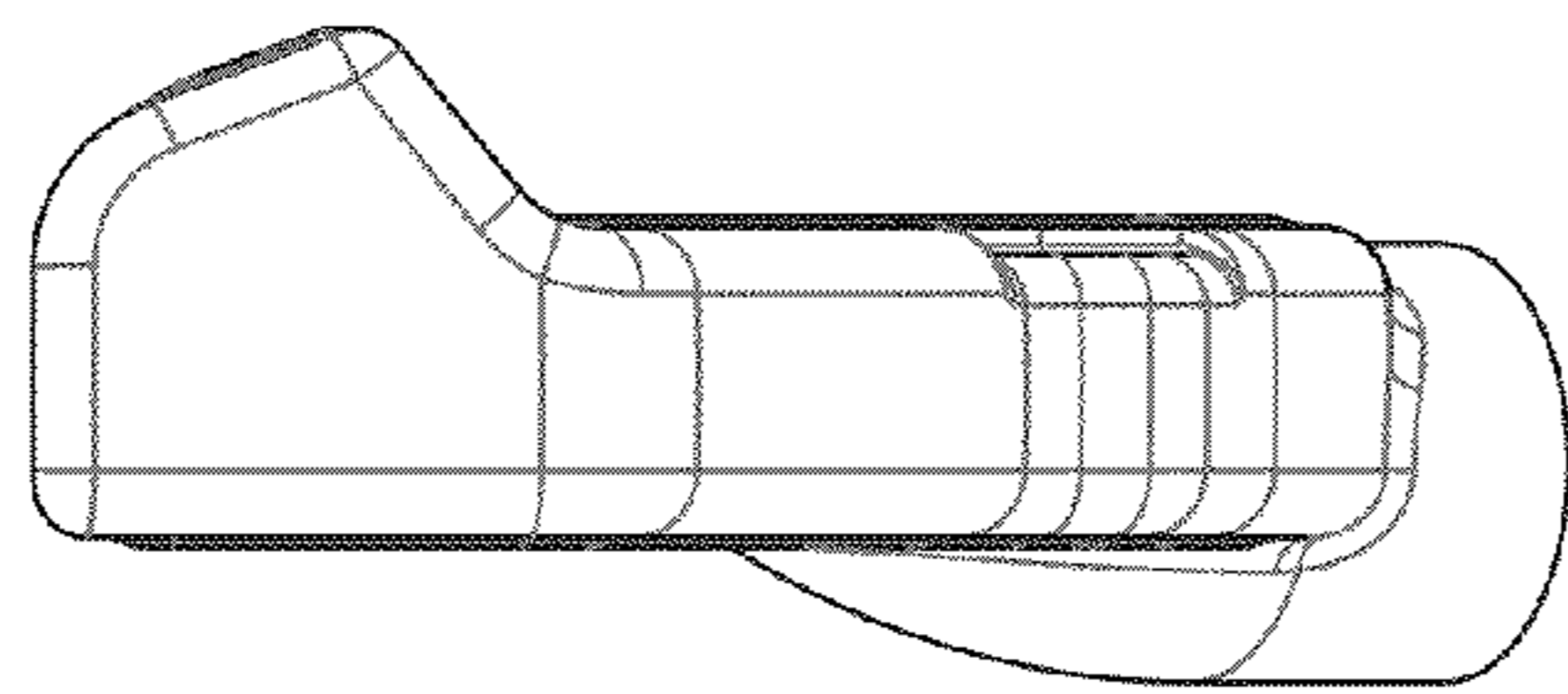


FIG. 5

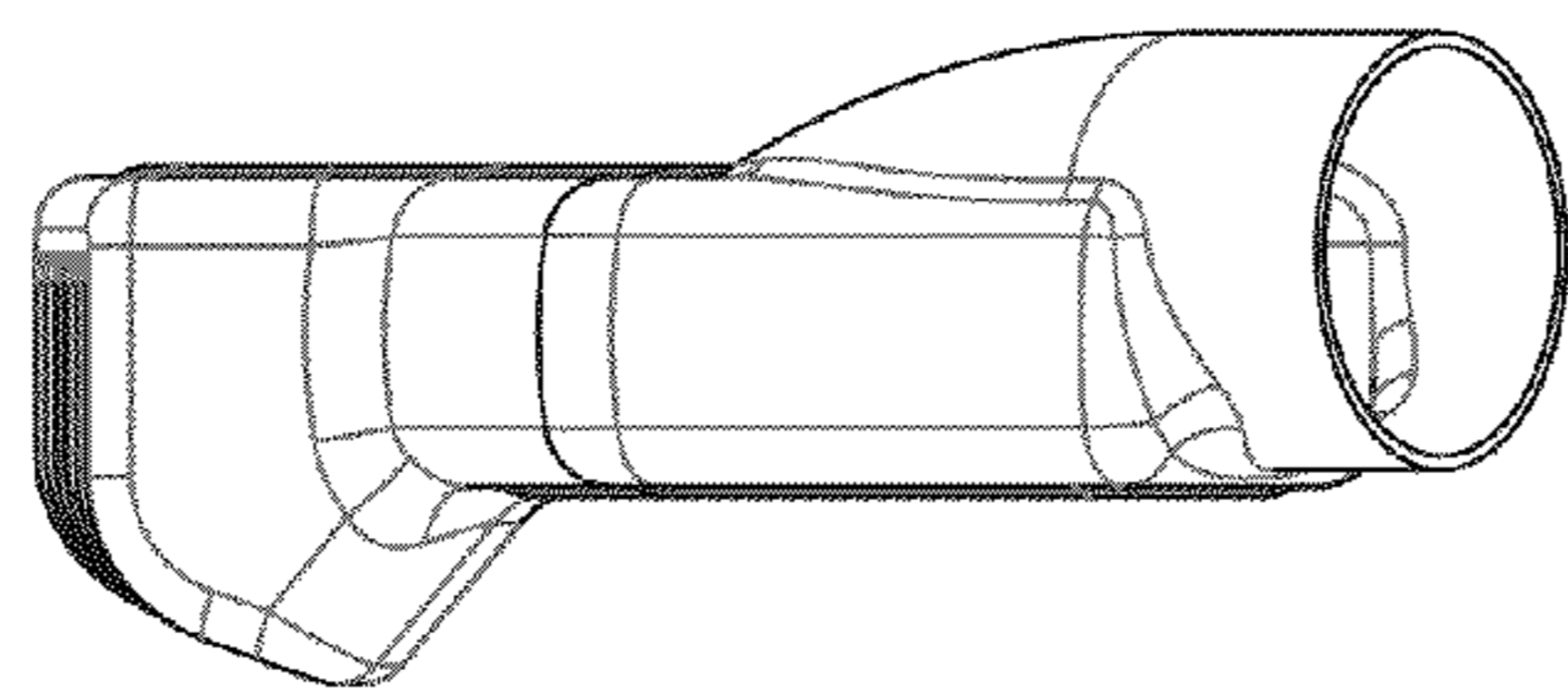


FIG. 6

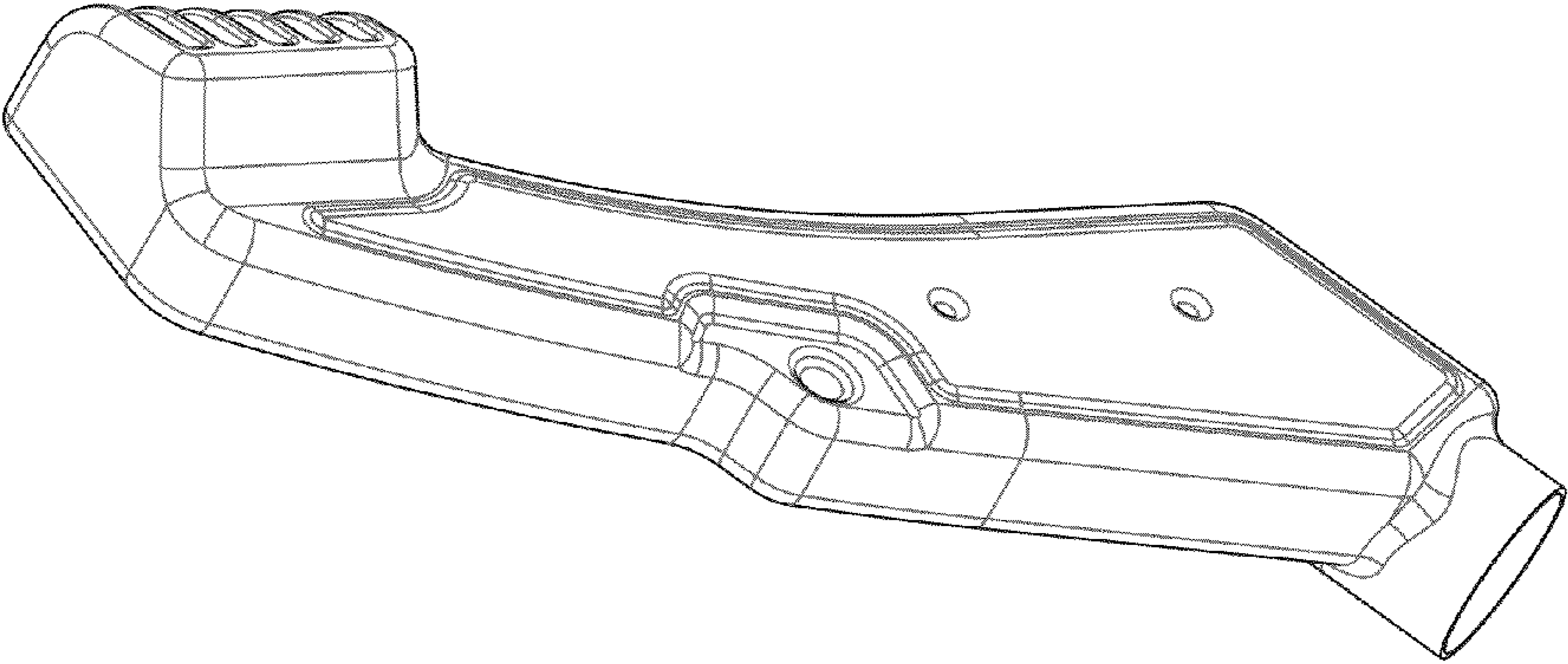


FIG. 7

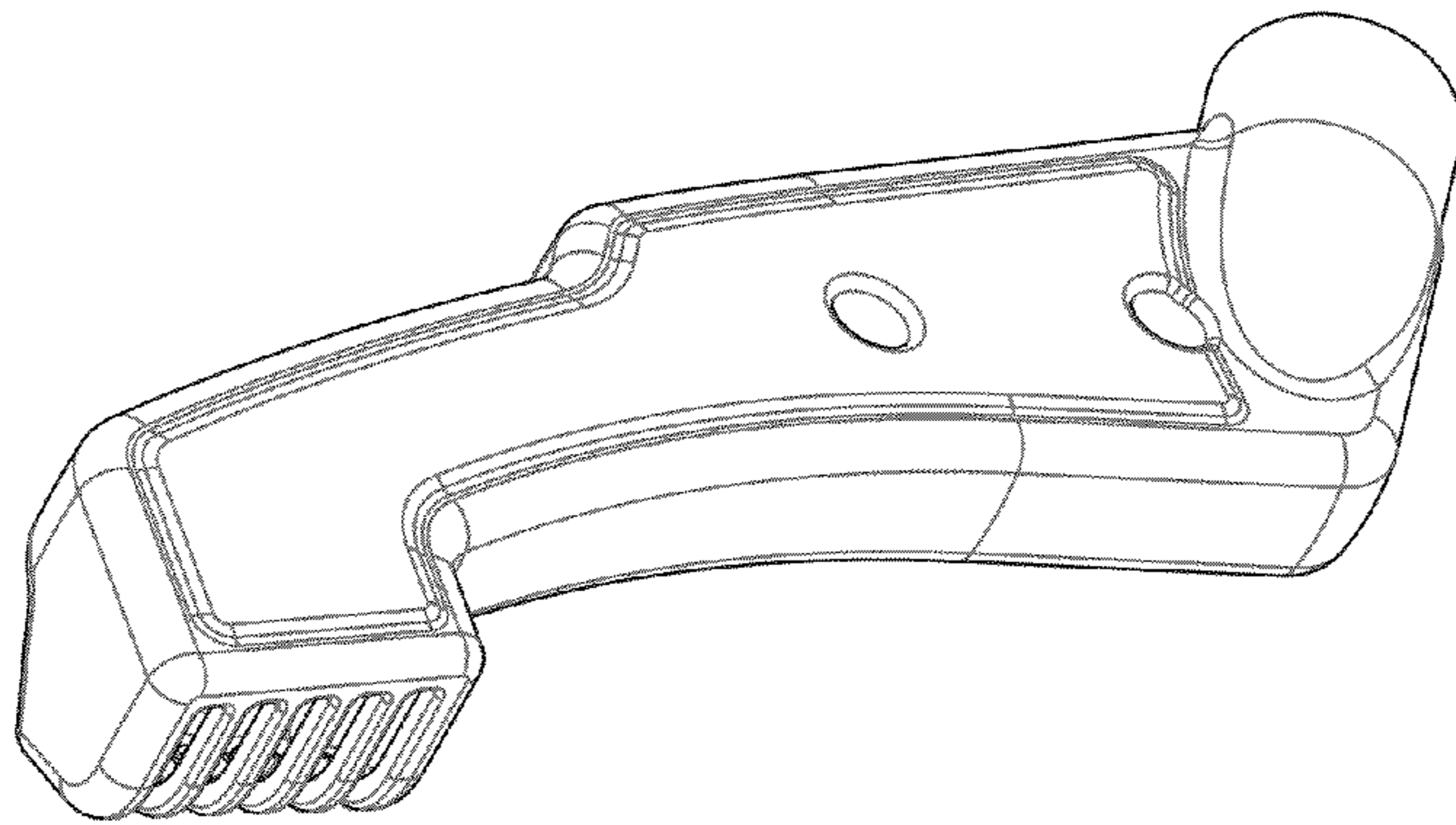


FIG. 8