

US00D670742S

(12) **United States Design Patent**  
**Holmen**

(10) **Patent No.:** **US D670,742 S**

(45) **Date of Patent:** **\*\* \*Nov. 13, 2012**

(54) **GRAIN CART**

(75) **Inventor:** **Erik Allen Holmen**, Sarasota, FL (US)

(73) **Assignee:** **Kinze Manufacturing, Inc.**,  
Williamsburg, IA (US)

(\*) **Notice:** This patent is subject to a terminal disclaimer.

(\*\*) **Term:** **14 Years**

(21) **Appl. No.:** **29/398,203**

(22) **Filed:** **Jul. 27, 2011**

(51) **LOC (9) Cl.** ..... **15-03**

(52) **U.S. Cl.** ..... **D15/28; D15/17**

(58) **Field of Classification Search** ..... D15/10,  
D15/13, 21, 27, 28, 33; 298/24, 26-27, 8 H;  
221/185; 105/282.1; 280/163, 851; 56/202,  
56/219, 473.5; 222/608; 198/568

See application file for complete search history.

(56) **References Cited**

**U.S. PATENT DOCUMENTS**

D198,327 S *	6/1964	Tyler	.....	D15/13
3,318,486 A *	5/1967	Felix	.....	410/31
3,554,576 A *	1/1971	Parker	.....	280/124.113
3,700,283 A *	10/1972	Birdsall	.....	298/7
3,994,512 A *	11/1976	Parker et al.	.....	280/687
3,997,215 A *	12/1976	Parker et al.	.....	298/24
D249,520 S *	9/1978	Van Mill	.....	D15/27
4,324,434 A *	4/1982	Friese	.....	298/27
4,415,303 A *	11/1983	Westendorf et al.	.....	414/519
D284,116 S *	6/1986	Linde	.....	D15/28

D284,382 S *	6/1986	Black et al.	.....	D15/28
4,646,942 A *	3/1987	Kuhns	.....	222/144.5
D294,583 S *	3/1988	Blumer et al.	.....	D15/27
D298,329 S *	11/1988	Todd et al.	.....	D15/33
D306,864 S *	3/1990	Van Mill	.....	D15/27
5,100,281 A *	3/1992	Grieshop	.....	414/526
5,340,265 A *	8/1994	Grieshop	.....	414/526
D367,071 S *	2/1996	McKay	.....	D15/27
5,516,253 A *	5/1996	Linscheid et al.	.....	414/519
D436,363 S *	1/2001	Strong et al.	.....	D15/10
D520,524 S *	5/2006	Sandler et al.	.....	D15/13
D544,886 S *	6/2007	Pedracini et al.	.....	D15/26
D569,877 S *	5/2008	Tyler	.....	D15/13
D599,825 S *	9/2009	Schneider et al.	.....	D15/22
D599,830 S *	9/2009	Jacobsthal et al.	.....	D15/33
D606,565 S *	12/2009	Hickenbottom	.....	D15/28

\* cited by examiner

*Primary Examiner* — Mark Goodwin

(74) *Attorney, Agent, or Firm* — Jon B. Sievers

(57) **CLAIM**

I claim the ornamental design for a grain cart, substantially as shown and described.

**DESCRIPTION**

FIG. 1 is a right rear perspective view showing an exemplary design of my grain cart;

FIG. 2 is a right side view thereof;

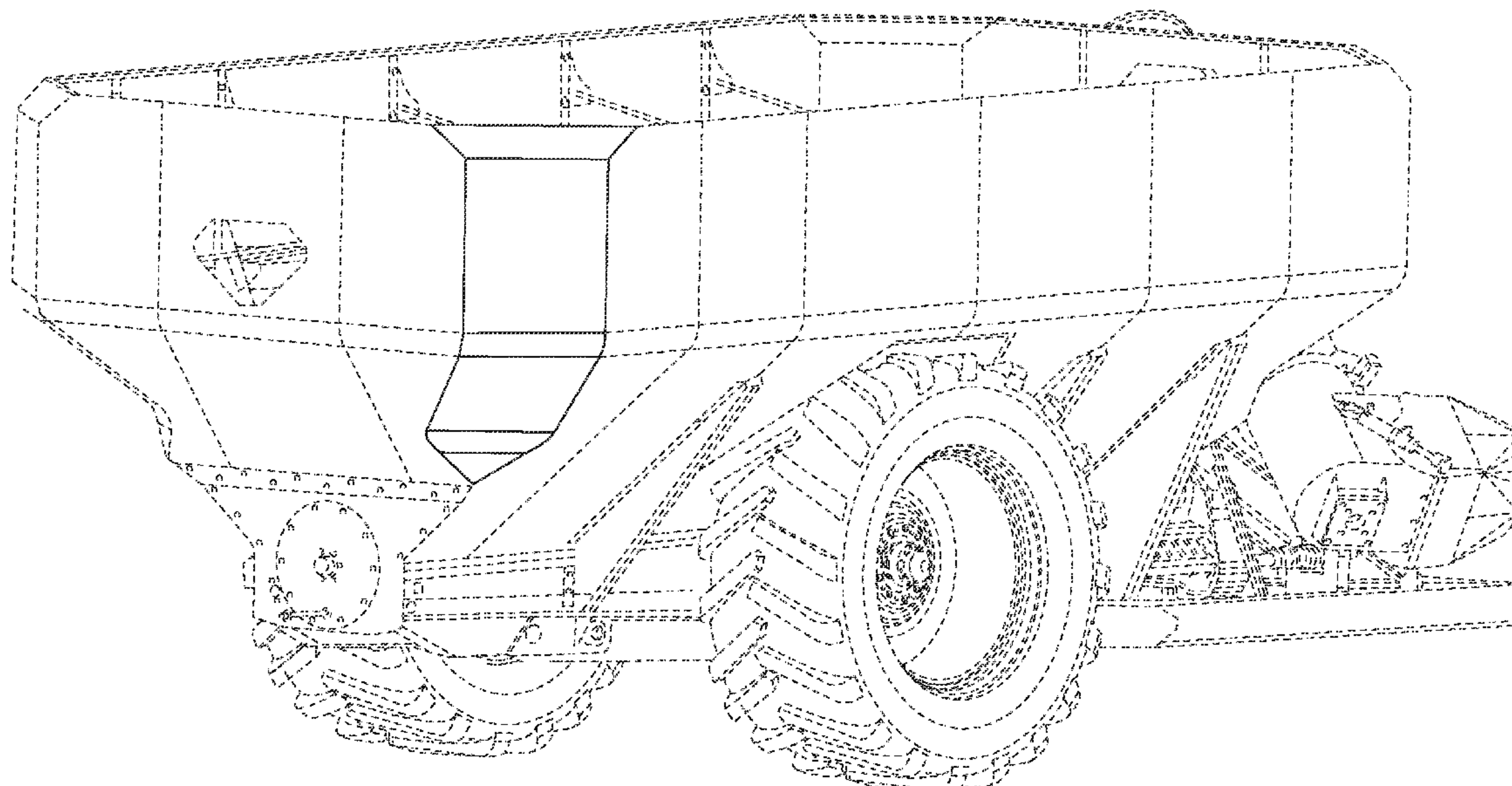
FIG. 3 is a rear view thereof;

FIG. 4 is a top view thereof; and,

FIG. 5 is a bottom view thereof.

The portions of the grain cart and any environment shown in broken lines are for illustrative purposes only and form no part of the claimed design.

**1 Claim, 3 Drawing Sheets**



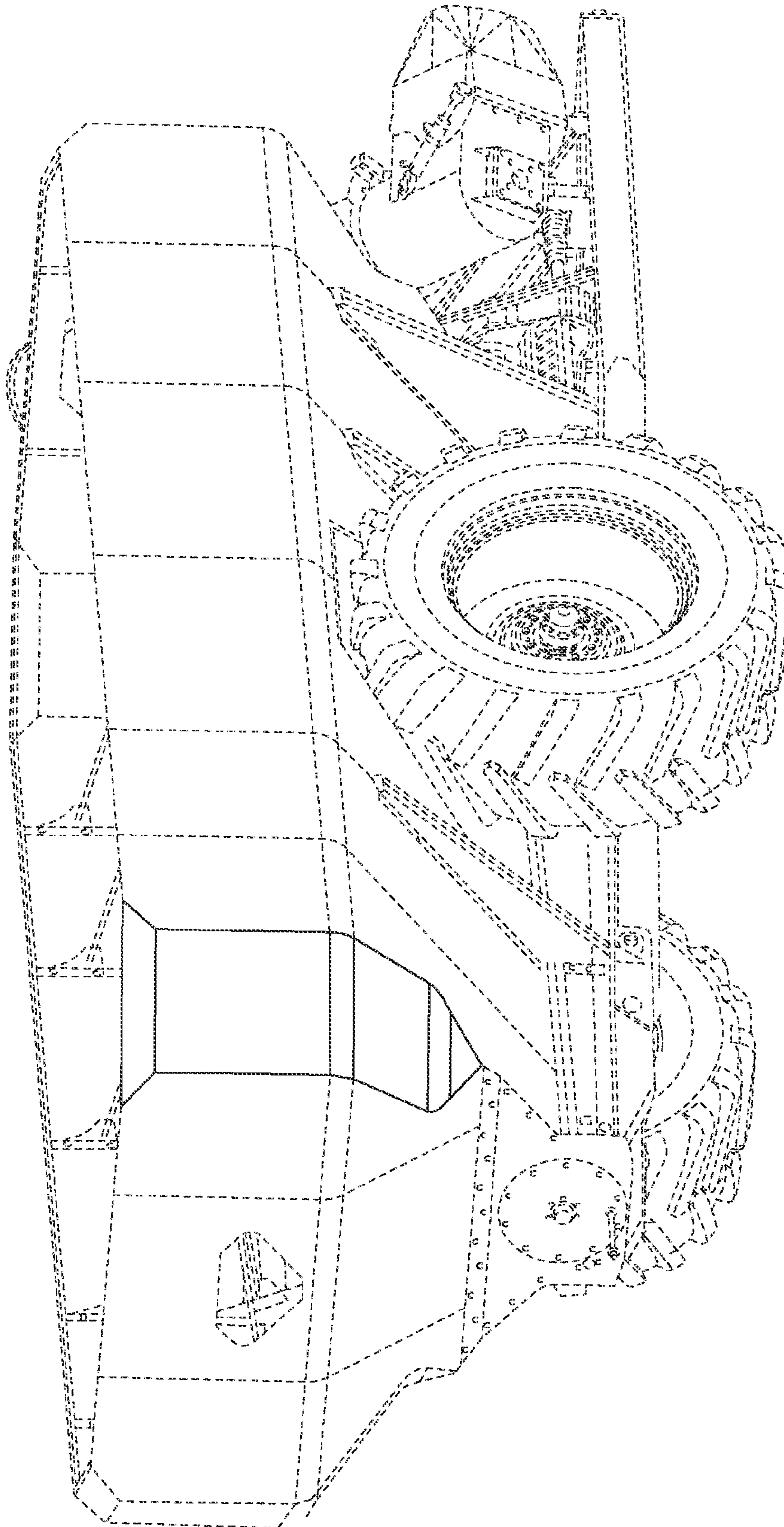


FIG. 1

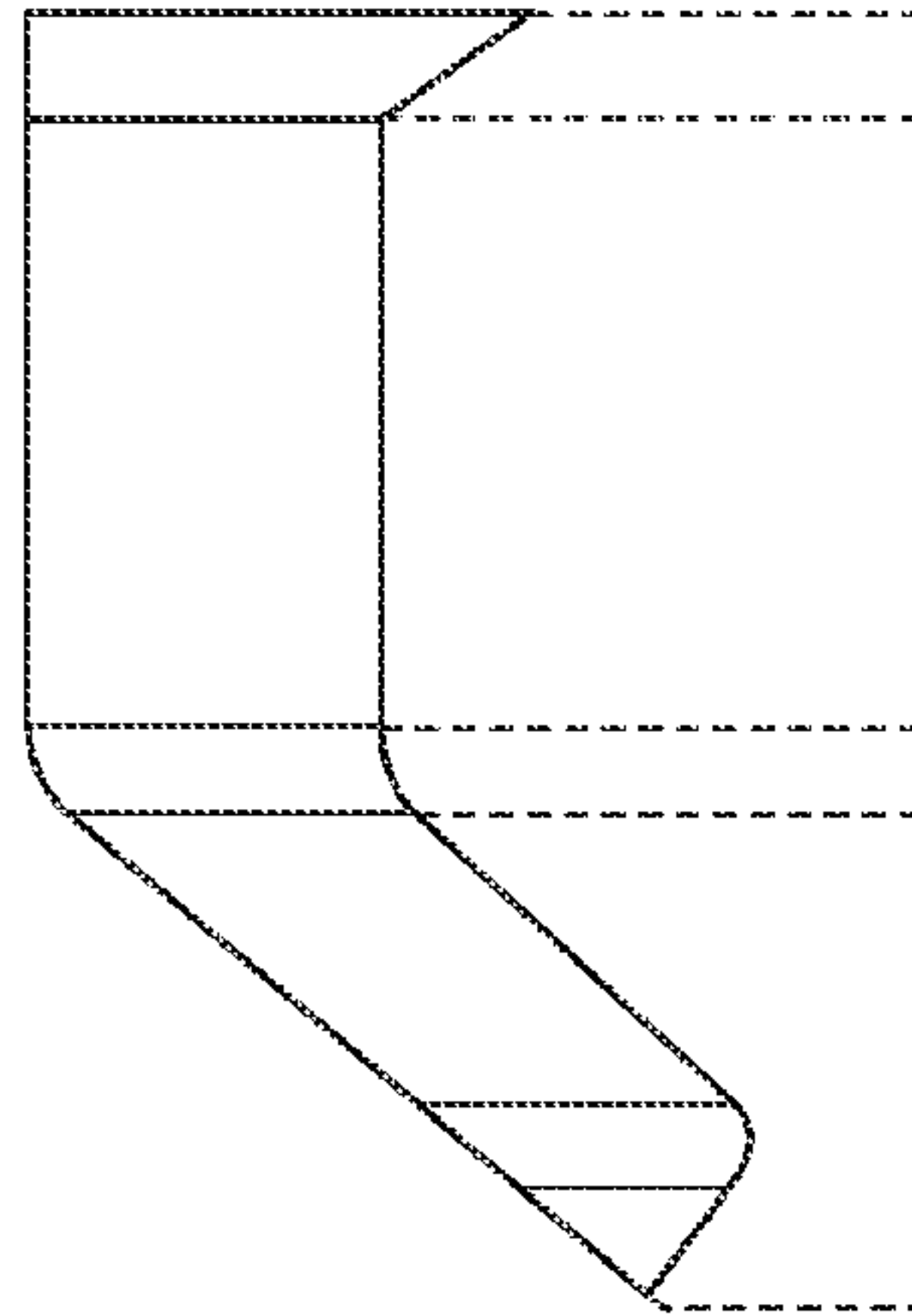


FIG. 2

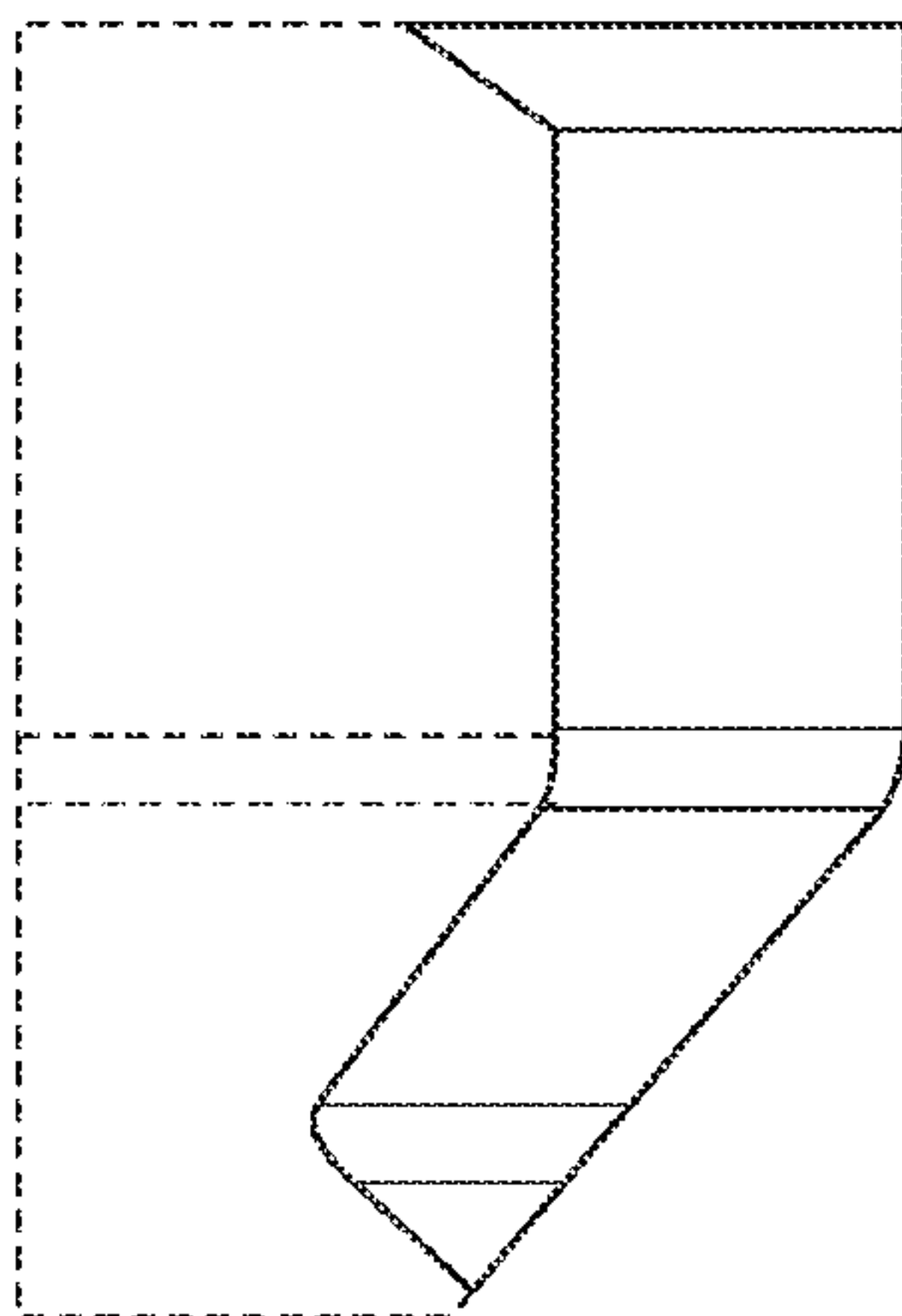


FIG. 3

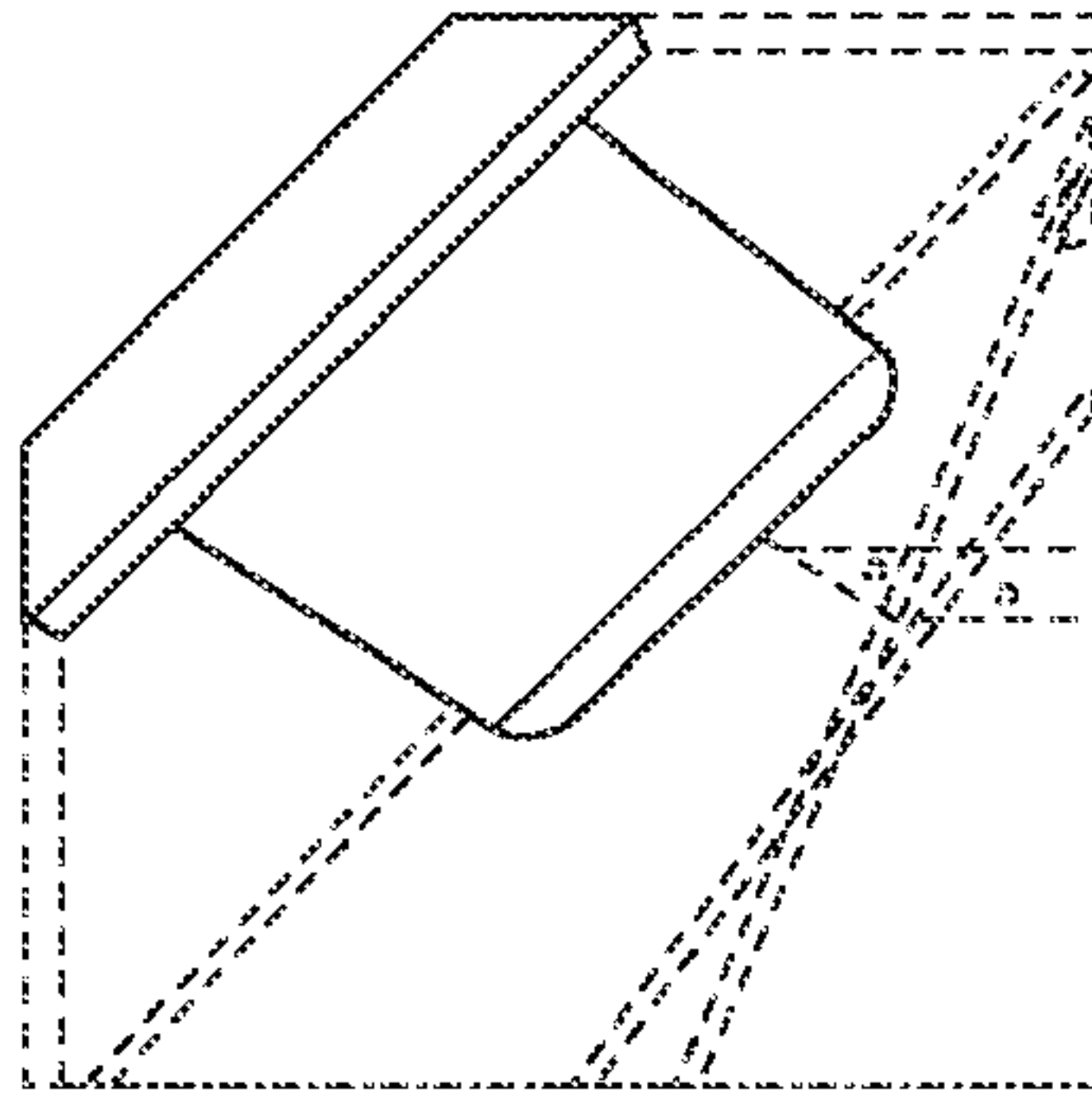


FIG. 4

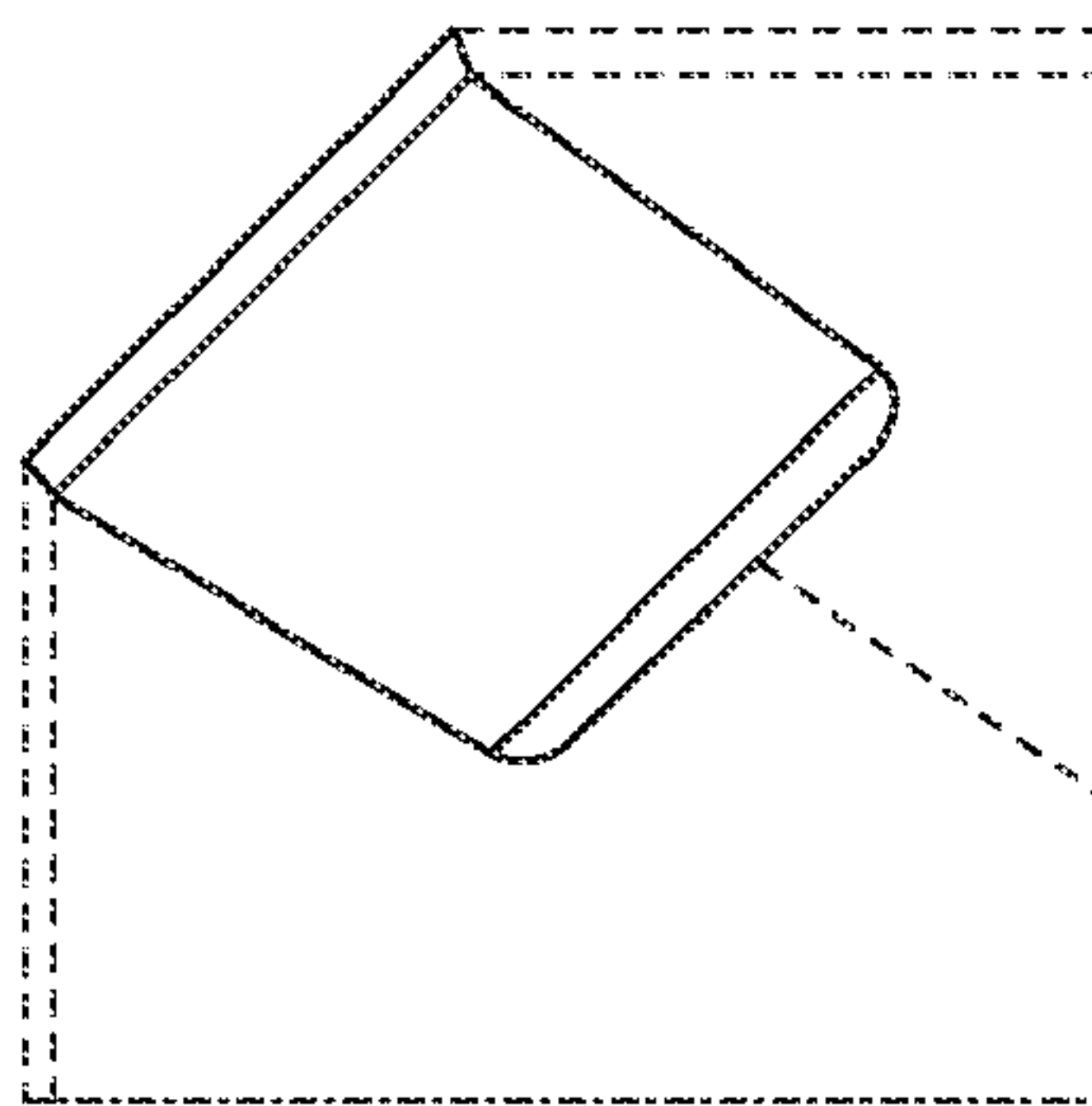


FIG. 5