



US00D670741S

(12) **United States Design Patent**
Abe et al.

(10) **Patent No.:** **US D670,741 S**

(45) **Date of Patent:** **** Nov. 13, 2012**

(54) **RODLESS CYLINDER**

(75) Inventors: **Takashi Abe**, Moriya (JP); **Soichi Sato**, Kashiwa (JP)

(73) Assignee: **SMC Kabushiki Kaisha**, Tokyo (JP)

(**) Term: **14 Years**

(21) Appl. No.: **29/410,019**

(22) Filed: **Jan. 3, 2012**

(30) **Foreign Application Priority Data**

Jul. 5, 2011 (JP) 2011-015353
Jul. 5, 2011 (JP) 2011-015354

(51) **LOC (9) Cl.** **15-02**

(52) **U.S. Cl.** **D15/7**

(58) **Field of Classification Search** D15/7-9;
D23/231, 232, 225; 417/60, 235, 265, 321,
417/355, 358, 363, 359, 410.1, 415-416,
417/405, 900; 60/408, 412; 184/26-37;
415/140-147; 123/495, 509

See application file for complete search history.

(56) **References Cited**

U.S. PATENT DOCUMENTS

D438,215 S * 2/2001 Kaneko D15/7
D444,795 S * 7/2001 Wakasugi et al. D15/7
D461,733 S * 8/2002 Iida D10/85
D589,061 S * 3/2009 Chu D15/7
D655,314 S * 3/2012 Yoshimura et al. D15/9

FOREIGN PATENT DOCUMENTS

JP D1147598 7/2002

* cited by examiner

Primary Examiner — Ralf Seifert

(74) *Attorney, Agent, or Firm* — Holtz, Holtz, Goodman & Chick, PC

(57) **CLAIM**

The ornamental design for a rodless cylinder, as shown and described.

DESCRIPTION

FIG. 1 is a front, top and left-side perspective view of a rodless cylinder showing the first embodiment of our new design; FIG. 2 is a rear, bottom and right-side perspective view thereof; FIG. 3 is a front view thereof; FIG. 4 is a rear view thereof; FIG. 5 is a top plan view thereof; FIG. 6 is a bottom plan view thereof; FIG. 7 is a left side view thereof; and FIG. 8 is a right side view thereof. FIG. 9 is a top, front and left-side perspective view of a rodless cylinder showing a second embodiment of our new design; FIG. 10 is a bottom, rear and right-side perspective view of FIG. 9; FIG. 11 is a front view of FIG. 9; FIG. 12 is a rear view of FIG. 9; FIG. 13 is a top plan view of FIG. 9; FIG. 14 is a bottom plan view of FIG. 9; FIG. 15 is a left side view of FIG. 9; and, FIG. 16 is a right side view of FIG. 9.

1 Claim, 16 Drawing Sheets

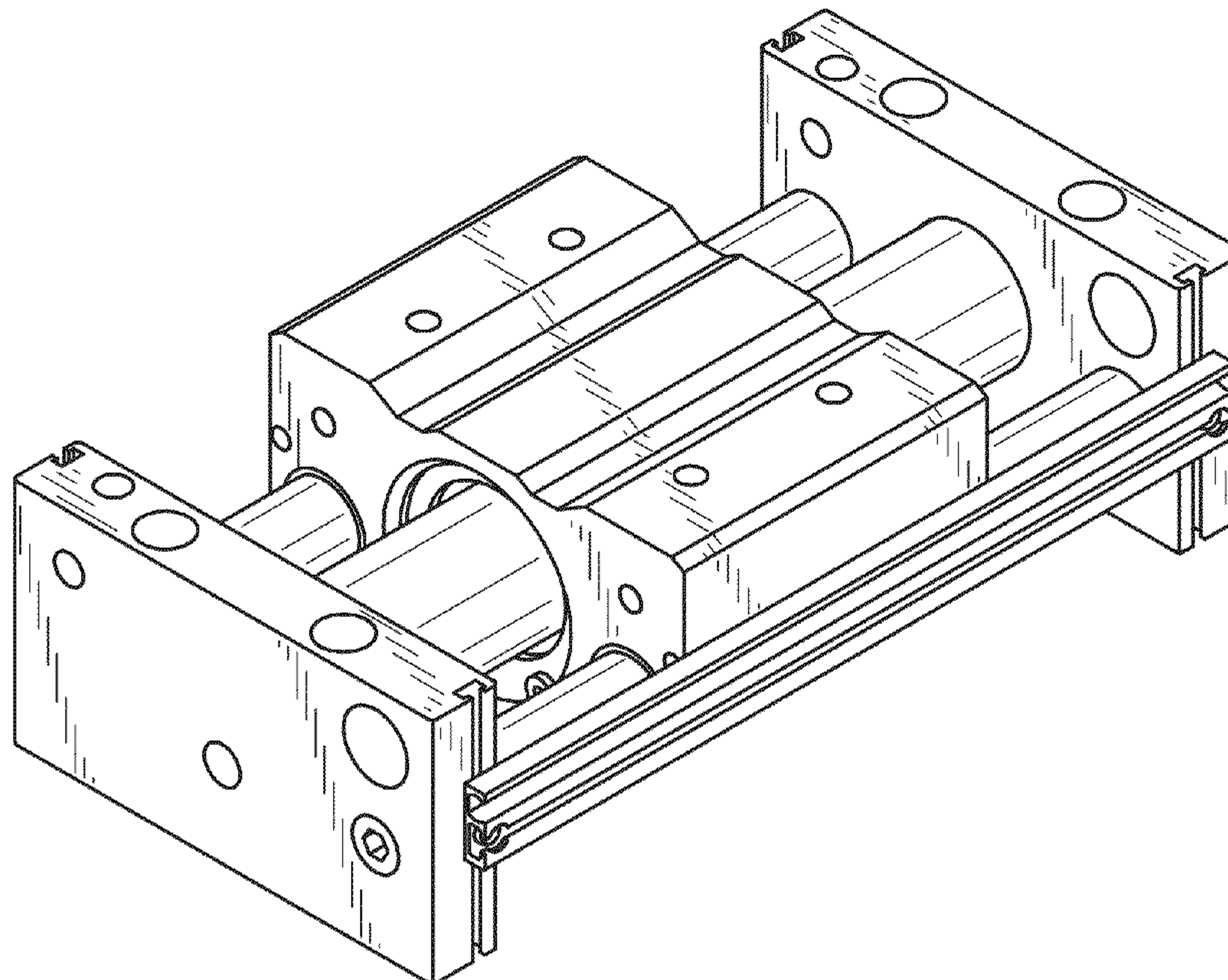


FIG. 1

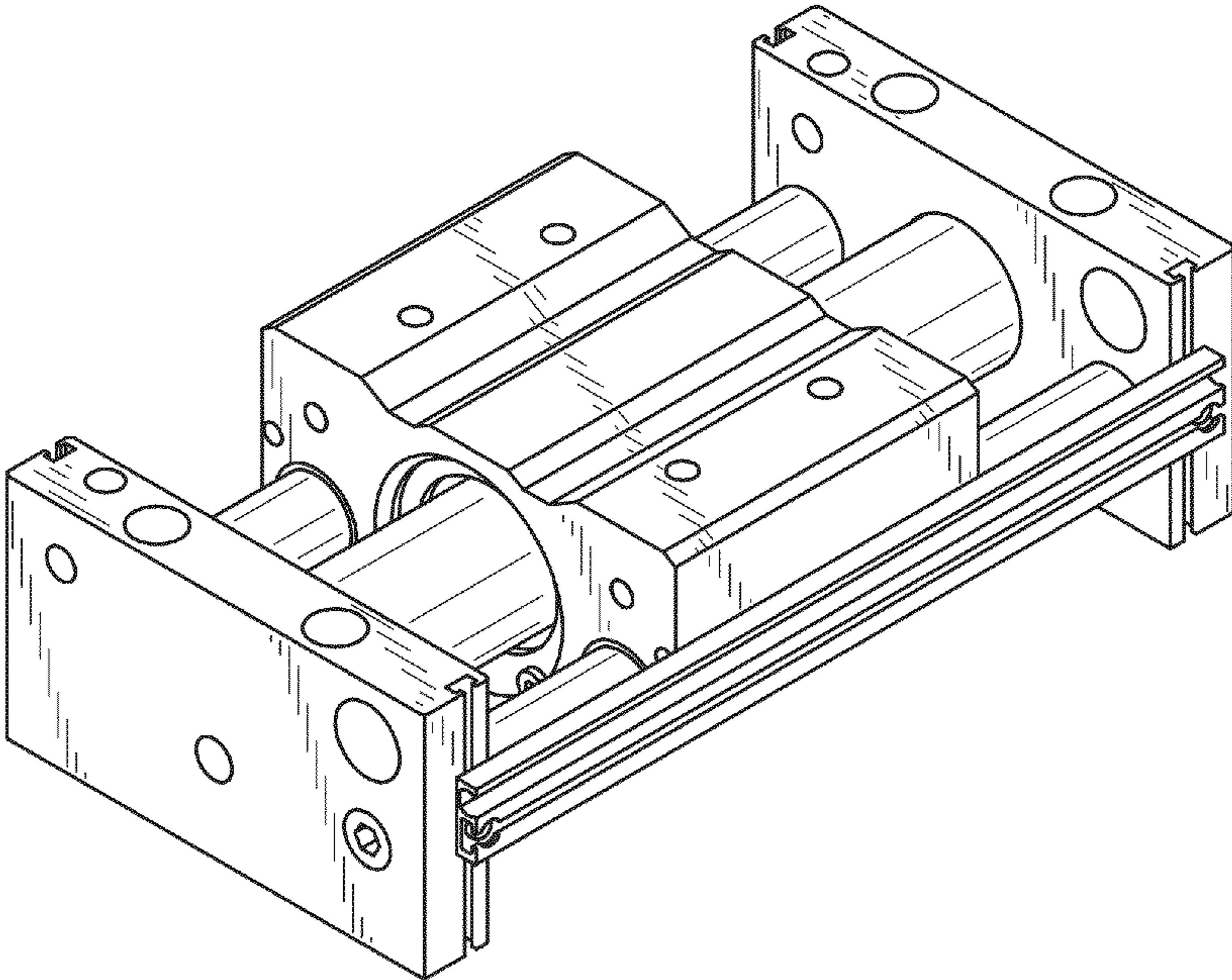


FIG. 2

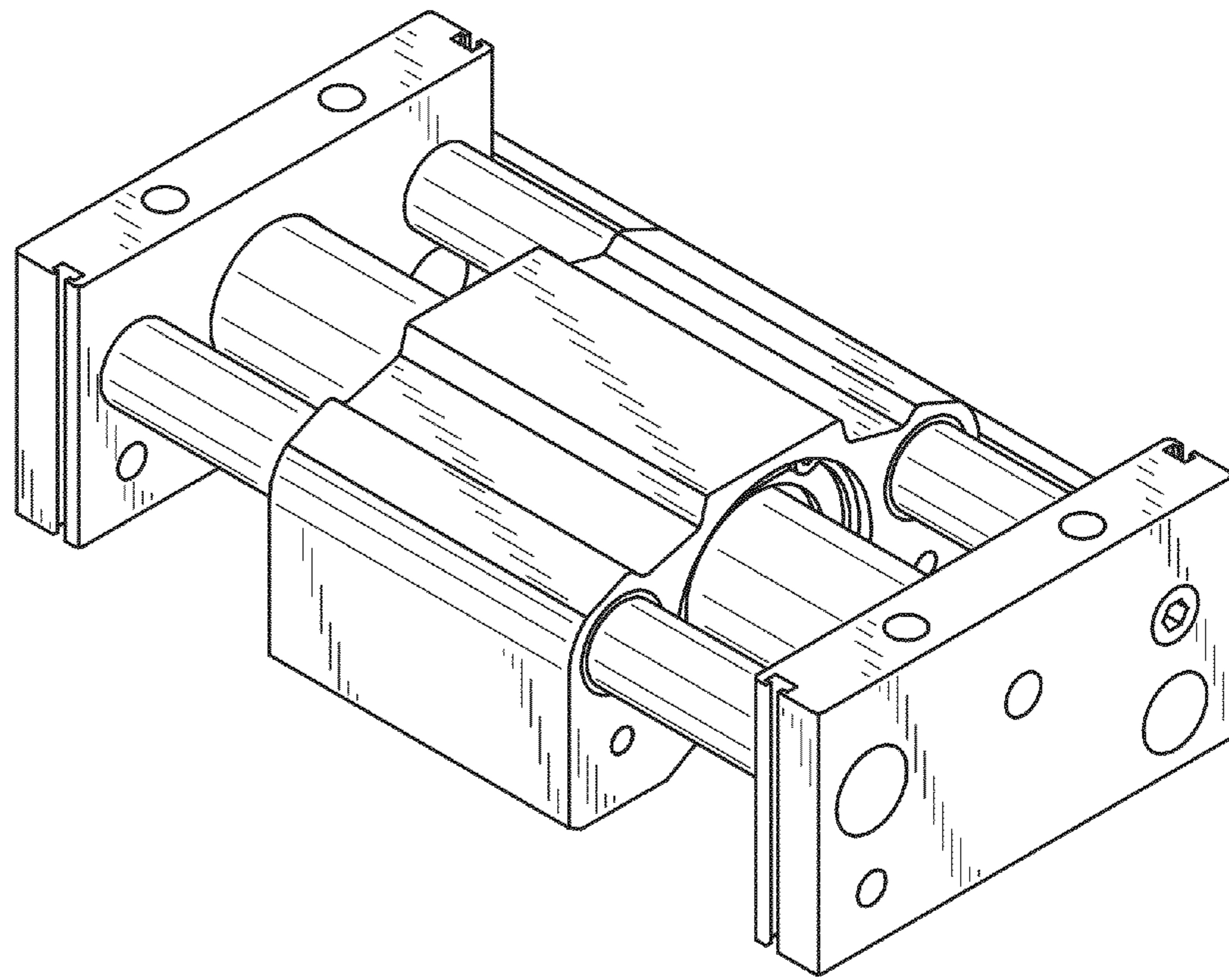


FIG. 3

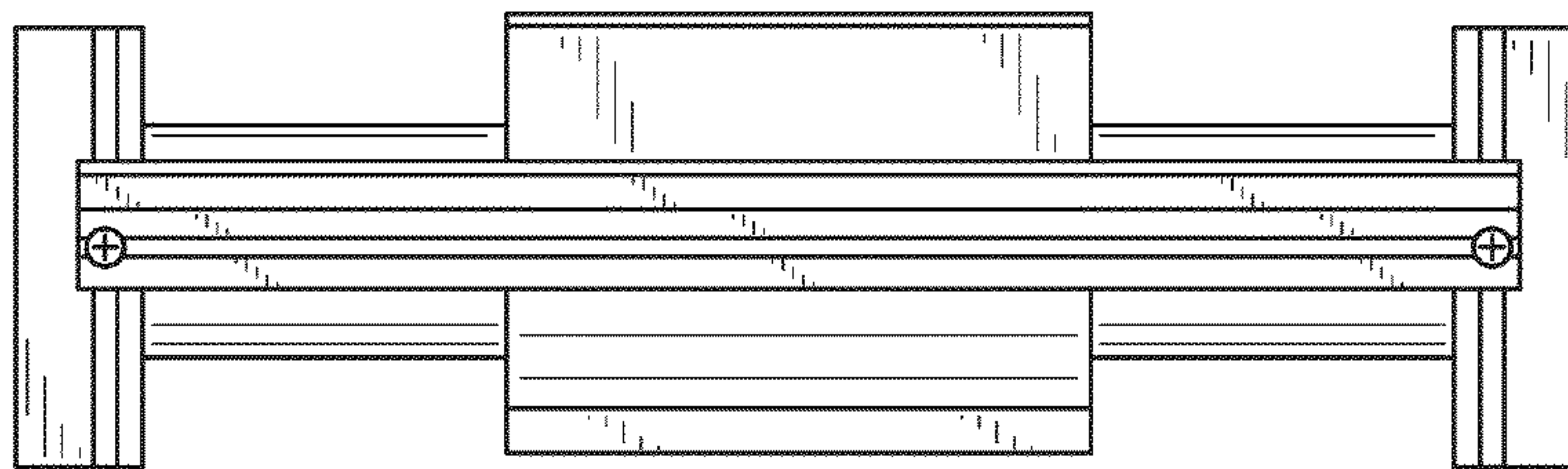


FIG. 4

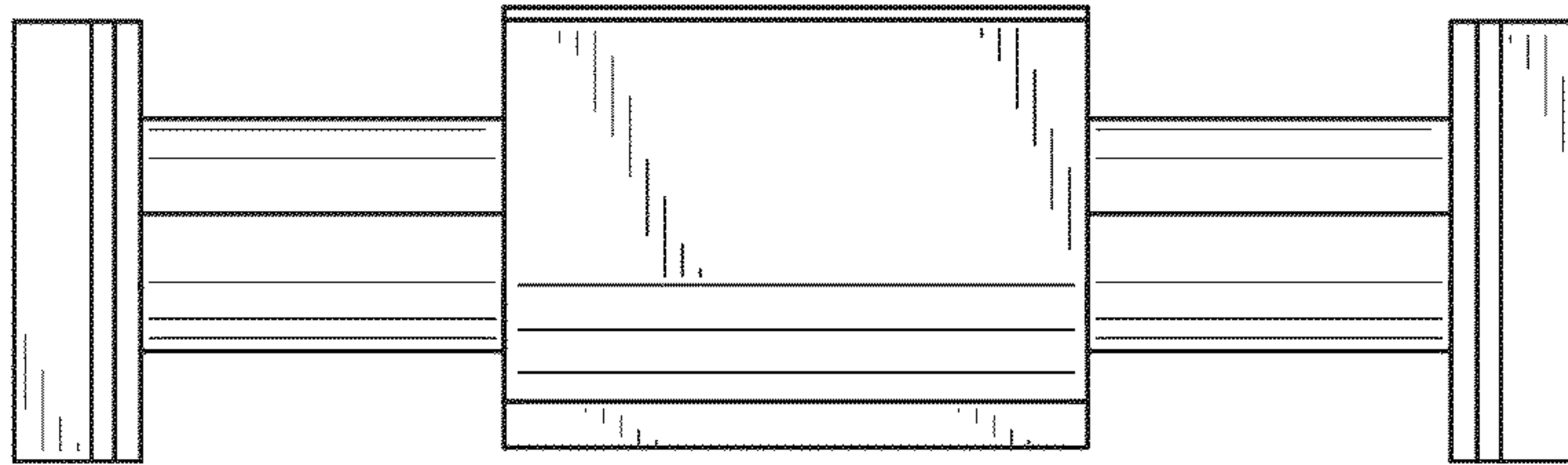


FIG. 5

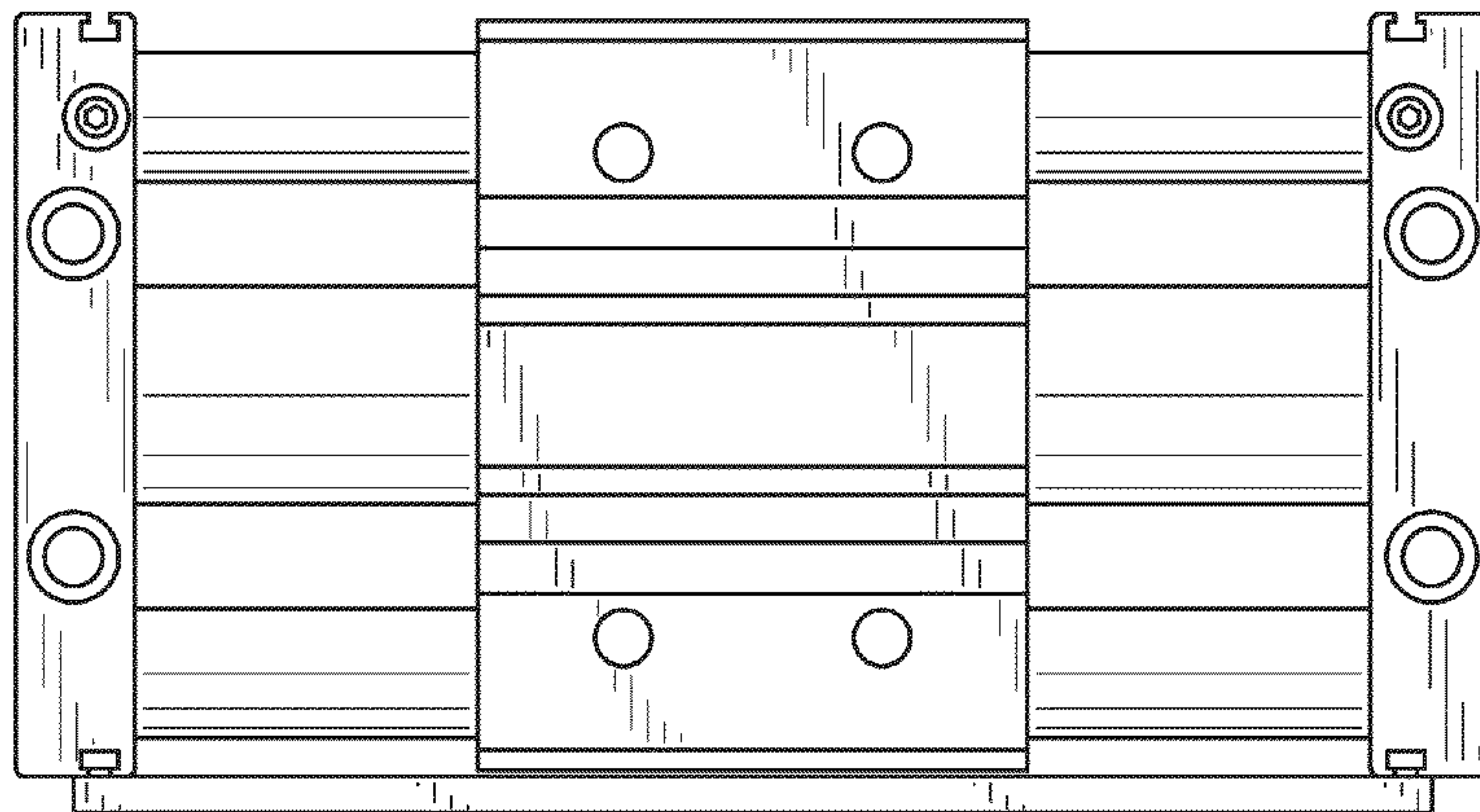


FIG. 6

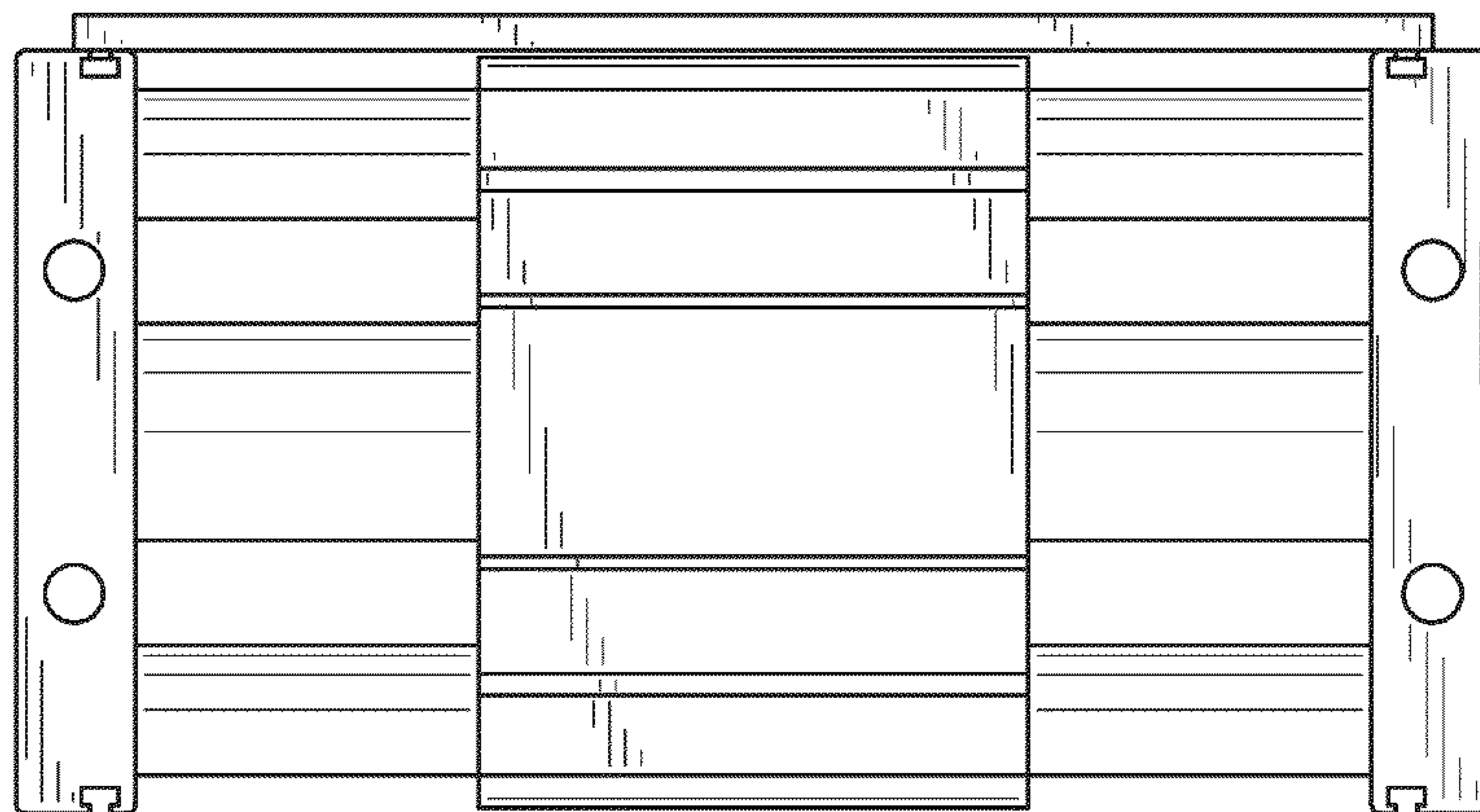


FIG. 7

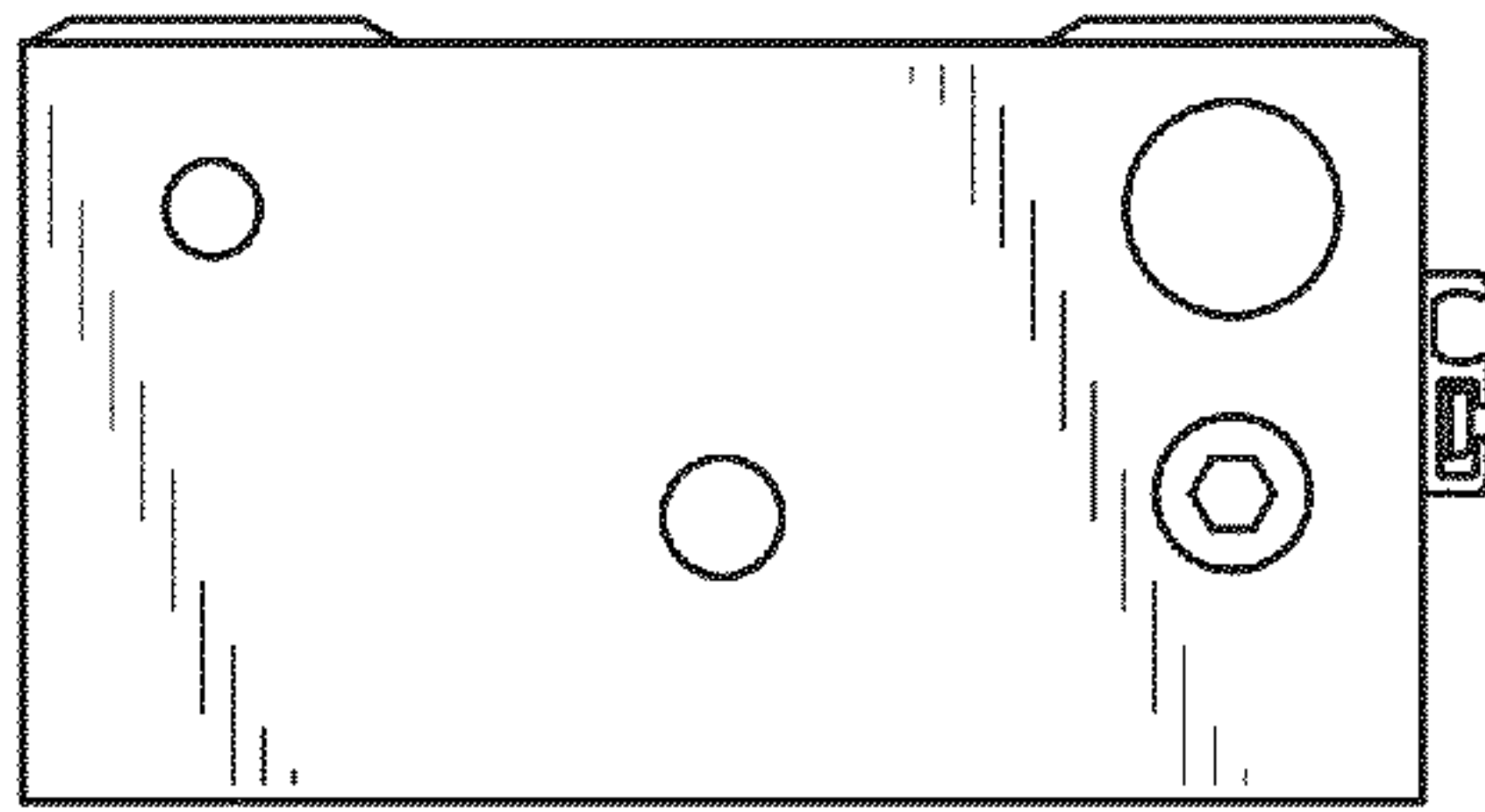


FIG. 8

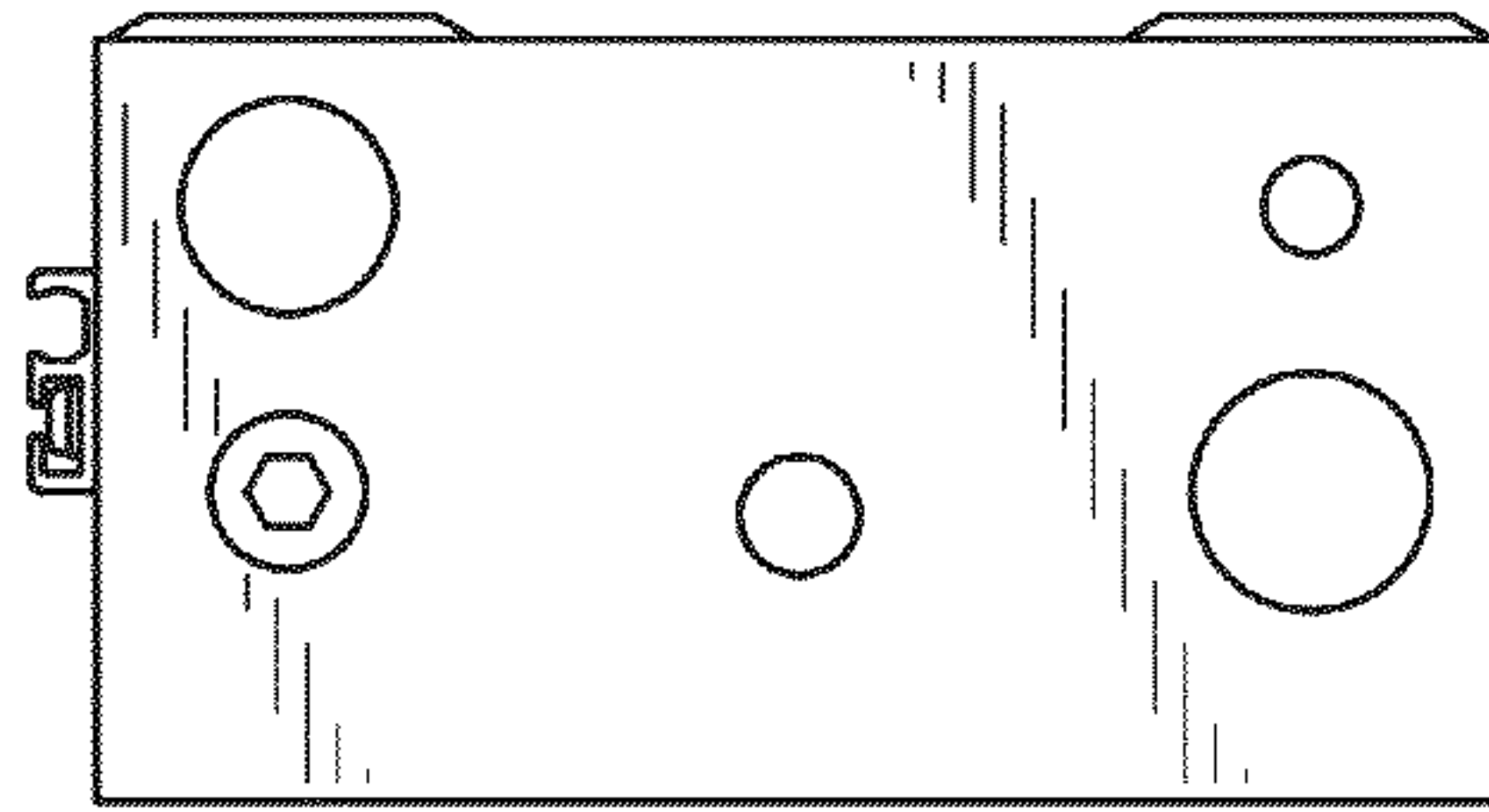


FIG. 9

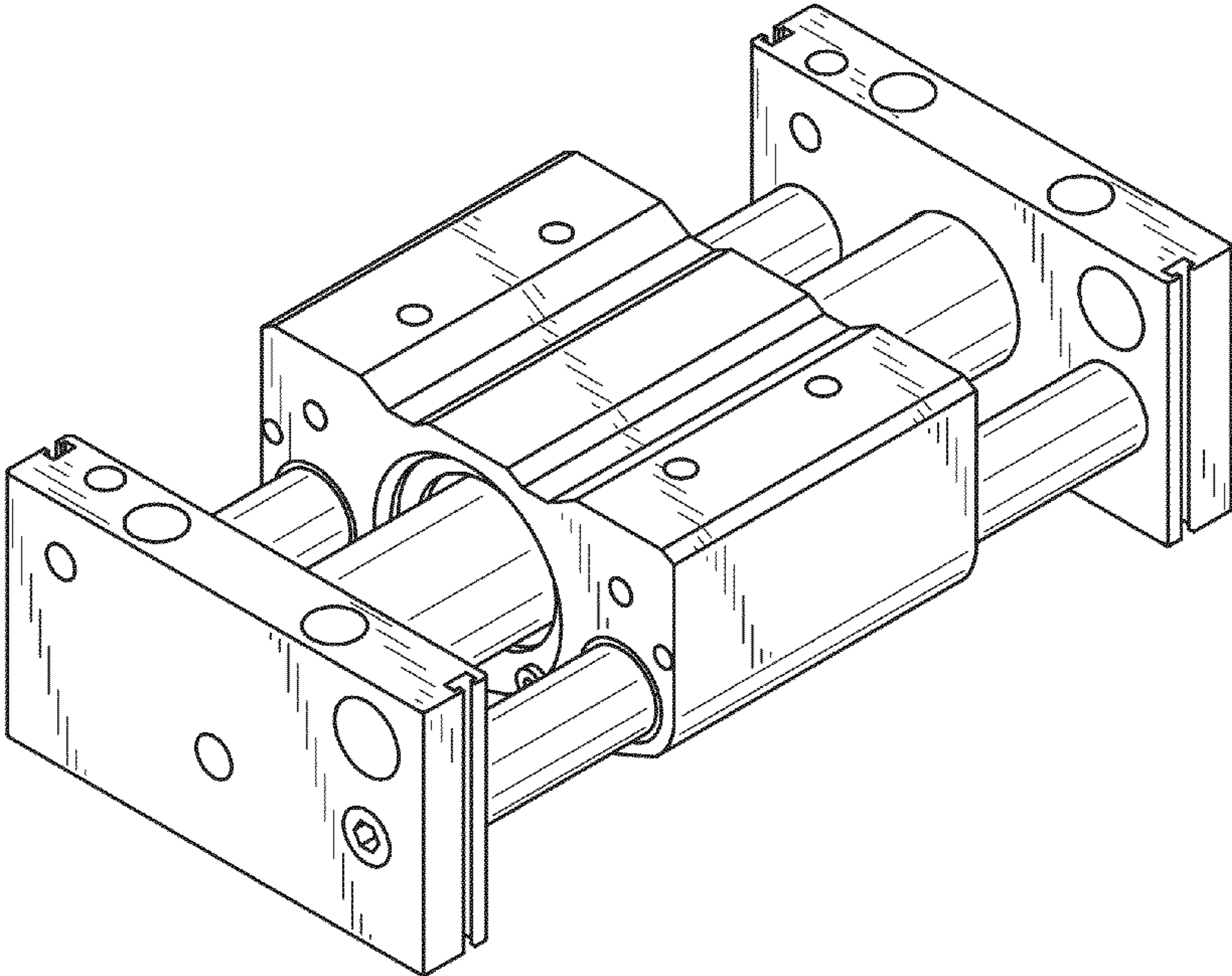


FIG. 10

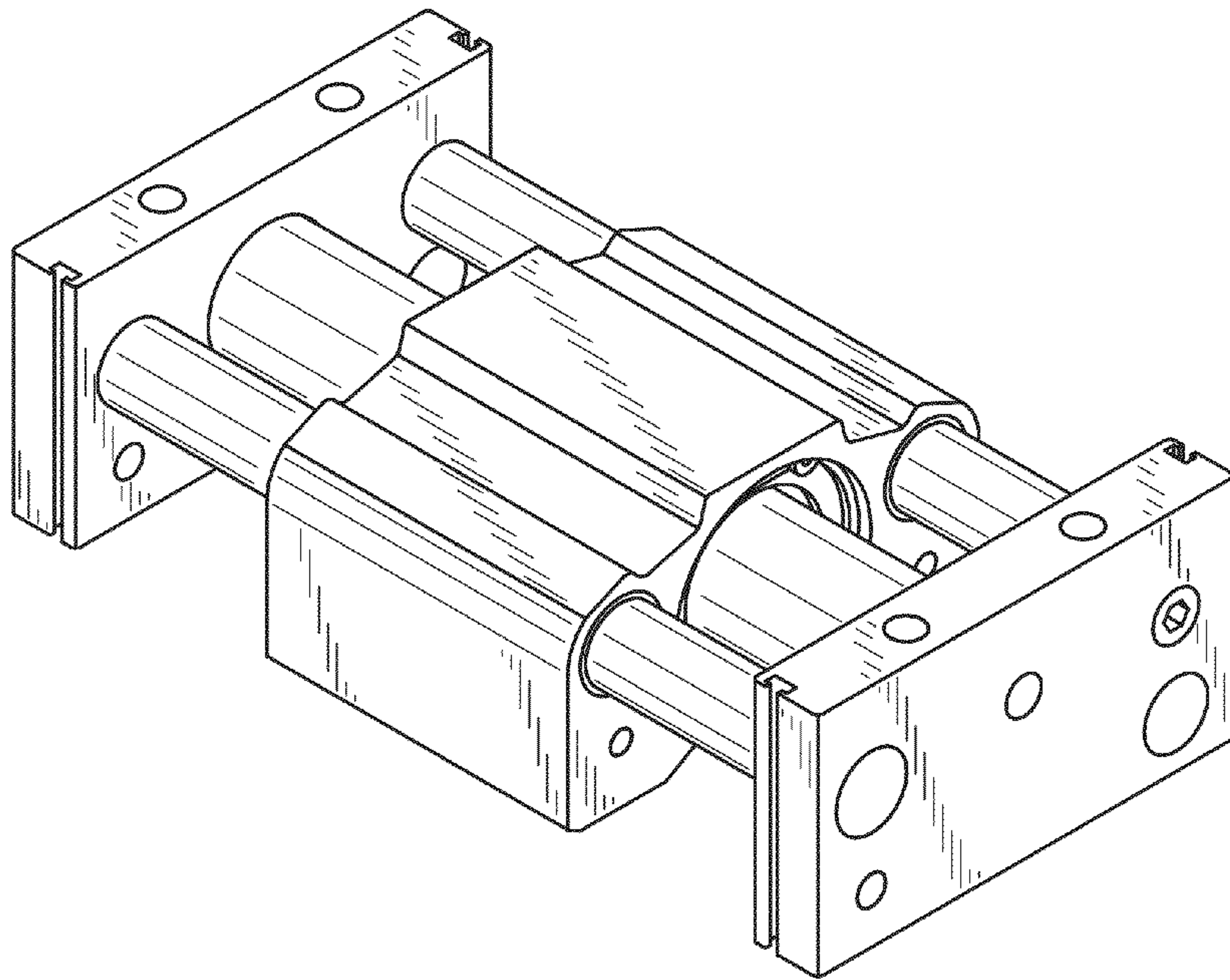


FIG. 11

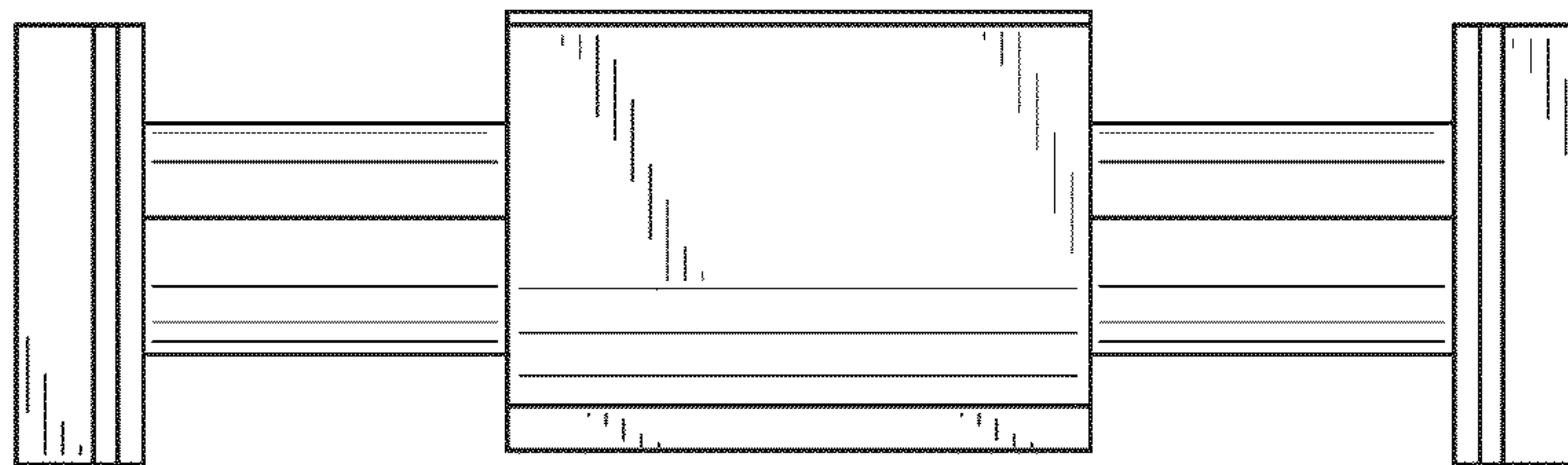


FIG. 12

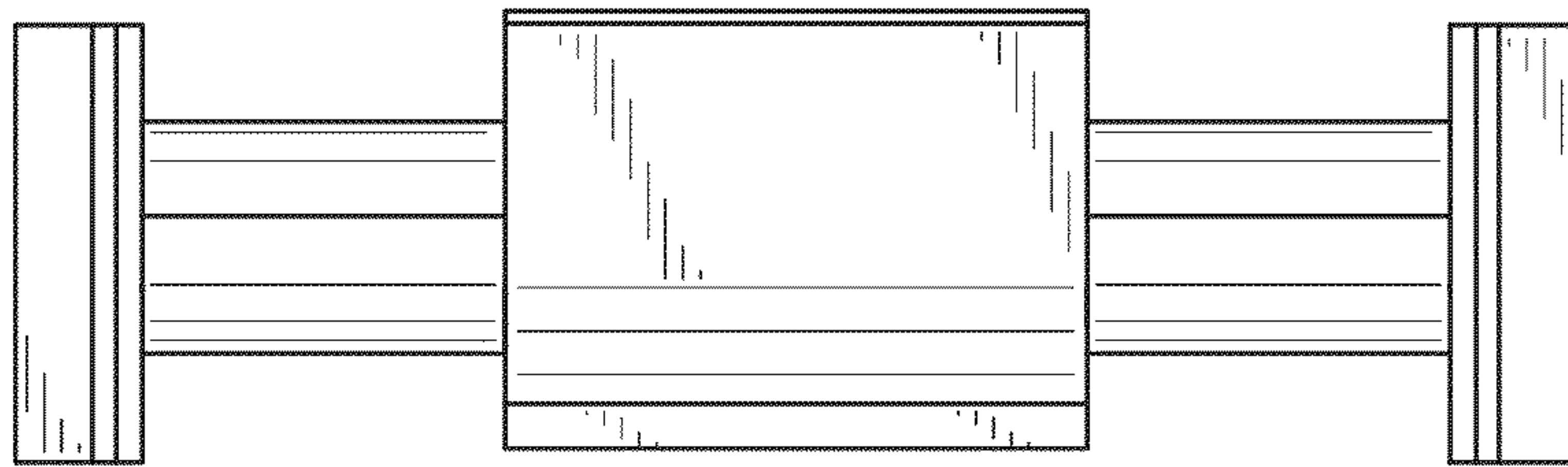


FIG. 13

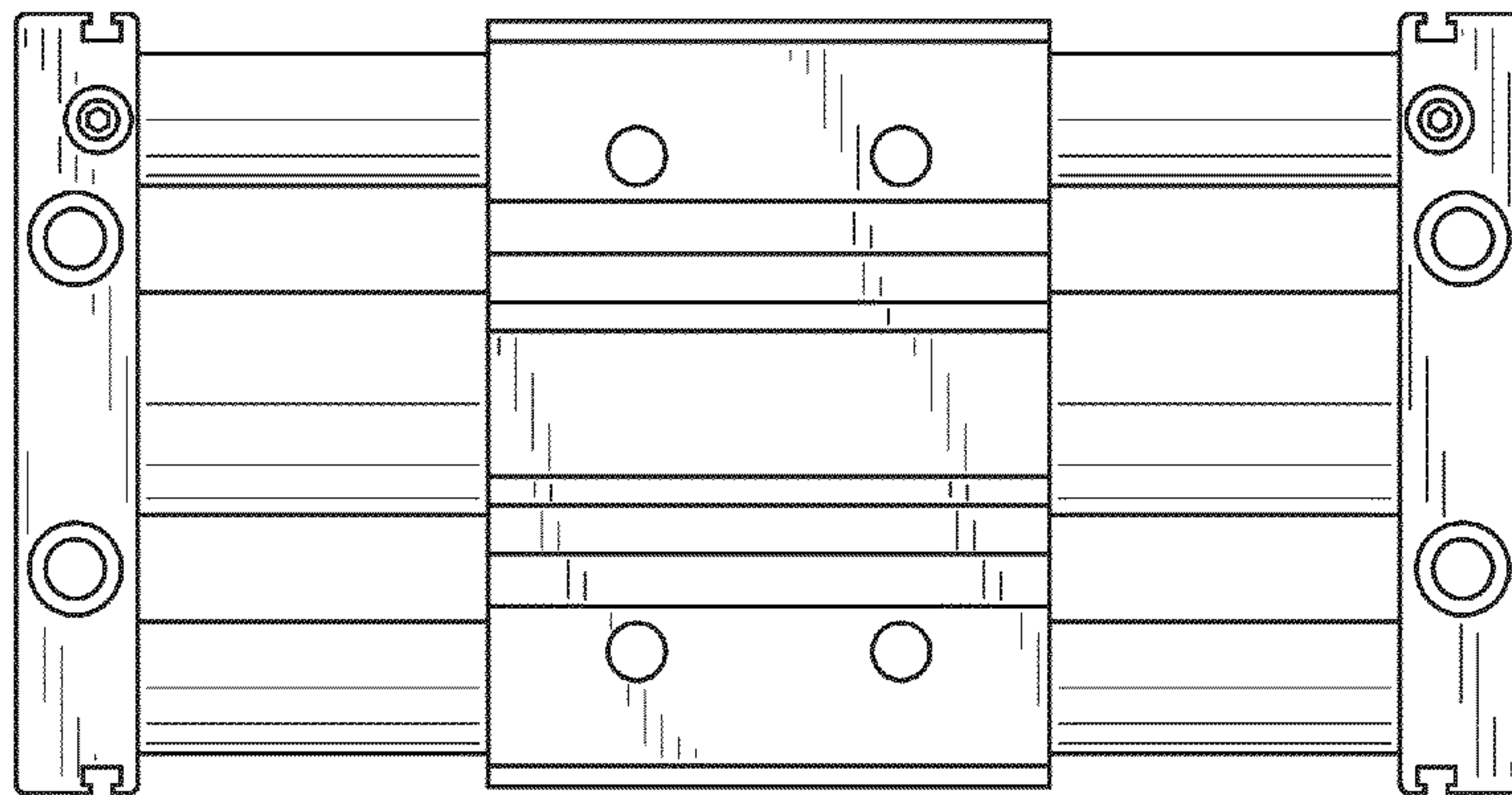


FIG. 14

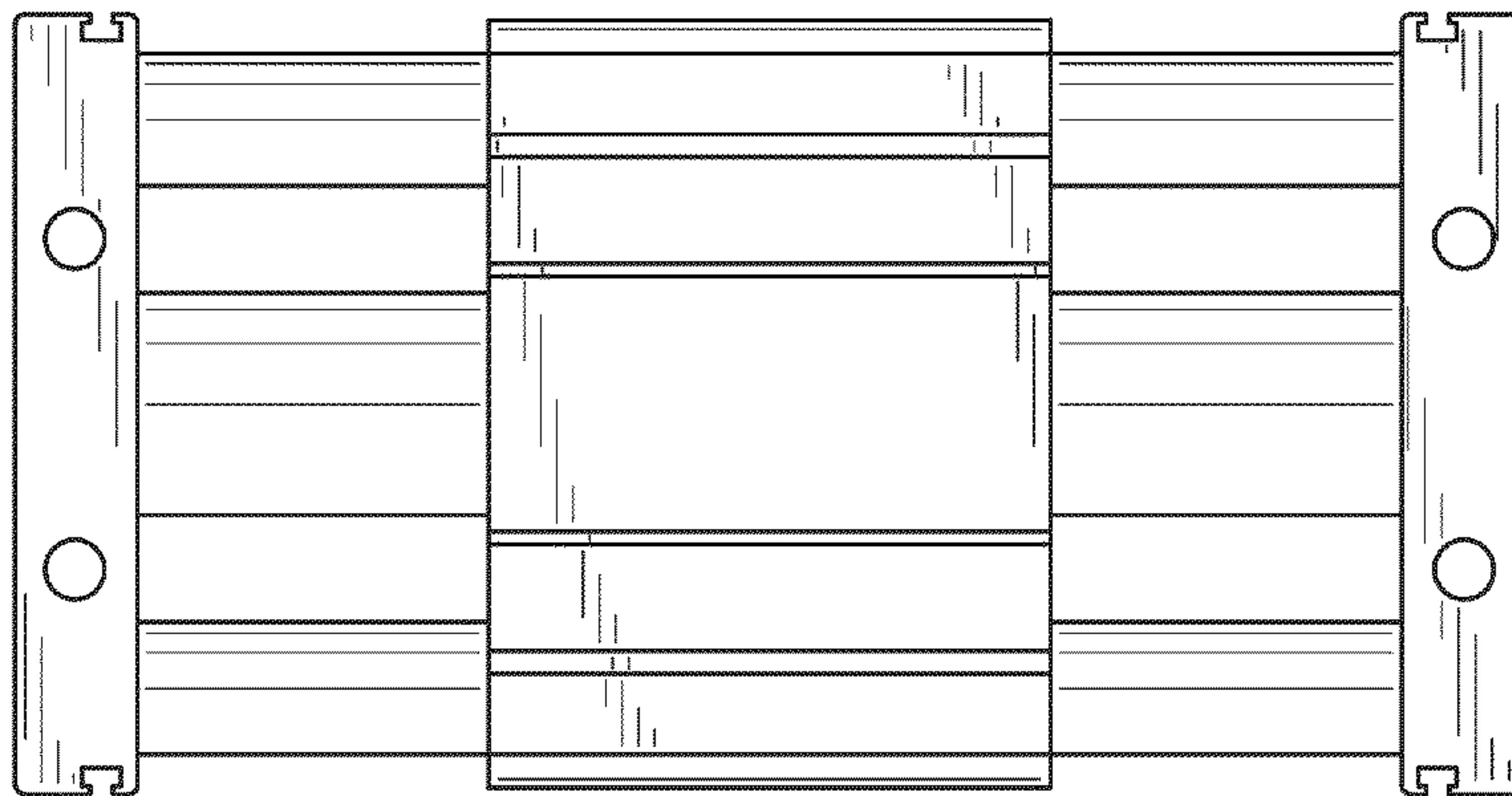


FIG. 15

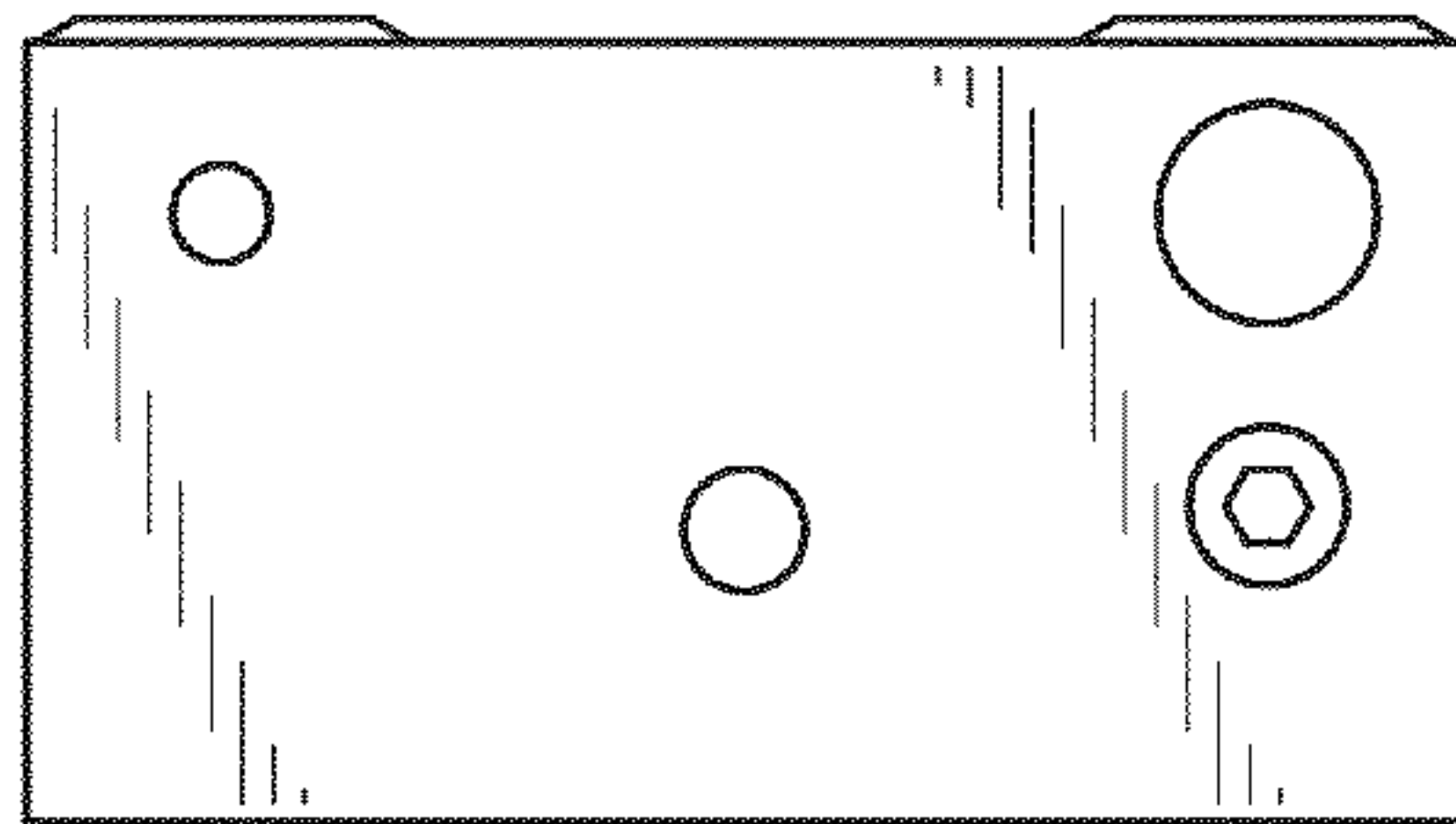


FIG. 16

