



US00D670712S

(12) **United States Design Patent**
Bolotin et al.

(10) **Patent No.:** **US D670,712 S**

(45) **Date of Patent:** **** Nov. 13, 2012**

(54) **PROCESSING APPARATUS AND COVER COMBINATION**

(75) Inventors: **Lev M. Bolotin**, Kirkland, WA (US);
Robert Hubler, Woodinville, WA (US);
Simon B. Johnson, Bonney Lake, WA (US)

(73) Assignee: **ClevX, LLC**, Kirkland, WA (US)

(**) Term: **14 Years**

(21) Appl. No.: **29/403,937**

(22) Filed: **Oct. 12, 2011**

(51) **LOC (9) Cl.** **14-02**

(52) **U.S. Cl.** **D14/480.5**

(58) **Field of Classification Search** D14/411,
D14/433, 435, 435.1, 436-438, 480.1-480.7,
D14/484.1, 137, 155, 203.1-203.8, 240;
D13/133, 146-147, 154; 710/300, 301; 439/131,
439/135-147; 361/679.31, 679.33, 679.4,
361/752; 711/100, 115

See application file for complete search history.

(56) **References Cited**

U.S. PATENT DOCUMENTS

D489,053	S *	4/2004	Nakamura	D14/480.5
D519,503	S *	4/2006	Aqqad et al.	D14/480.5
D537,820	S *	3/2007	Hsu	D14/480.1
D587,719	S *	3/2009	Tate et al.	D14/480.1
7,551,450	B2 *	6/2009	Sugawara et al.	361/752
D607,886	S *	1/2010	Bolotin et al.	D14/480.1
7,740,492	B2 *	6/2010	Dei Rossi et al.	439/131
D620,946	S *	8/2010	Lo	D14/480.5
D624,012	S *	9/2010	de Medeiros et al.	D13/103
2008/0189486	A1 *	8/2008	Nguyen et al.	711/115
2008/0215841	A1 *	9/2008	Bolotin et al.	711/164

OTHER PUBLICATIONS

ClevX. Home, [online], [retrieved on Mar. 22, 2011]. Retrieved from the Internet <URL: <http://www.clevx.com/>>.*

ClevX. Media, [online], [retrieved on Jul. 28, 2009]. Retrieved from the Internet <URL: <http://www.clevx.com/news.html>>.*

USB Flash Memory Stick, Eric Beare Associates Ltd., [online], [retrieved on Dec. 14, 2006]. Retrieved from the Internet <URL: http://www.ericbeare.com/public/Theme19/Large_Window.asp?page=1&ProductID=A%2D0160>.*

Security: Personal Pocket Safe USB Drive So Secure It Has Its Own PIN Pad, [online], [retrieved on Oct. 15, 2008]. Retrieved from the Internet <URL: <http://gizmodo.com/371510/personal-pocket-safe-usb-drive-so-secure-it-has-its-own-pin-pad>>.*

* cited by examiner

Primary Examiner — Karen E Kearney

(74) *Attorney, Agent, or Firm* — Ishimaru & Associates LLP; Mikio Ishimaru; Stanley M. Chang

(57) **CLAIM**

We claim the ornamental design for a processing apparatus and cover combination, as shown and described.

DESCRIPTION

FIG. 1 is a perspective view of a processing apparatus and cover combination showing our new design;

FIG. 2 is a right side view thereof;

FIG. 3 is a left side view thereof;

FIG. 4 is a top view thereof;

FIG. 5 is a bottom view thereof;

FIG. 6 is a front view thereof;

FIG. 7 is a back view thereof;

FIG. 8 is the perspective view of the combination of the processing apparatus having the cover thereover of FIG. 1;

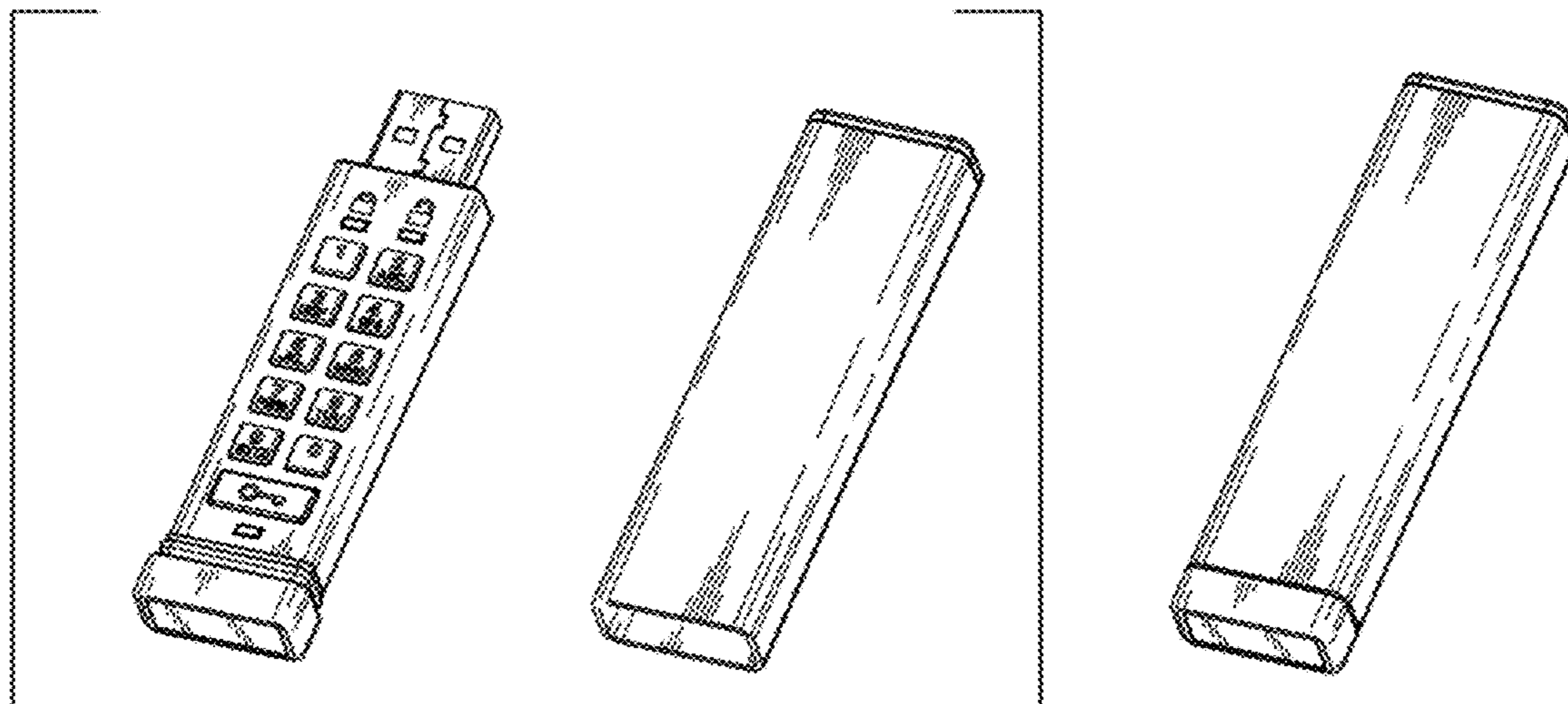
FIG. 9 is the right side view of FIG. 8, the left side view being identical;

FIG. 10 is the front view of FIG. 8, the back view being identical;

FIG. 11 is the top view of FIG. 8; and,

FIG. 12 is the bottom view of FIG. 8.

1 Claim, 4 Drawing Sheets



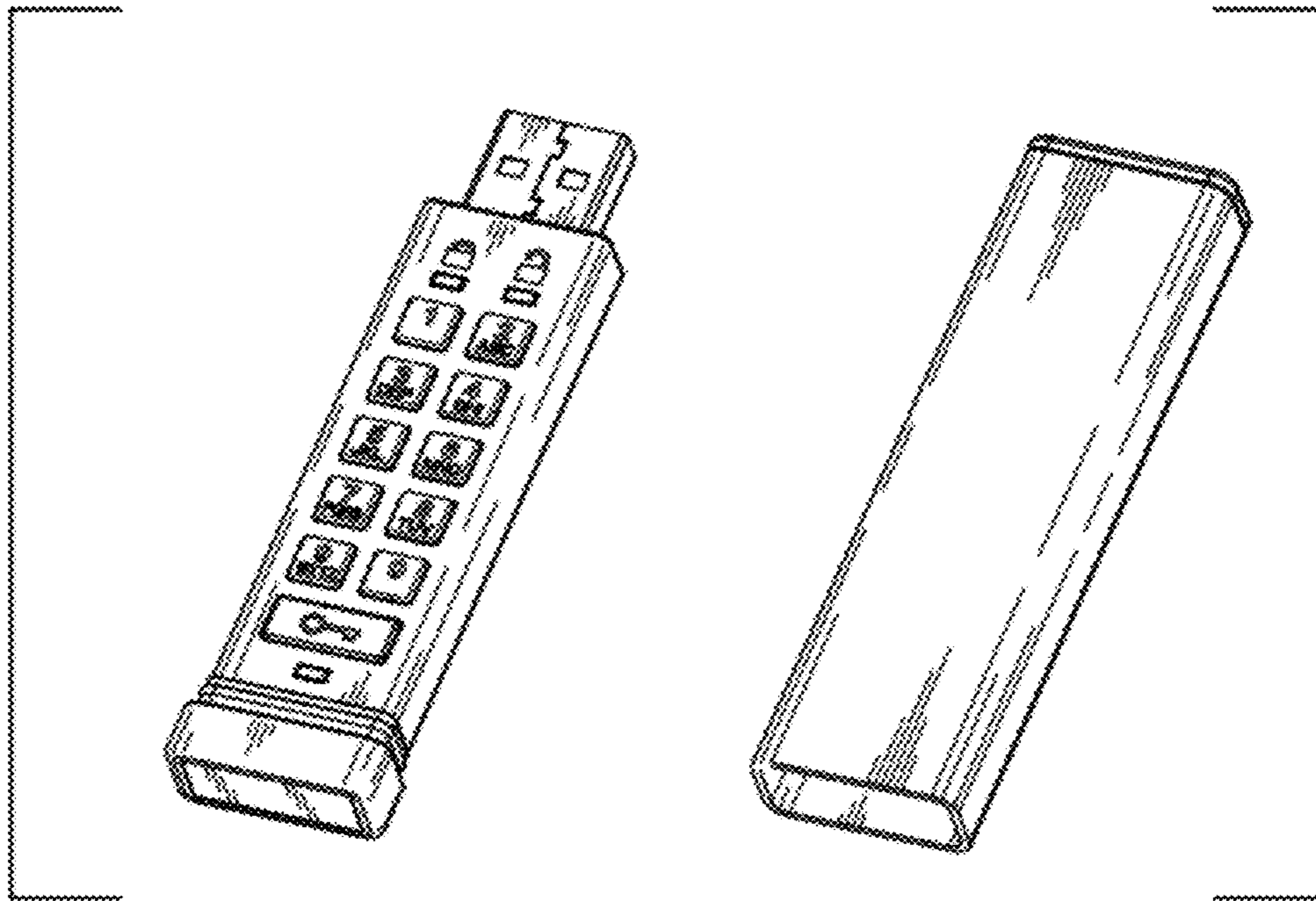


FIG. 1

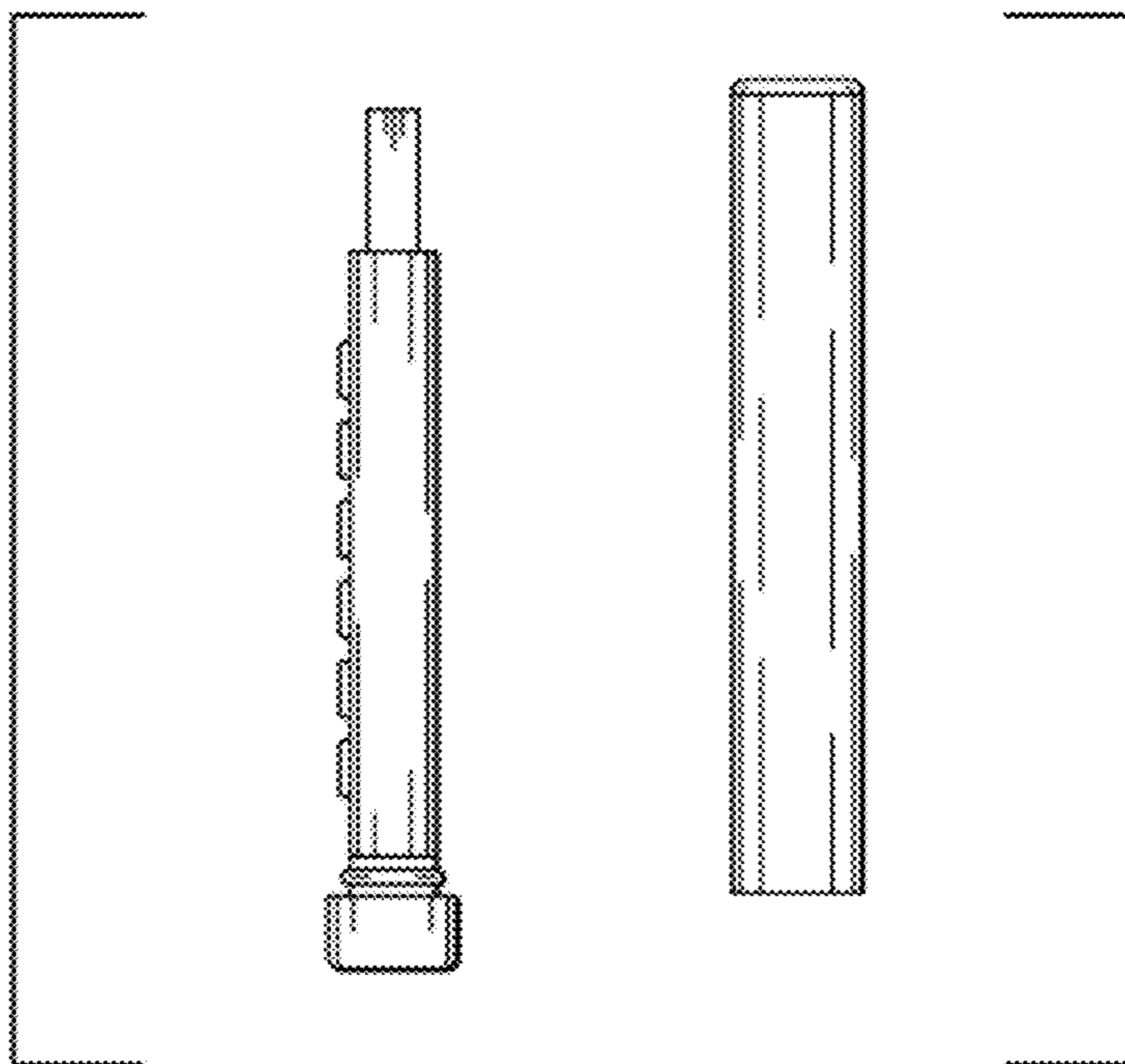


FIG. 2

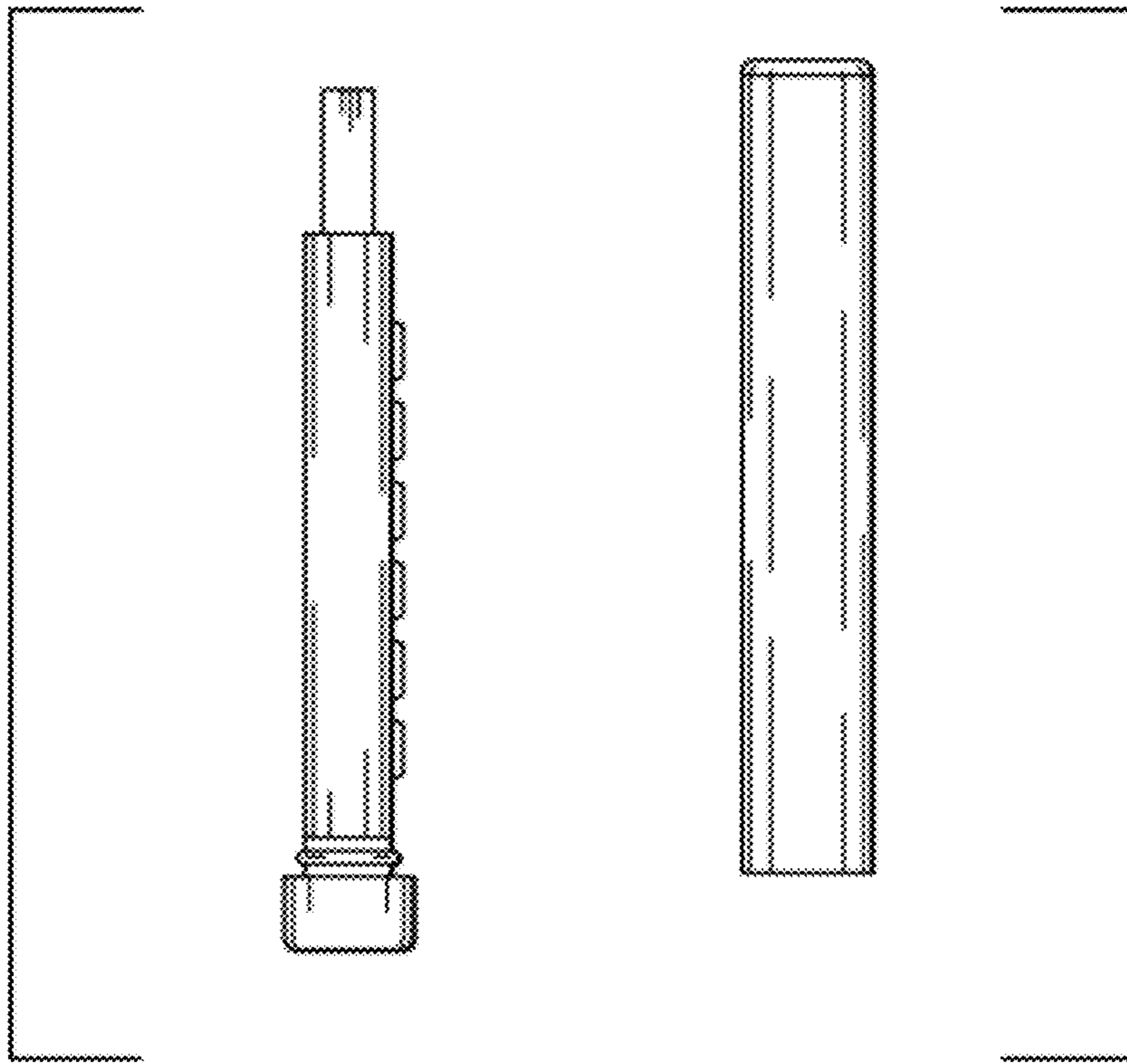


FIG. 3



FIG. 4

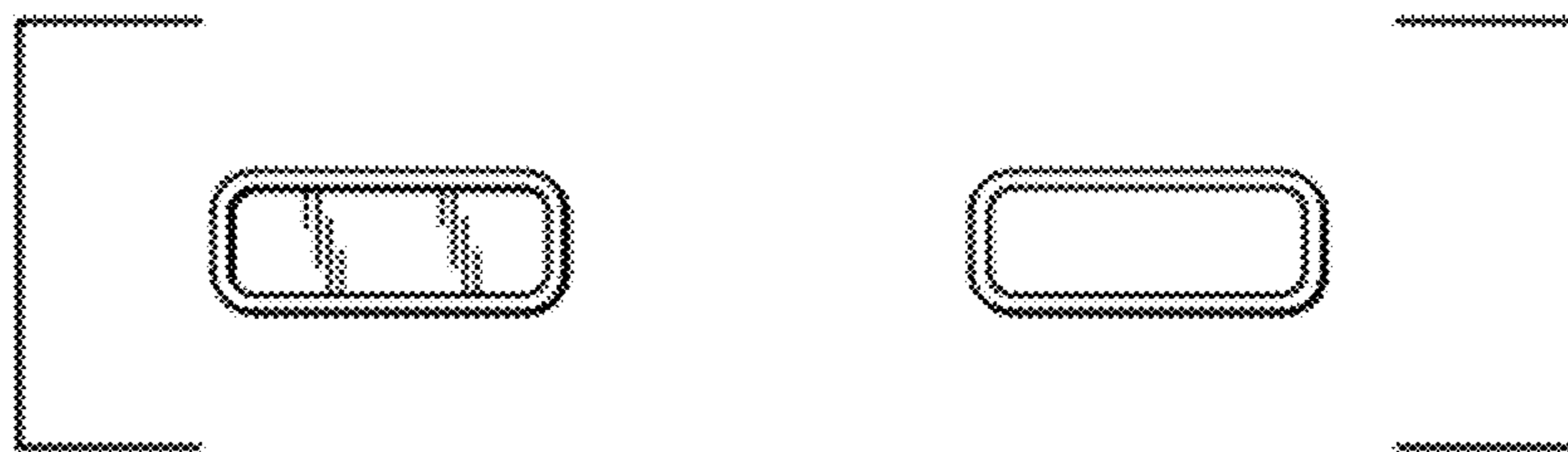


FIG. 5

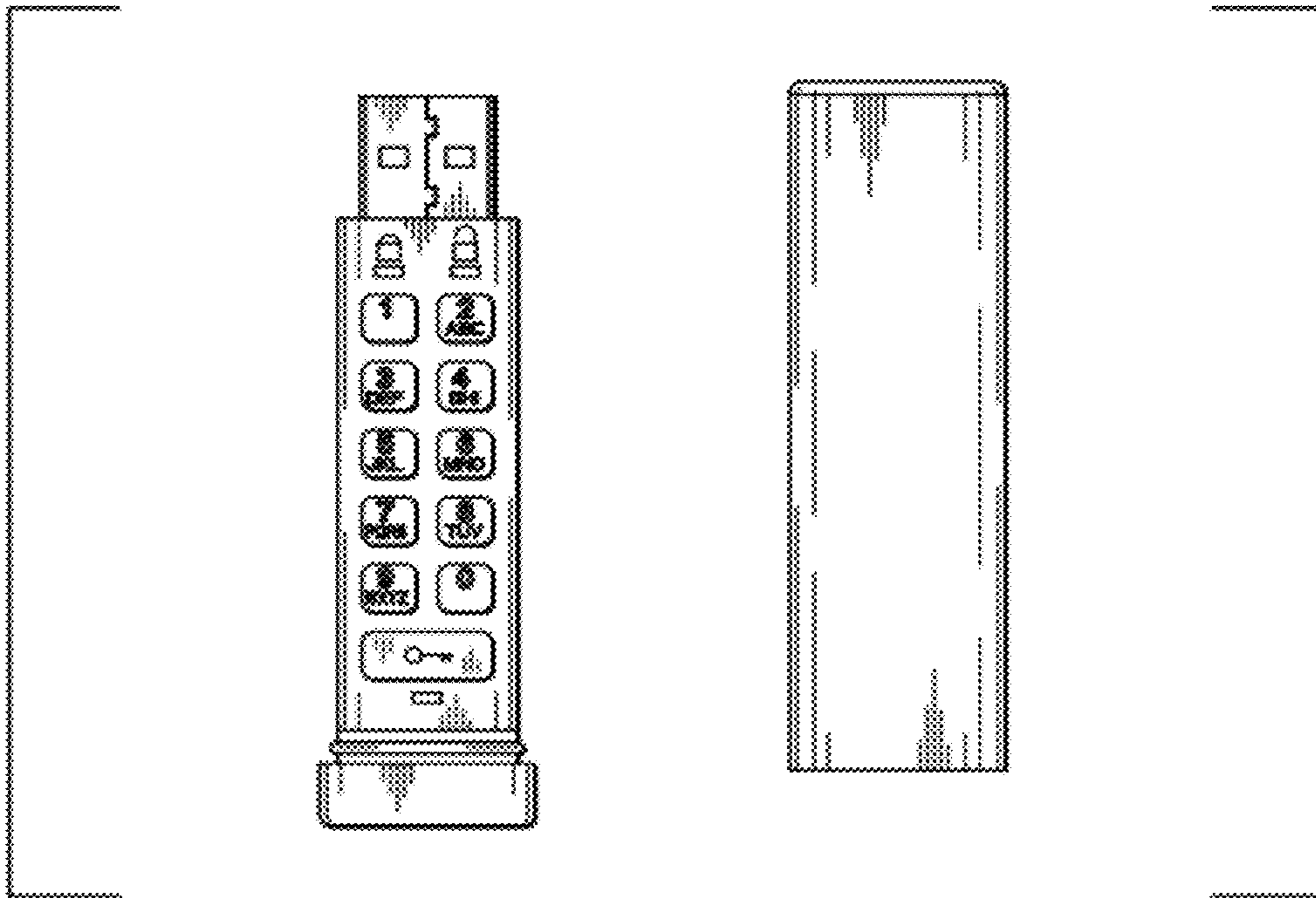


FIG. 6

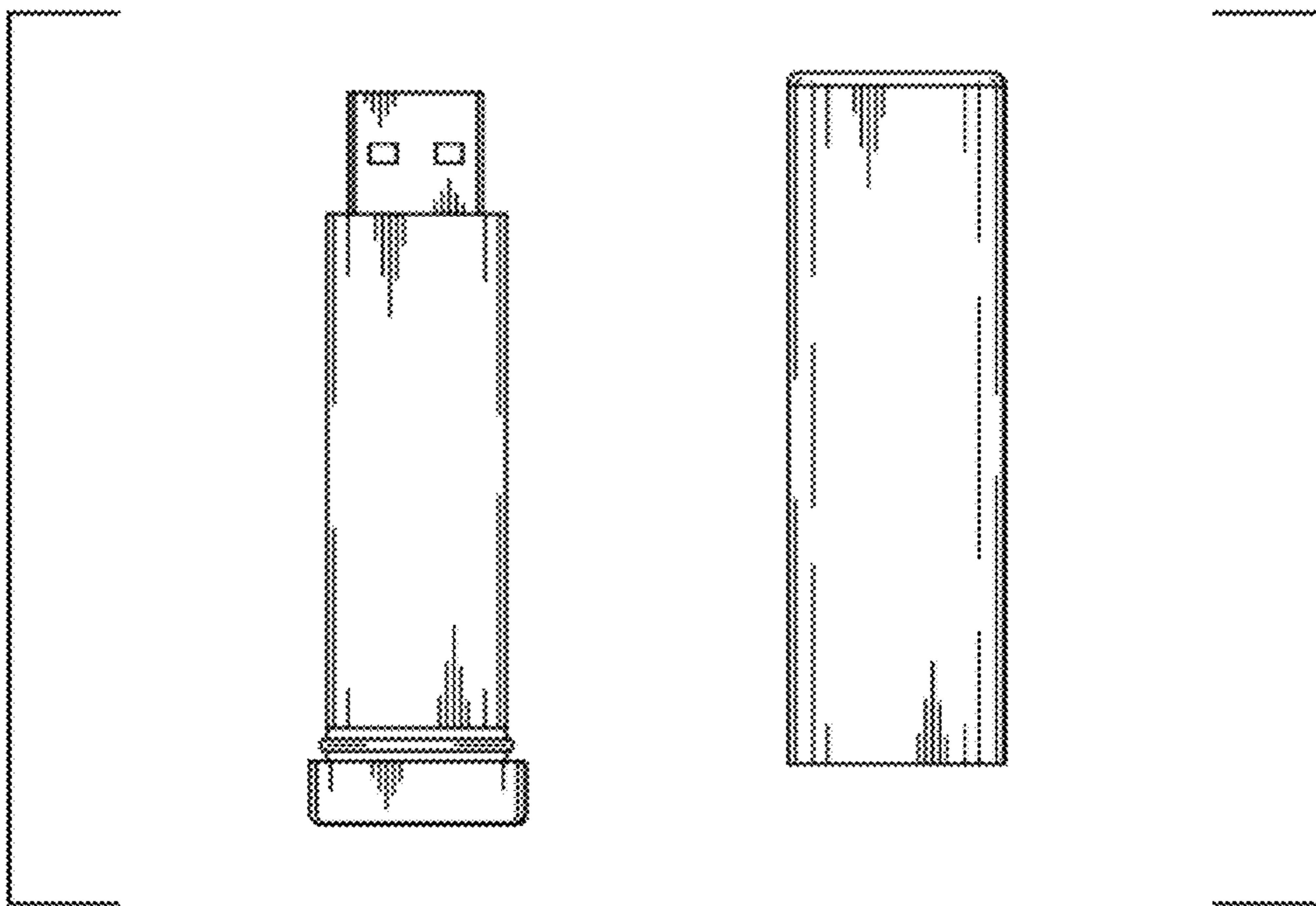


FIG. 7

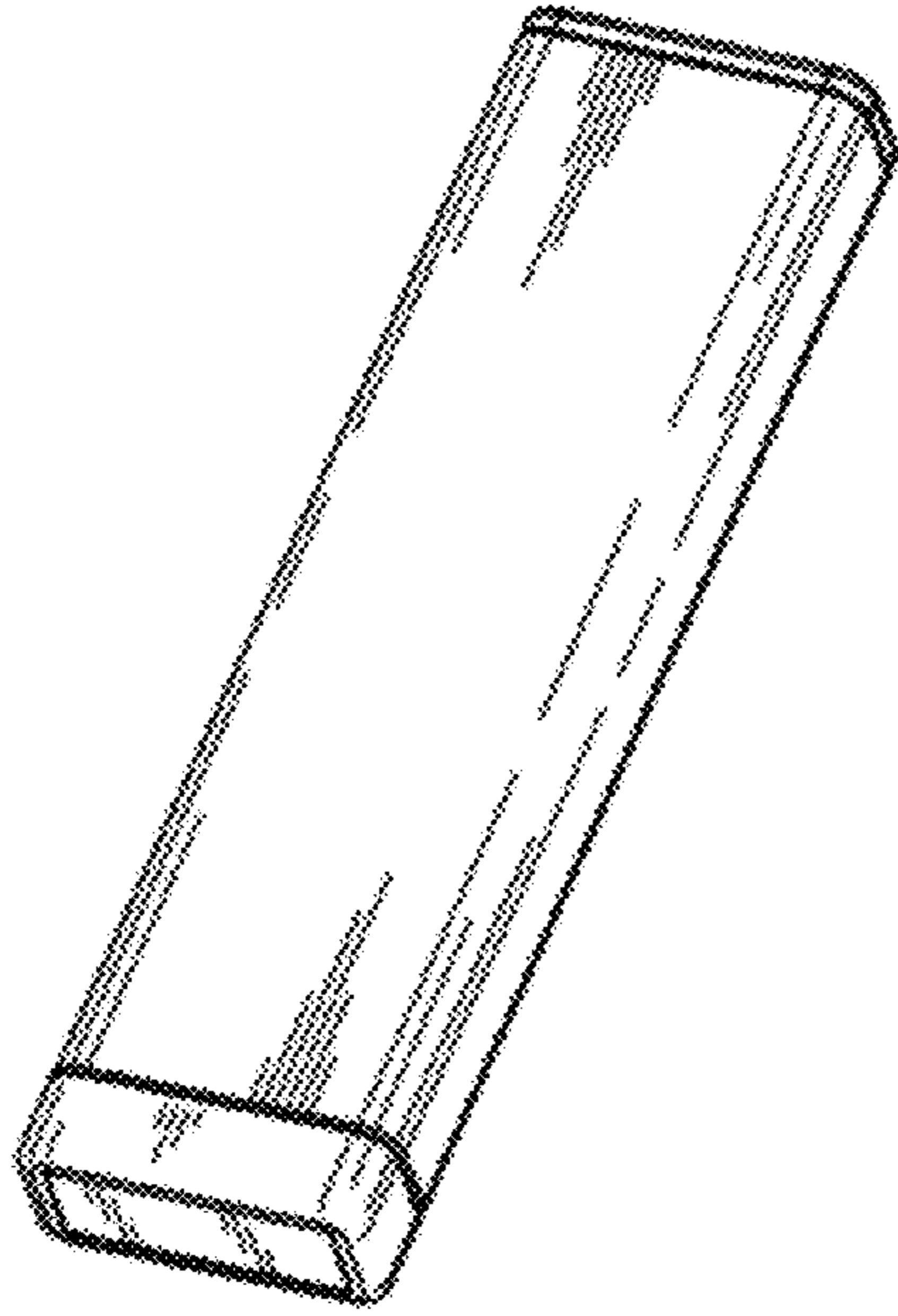


FIG. 8



FIG. 9

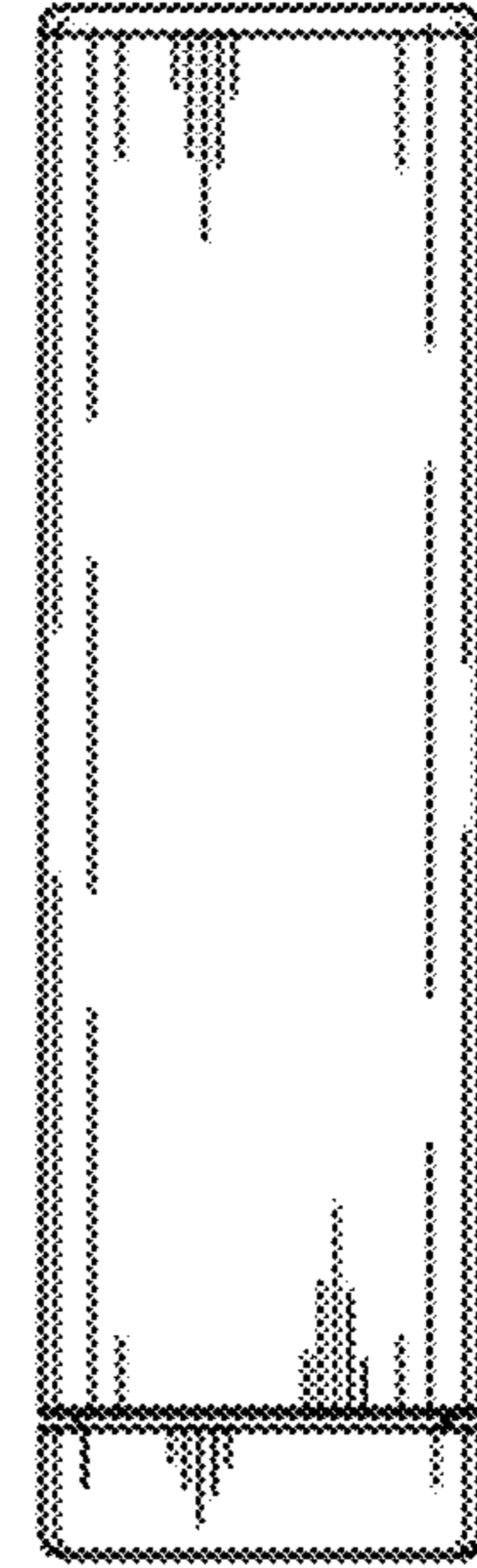


FIG. 10



FIG. 11



FIG. 12