



US00D670703S

(12) **United States Design Patent**
Hasbrook et al.

(10) **Patent No.:** **US D670,703 S**

(45) **Date of Patent:** **** Nov. 13, 2012**

(54) **TABLET COMPUTER STAND**

Primary Examiner — Angela J Lee

(75) Inventors: **William Benjamin Hasbrook**, Tualatin, OR (US); **Sean Michael Stuck**, Portland, OR (US); **Souheil Gallouzi**, San Diego, CA (US)

(73) Assignee: **mophie, Inc.**, Santa Ana, CA (US)

(**) Term: **14 Years**

(21) Appl. No.: **29/382,260**

(22) Filed: **Dec. 30, 2010**

(51) **LOC (9) Cl.** **08-07**

(52) **U.S. Cl.** **D14/447**

(58) **Field of Classification Search** D14/447, D14/448, 451, 452, 432, 434, 439, 440, 457, D14/460, 461, 239, 250, 251, 253, 217, 238.1; D3/218; D6/310, 312, 311, 406.3, 406.4, D6/406.5, 406.6, 419; 248/917–924, 688, 248/441.1, 451, 454, 460, 463, 136, 149, 248/150, 164, 166, 176.2, 176.3, 176.1, 346.03, 248/346.3; 361/679.02, 679.09, 679.21, 361/679.22, 379.26, 679.27, 679.28, 679.29, 361/679.3, 679.46, 679.47, 679.48, 679.55, 361/679.56, 679.57, 679.58, 679.59, 679.6; 150/165; 224/929, 930; D21/333; D13/108

See application file for complete search history.

(56) **References Cited**

U.S. PATENT DOCUMENTS

D585,897	S	*	2/2009	Carnevali	D14/434
D592,188	S	*	5/2009	Huang	D14/217
D602,913	S	*	10/2009	Han et al.	D14/217
D620,931	S	*	8/2010	Opman	D14/250
D623,638	S	*	9/2010	Richardson et al.	D14/250
D623,639	S	*	9/2010	Richardson et al.	D14/250
D626,964	S	*	11/2010	Richardson et al.	D14/447
D638,414	S	*	5/2011	Magness et al.	D14/250
D639,286	S	*	6/2011	Mohoney	D14/250
D639,816	S	*	6/2011	Bau	D14/447
D640,707	S	*	6/2011	Yeh	D14/447
D643,423	S	*	8/2011	Smith et al.	D14/250
D643,433	S	*	8/2011	Hsieh et al.	D14/440

* cited by examiner

(57) **CLAIM**

The ornamental design for a tablet computer stand, as shown and described.

DESCRIPTION

FIG. 1 is a three-quarter perspective view of a tablet computer, a tablet computer case, and the tablet computer stand; FIG. 2 is a three-quarter perspective view of a tablet computer encased in the tablet computer case, and mounted on the tablet computer stand in a portrait-mode orientation; FIG. 3 is a three-quarter perspective view of a tablet computer mounted on the tablet computer stand in a portrait-mode orientation; FIG. 4 is a three-quarter perspective view of the tablet computer stand in a portrait-mode orientation; FIG. 5 is a top view of the tablet computer stand in a portrait-mode orientation; FIG. 6 is a front view of a tablet computer encased in the tablet computer case, and mounted on the tablet computer stand in a portrait-mode orientation; FIG. 7 is a front view of a tablet computer mounted on the tablet computer stand in a portrait-mode orientation; FIG. 8 is a front view of the tablet computer stand in a portrait-mode orientation; FIG. 9 is a left-side view of a tablet computer encased in the tablet computer case, and mounted on the tablet computer stand in a portrait-mode orientation; FIG. 10 is a left-side view of a tablet computer mounted on the tablet computer stand in a portrait-mode orientation; FIG. 11 is a left-side of the tablet computer stand in a portrait-mode orientation; FIG. 12 is a right-side view of a tablet computer encased in the tablet computer case, and mounted on the tablet computer stand in a portrait-mode orientation; FIG. 13 is a right-side view of a tablet computer mounted on the tablet computer stand in a portrait-mode orientation; FIG. 14 is a right-side of the tablet computer stand in a portrait-mode orientation;

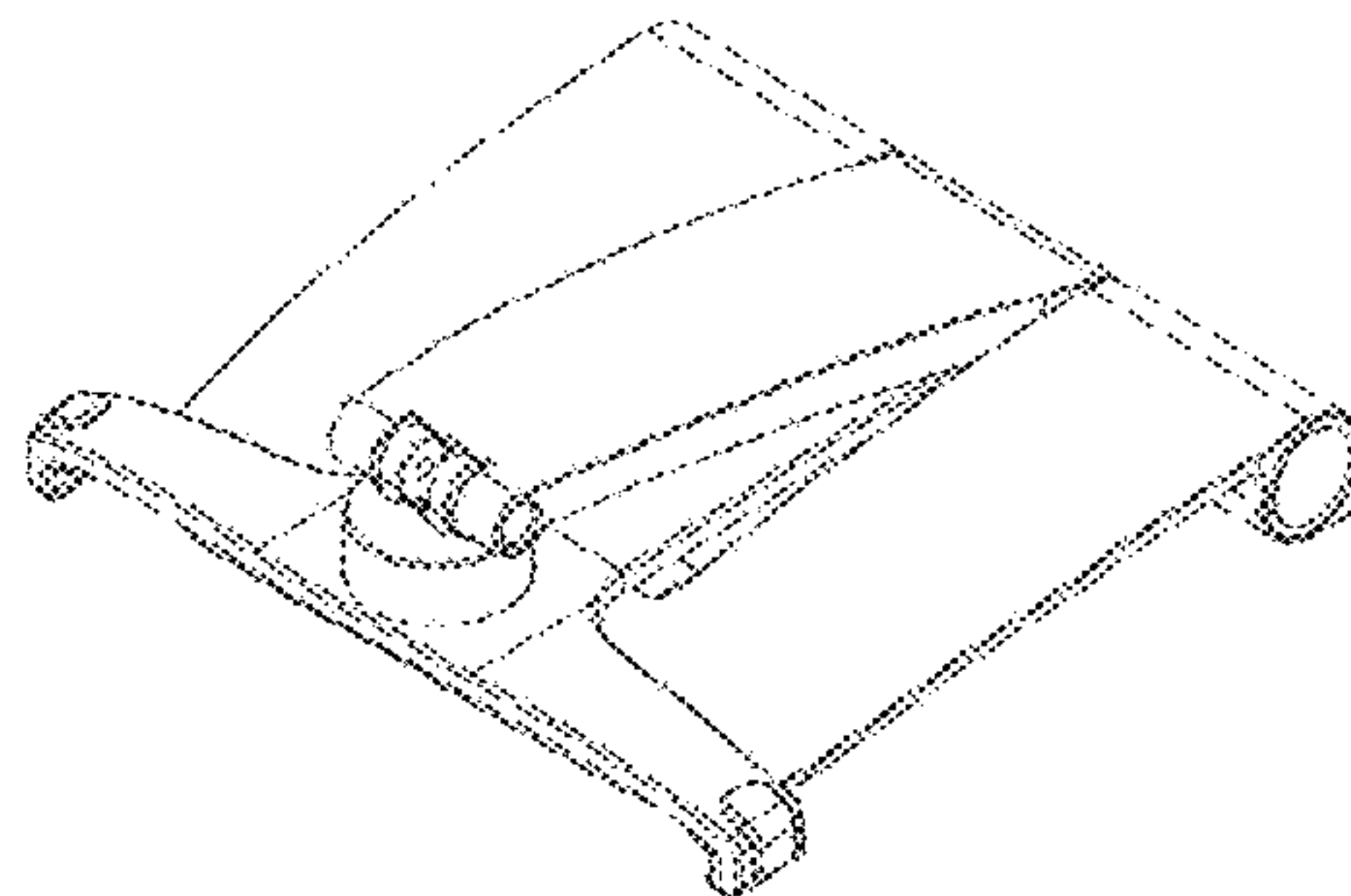
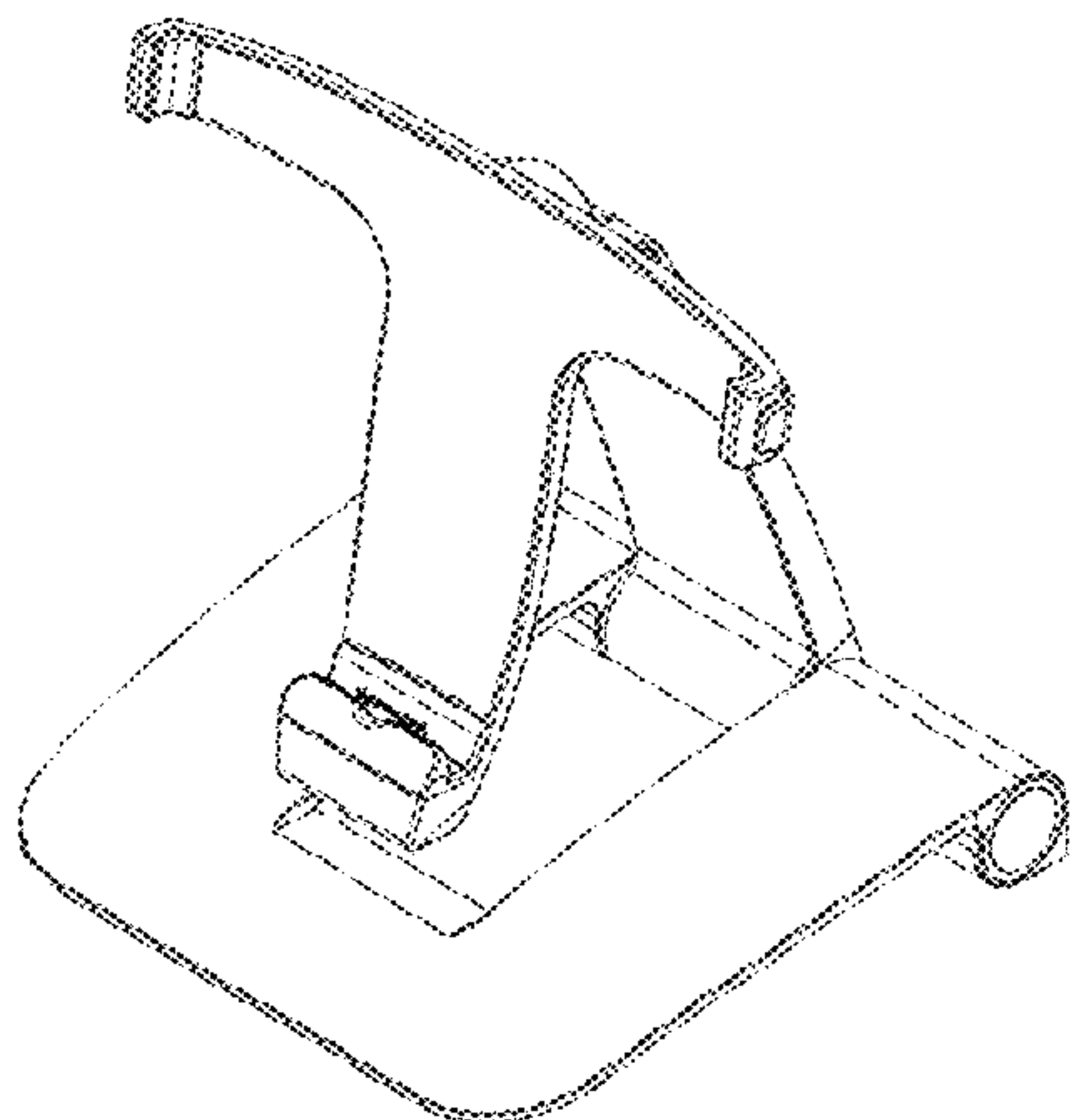


FIG. 15 is a top view of a tablet computer encased in the tablet computer case, and mounted on the tablet computer stand in a portrait-mode orientation;

FIG. 16 is a top view of a tablet computer mounted on the tablet computer stand in a portrait-mode orientation;

FIG. 17 is a three-quarter perspective view of a tablet computer encased in the tablet computer case, and mounted on the tablet computer stand in a landscape-mode orientation;

FIG. 18 is a three-quarter perspective view of a tablet computer mounted on the tablet computer stand in a landscape-mode orientation;

FIG. 19 is a three-quarter perspective view of the tablet computer stand in a landscape-mode orientation;

FIG. 20 is a front view of a tablet computer encased in the tablet computer case, and mounted on the tablet computer stand in a landscape-mode orientation;

FIG. 21 is a front view of a tablet computer mounted on the tablet computer stand in a landscape-mode orientation;

FIG. 22 is a front view of the tablet computer stand in a landscape-mode orientation;

FIG. 23 is a left-side view of a tablet computer encased in the tablet computer case, and mounted on the tablet computer stand in a landscape-mode orientation;

FIG. 24 is a left-side view of a tablet computer mounted on the tablet computer stand in a landscape-mode orientation;

FIG. 25 is a left-side of the tablet computer stand in a landscape-mode orientation;

FIG. 26 is a right-side view of a tablet computer encased in the tablet computer case, and mounted on the tablet computer stand in a landscape-mode orientation;

FIG. 27 is a right-side view of a tablet computer mounted on the tablet computer stand in a landscape-mode orientation;

FIG. 28 is a right-side of the tablet computer stand in a landscape-mode FIG. 2 is a perspective view of a mobile phone enclosed within the two halves of the tablet computer stand;

FIG. 29 is a top view of a tablet computer encased in the tablet computer case, and mounted on the tablet computer stand in a landscape-mode orientation;

FIG. 30 is a top view of a tablet computer mounted on the tablet computer stand in a landscape-mode orientation;

FIG. 31 is a top view of the tablet computer stand in a landscape-mode orientation;

FIG. 32 is a three-quarter view of the tablet computer stand in a folded position;

FIG. 33 is a top view of the tablet computer stand in a folded position;

FIG. 34 is a front view of the tablet computer stand in a folded position;

FIG. 35 is a left-side view of the tablet computer stand in a folded position; and,

FIG. 36 is a right-side view of the tablet computer stand in a folded position.

The broken line showing of a tablet computer and tablet computer case are included for the purpose of illustrating environment, and forms no part of the claimed design.

1 Claim, 36 Drawing Sheets

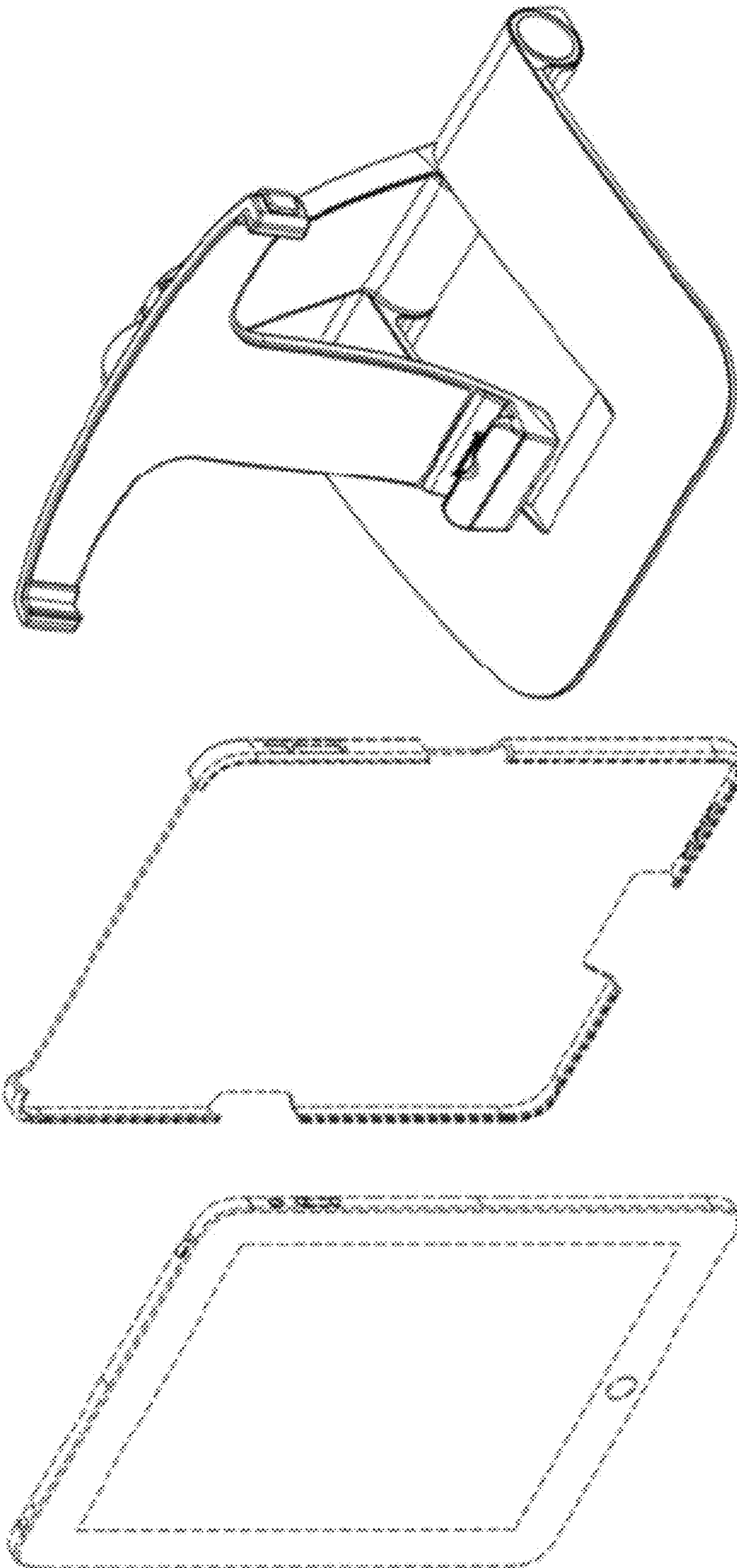


FIG. 1

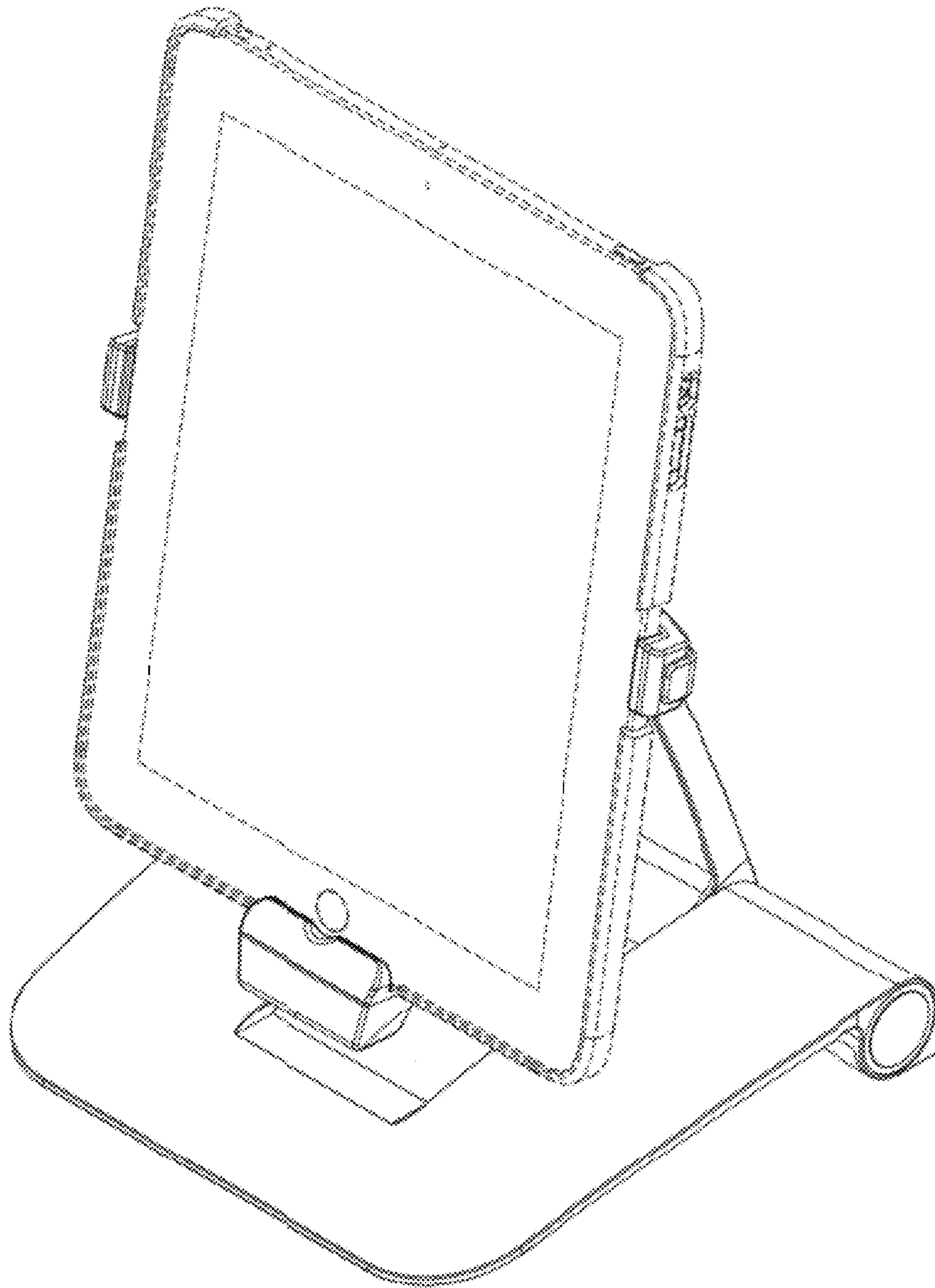


FIG. 2

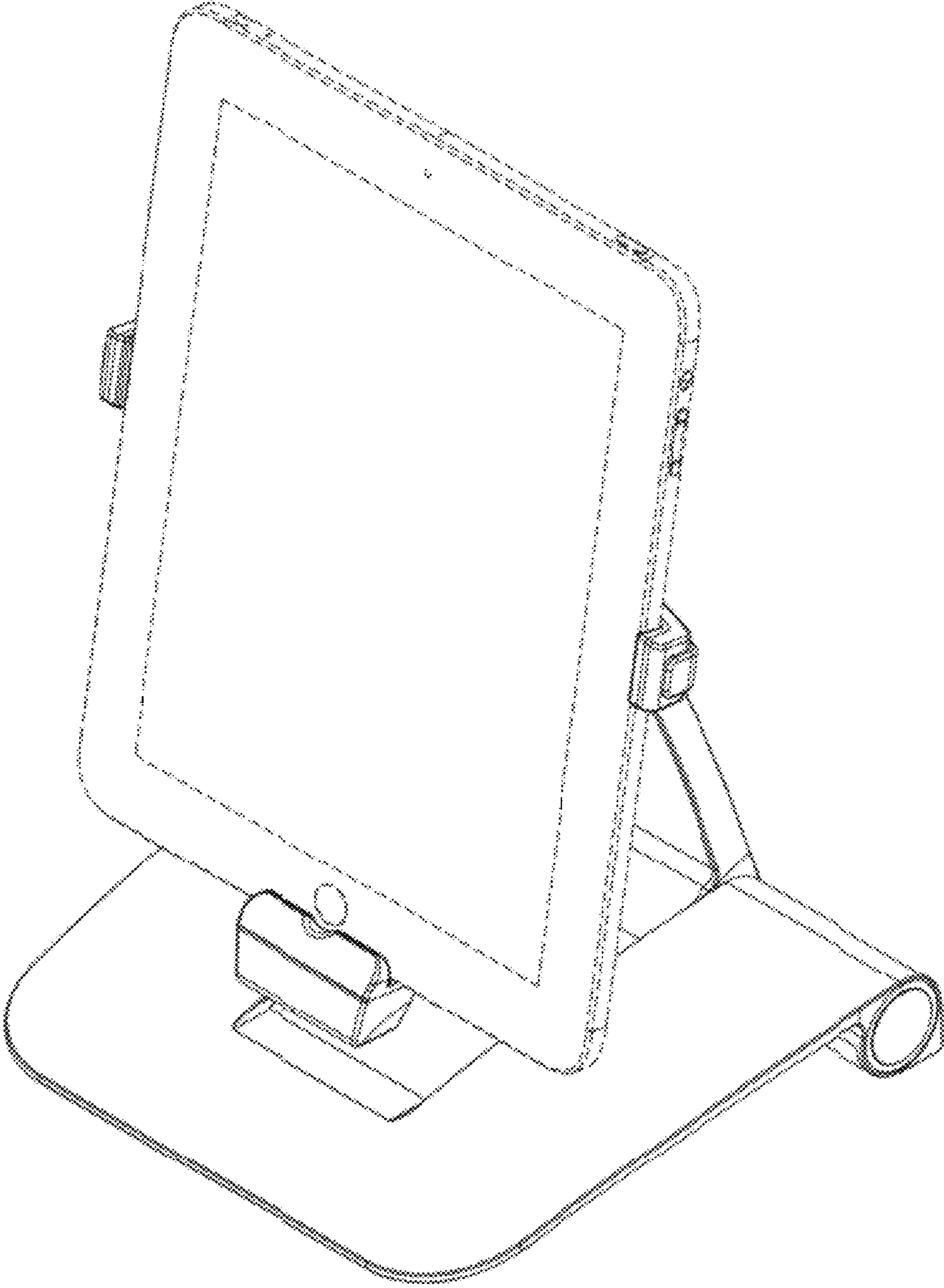


FIG. 3

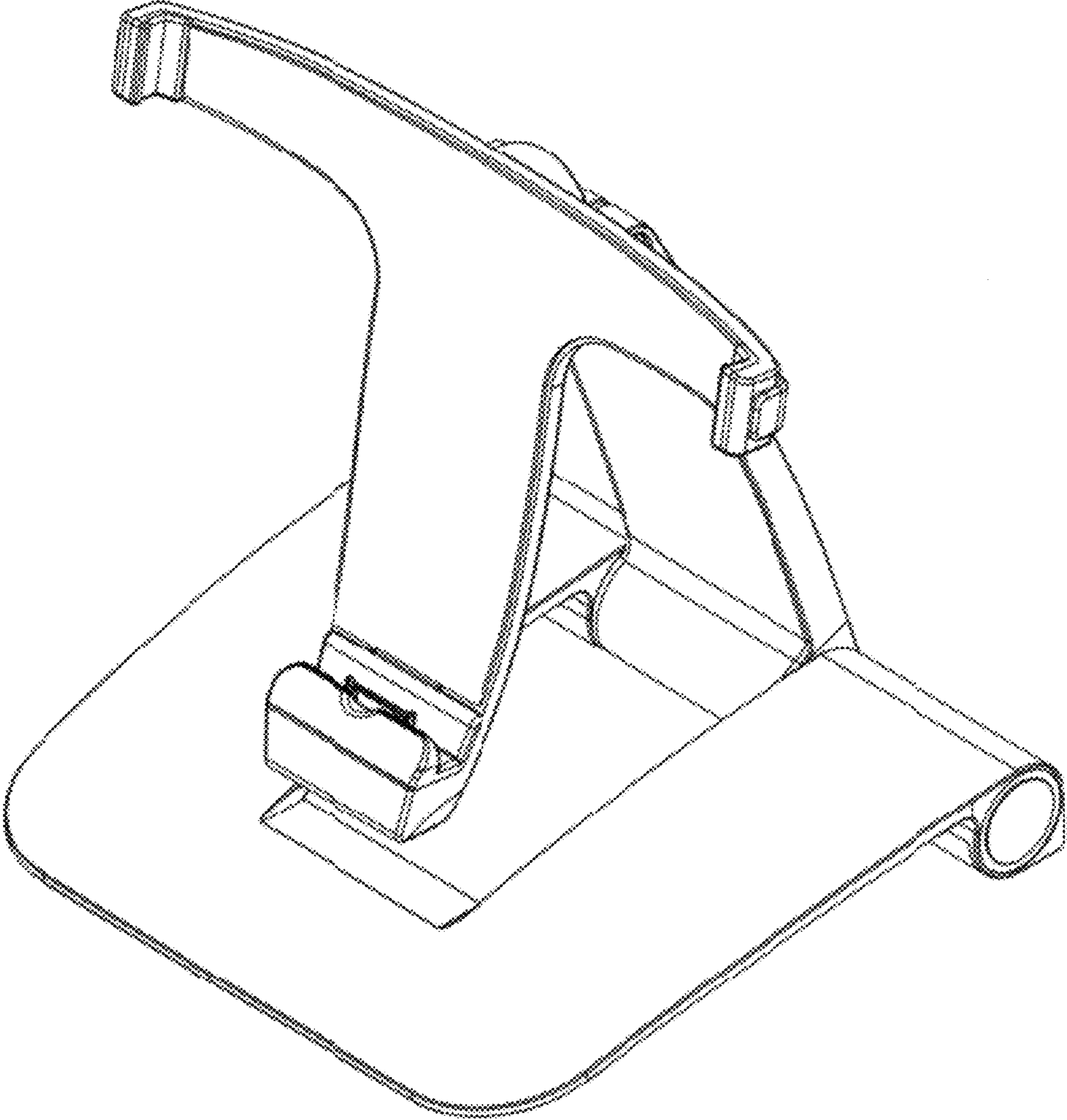


FIG. 4

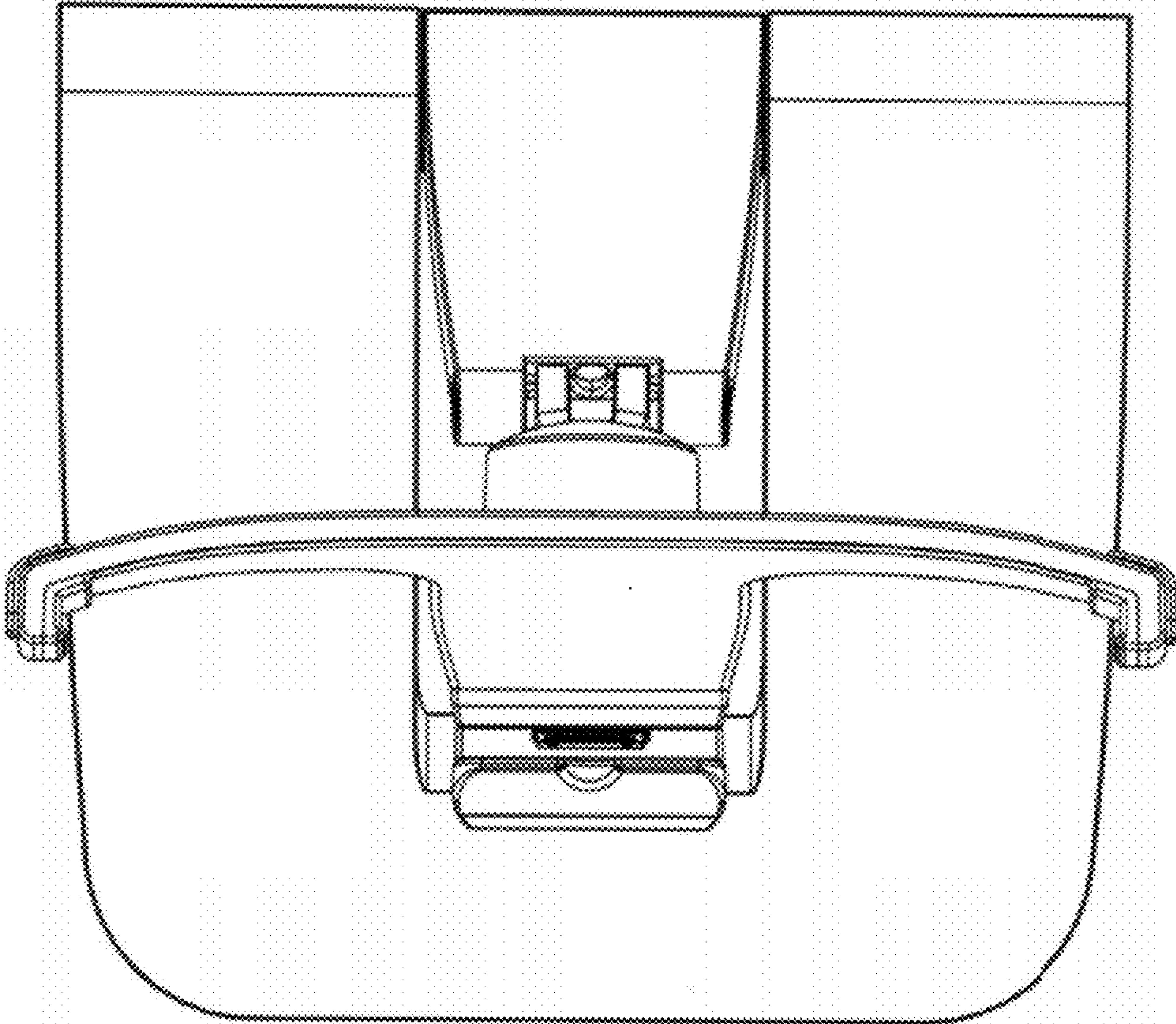


FIG. 5

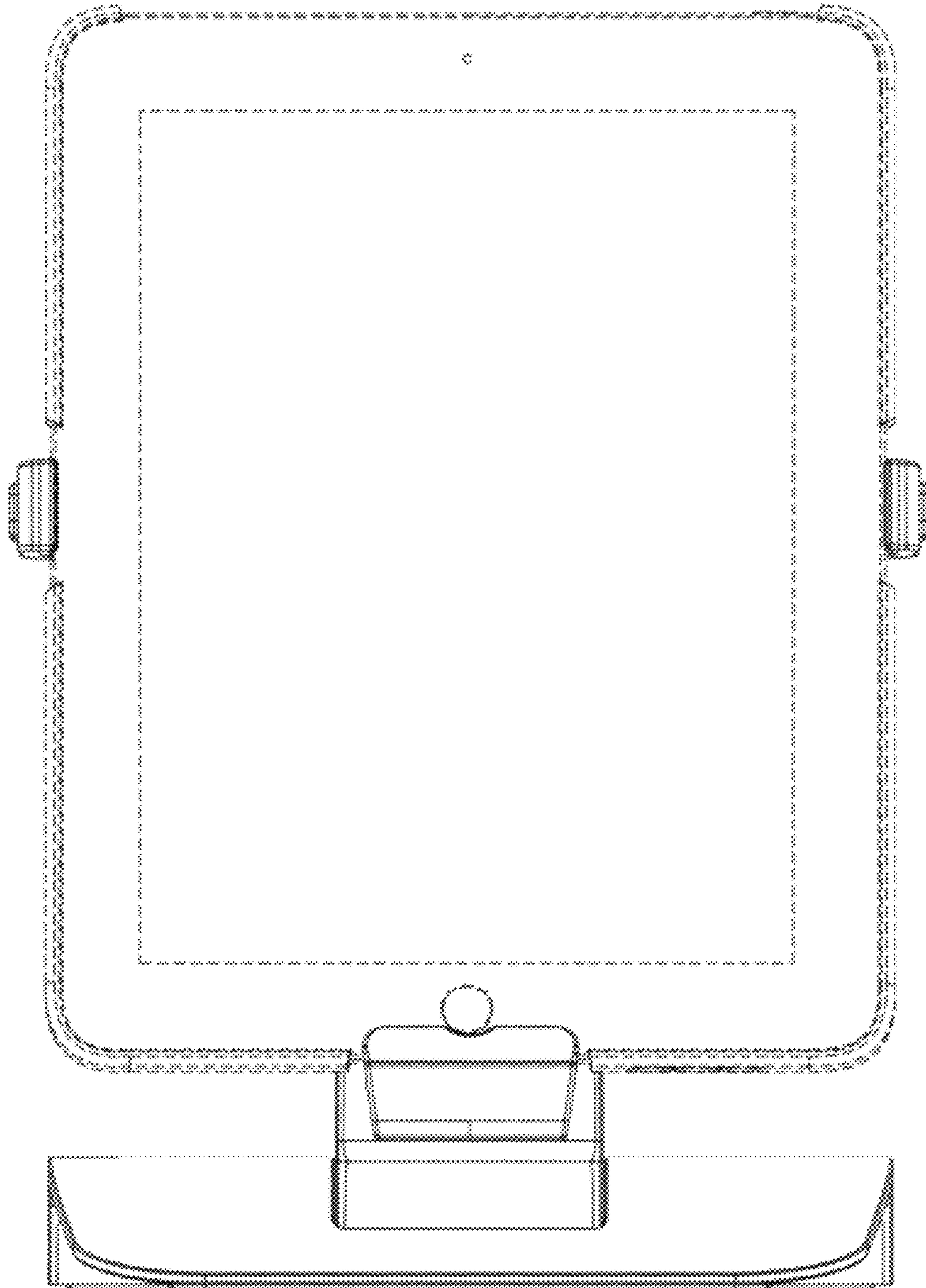


FIG. 6

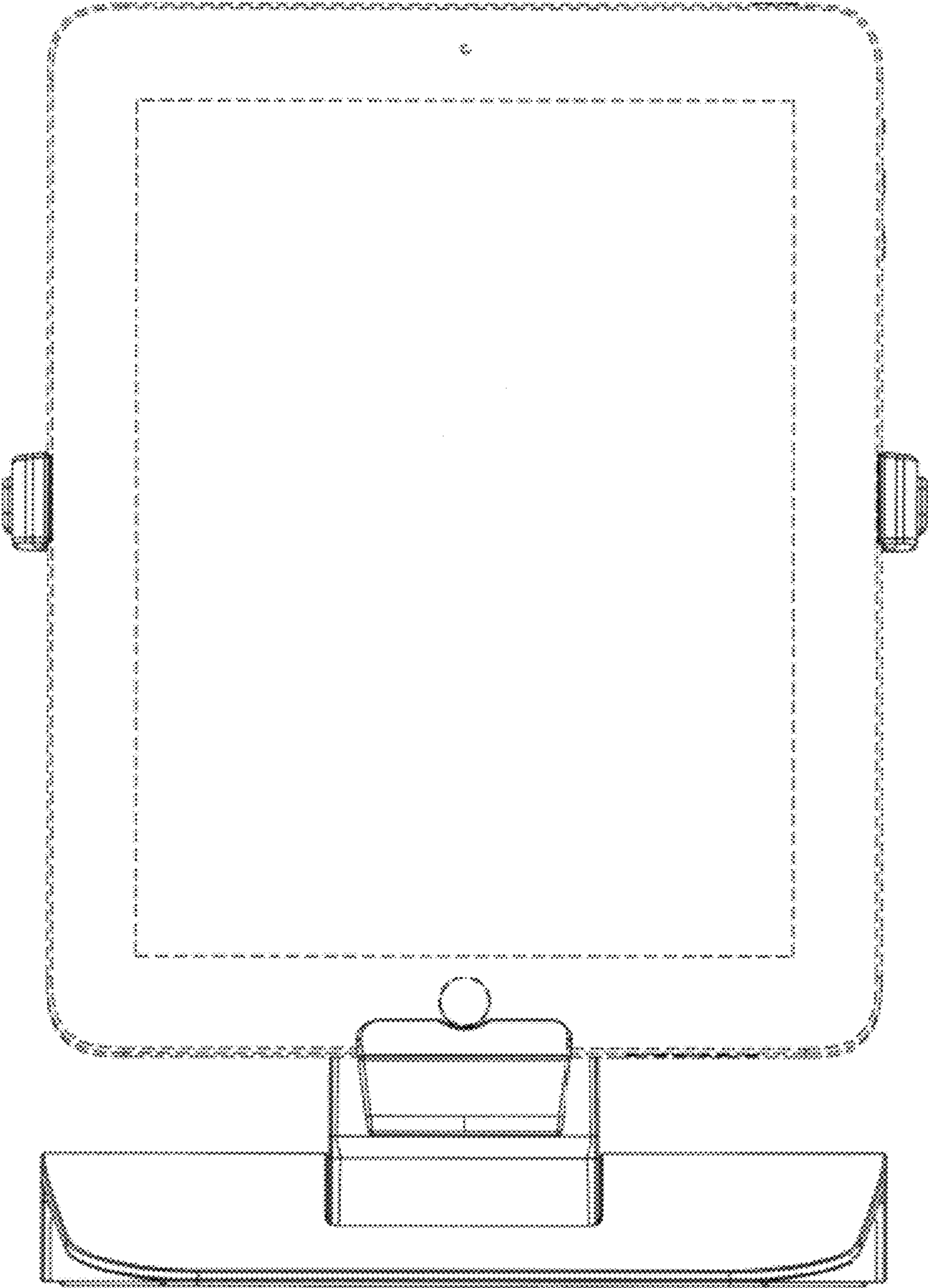


FIG. 7

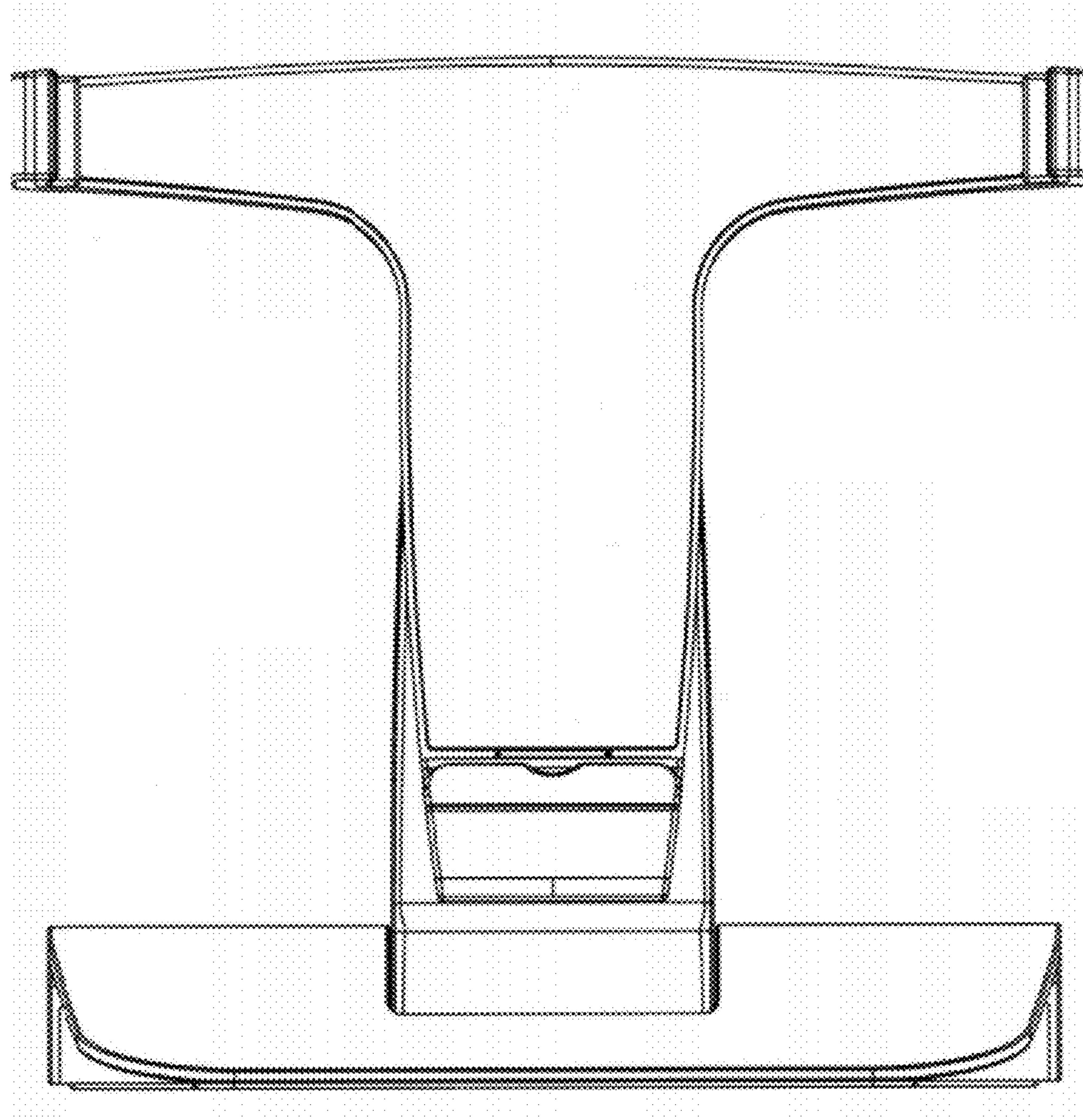


FIG. 8

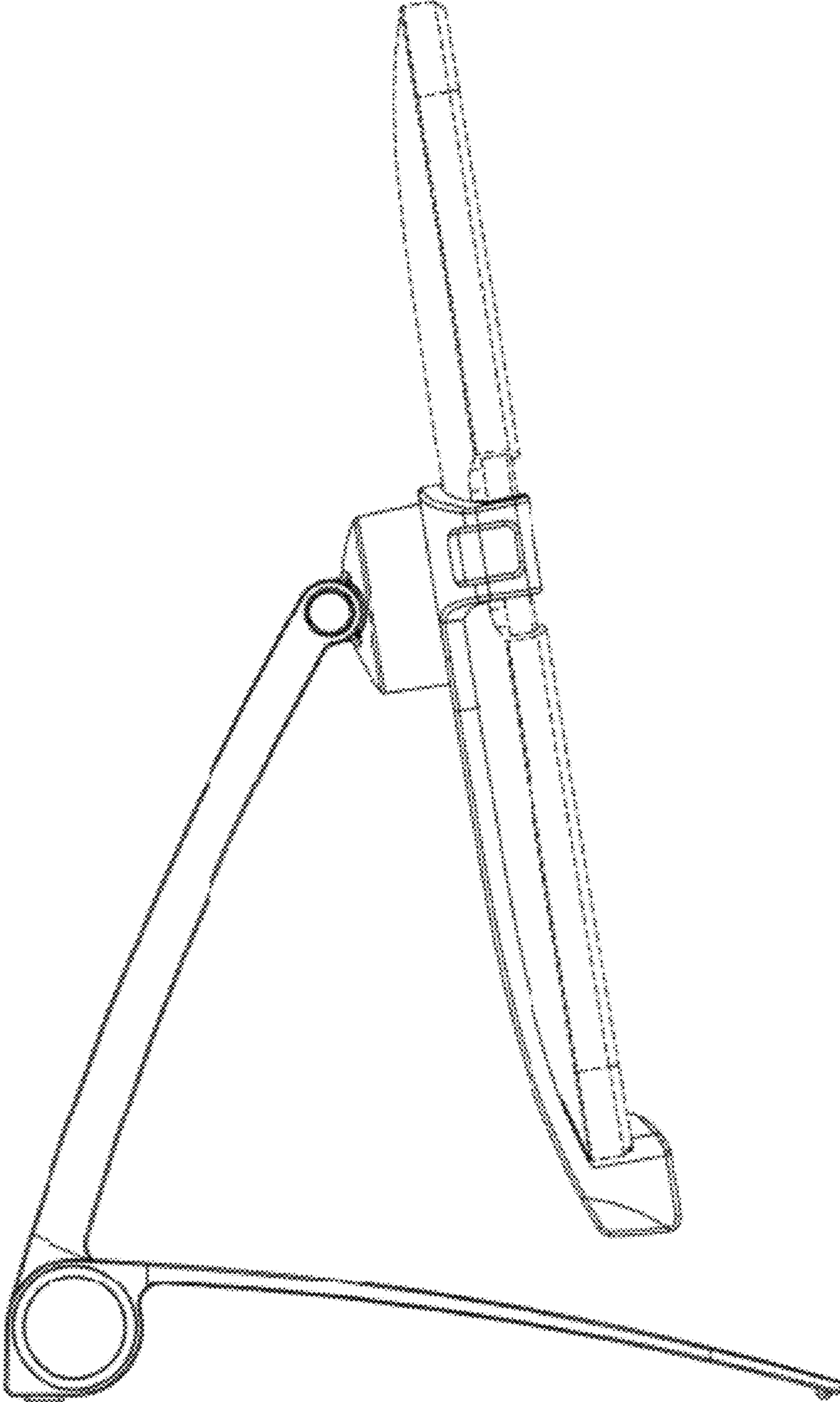


FIG. 9

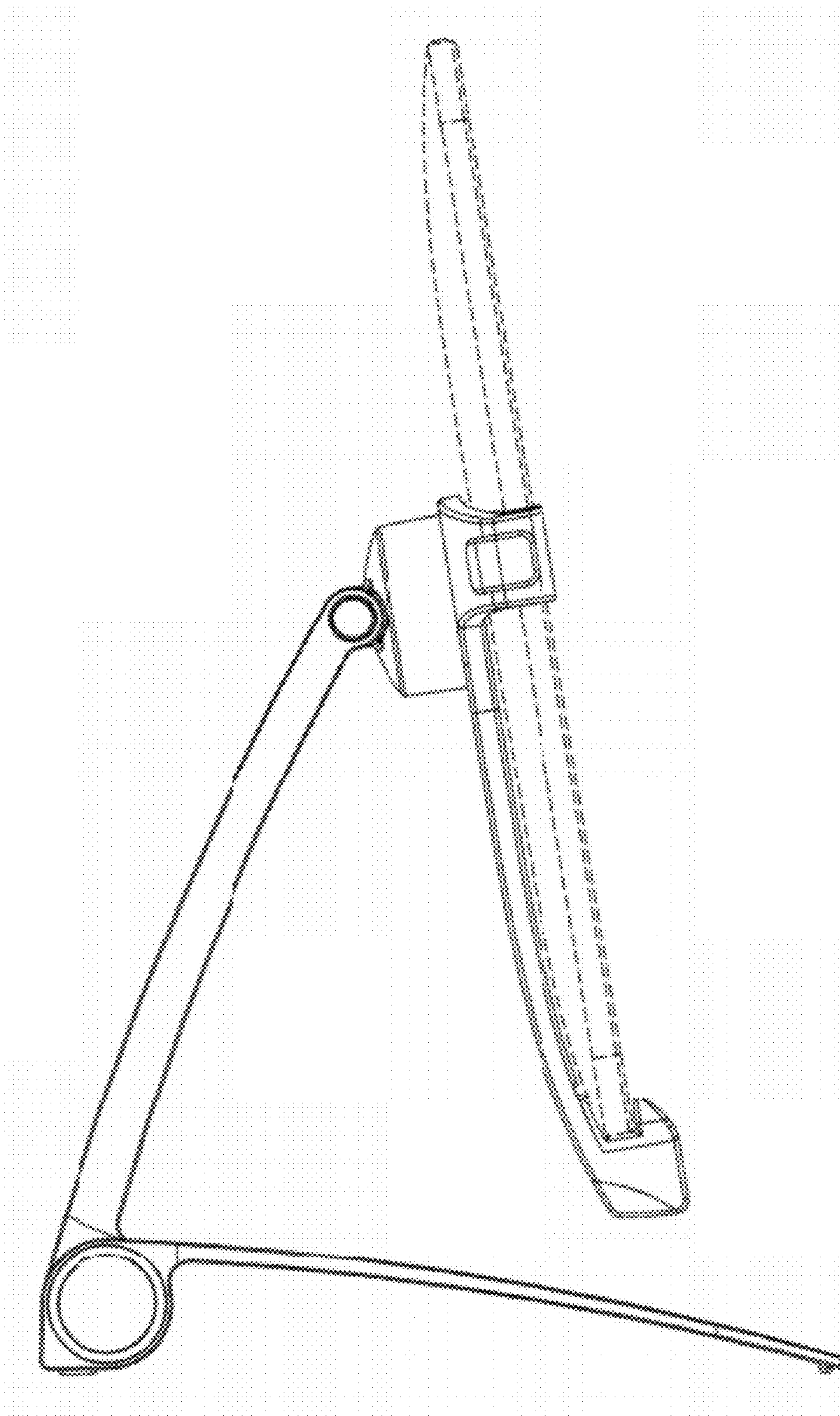


FIG. 10

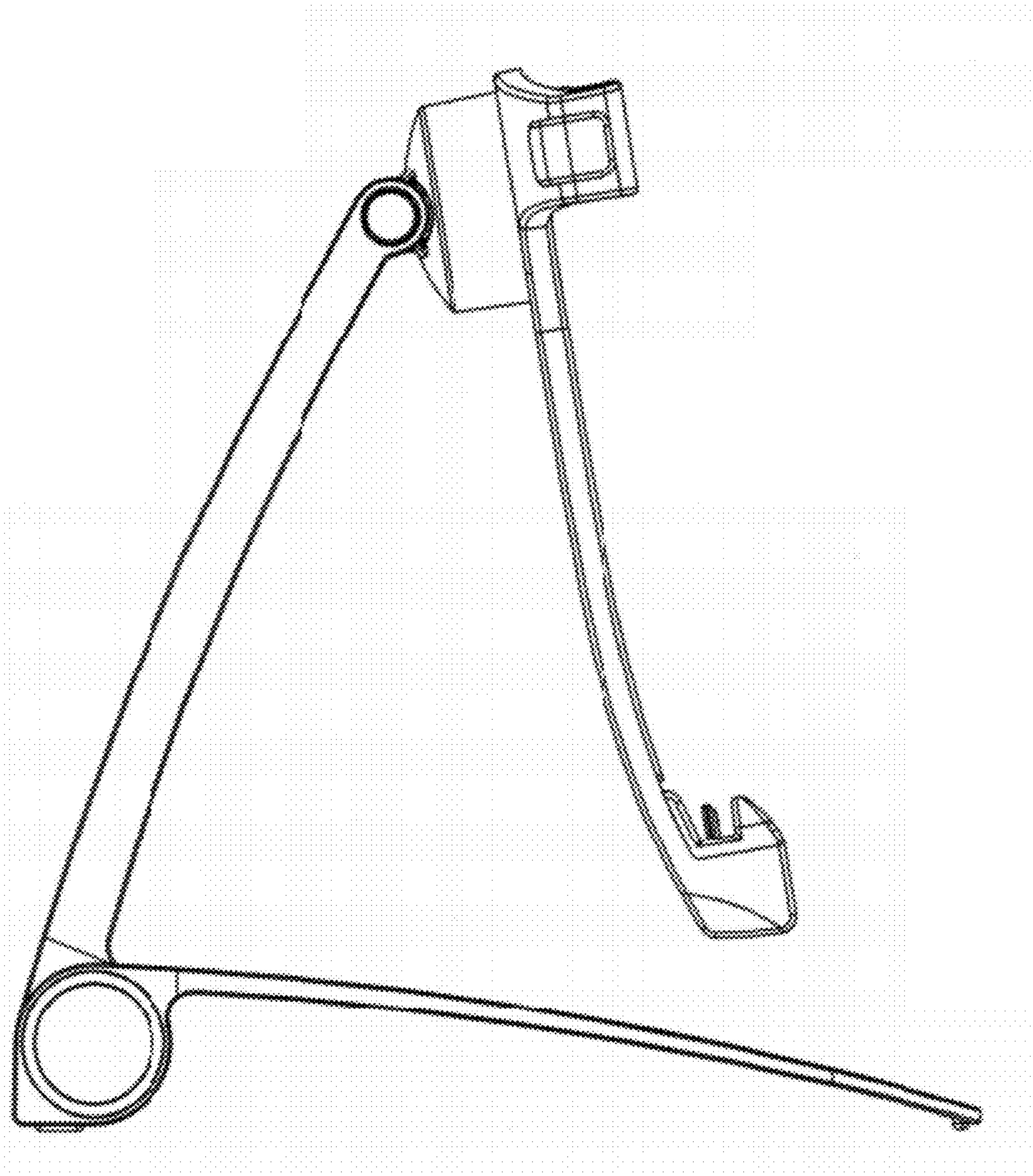


FIG. 11

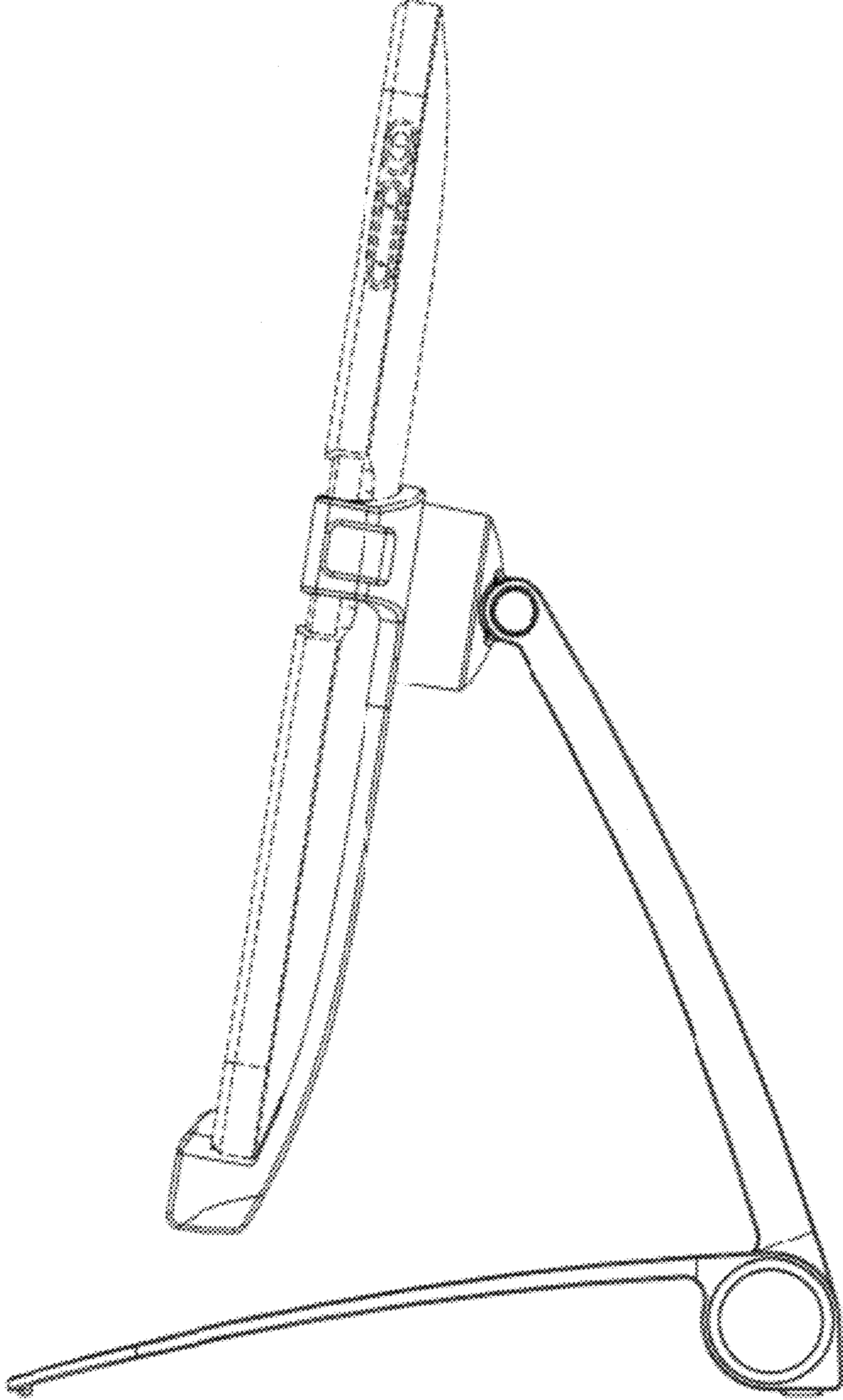


FIG. 12

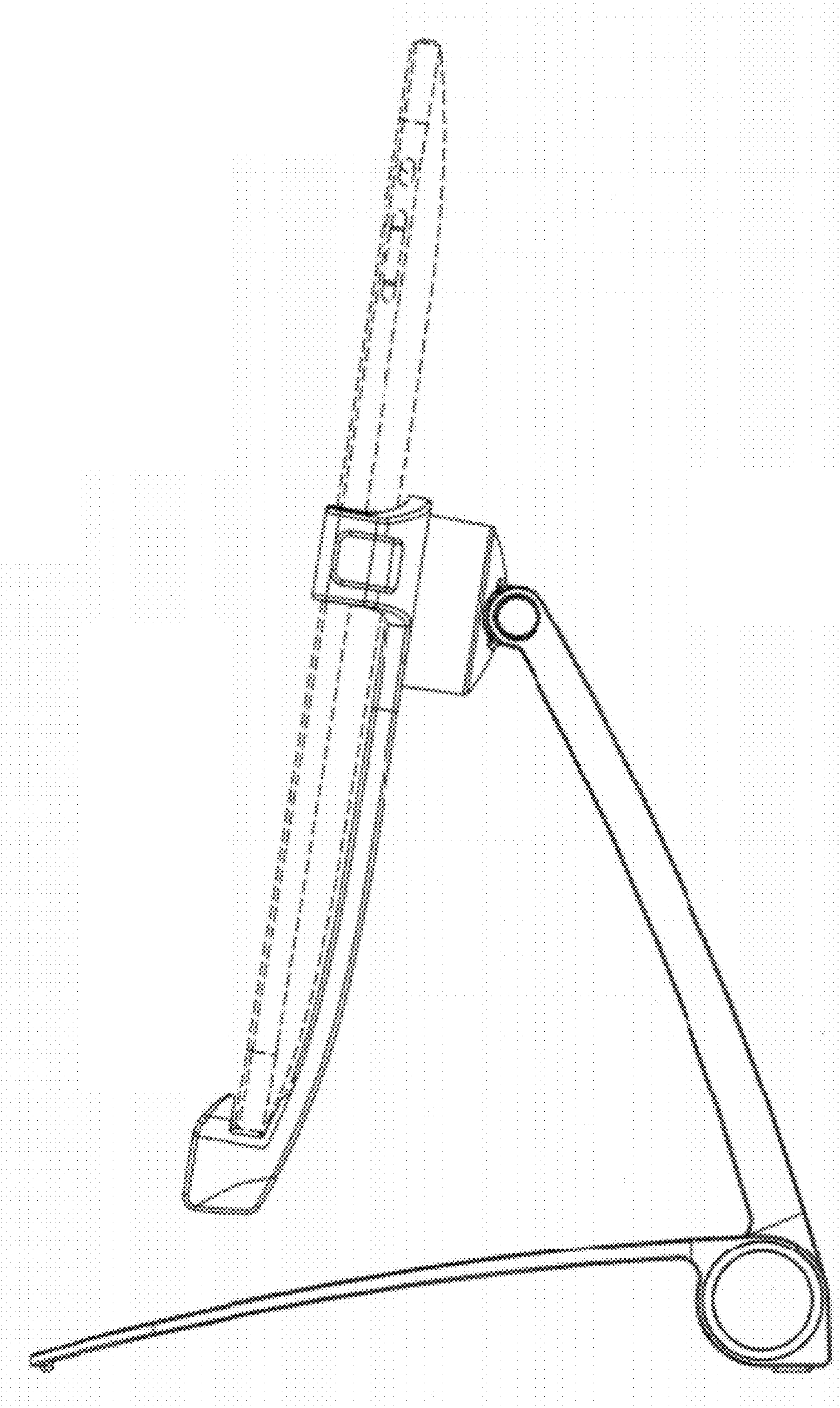


FIG. 13

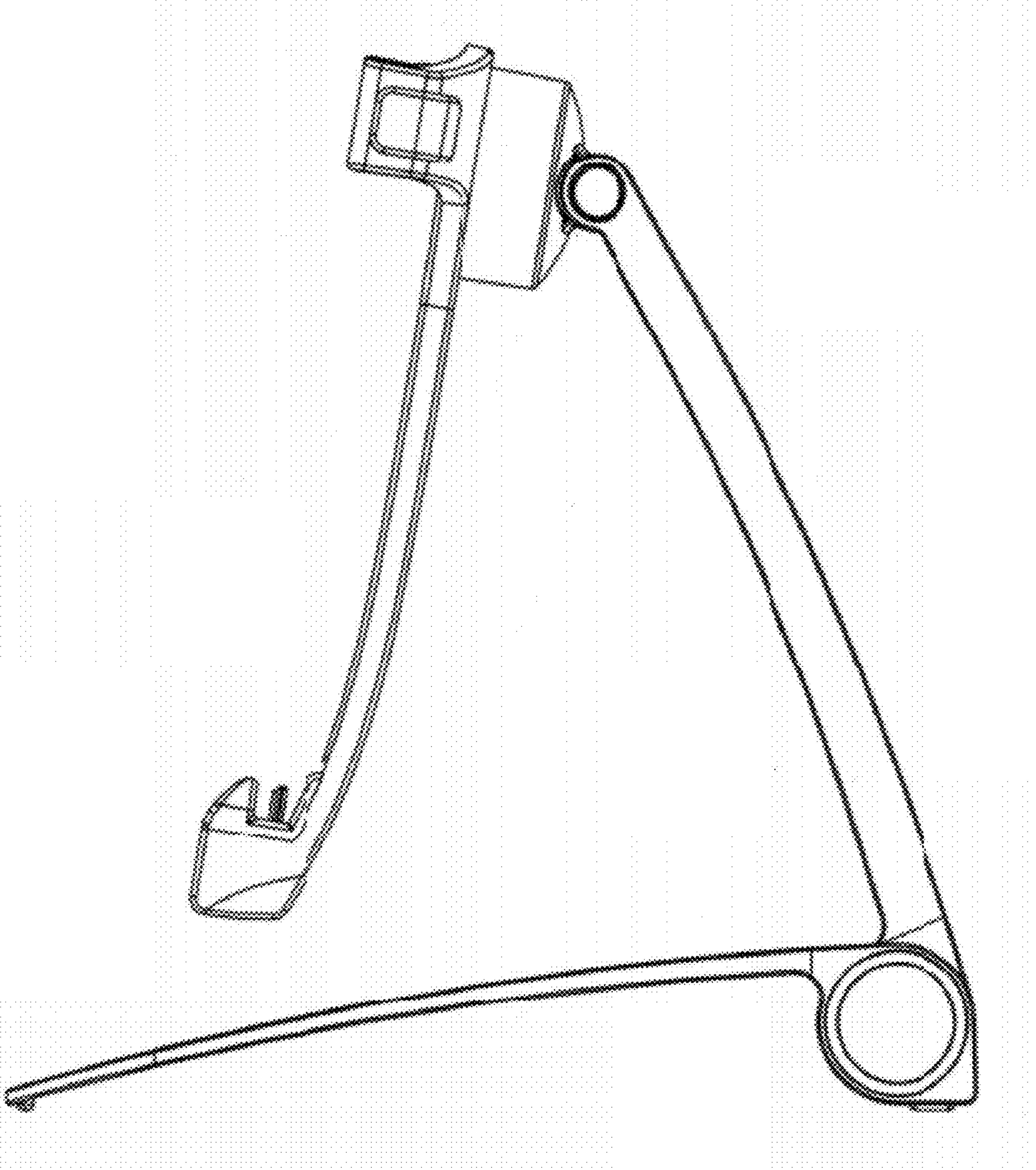


FIG. 14

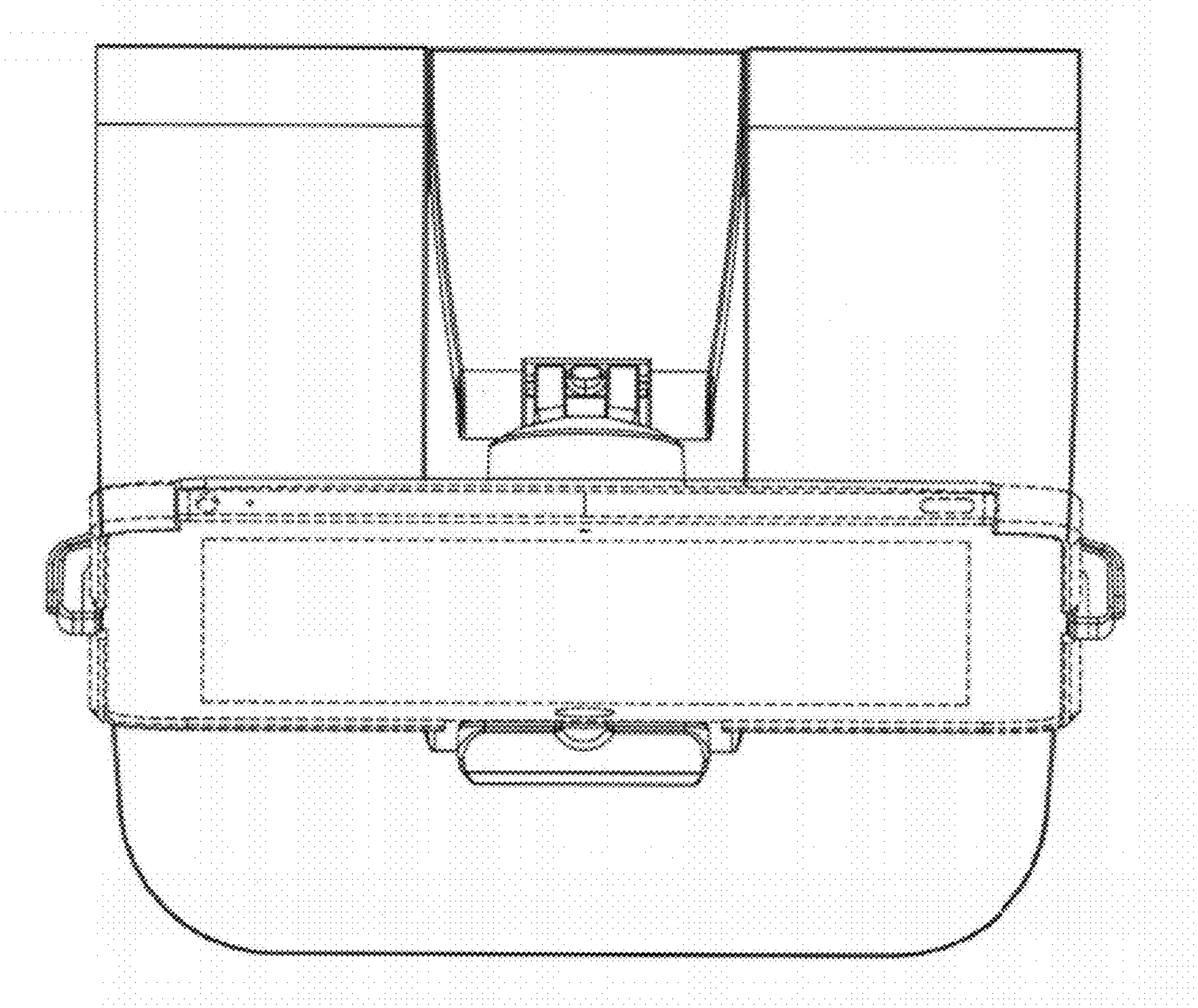


FIG. 15

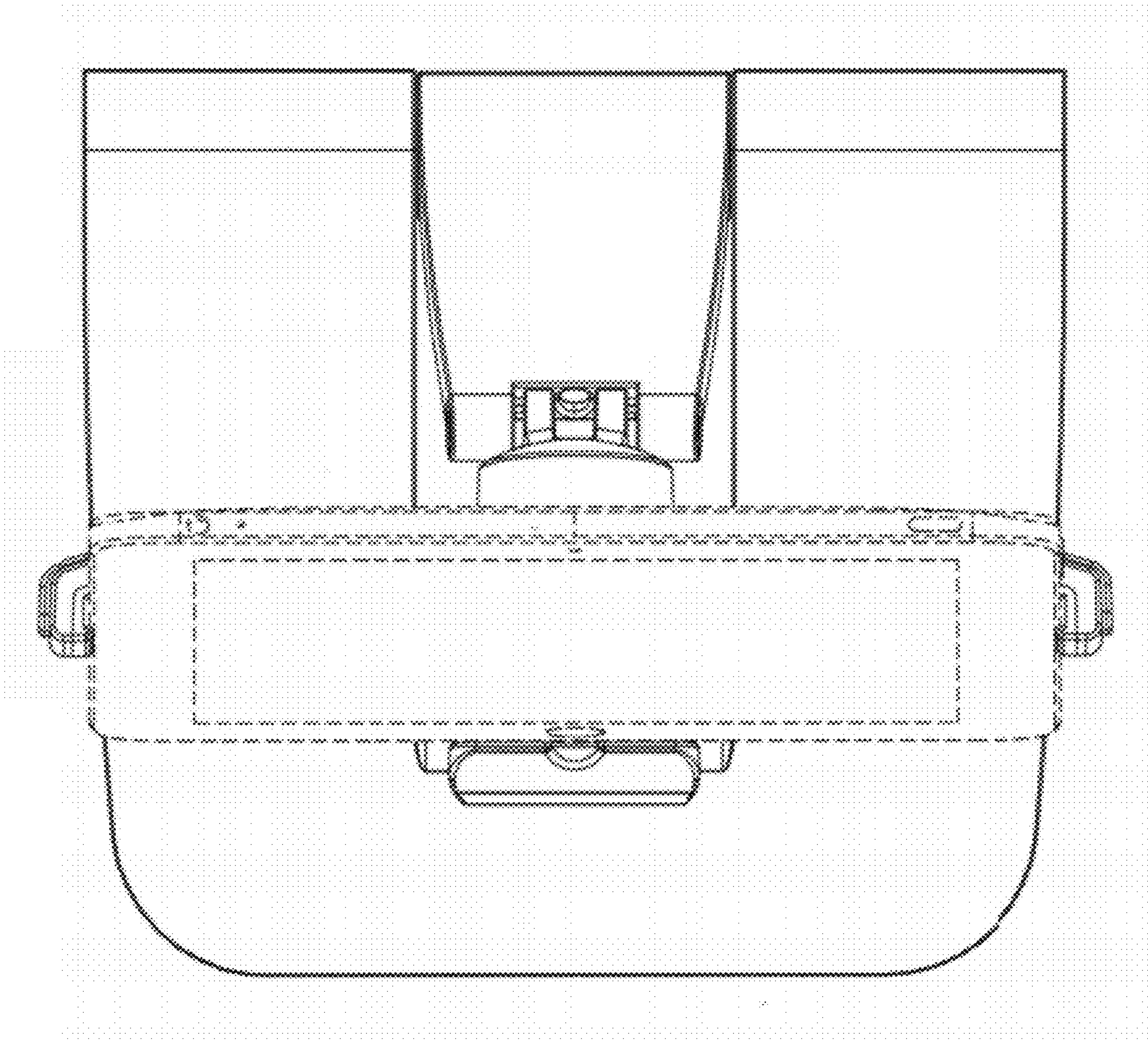


FIG. 16

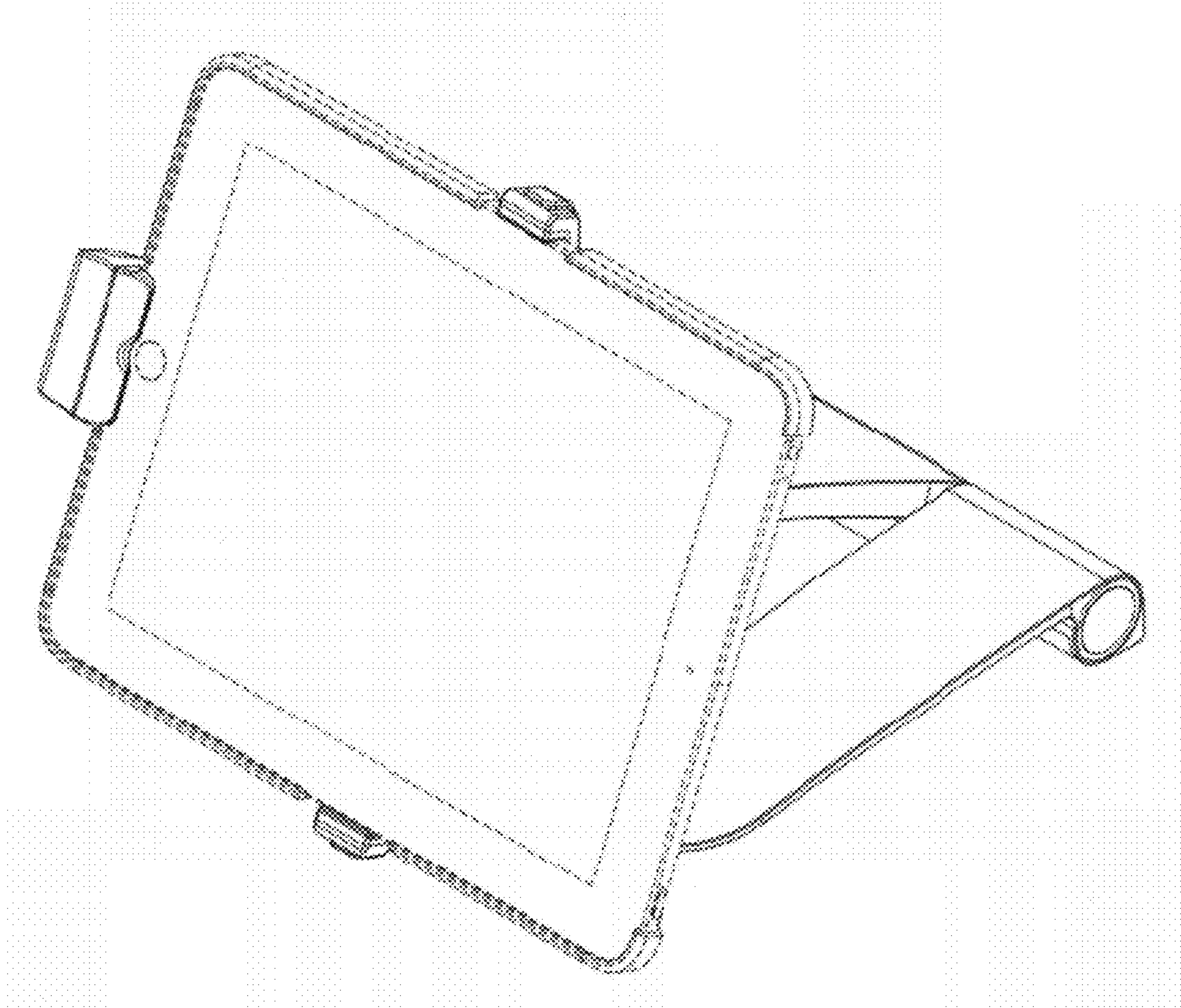


FIG. 17

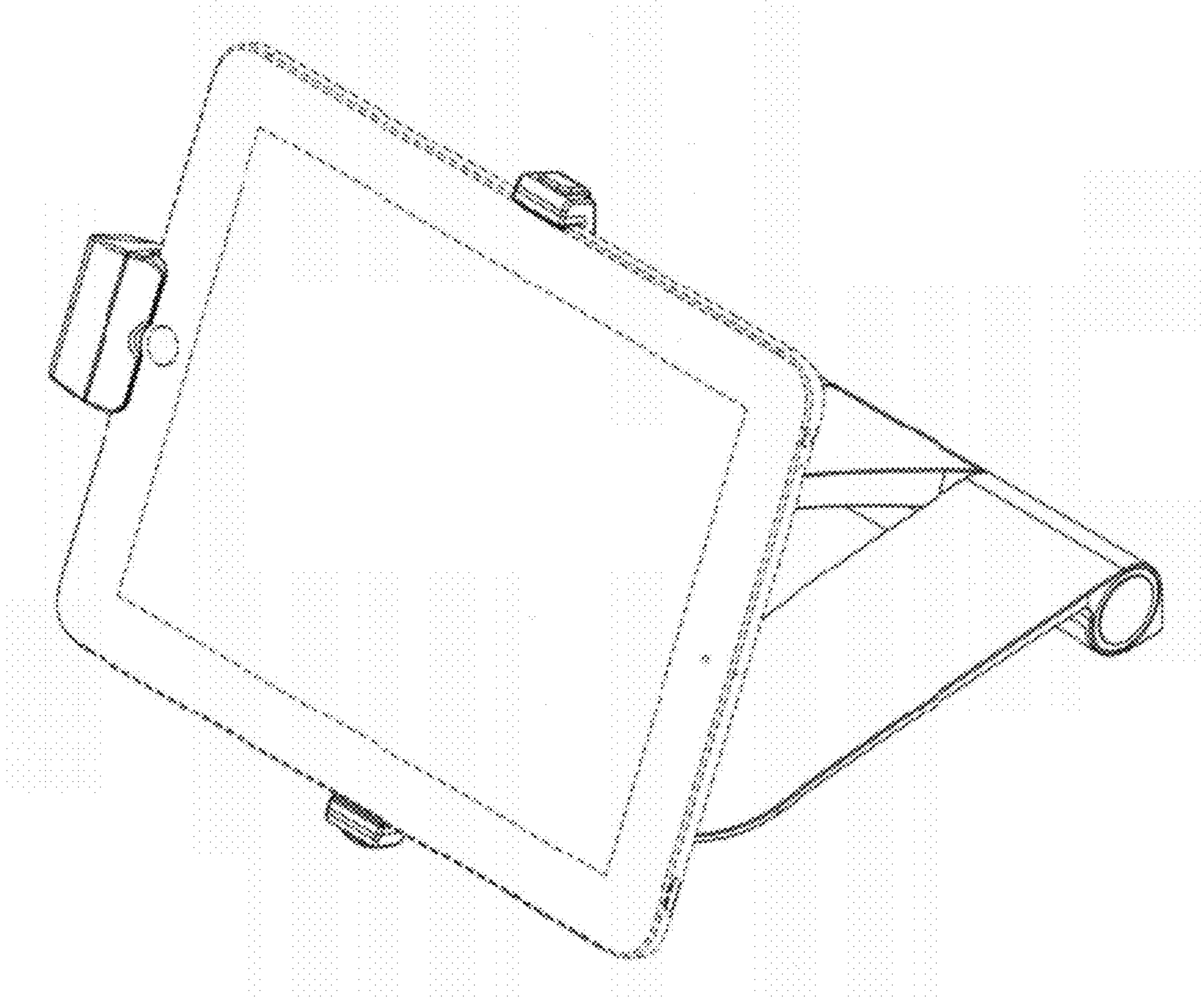


FIG. 18

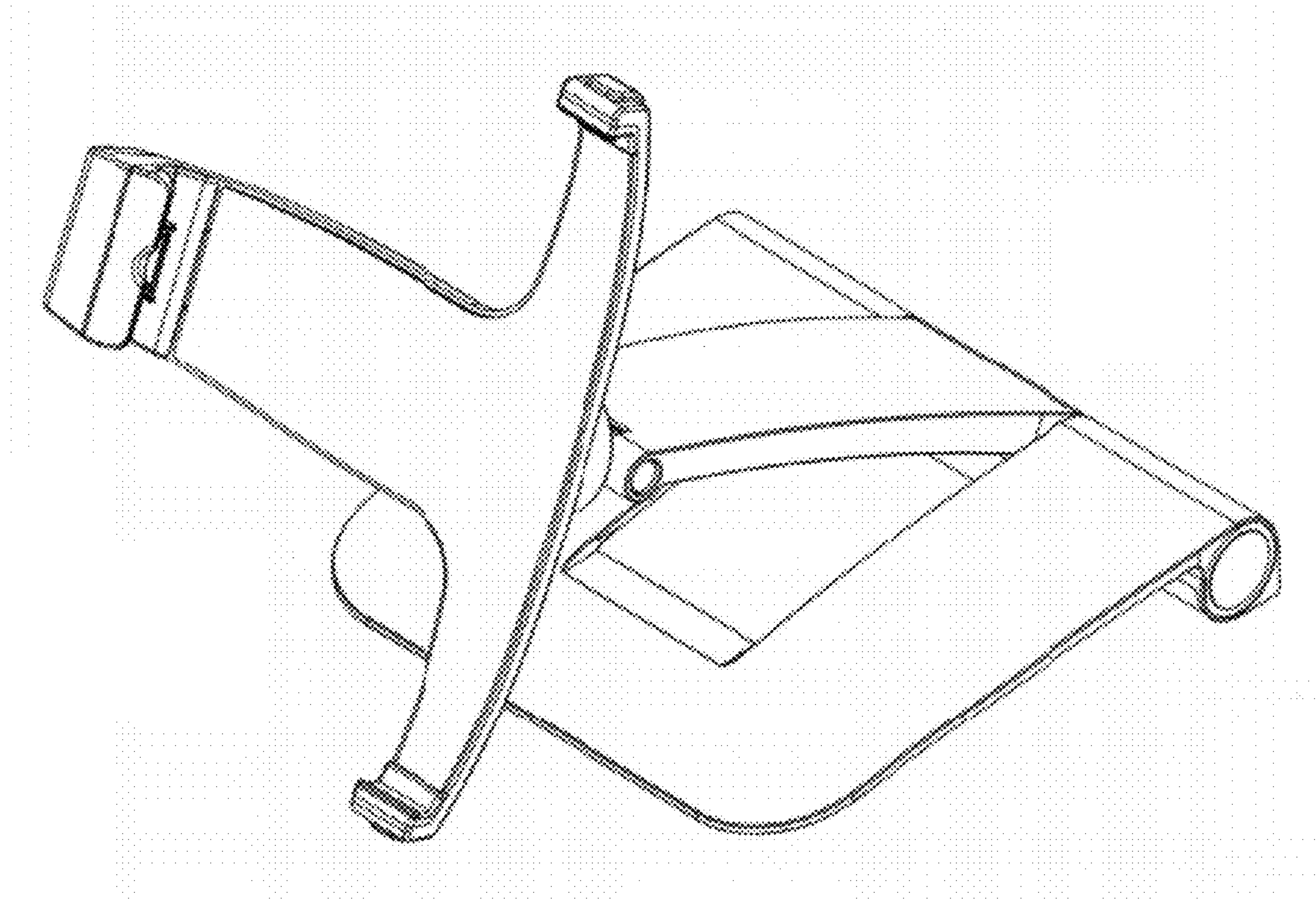


FIG. 19

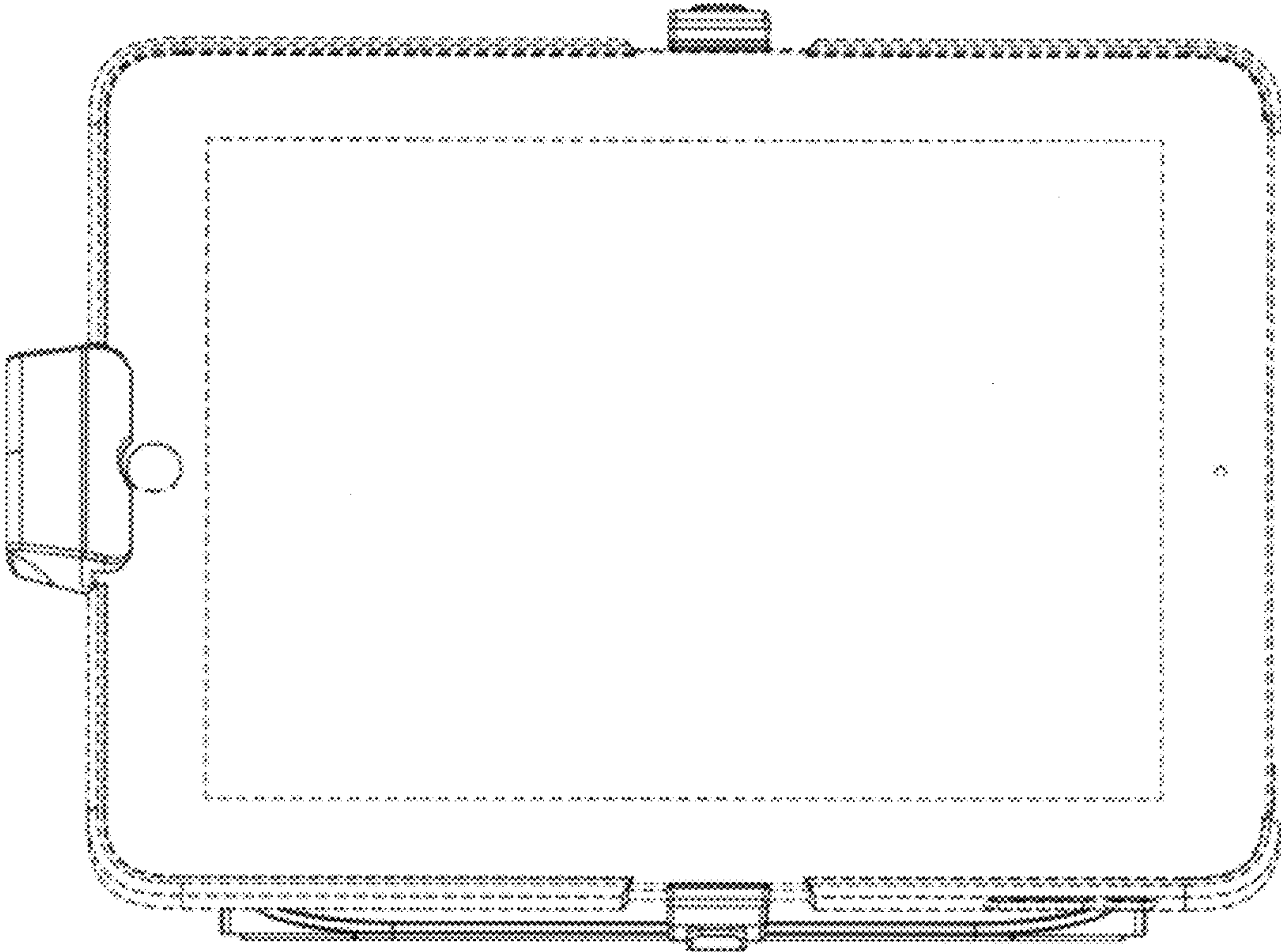


FIG. 20

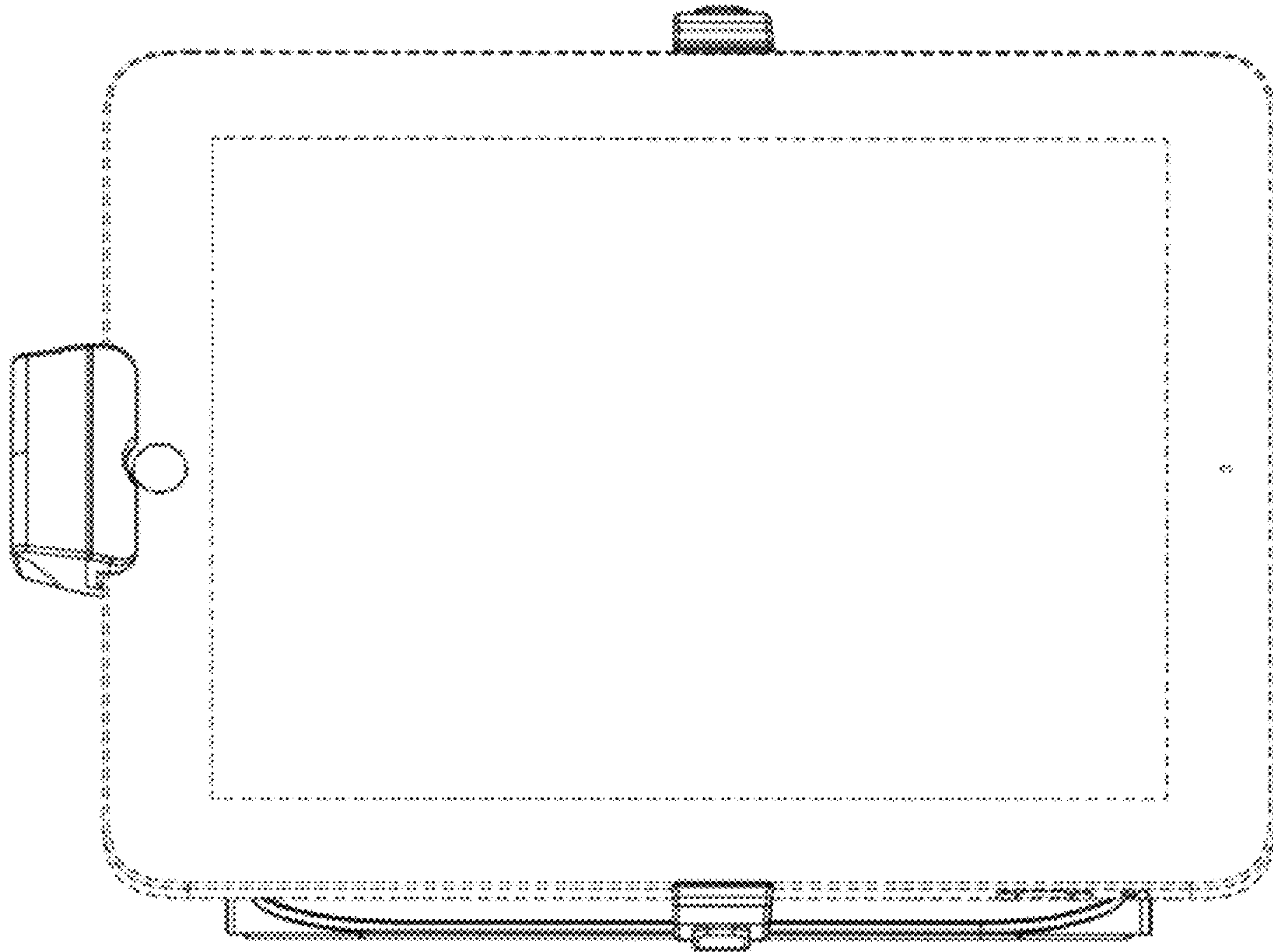


FIG. 21

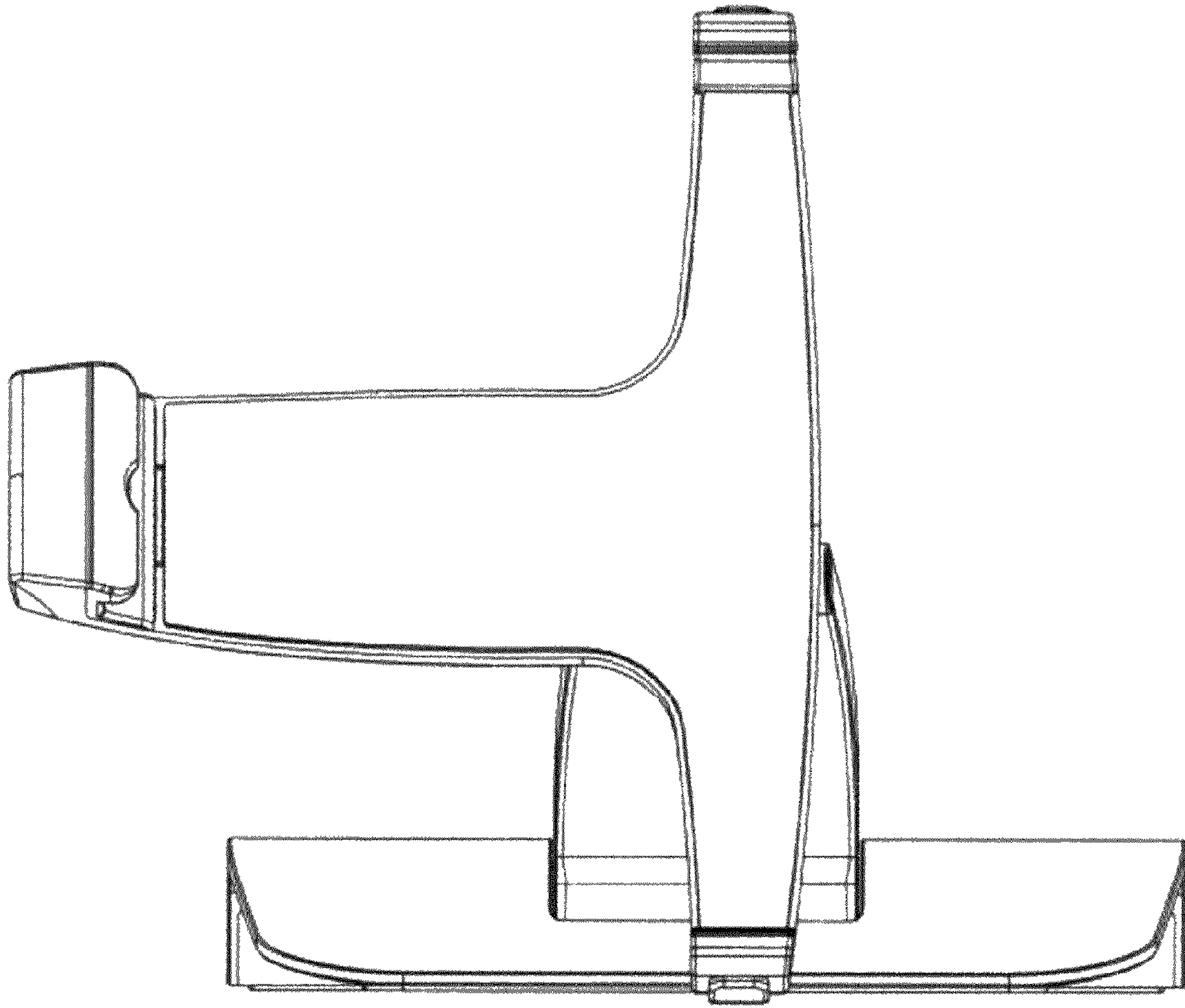


FIG. 22

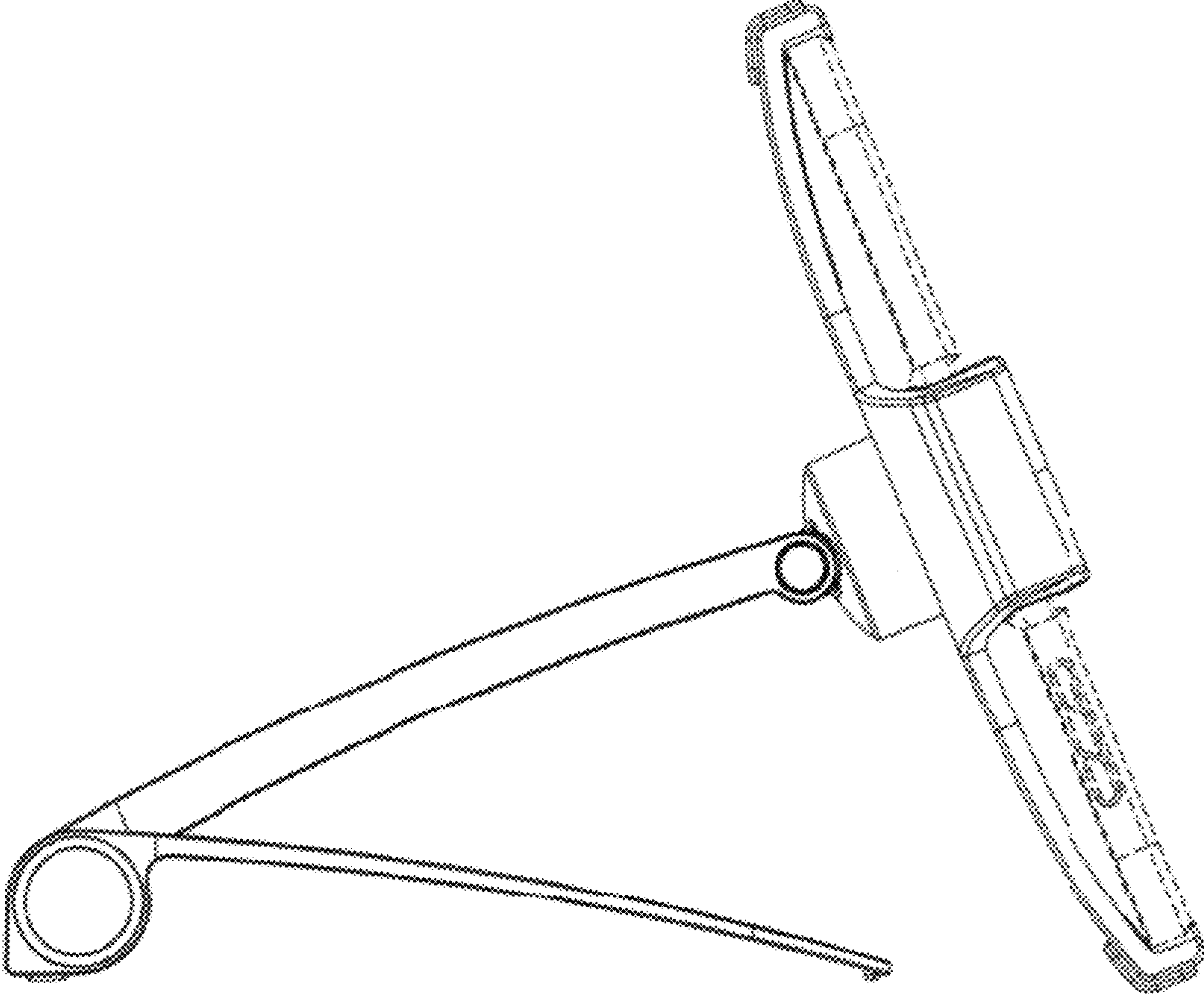


FIG. 23

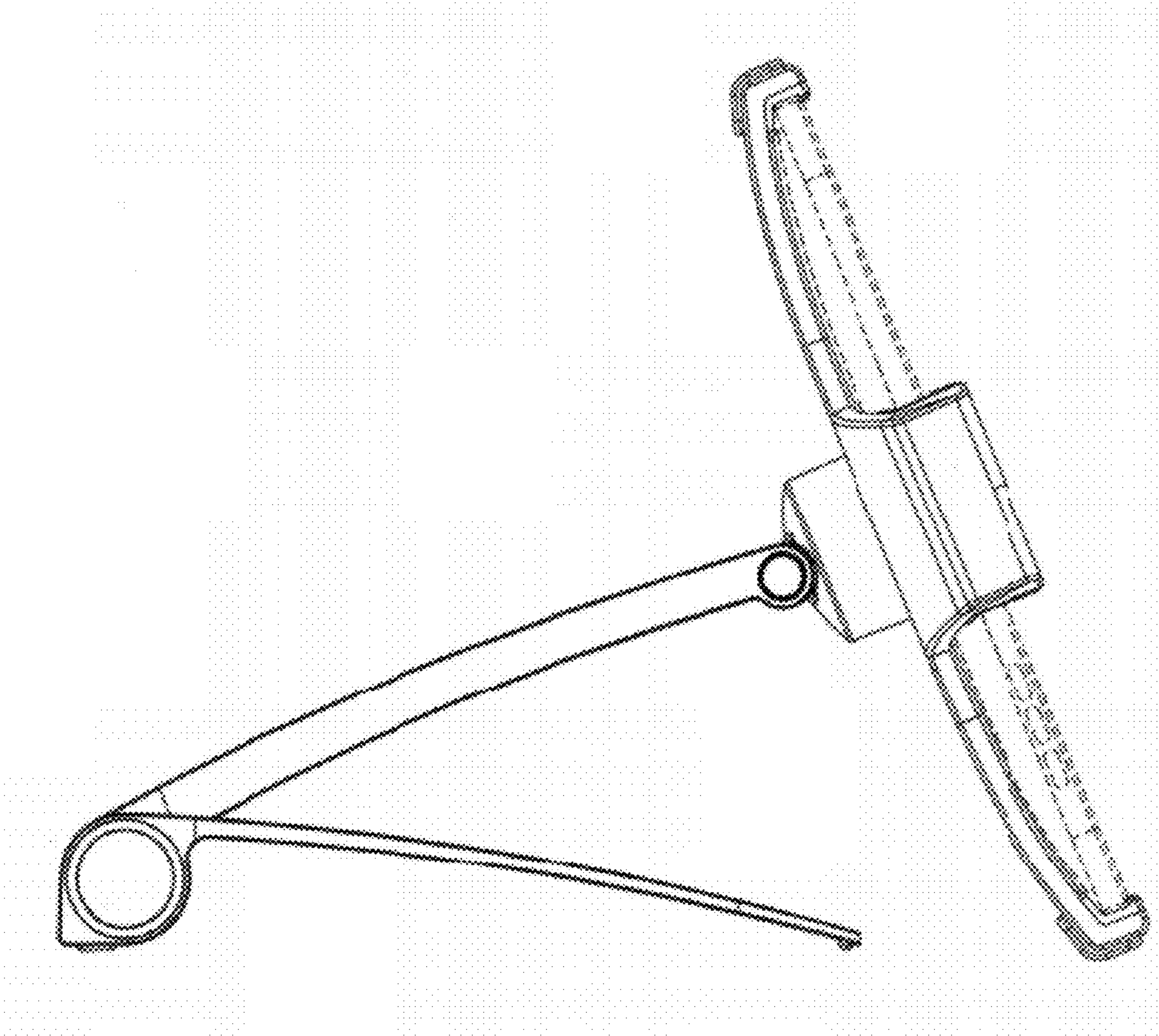


FIG. 24

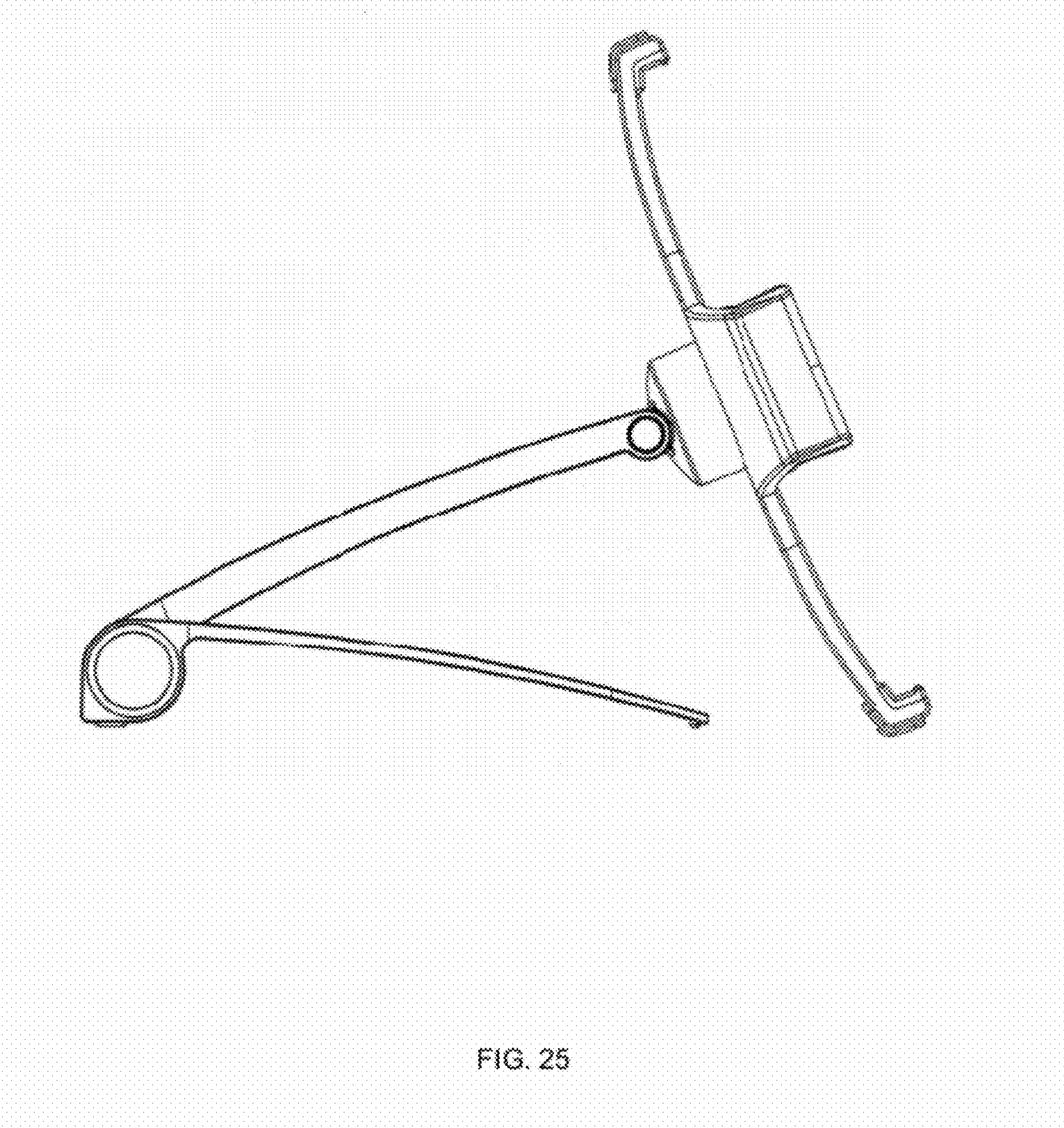


FIG. 25

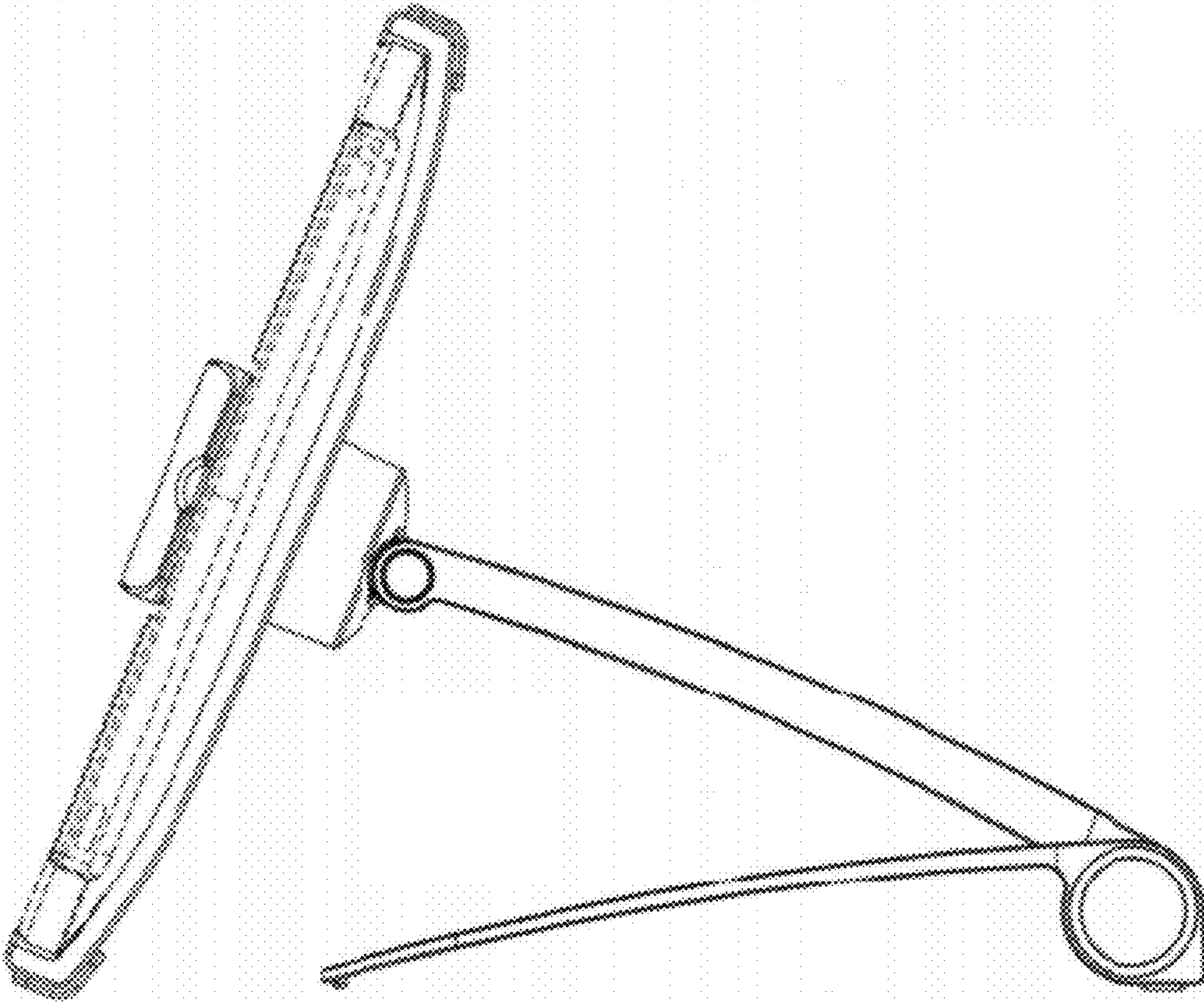


FIG. 26

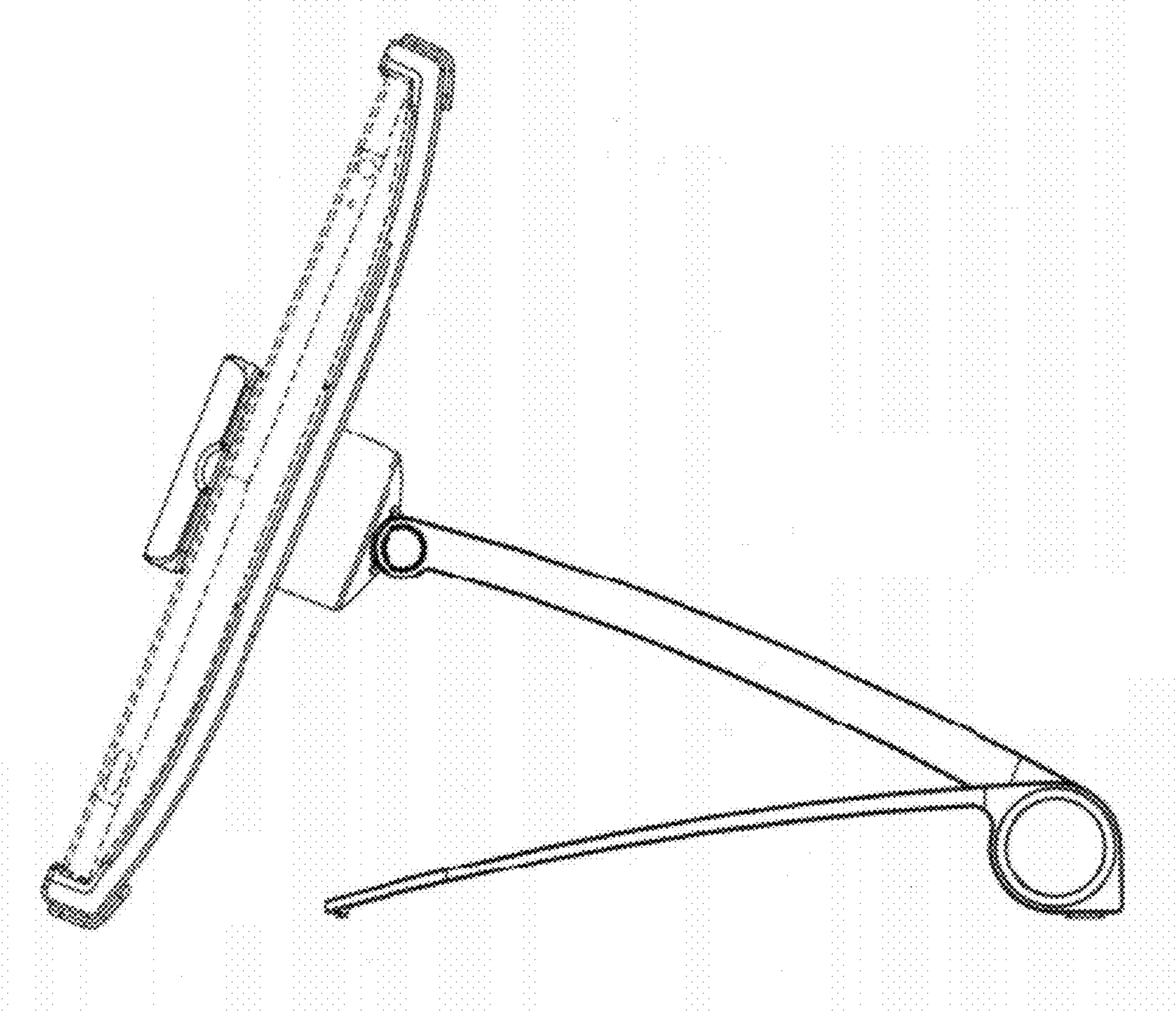


FIG. 27

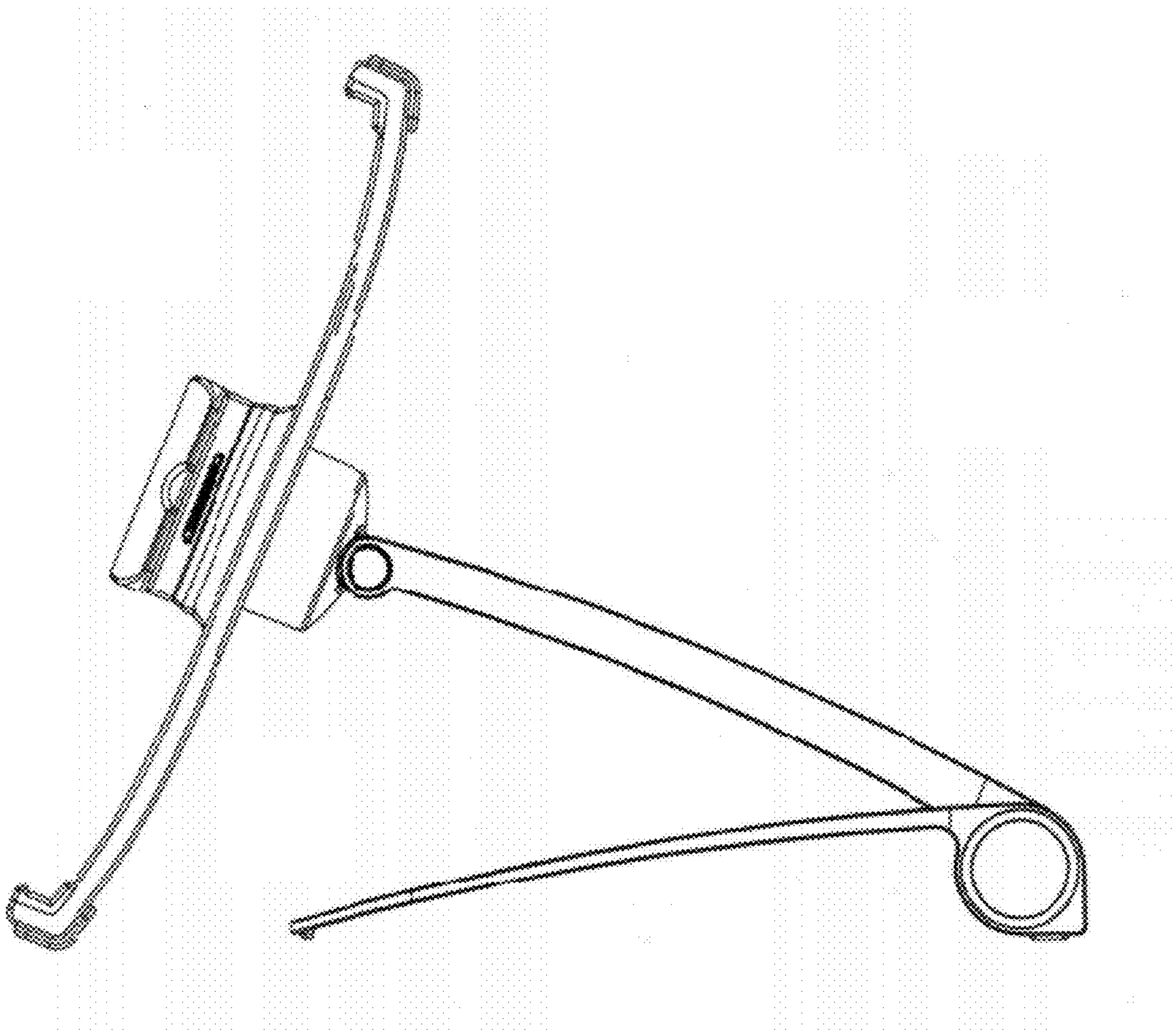


FIG. 28

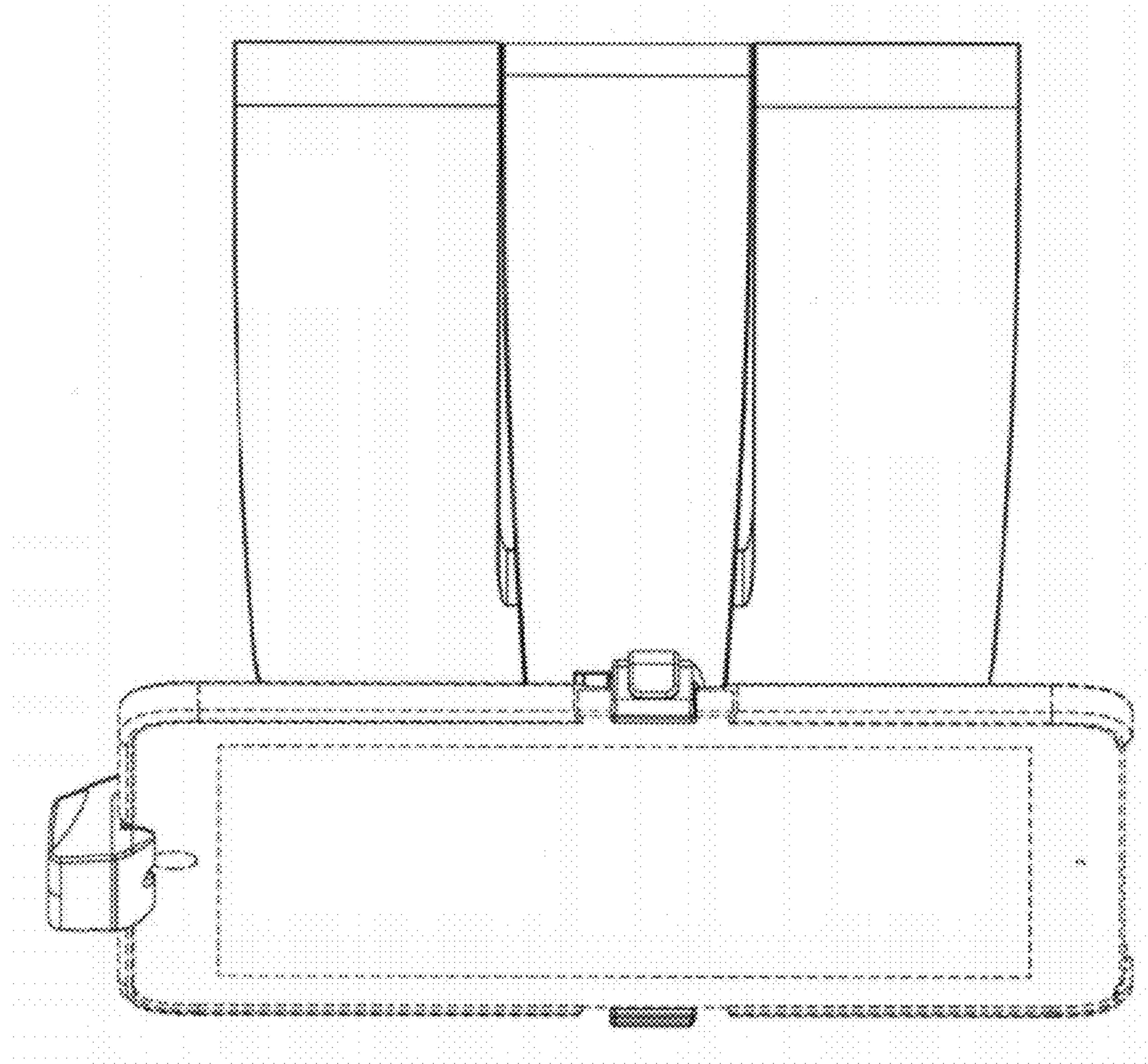


FIG. 29

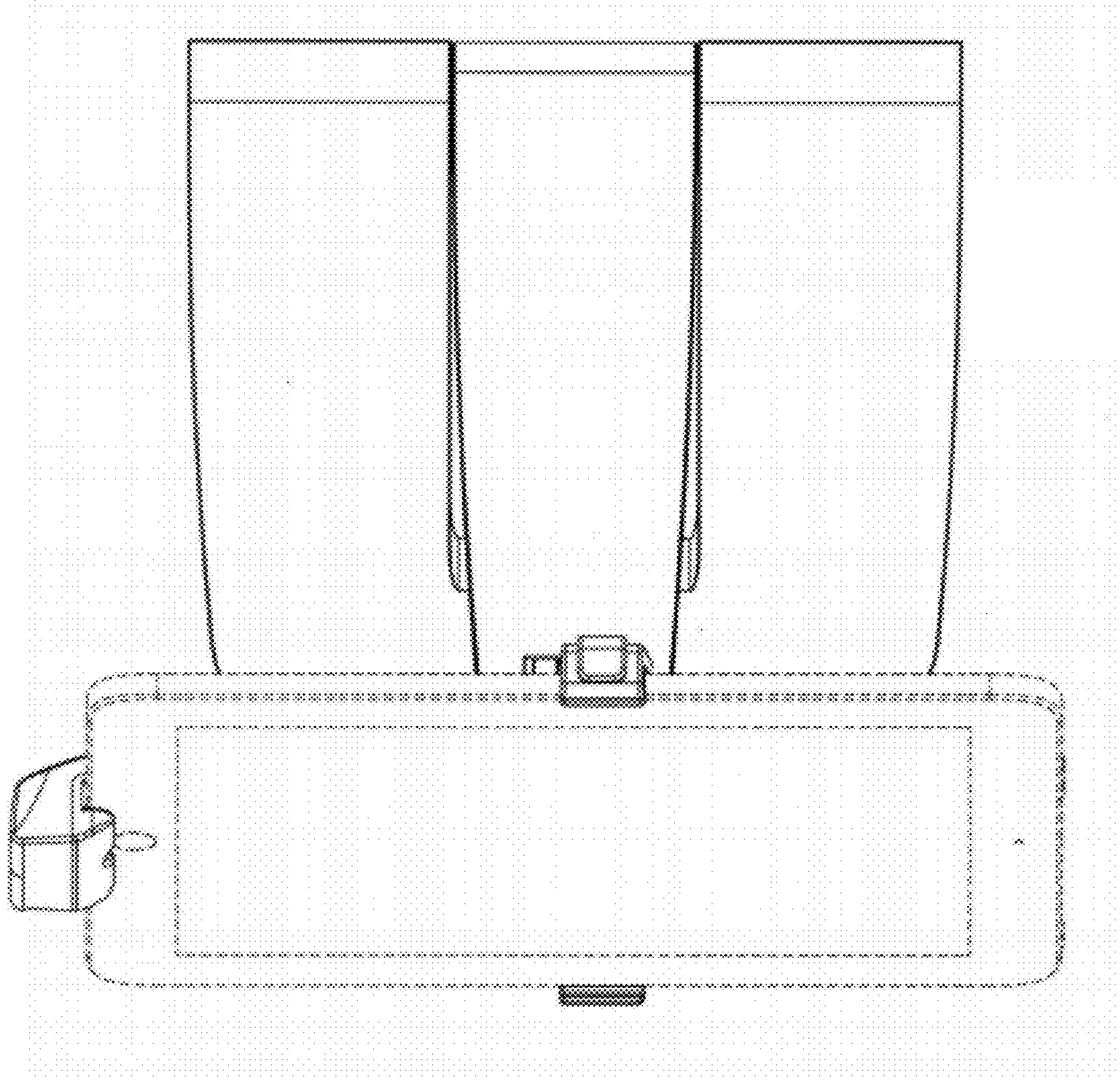


FIG. 30

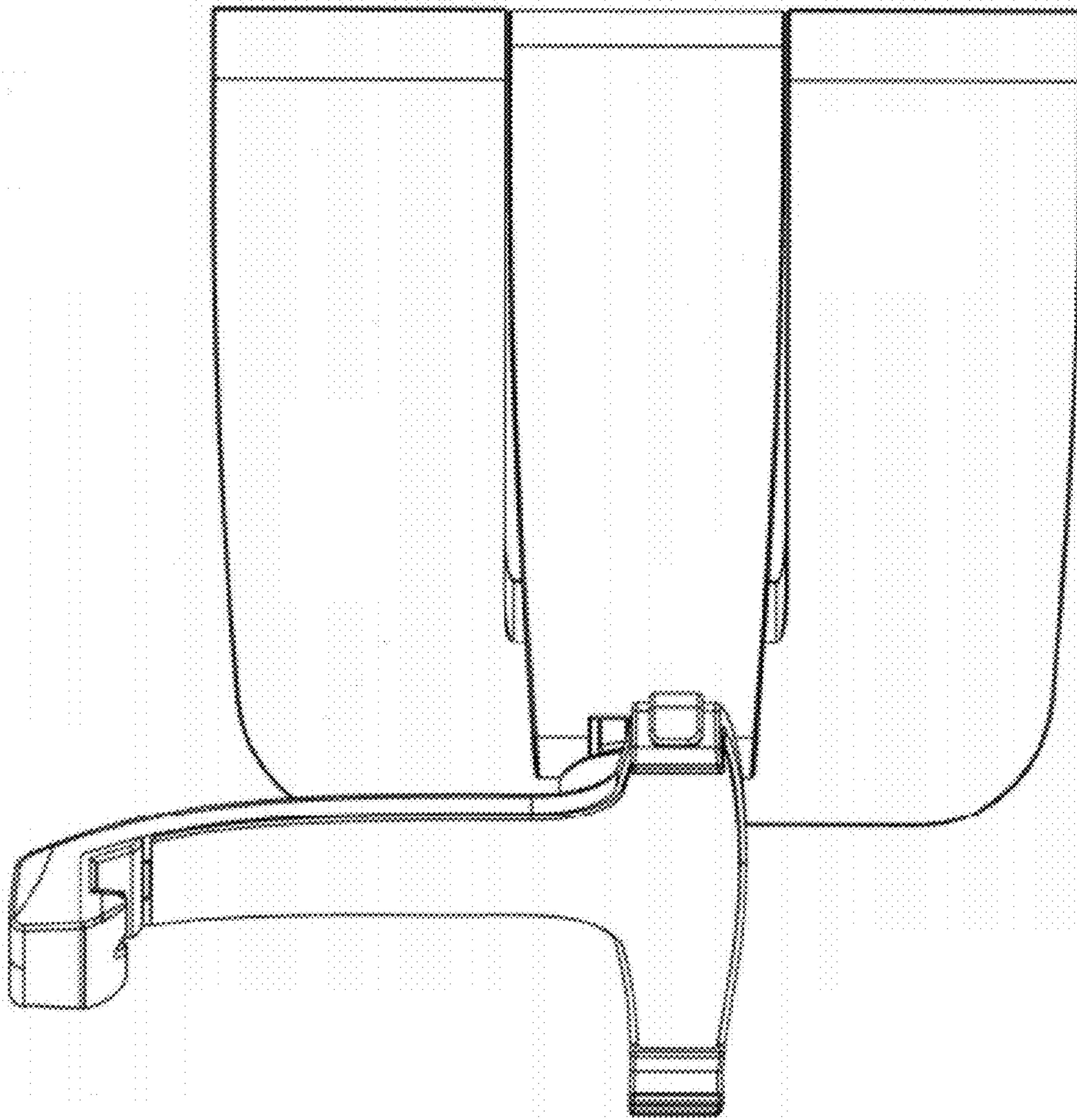


FIG. 31

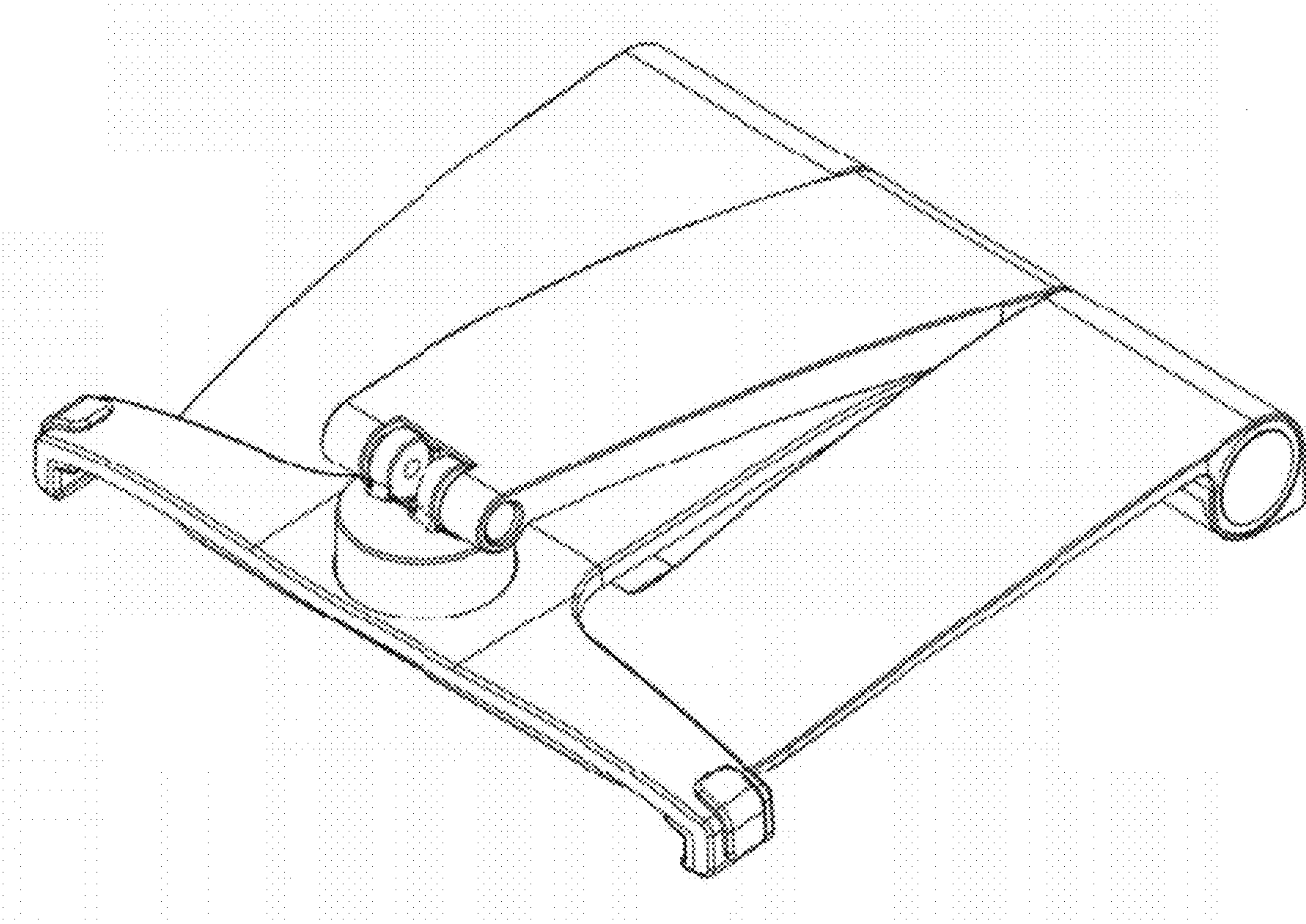


FIG. 32

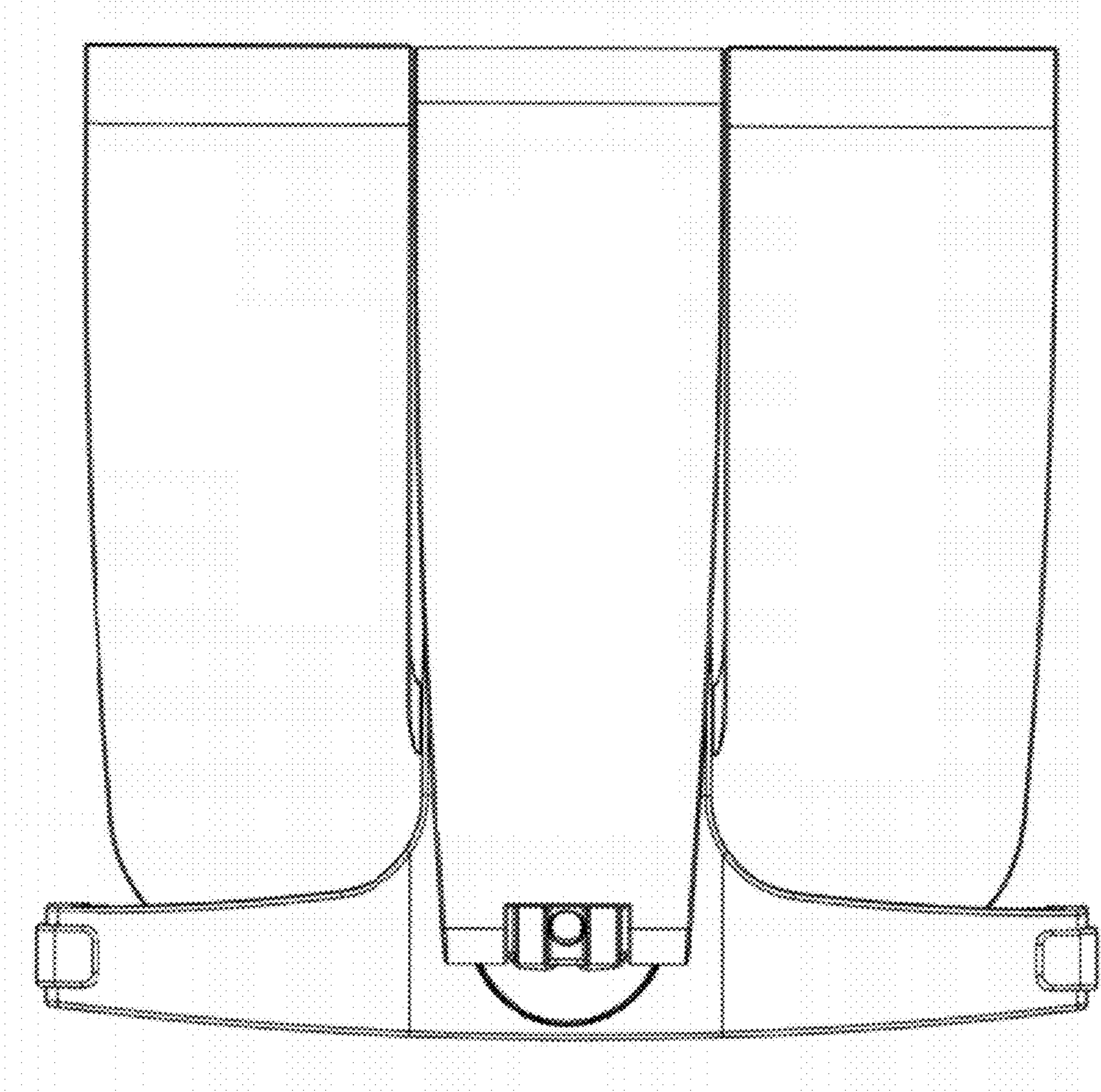


FIG. 33

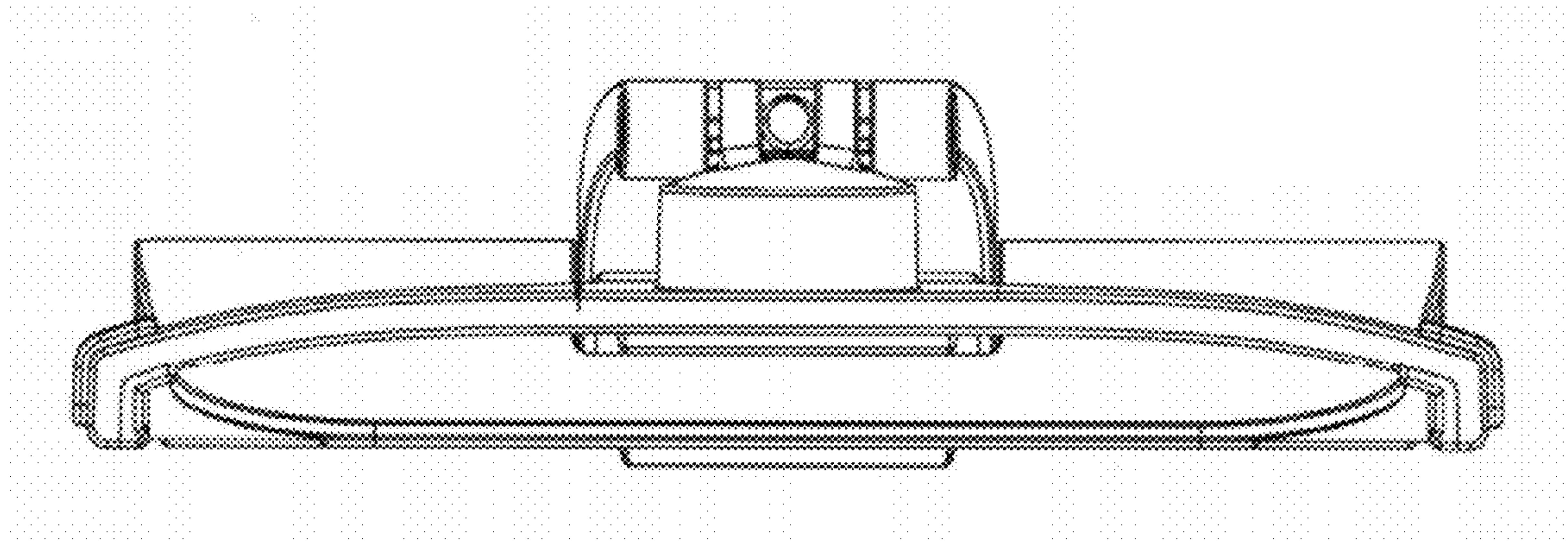


FIG. 34

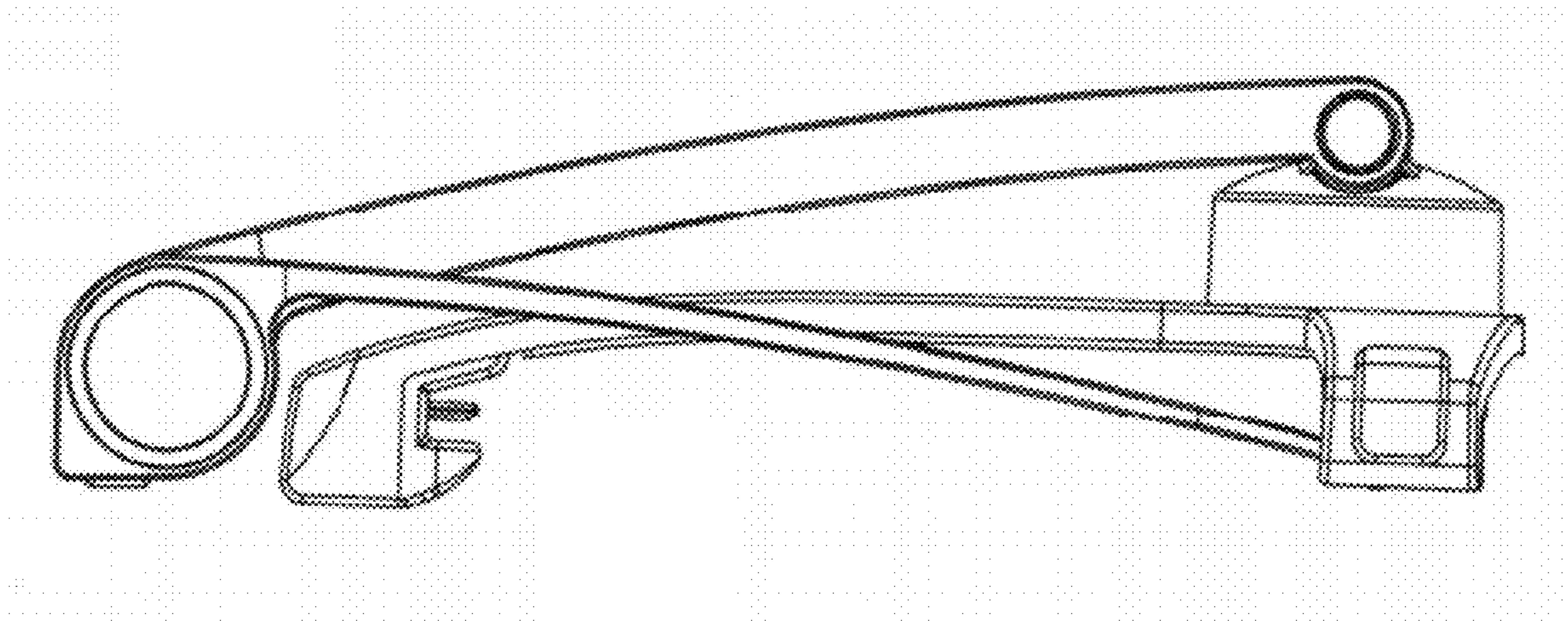


FIG. 35

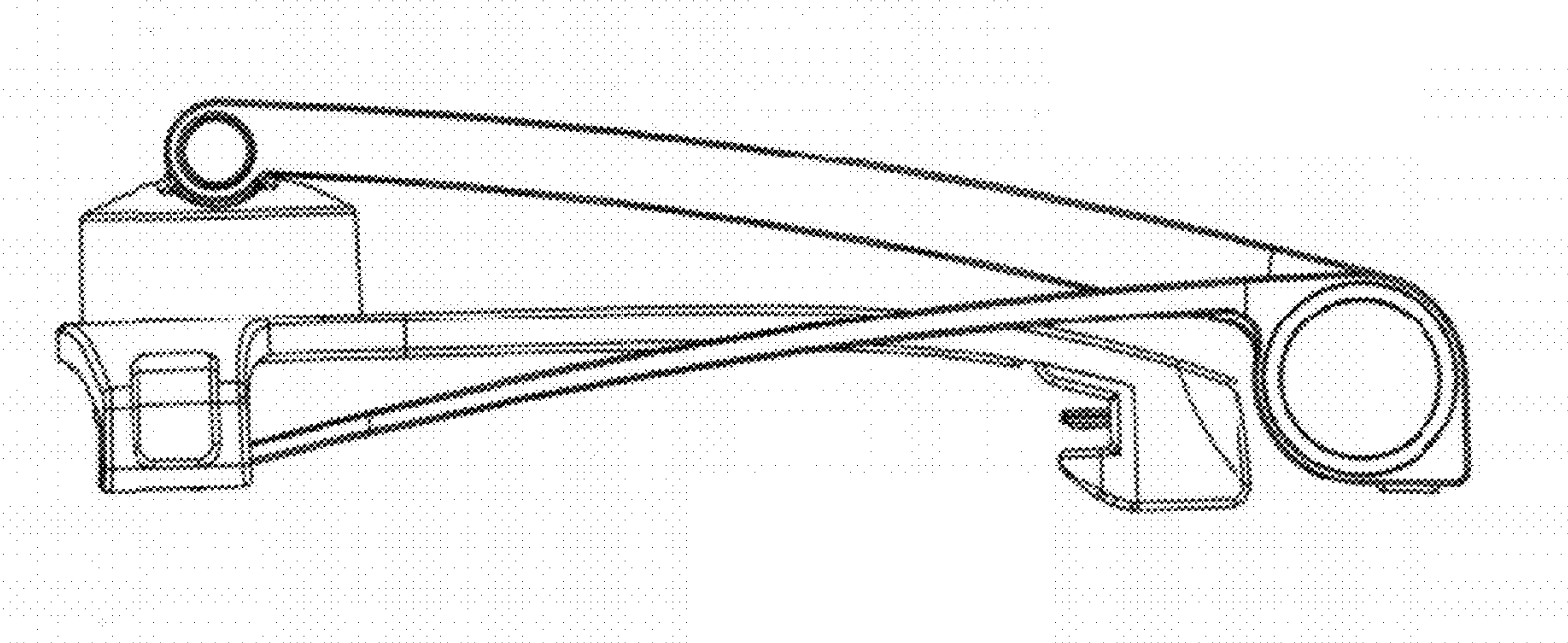


Fig. 36

UNITED STATES PATENT AND TRADEMARK OFFICE
CERTIFICATE OF CORRECTION

PATENT NO. : D670,703 S
APPLICATION NO. : 29/382260
DATED : November 13, 2012
INVENTOR(S) : William Benjamin Hasbrook et al.

Page 1 of 1

It is certified that error appears in the above-identified patent and that said Letters Patent is hereby corrected as shown below:

On the cover page, after (73) Assignee:, change “mophie, Inc.” to “Mophie, Inc.”

Signed and Sealed this
Fifteenth Day of January, 2013

A handwritten signature in black ink that reads "David J. Kappos". The signature is written in a cursive style with a large initial "D" and "K".

David J. Kappos
Director of the United States Patent and Trademark Office