



US00D670702S

(12) **United States Design Patent**  
**Zhang et al.**

(10) **Patent No.:** **US D670,702 S**  
(45) **Date of Patent:** **\*\* Nov. 13, 2012**

(54) **CASE FOR PORTABLE ELECTRONIC DEVICE**

(75) Inventors: **Chun-Mei Zhang**, Shenzhen (CN);  
**Chiang-Kuo Tang**, New Taipei (TW);  
**Yu-Hou Chyan**, New Taipei (TW);  
**Te-Sheng Jan**, New Taipei (TW)

(73) Assignee: **Hon Hai Precision Industry Co., Ltd.**,  
Tu-Cheng, New Taipei (TW)

(\*\*) Term: **14 Years**

(21) Appl. No.: **29/409,919**

(22) Filed: **Dec. 30, 2011**

(51) **LOC (9) Cl.** ..... **14-02**

(52) **U.S. Cl.** ..... **D14/440**

(58) **Field of Classification Search** ..... D14/250,  
D14/251, 253, 240, 217, 496, 440, 203.3,  
D14/203.4, 203.5, 203.8, 432, 439, 300;  
D3/218, 215, 201; 220/4.02; 248/309.1;  
361/679.56; 379/426, 433.11, 455; 455/575.1,  
455/575.8; 190/100; 206/305, 320; D13/130  
See application file for complete search history.

(56) **References Cited**

**U.S. PATENT DOCUMENTS**

D378,917	S *	4/1997	Ohayon	.....	D14/146
D469,438	S *	1/2003	Corrales	.....	D14/432
D481,716	S *	11/2003	He et al.	.....	D14/248
D499,546	S *	12/2004	Smithers	.....	D3/218
D593,750	S *	6/2009	Song	.....	D3/269
7,542,052	B2 *	6/2009	Solomon et al.	.....	345/659
D609,226	S *	2/2010	Hofer et al.	.....	D14/248
D609,464	S *	2/2010	Bullen	.....	D3/218
D616,360	S *	5/2010	Huang	.....	D13/103

D635,111	S	3/2011	Wun et al.	
D641,356	S	7/2011	Ferrari et al.	
7,989,085	B2 *	8/2011	Li et al.	..... 428/614
8,016,107	B2 *	9/2011	Emsky	..... 206/320
D646,266	S *	10/2011	Kim et al.	..... D14/250
D648,695	S	11/2011	Wun et al.	
D649,539	S *	11/2011	Hong	..... D14/250
D653,202	S *	1/2012	Hasbrook et al.	..... D13/103
D653,248	S *	1/2012	Fahrendorff et al.	..... D14/250
D654,069	S *	2/2012	Kwon et al.	..... D14/250
D655,288	S	3/2012	de Jong et al.	
8,132,670	B1 *	3/2012	Chen	..... 206/320
D659,139	S *	5/2012	Gengler	..... D14/392
D660,789	S *	5/2012	Mar	..... D13/103
D662,503	S *	6/2012	Akana et al.	..... D14/439
D665,809	S *	8/2012	Wang et al.	..... D14/439
8,245,843	B1 *	8/2012	Wu	..... 206/320
2008/0225468	A1 *	9/2008	Huang et al.	..... 361/679
2010/0289390	A1 *	11/2010	Kenney	..... 312/223.1

\* cited by examiner

*Primary Examiner* — Cynthia Underwood  
(74) *Attorney, Agent, or Firm* — Altis Law Group, Inc.

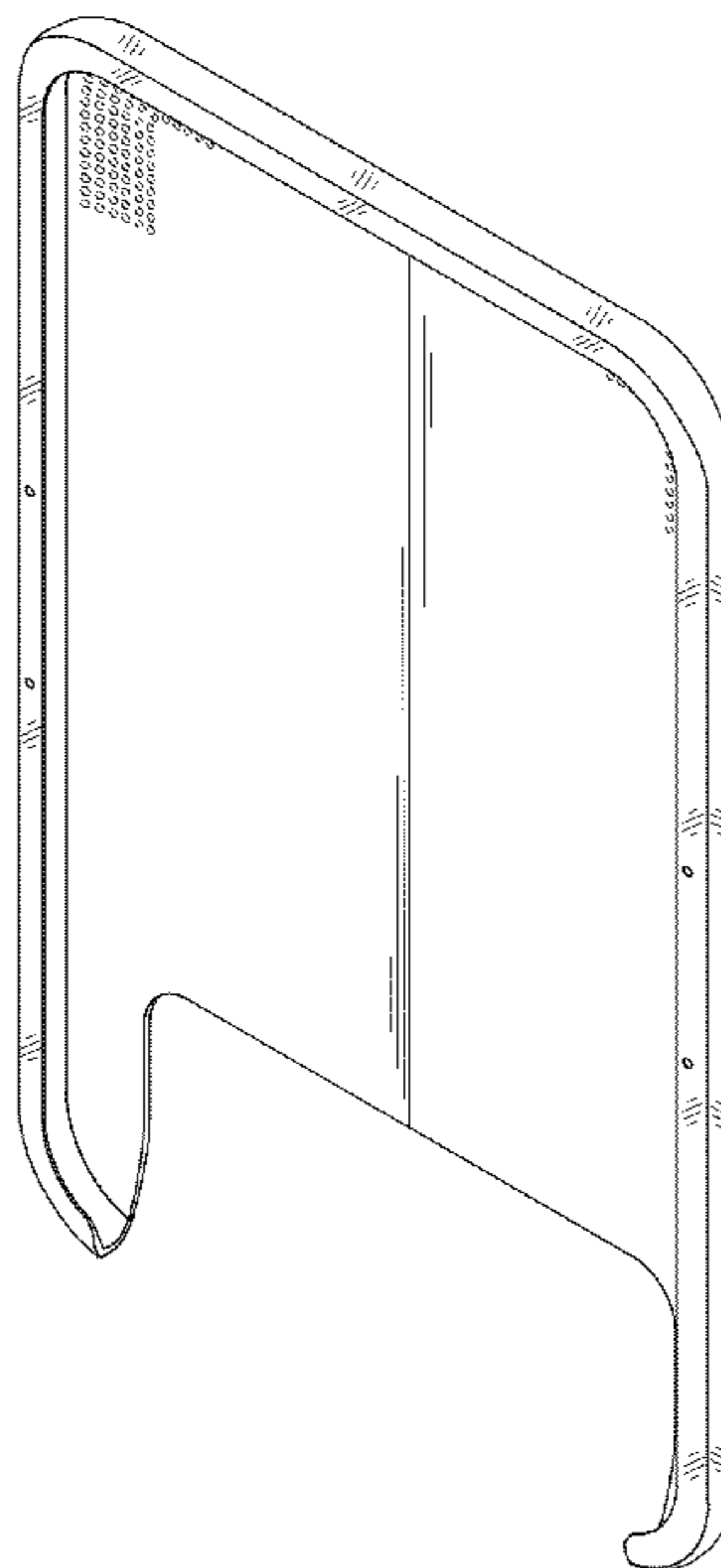
(57) **CLAIM**

The ornamental design for a case for portable electronic device, as shown and described.

**DESCRIPTION**

FIG. 1 is a perspective view of a case for portable electronic device showing our new design;  
FIG. 2 is a front elevational view thereof;  
FIG. 3 is a rear elevational view thereof;  
FIG. 4 is a left side elevational view thereof;  
FIG. 5 is a right side elevational view thereof;  
FIG. 6 is a top plan view thereof; and,  
FIG. 7 is a bottom plan view thereof.

**1 Claim, 7 Drawing Sheets**



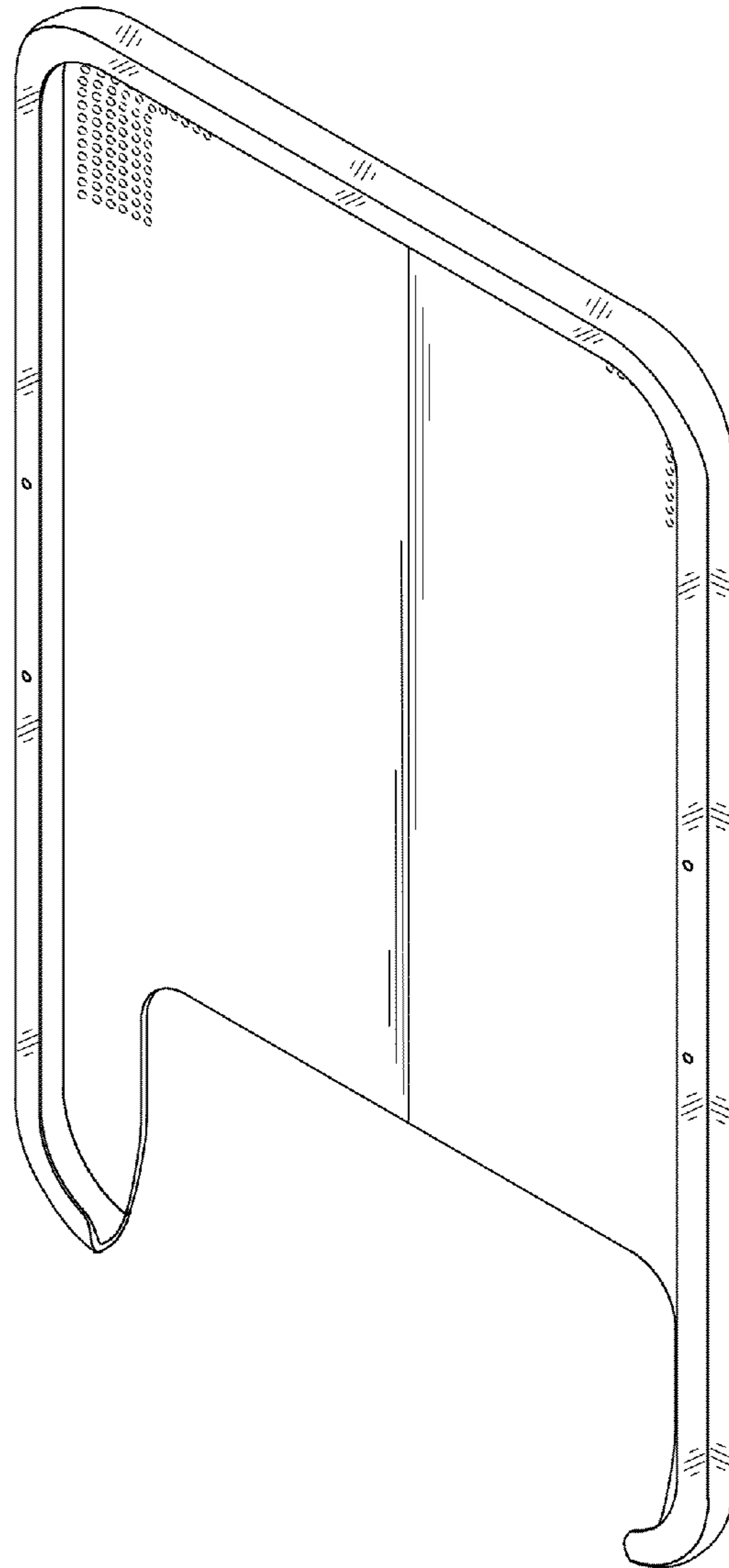


FIG. 1

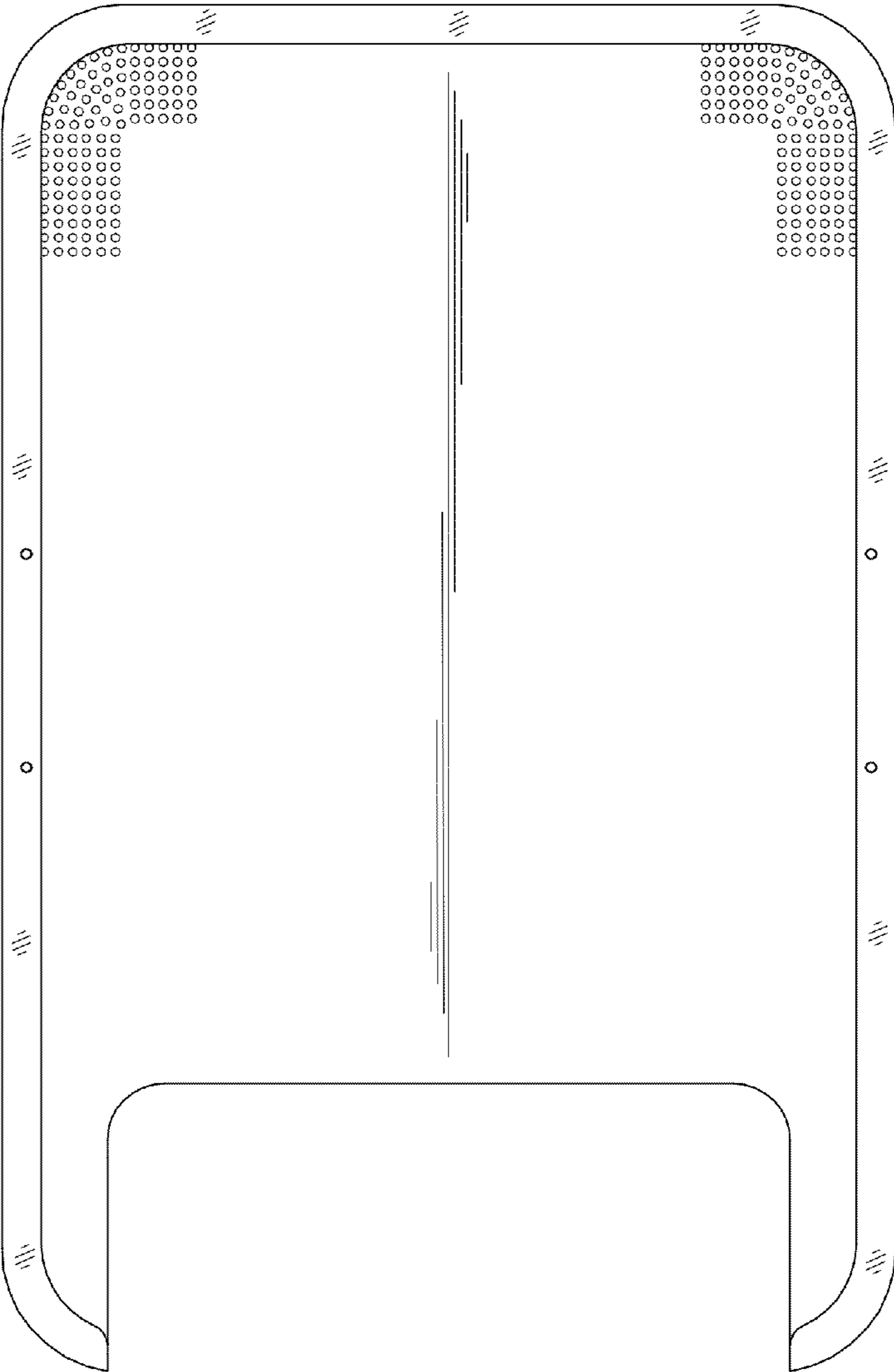


FIG. 2

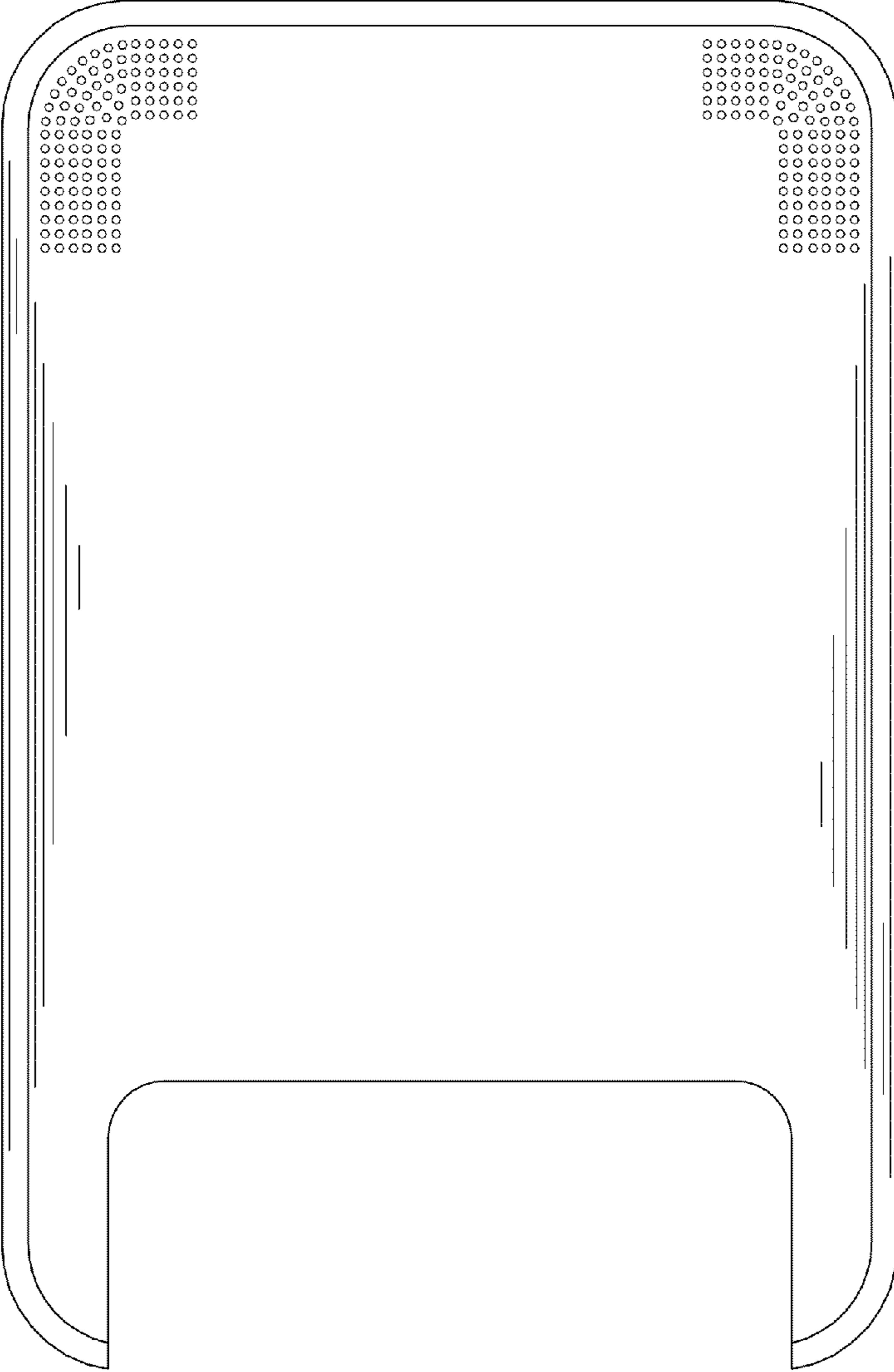


FIG. 3

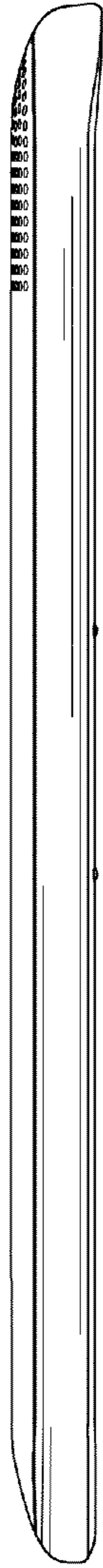


FIG. 4

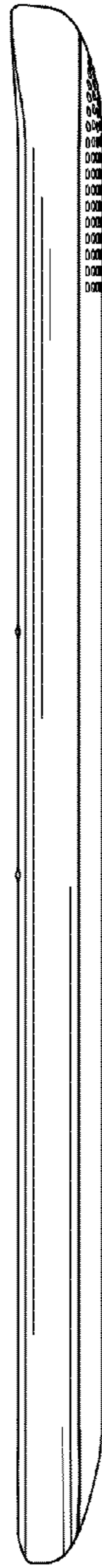


FIG. 5

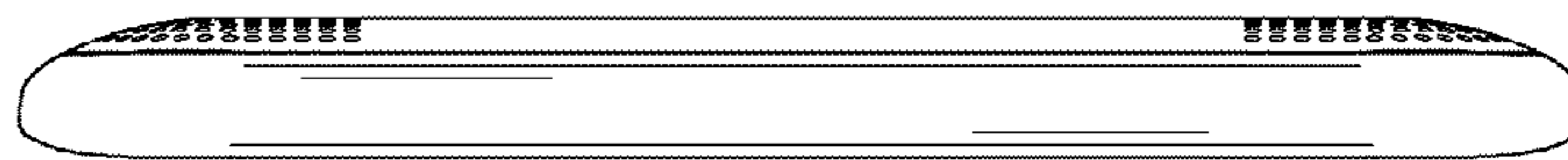


FIG. 6



FIG. 7