



US00D670701S

(12) **United States Design Patent**
Lim et al.

(10) **Patent No.:** **US D670,701 S**
(45) **Date of Patent:** **** Nov. 13, 2012**

(54) **STYLUS PEN**

(75) Inventors: **Woo-Teik Lim**, Seoul (KR); **Ji-Sang Park**, Kyunggi-do (KR)

(73) Assignee: **Samsung Electronics Co., Ltd.**, Kyunggi-do (KR)

(**) Term: **14 Years**

(21) Appl. No.: **29/418,456**

(22) Filed: **Apr. 17, 2012**

(30) **Foreign Application Priority Data**

Nov. 23, 2011 (KR) 30-2011-0049419

(51) **LOC (9) Cl.** **14-02**

(52) **U.S. Cl.** **D14/411**

(58) **Field of Classification Search** D8/61;
D14/411; D19/35, 36, 41-51, 54-58; 401/55,
401/99, 100, 104-107, 196, 197, 202, 208,
401/209, 213, 192, 195, 243; 708/107; 345/179,
345/173; 178/19.01; 700/94

See application file for complete search history.

(56) **References Cited**

U.S. PATENT DOCUMENTS

D262,041 S * 11/1981 Schmidt D19/75
D319,436 S * 8/1991 Matsushita D14/428
D321,180 S * 10/1991 Conversano et al. D14/431

D332,446 S * 1/1993 Lin D14/411
D337,767 S * 7/1993 Sogabe et al. D14/155
D357,698 S * 4/1995 Hepler D19/36
D412,331 S * 7/1999 Nakamura D14/155
D419,541 S * 1/2000 Kawashima D14/431
D552,607 S * 10/2007 Cleland et al. D14/358
D617,797 S * 6/2010 Moon et al. D14/411

* cited by examiner

Primary Examiner — Austin Murphy

(74) *Attorney, Agent, or Firm* — Flynn, Thiel, Boutell & Tanis, P.C.

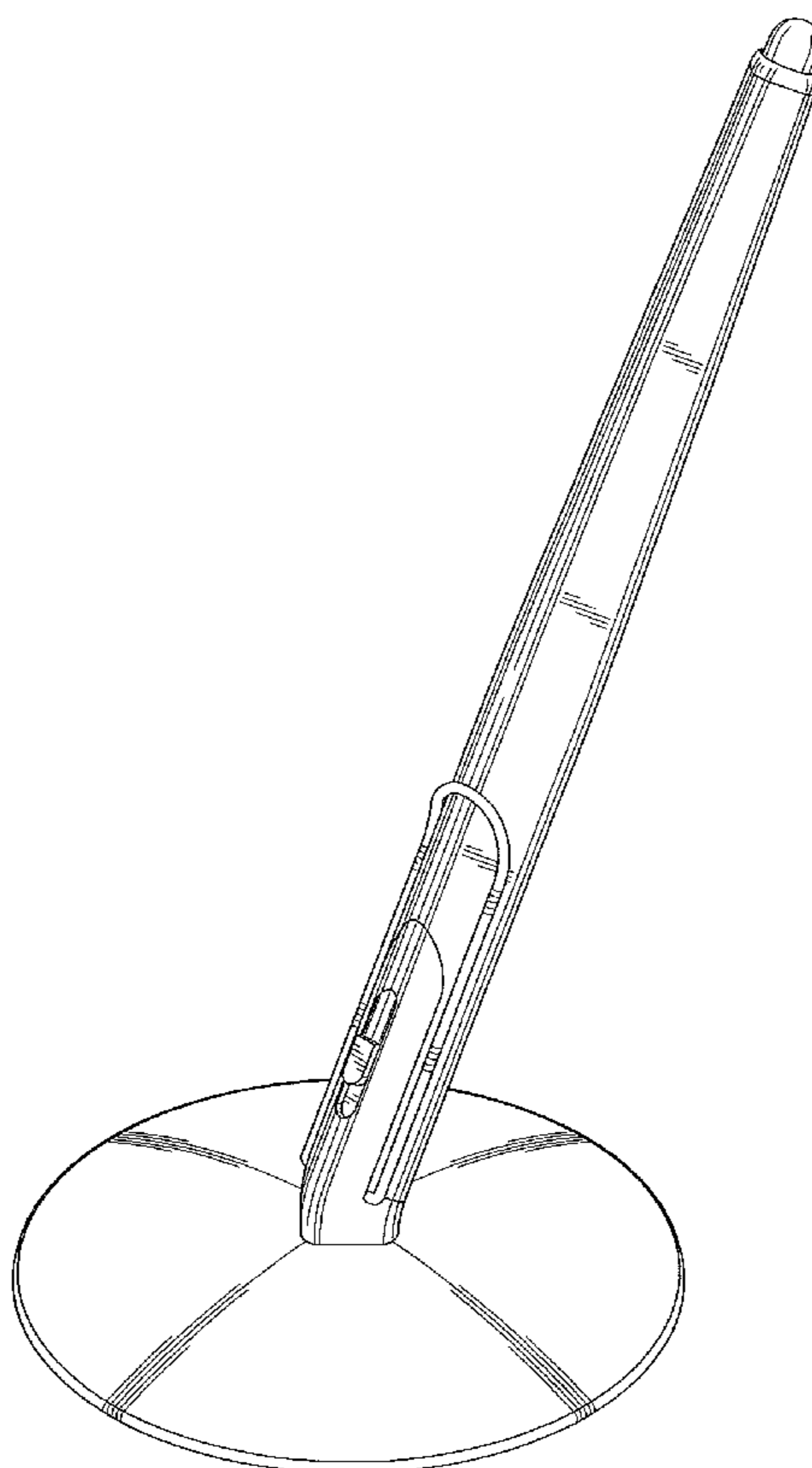
(57) **CLAIM**

The ornamental design for a stylus pen, as shown and described.

DESCRIPTION

FIG. 1 is a top front perspective view of a stylus pen showing our new design;
FIG. 2 is a front elevational view thereof;
FIG. 3 is a rear elevational view thereof;
FIG. 4 is a left side elevational view thereof;
FIG. 5 is a right side elevational view thereof;
FIG. 6 is a top plan view thereof;
FIG. 7 is a bottom plan view thereof;
FIG. 8 is a perspective view thereof when the present stylus pen is separated from the support board; and,
FIG. 9 is a front view thereof, shown supporting a tablet computer. The tablet computer is shown as unclaimed. The broken lines shown in FIG. 9 represent portions of a tablet computer that form no part of the claimed design.

1 Claim, 9 Drawing Sheets



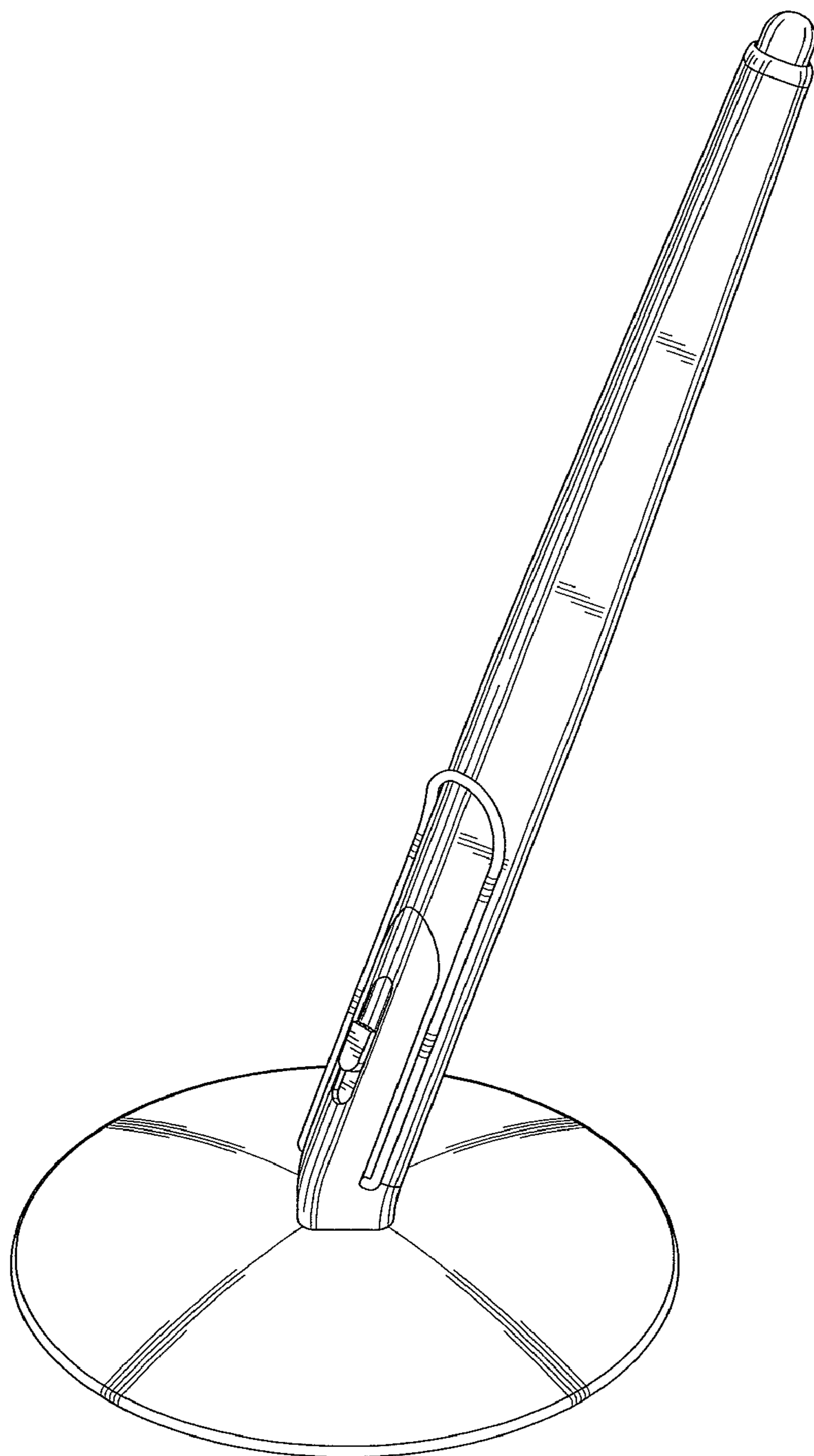


FIG.1

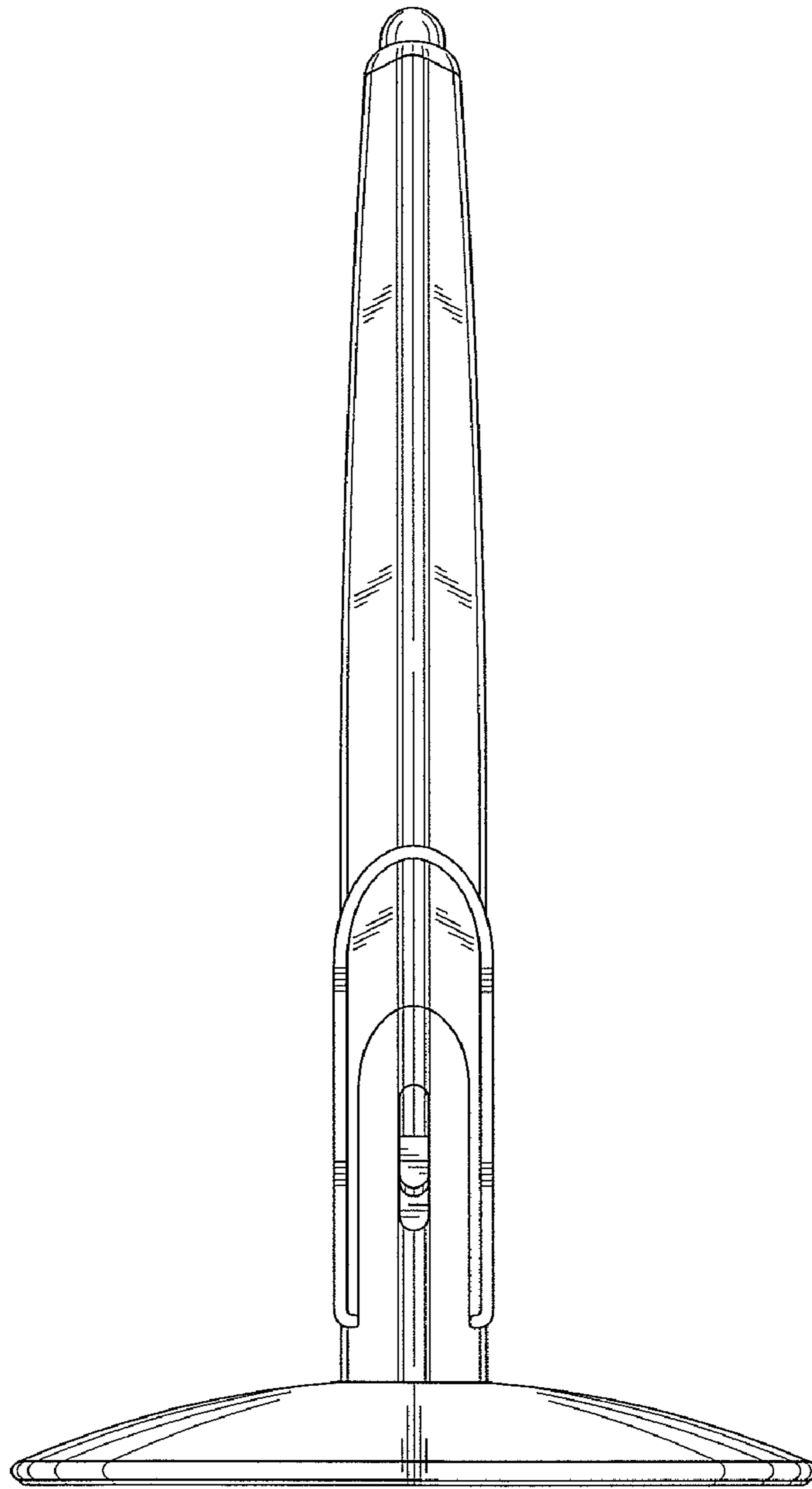


FIG.2

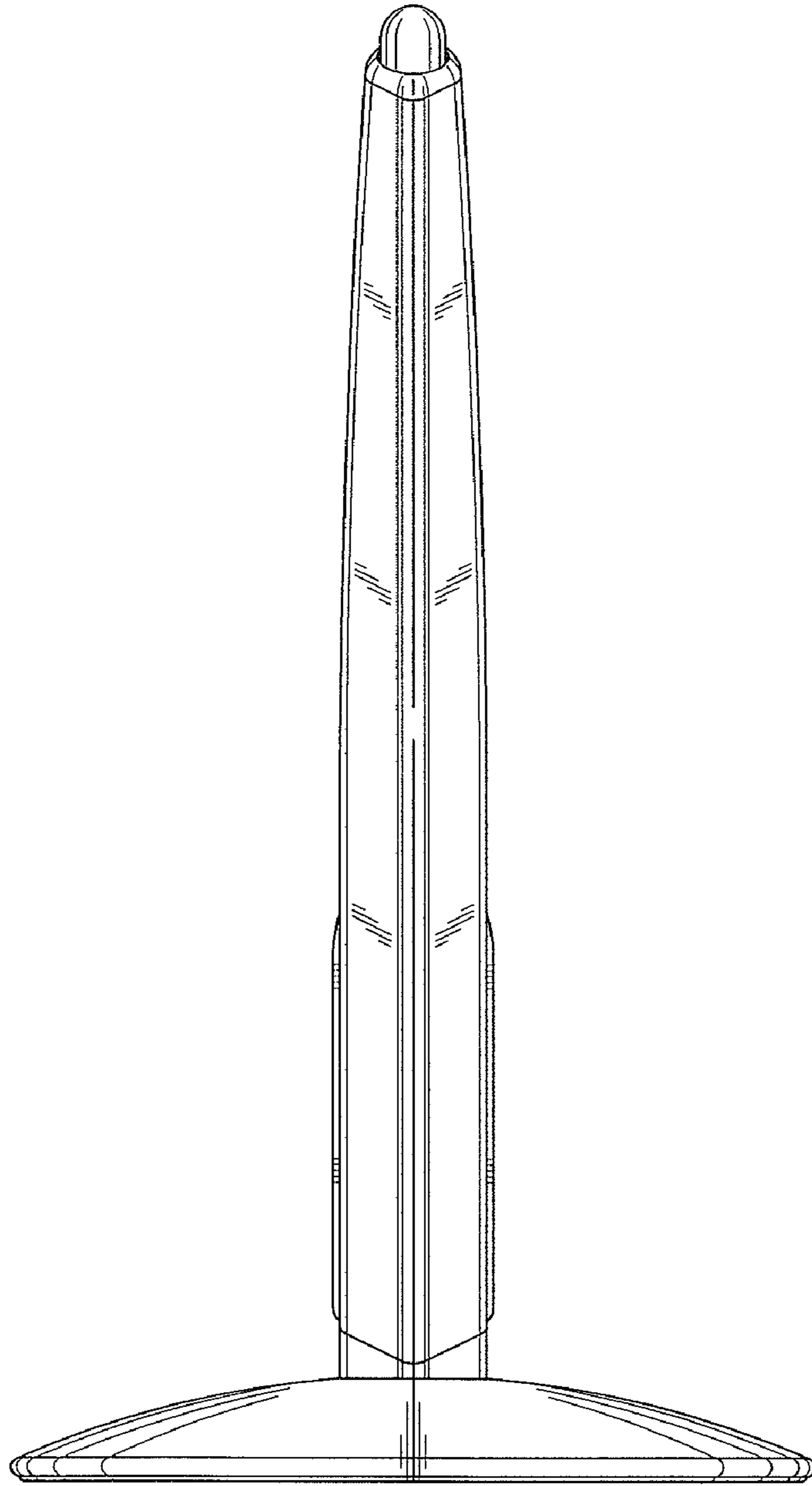


FIG.3

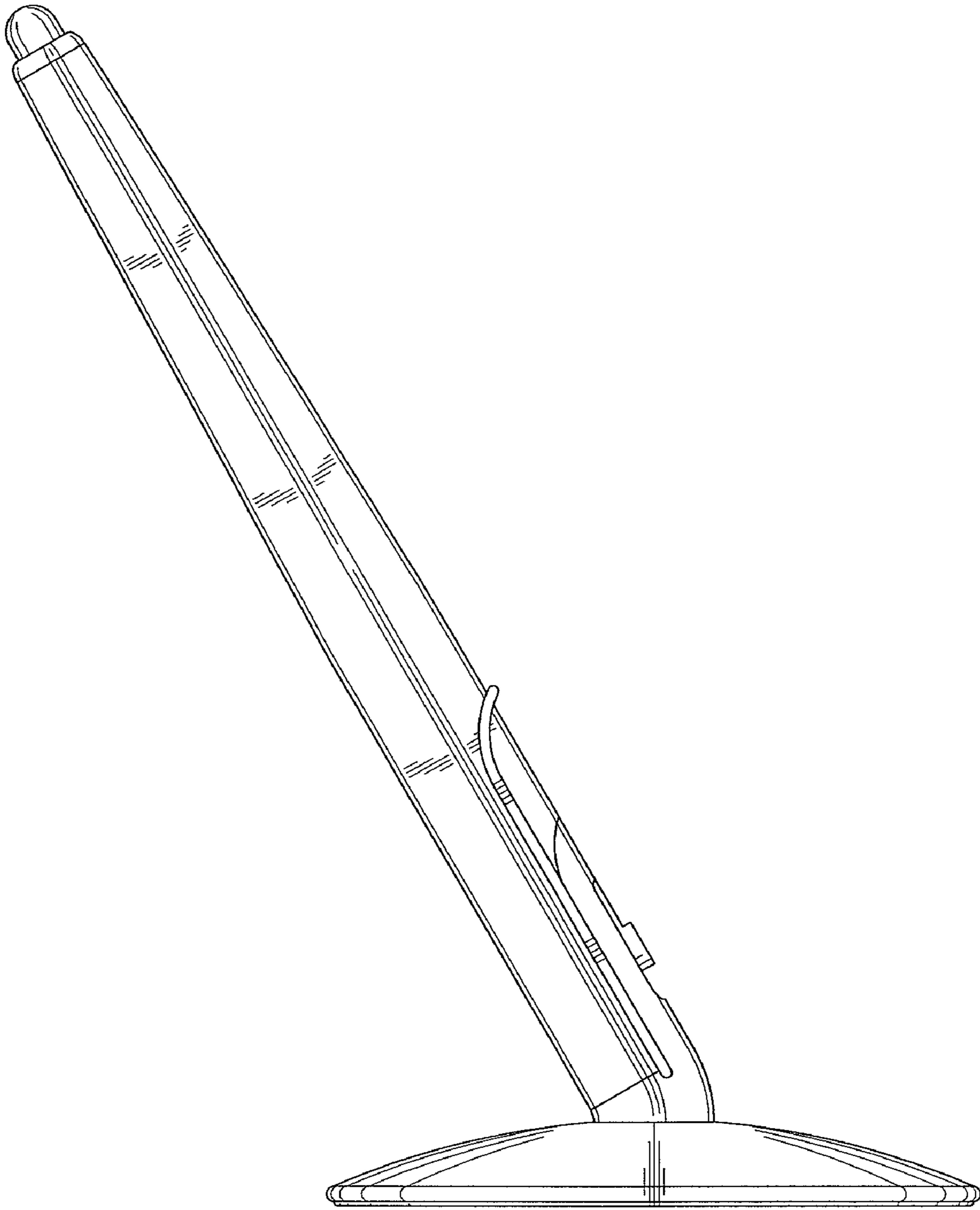


FIG.4

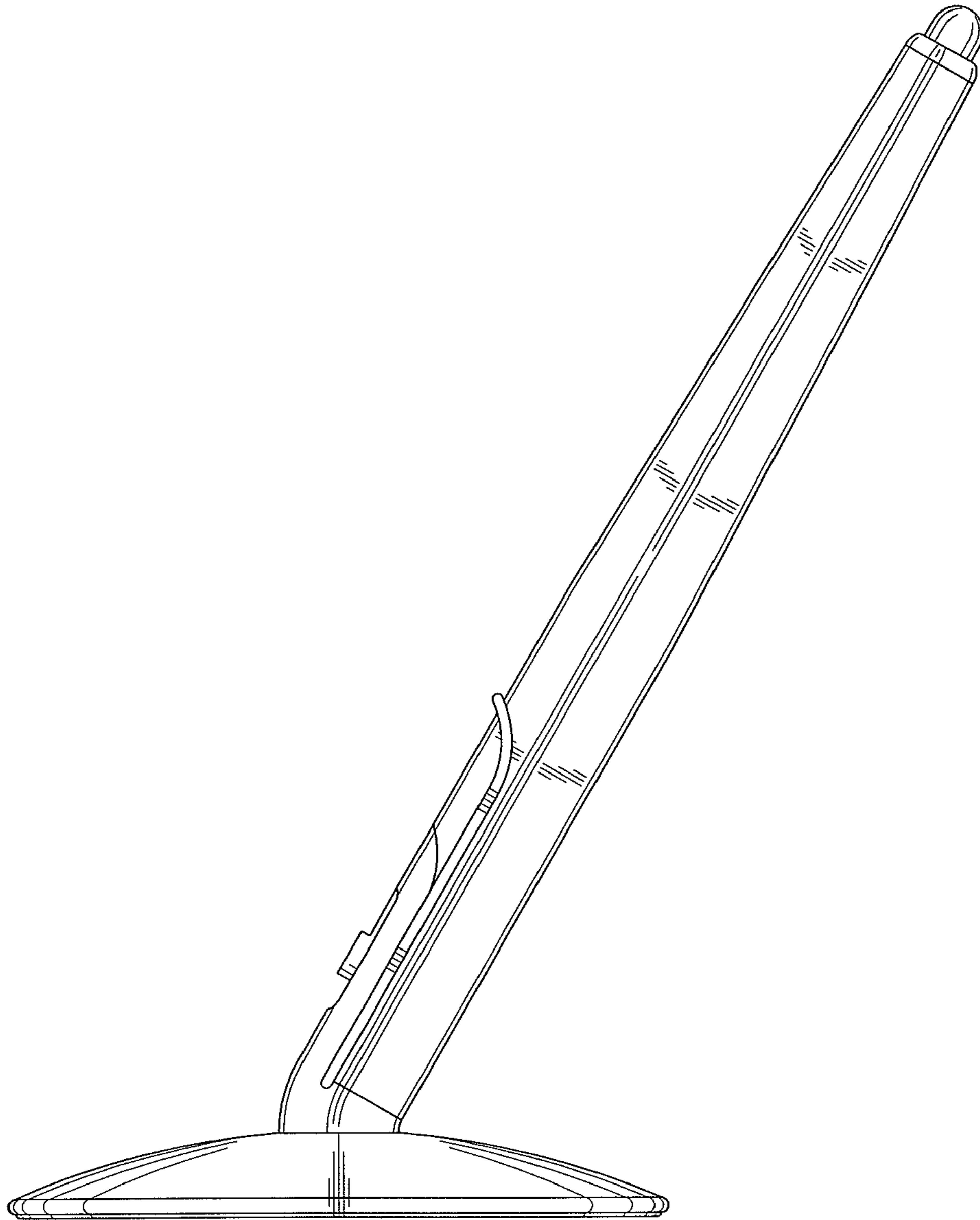


FIG.5

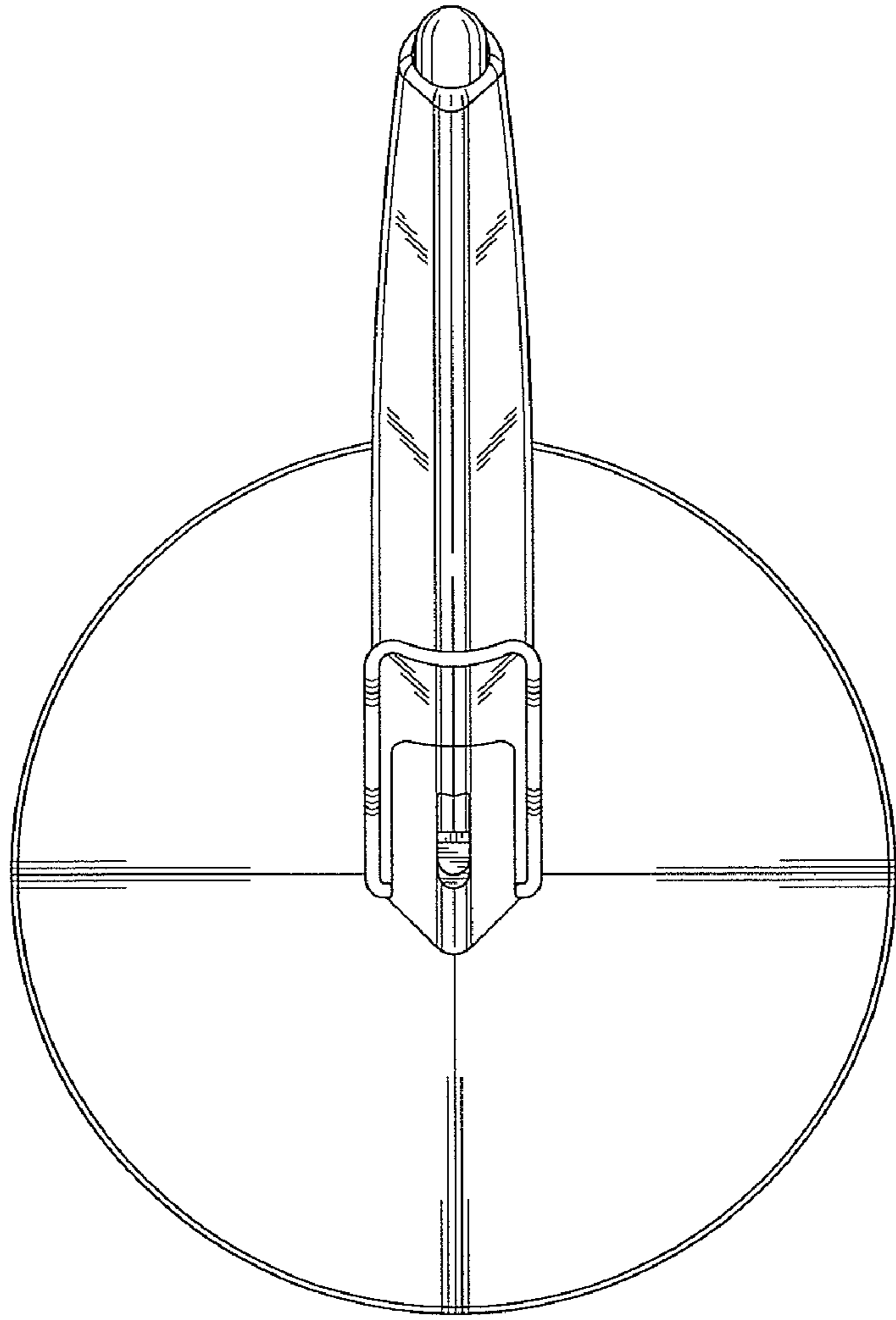


FIG.6

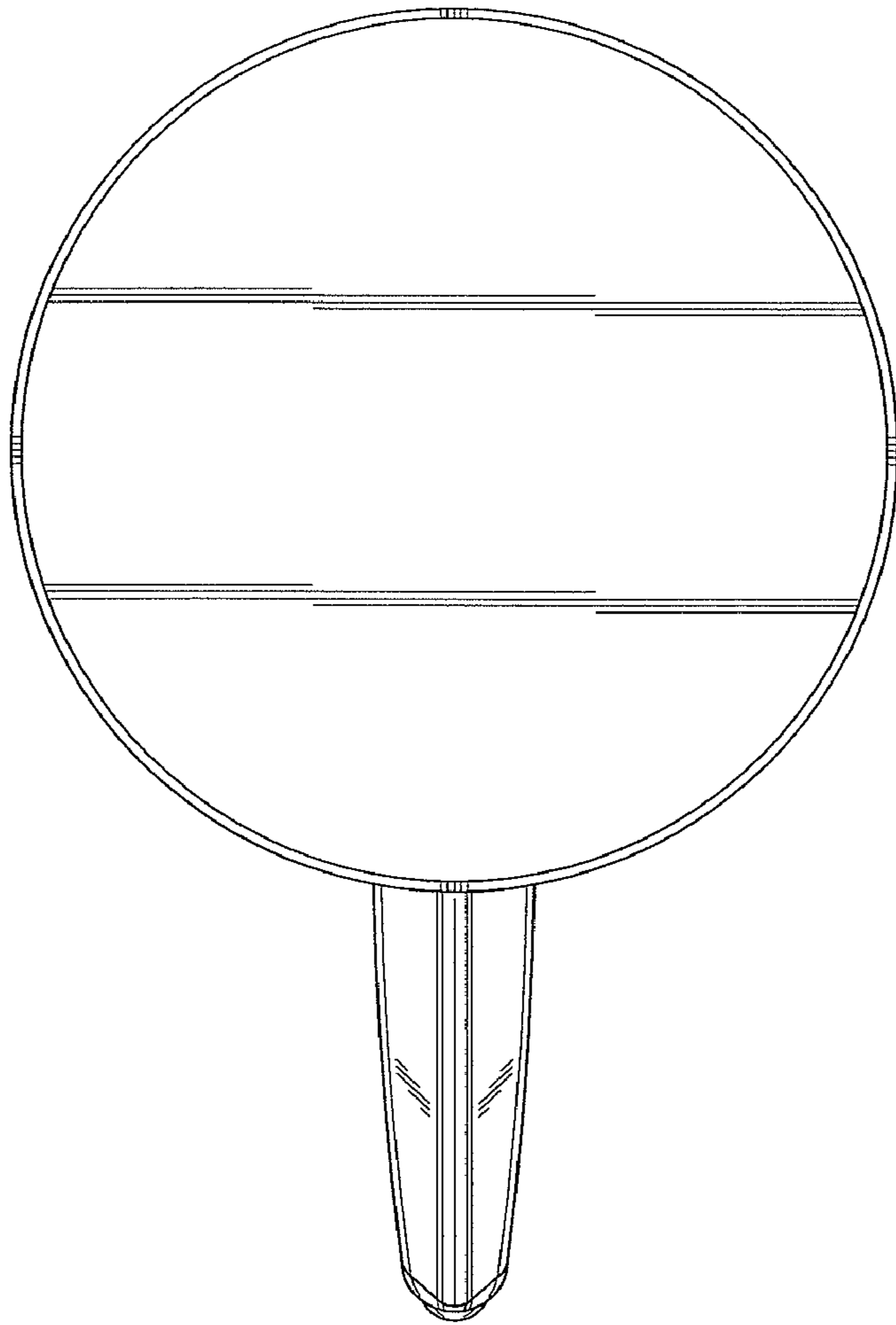


FIG. 7

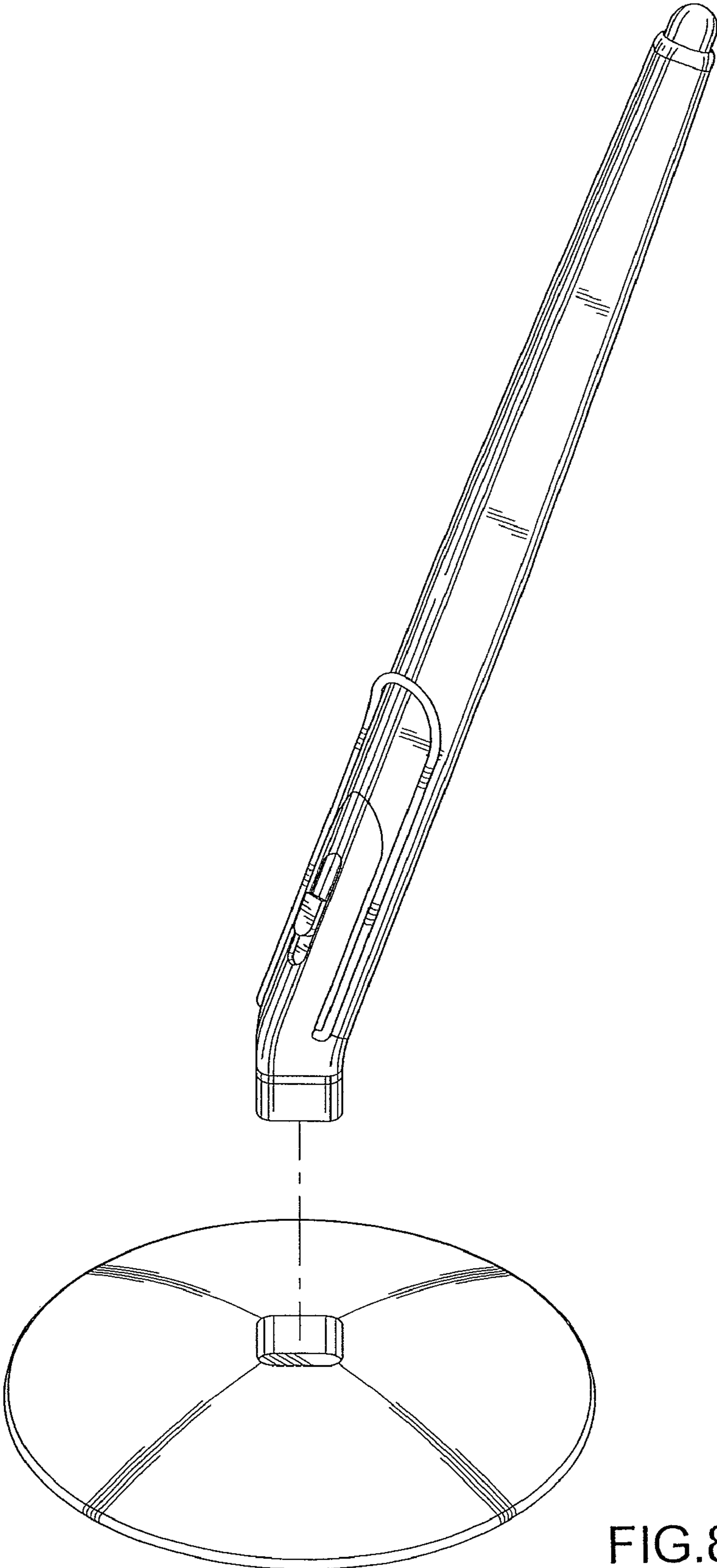


FIG.8

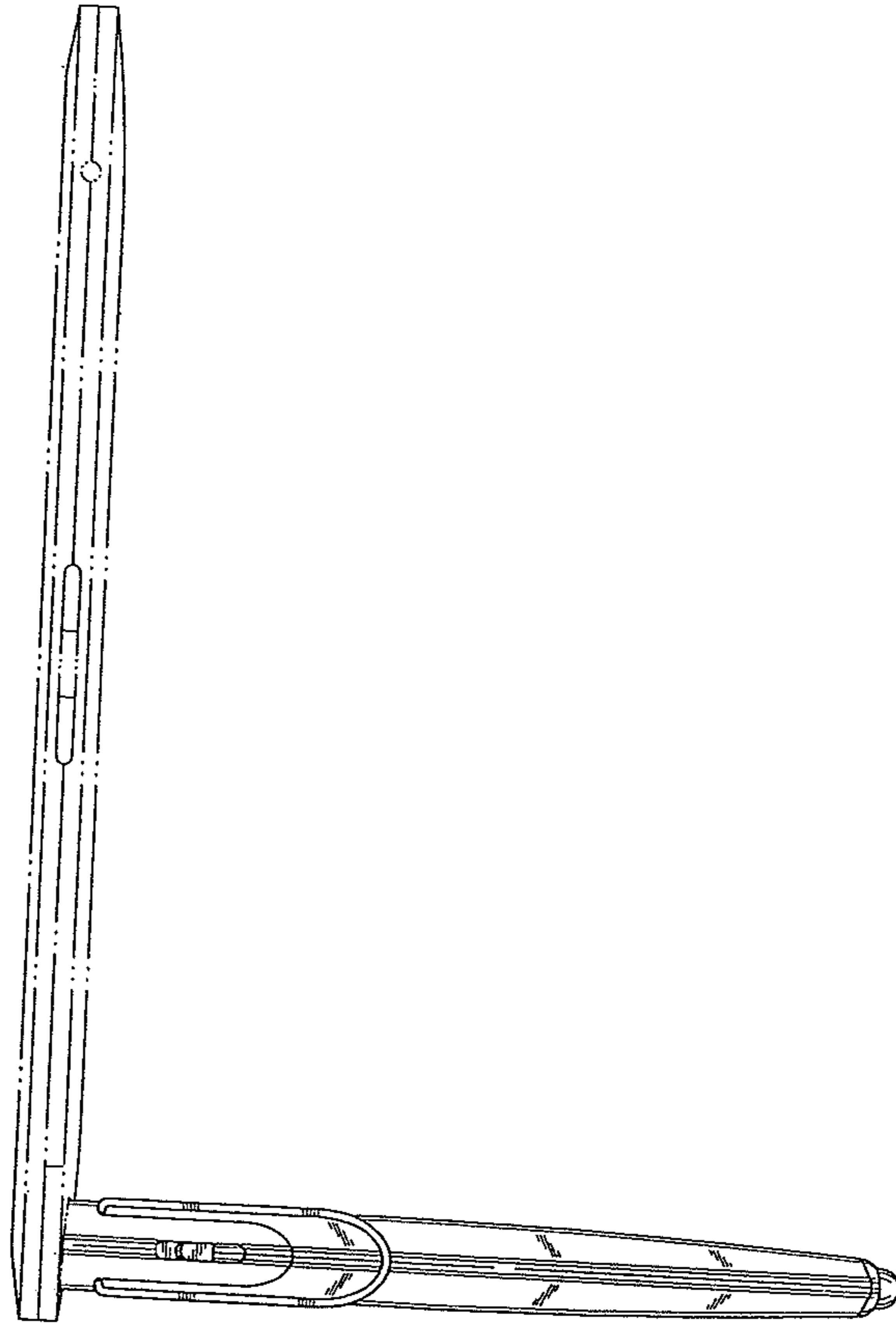


FIG.9