



US00D670699S

(12) **United States Design Patent**
Sato

(10) **Patent No.:** **US D670,699 S**

(45) **Date of Patent:** **** Nov. 13, 2012**

(54) **INPUT PEN FOR PROJECTOR**

(75) Inventor: **So Sato**, Chiyoda-Ku (JP)

(73) Assignee: **Mitsubishi Electric Corporation**,
Tokyo (JP)

(**) Term: **14 Years**

(21) Appl. No.: **29/404,040**

(22) Filed: **Oct. 14, 2011**

(30) **Foreign Application Priority Data**

Jun. 7, 2011 (JP) 2011-012885

(51) **LOC (9) Cl.** **14-02**

(52) **U.S. Cl.** **D14/411**

(58) **Field of Classification Search** D8/61;
D14/411; D19/35, 36, 41-51, 54-58; 401/55,
401/99, 100, 104-107, 196, 197, 202, 208,
401/209, 213, 192, 195, 243; 708/107; 345/179,
345/173; 178/19.01; 700/94

See application file for complete search history.

(56) **References Cited**

U.S. PATENT DOCUMENTS

D230,403 S * 2/1974 Englund D14/431
D327,476 S * 6/1992 Valls et al. D14/411
D352,703 S * 11/1994 Mitcham et al. D14/411
D508,528 S * 8/2005 Shimizu D19/48

D584,355 S * 1/2009 Hidaka et al. D19/51
D595,718 S * 7/2009 Richter et al. D14/411
D623,187 S * 9/2010 Cacioppo et al. D14/411
D631,477 S * 1/2011 Cacioppo et al. D14/411
D641,755 S * 7/2011 Rashid et al. D14/411
D647,562 S * 10/2011 Chu D19/48
2007/0274765 A1 * 11/2007 Brand et al. 401/108

FOREIGN PATENT DOCUMENTS

JP 1131466 1/2002

* cited by examiner

Primary Examiner — Austin Murphy

(74) *Attorney, Agent, or Firm* — Sughrue Mion, PLLC

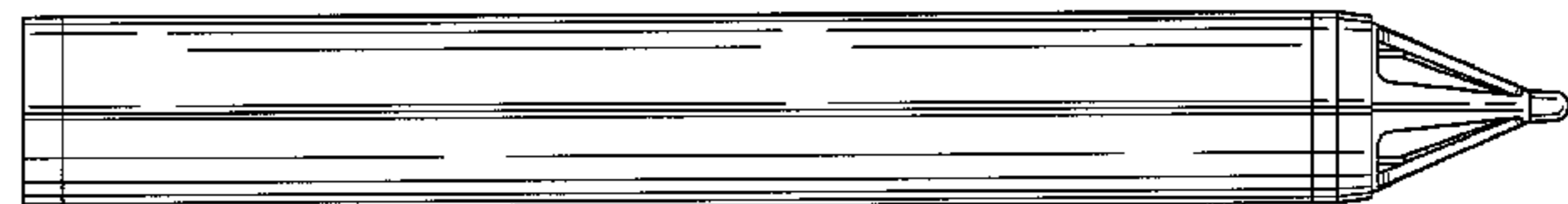
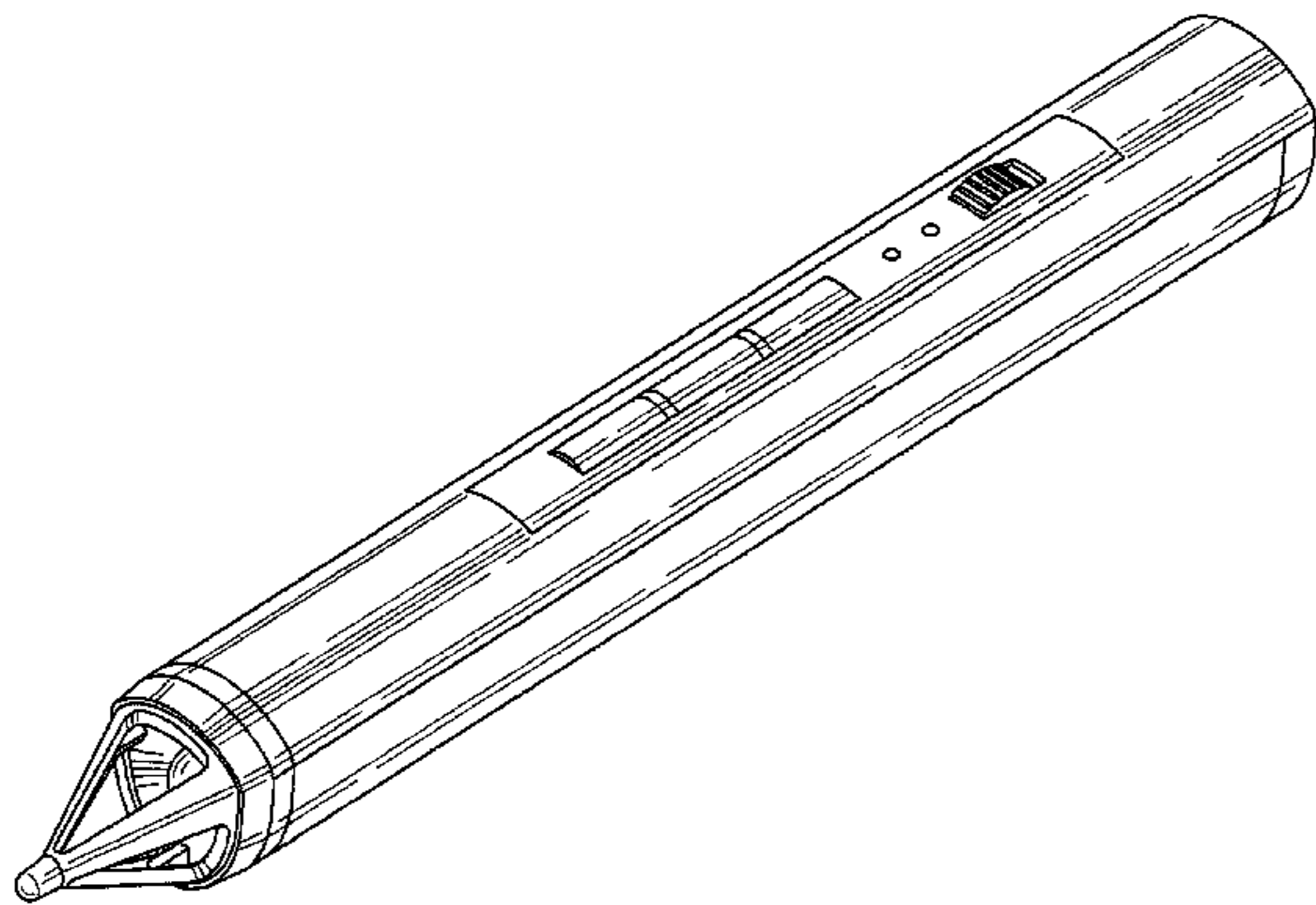
(57) **CLAIM**

The ornamental design for a input pen for projector, as shown and described.

DESCRIPTION

FIG. 1 is a front, bottom and left side perspective view of an input pen for projector, showing my new design;
FIG. 2 is a front elevational view thereof;
FIG. 3 is a rear elevational view thereof;
FIG. 4 is a top plan view thereof;
FIG. 5 is a bottom plan view thereof;
FIG. 6 is a left side elevational view thereof;
FIG. 7 is a right side elevational view thereof; and,
FIG. 8 is a cross-sectional view thereof; taken along line 8-8 of FIG. 6, with the internal system omitted.

1 Claim, 4 Drawing Sheets



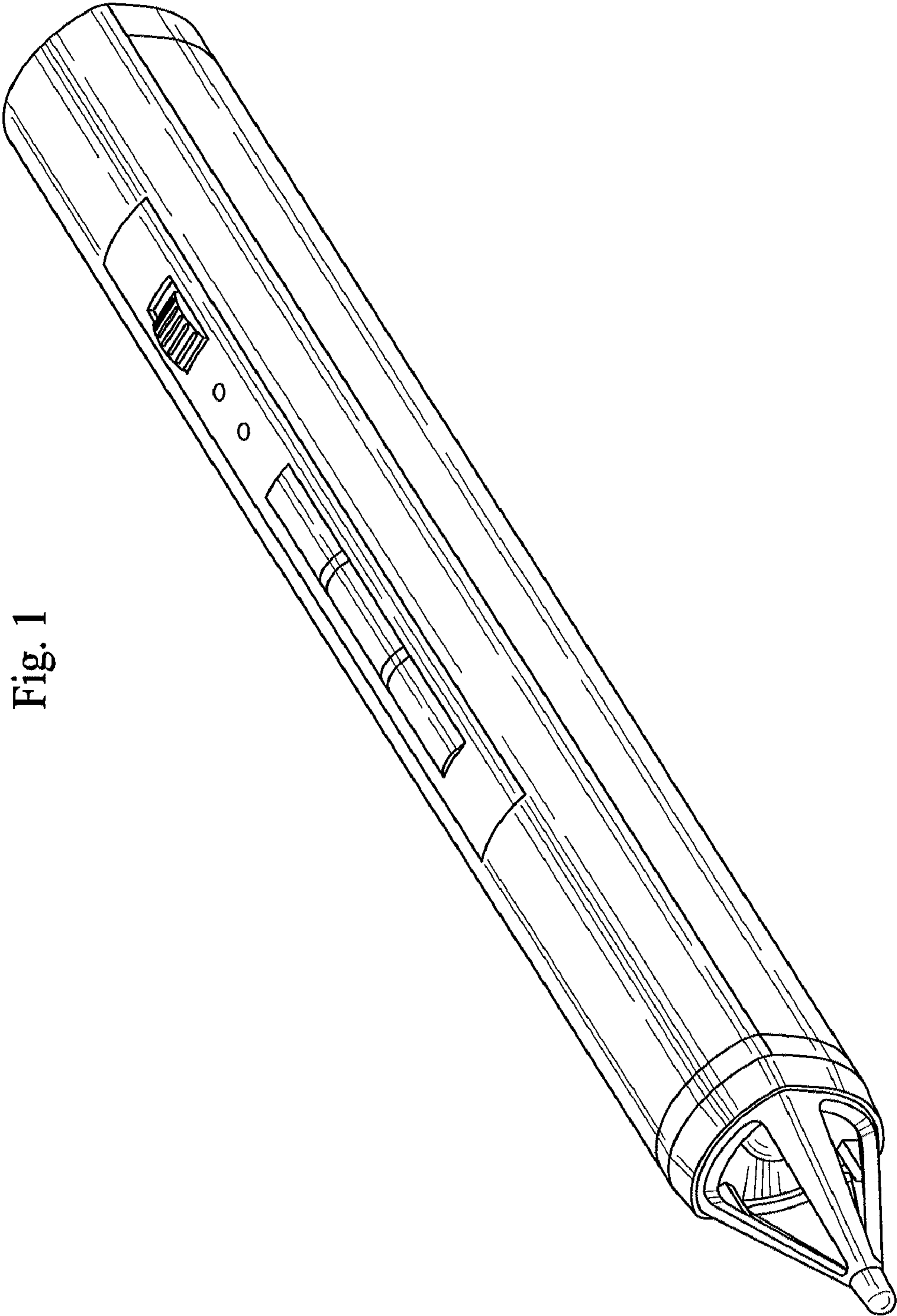


Fig. 1

Fig. 2

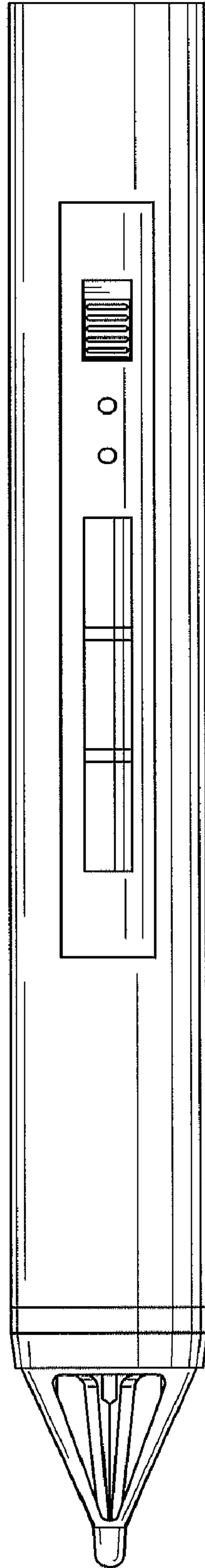


Fig. 3

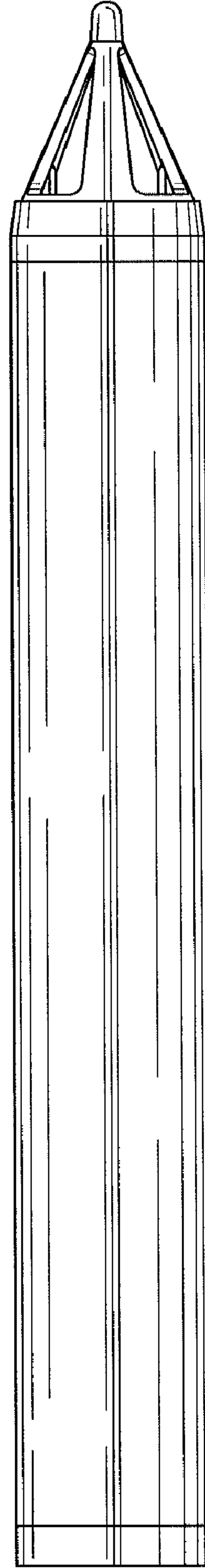


Fig. 4

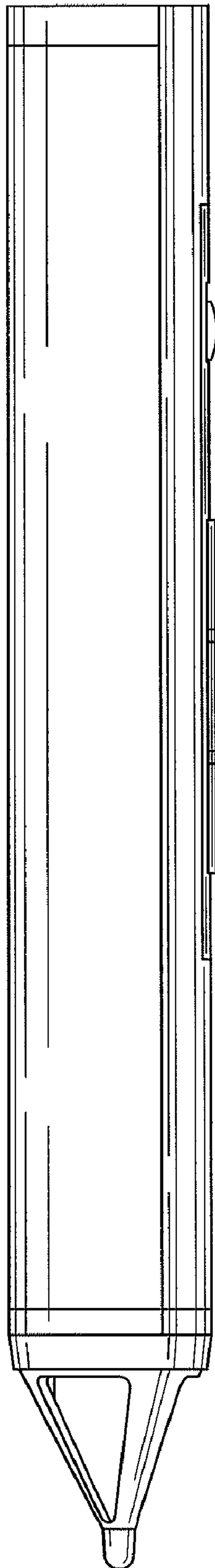


Fig. 5

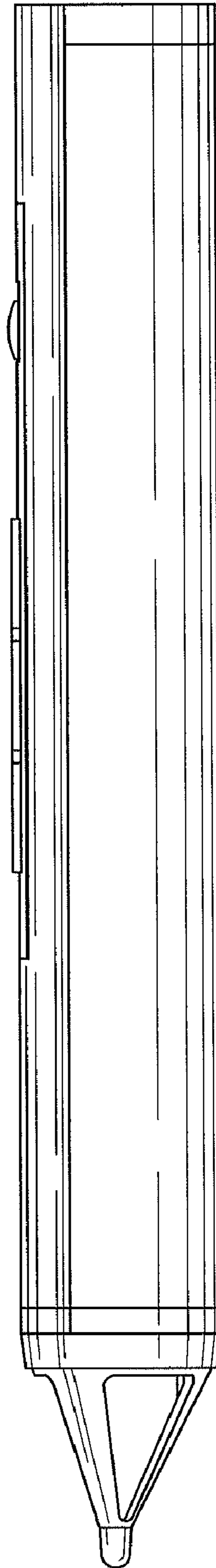


Fig. 7

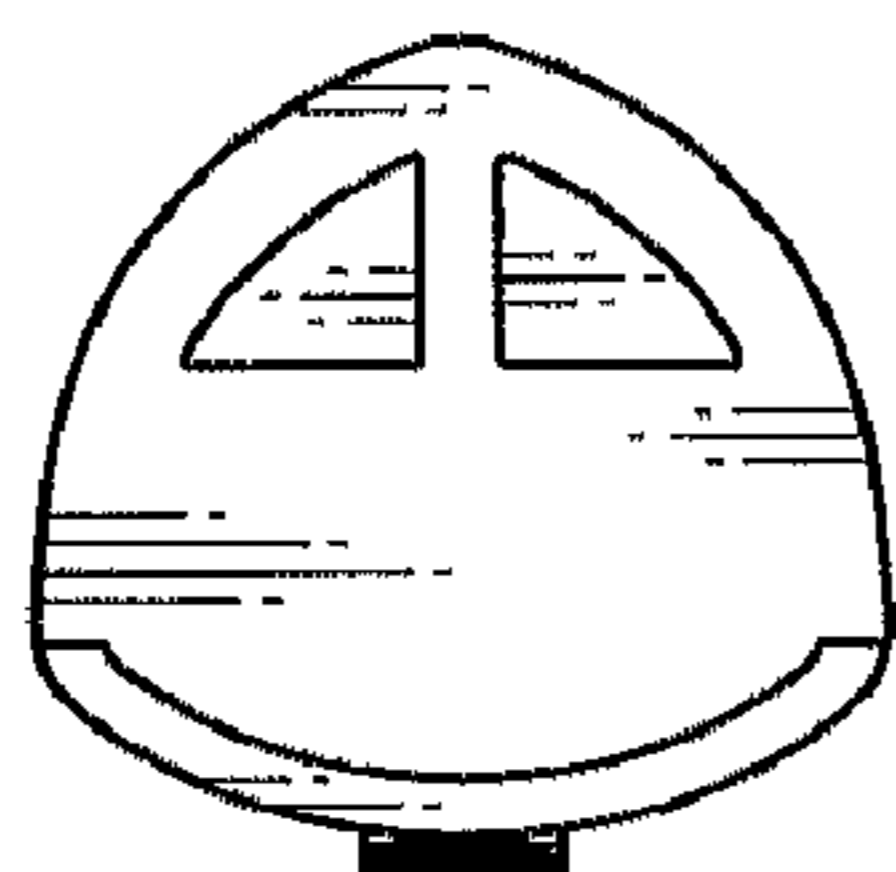


Fig. 6

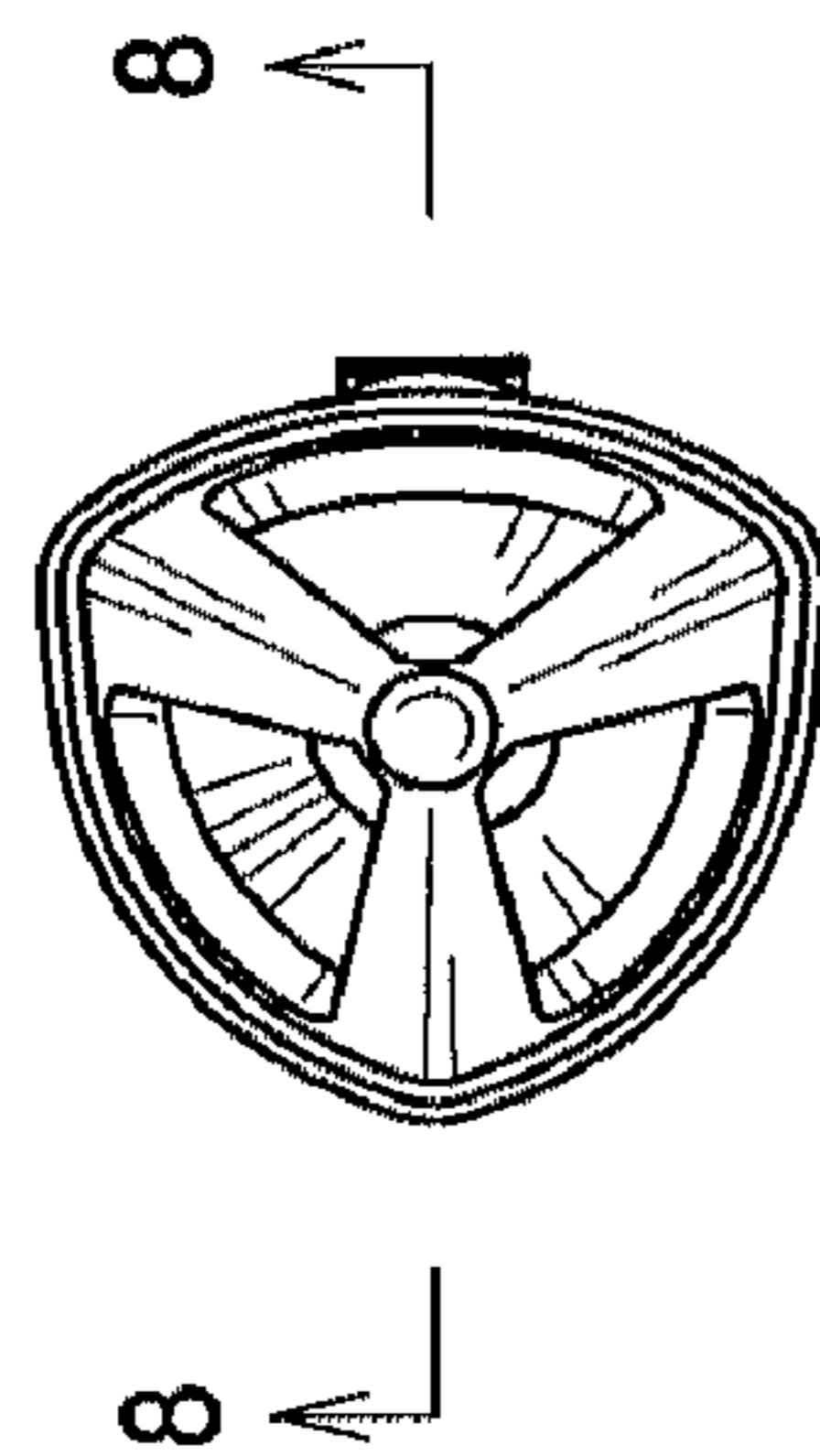


Fig. 8

