



US00D670695S

(12) **United States Design Patent**
Li

(10) **Patent No.:** **US D670,695 S**

(45) **Date of Patent:** **** Nov. 13, 2012**

(54) **HANDHELD DEVICE**

(75) Inventor: **Chun-Hsing Li**, Taipei (TW)

(73) Assignee: **Getac Technology Corporation**,
Hsinchu (TW)

(**) Term: **14 Years**

(21) Appl. No.: **29/394,122**

(22) Filed: **Jun. 13, 2011**

(30) **Foreign Application Priority Data**

Mar. 17, 2011 (CN) 2011 3 0057018

(51) **LOC (9) Cl.** **14-02**

(52) **U.S. Cl.** **D14/341**

(58) **Field of Classification Search** D14/341-347,
D14/137, 138, 138.1, 138 A, 138 AA, 138 R,
D14/138 AB, 138 AC, 138 AD, 138 C, 138 G,
D14/496, 203.1, 203.3, 203.4, 203.5, 203.7,
D14/426, 427, 432, 429, 129, 130, 420, 439-441,
D14/448, 125, 147, 156, 218, 247-248, 250,
D14/389, 388, 315-318; D10/65, 104; D18/6-7;
D21/324, 329, 330; D19/26, 59, 60; 455/556.1,
455/556.2, 566, 575.1, 90.3; 379/433.04,
379/433.01, 433.06, 916; 345/169, 173,
345/901, 905; 361/679.26, 679.27, 679.3,
361/679.55, 679.56

See application file for complete search history.

(56) **References Cited**

U.S. PATENT DOCUMENTS

D373,576 S *	9/1996	Liggett	D14/341
D434,034 S *	11/2000	Burke et al.	D14/341
D440,966 S *	4/2001	Ronzani	D14/344
D460,756 S *	7/2002	Allen et al.	D14/341
D482,359 S *	11/2003	Skillman et al.	D14/341
D490,419 S *	5/2004	Shiue et al.	D14/341

D559,859 S *	1/2008	Kim	D14/496
D587,260 S *	2/2009	Marsh et al.	D14/341
D620,003 S *	7/2010	Chiang et al.	D14/341
D622,721 S *	8/2010	Wood et al.	D14/341
D623,183 S *	9/2010	Hong et al.	D14/341
D629,772 S *	12/2010	Mo et al.	D14/138 G
D633,068 S *	2/2011	Chen et al.	D14/138 G
D633,070 S *	2/2011	Tzeng	D14/138 G
D633,088 S *	2/2011	Liao	D14/341
D635,113 S *	3/2011	Park et al.	D14/138 G
D635,562 S *	4/2011	Fan et al.	D14/248
D638,395 S *	5/2011	Finnegan	D14/203.7
D641,751 S *	7/2011	Morton et al.	D14/341
D646,251 S *	10/2011	Park et al.	D14/138 G
D649,547 S *	11/2011	Huang	D14/341
D649,965 S *	12/2011	Chiu	D14/341
D650,766 S *	12/2011	Hong	D14/138 G
D654,049 S *	2/2012	Chung	D14/138 G
D654,460 S *	2/2012	Kim et al.	D14/138 G
D654,899 S *	2/2012	Jung	D14/138 G
D655,287 S *	3/2012	de Jong et al.	D14/341
D659,563 S *	5/2012	Groener et al.	D10/65
D662,044 S *	6/2012	Lemelman et al.	D13/103
D663,297 S *	7/2012	de Jong et al.	D14/341

* cited by examiner

Primary Examiner — Barbara Fox

(57) **CLAIM**

The ornamental design for a handheld device, as shown and described.

DESCRIPTION

FIG. 1 is a perspective view of a handheld device showing my new design;

FIG. 2 is a front elevational view thereof;

FIG. 3 is a right side elevational view thereof;

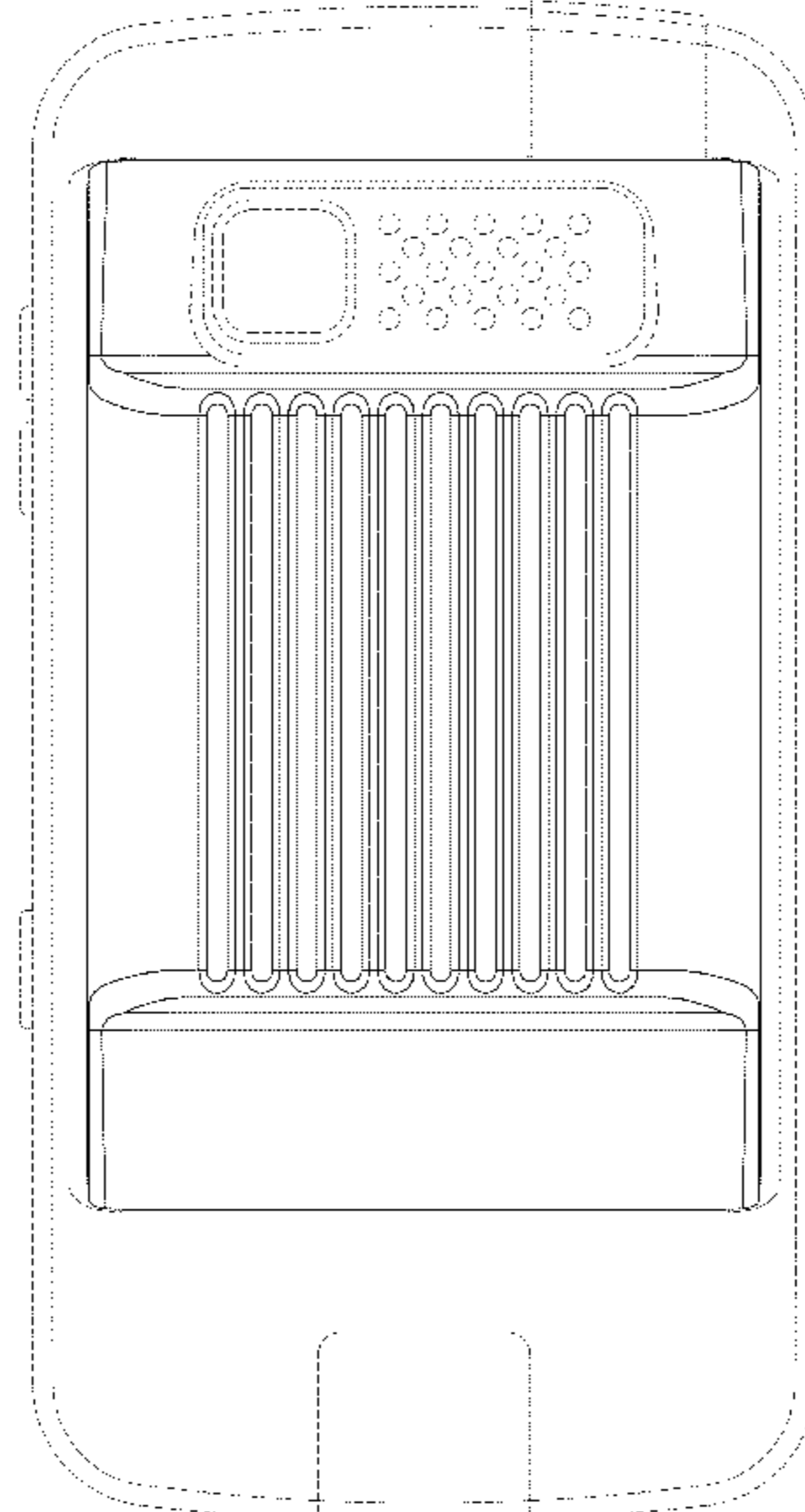
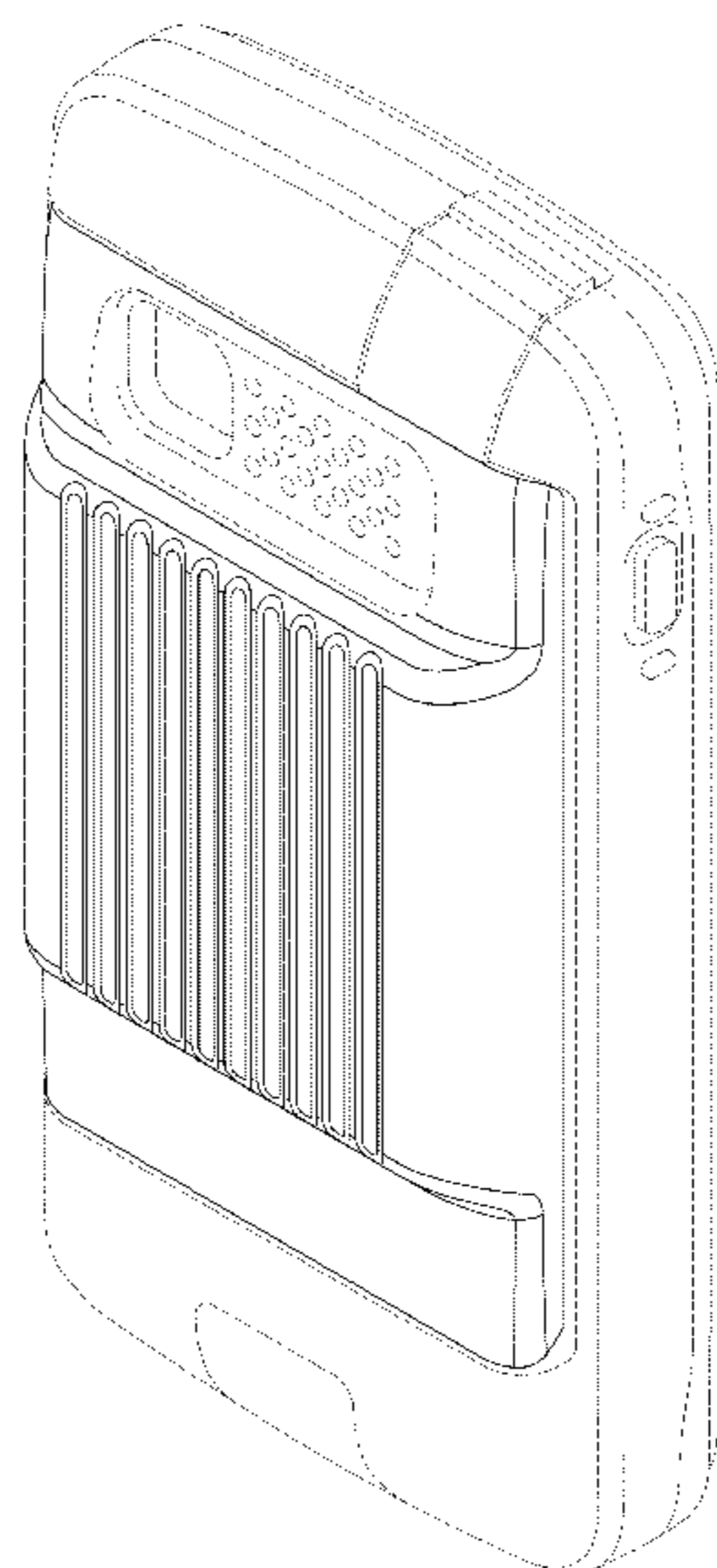
FIG. 4 is a left side elevational view thereof;

FIG. 5 is a top plan view thereof; and,

FIG. 6 is a bottom plan view thereof.

The broken lines shown in the drawings represent portions of the handheld device that form no part of the claimed design.

1 Claim, 4 Drawing Sheets



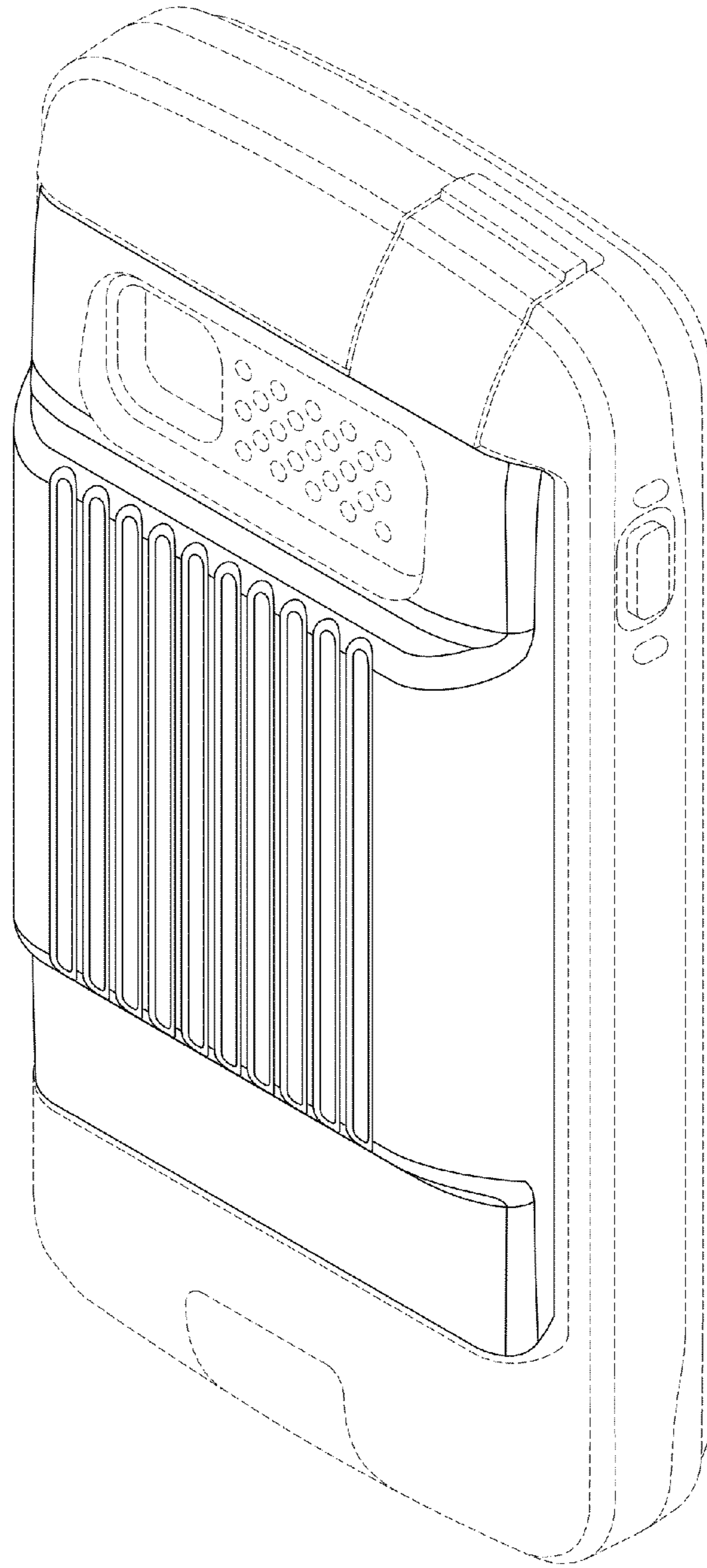


FIG.1

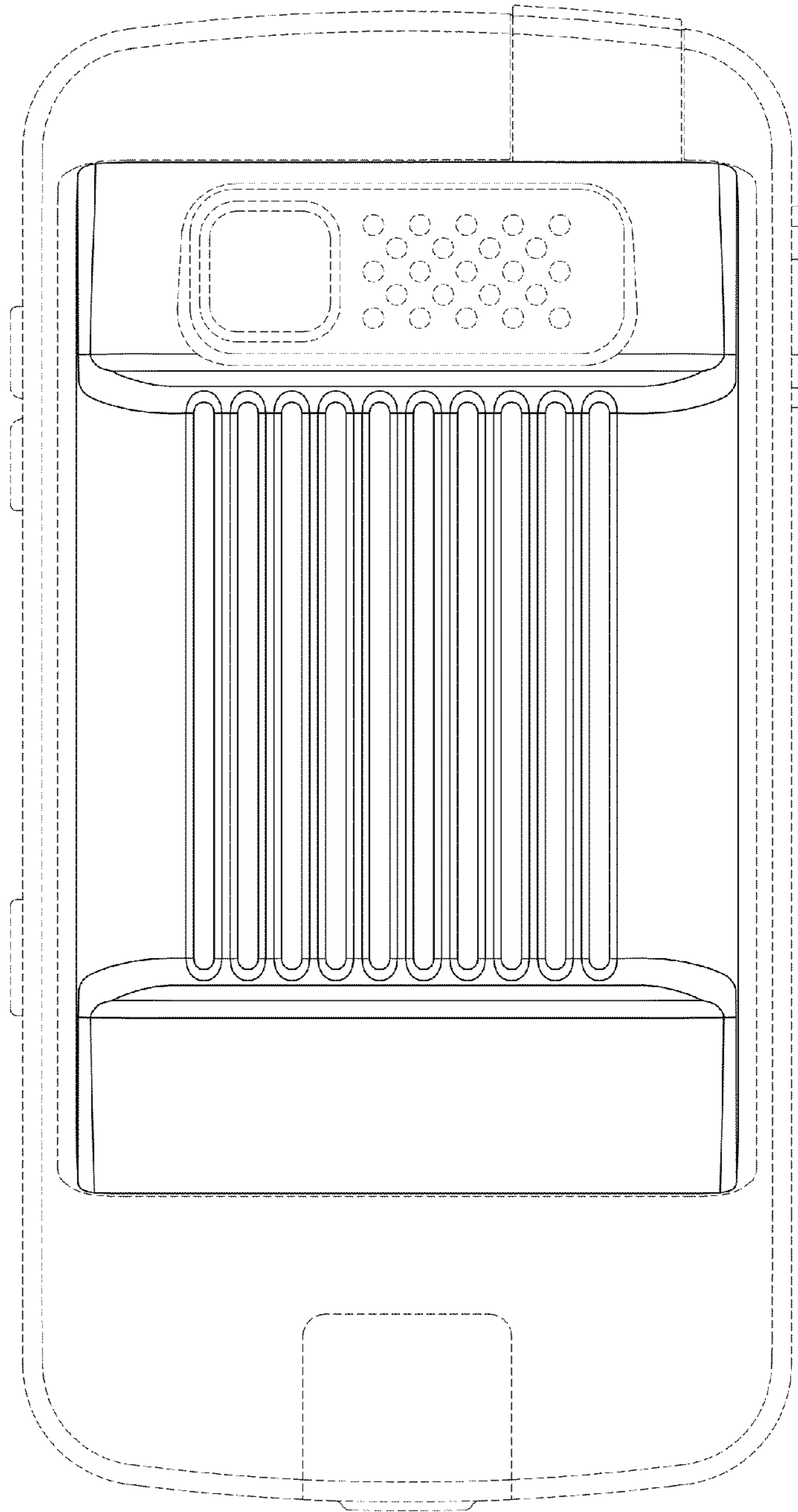


FIG.2

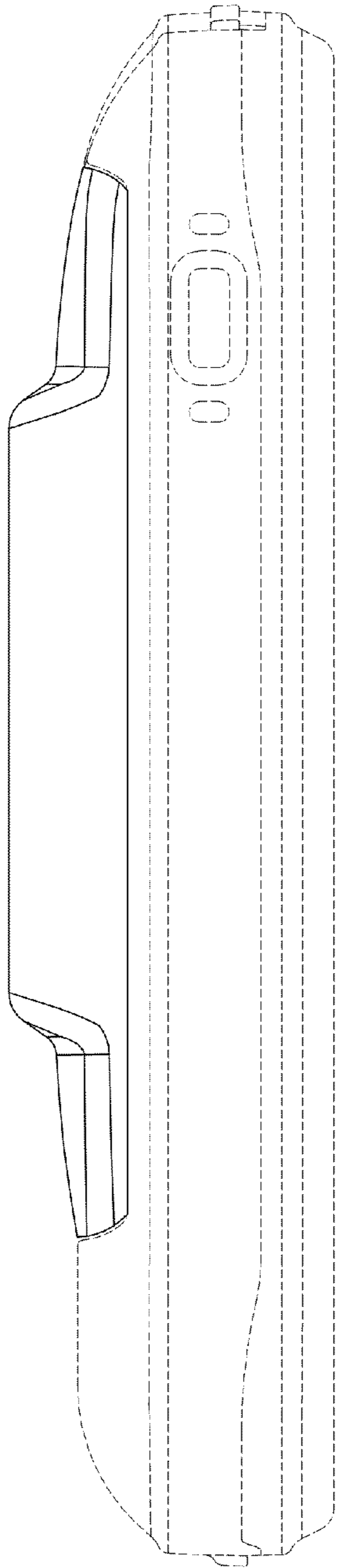


FIG.3

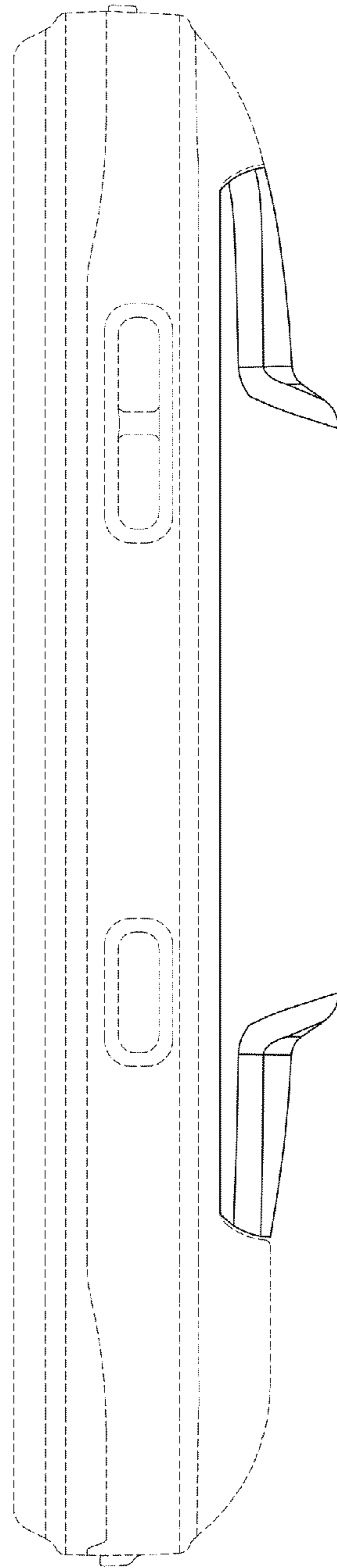


FIG.4

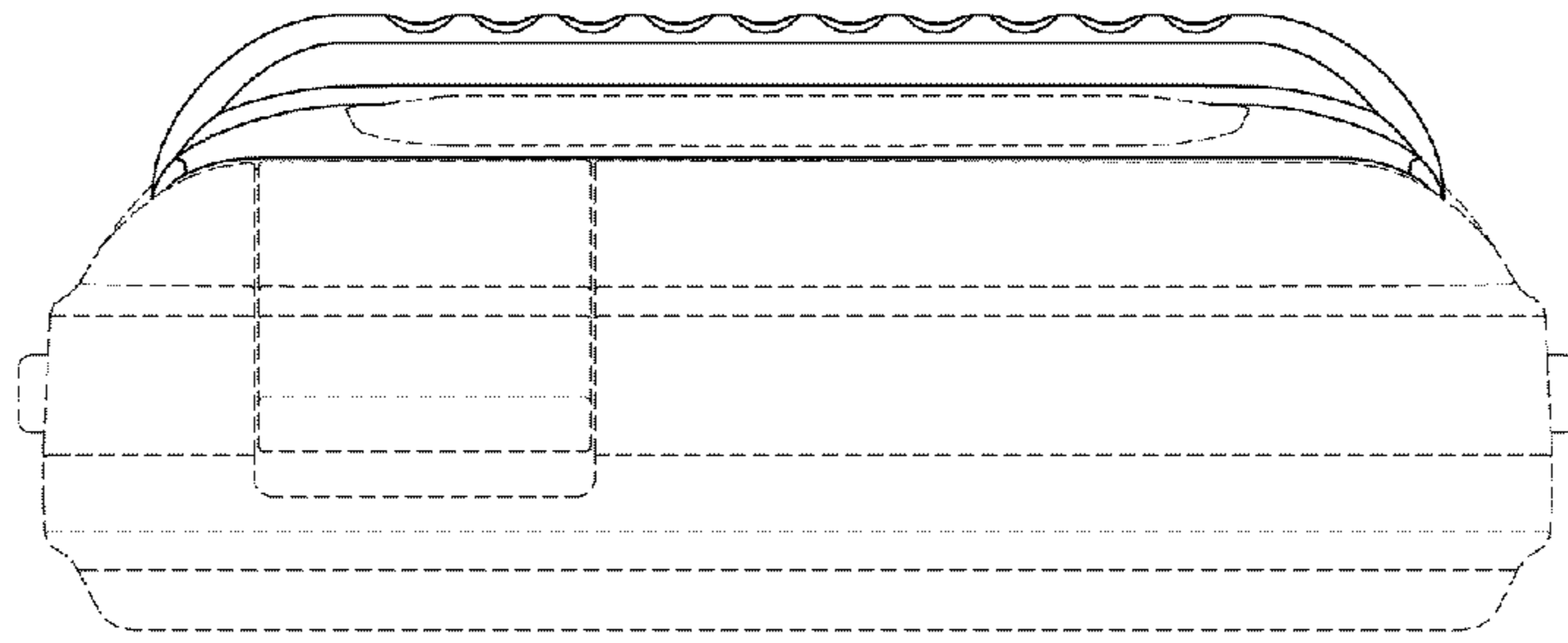


FIG.5

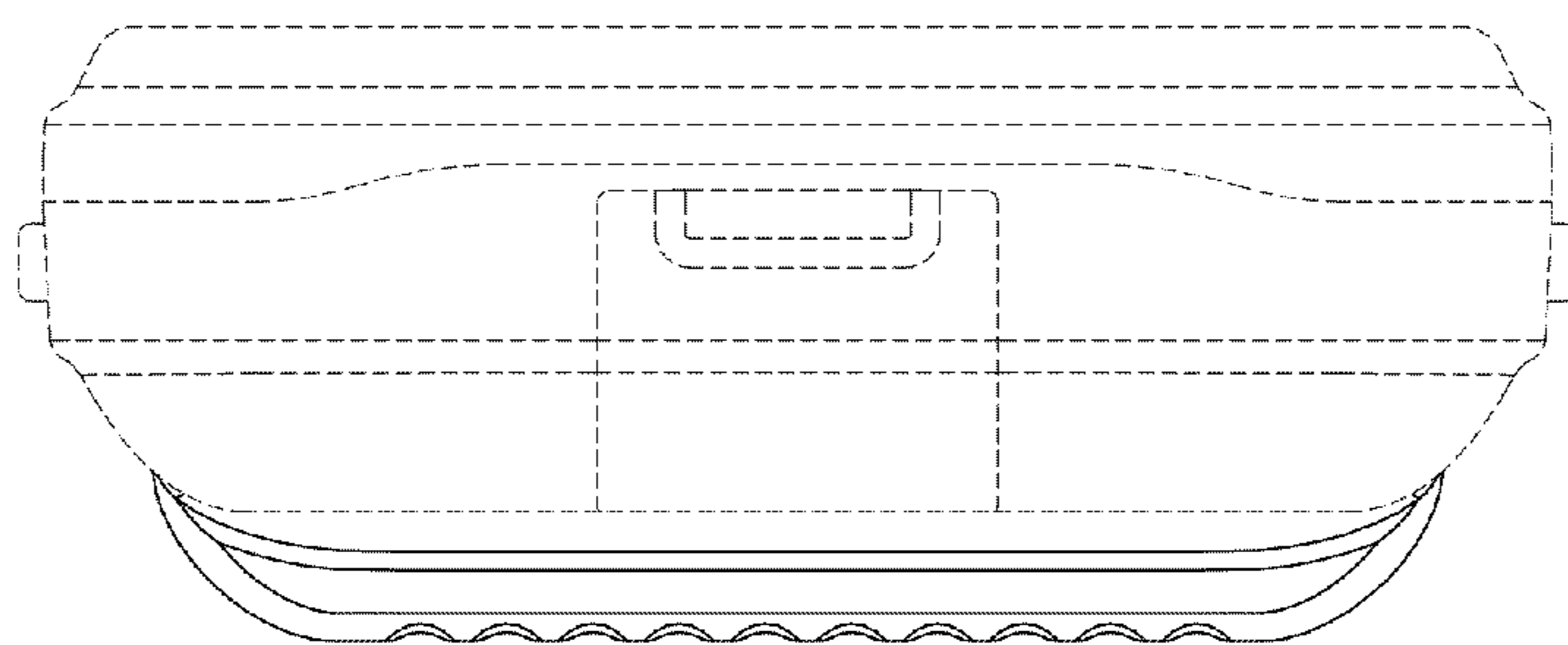


FIG.6