



US00D670691S

(12) **United States Design Patent**
Novak

(10) **Patent No.:** **US D670,691 S**

(45) **Date of Patent:** **** Nov. 13, 2012**

(54) **CELL PHONE HOLDER**

(75) Inventor: **Thomas Novak**, Libertyville, IL (US)

(73) Assignee: **Boss Manufacturing Company**,
Kewanee, IL (US)

(**) Term: **14 Years**

(21) Appl. No.: **29/411,118**

(22) Filed: **Jan. 17, 2012**

(51) **LOC (9) Cl.** **14-03**

(52) **U.S. Cl.** **D14/253**

(58) **Field of Classification Search** D14/140,
D14/217, 224, 224.1, 229, 240, 243, 250-253,
D14/299, 344, 434, 447, 451-452, 483, 496;
D13/108; 361/679.41; 439/534; 320/115,
320/116, 107; D8/355, 363; D12/415, 418;
379/449, 455, 165; 248/122.1, 127, 157,
248/205.8, 206.2, 279.1, 205.5, 309.1, 309.3,
248/352; D3/201, 218, 269, 273, 301; D11/79;
63/26

See application file for complete search history.

(56) **References Cited**

U.S. PATENT DOCUMENTS

3,057,591 A * 10/1962 Weimer 248/166
D291,628 S * 9/1987 Poltere D6/310

D558,772 S * 1/2008 Derry et al. D14/447
D608,356 S * 1/2010 Peyridieu D14/253
D610,587 S * 2/2010 Bandringa D14/447
D658,189 S * 4/2012 Zhao et al. D14/447

* cited by examiner

Primary Examiner — Raphael Barkai

Assistant Examiner — Randall Gholson

(74) *Attorney, Agent, or Firm* — Barnes & Thornburg LLP;
Mark J. Nahnsen

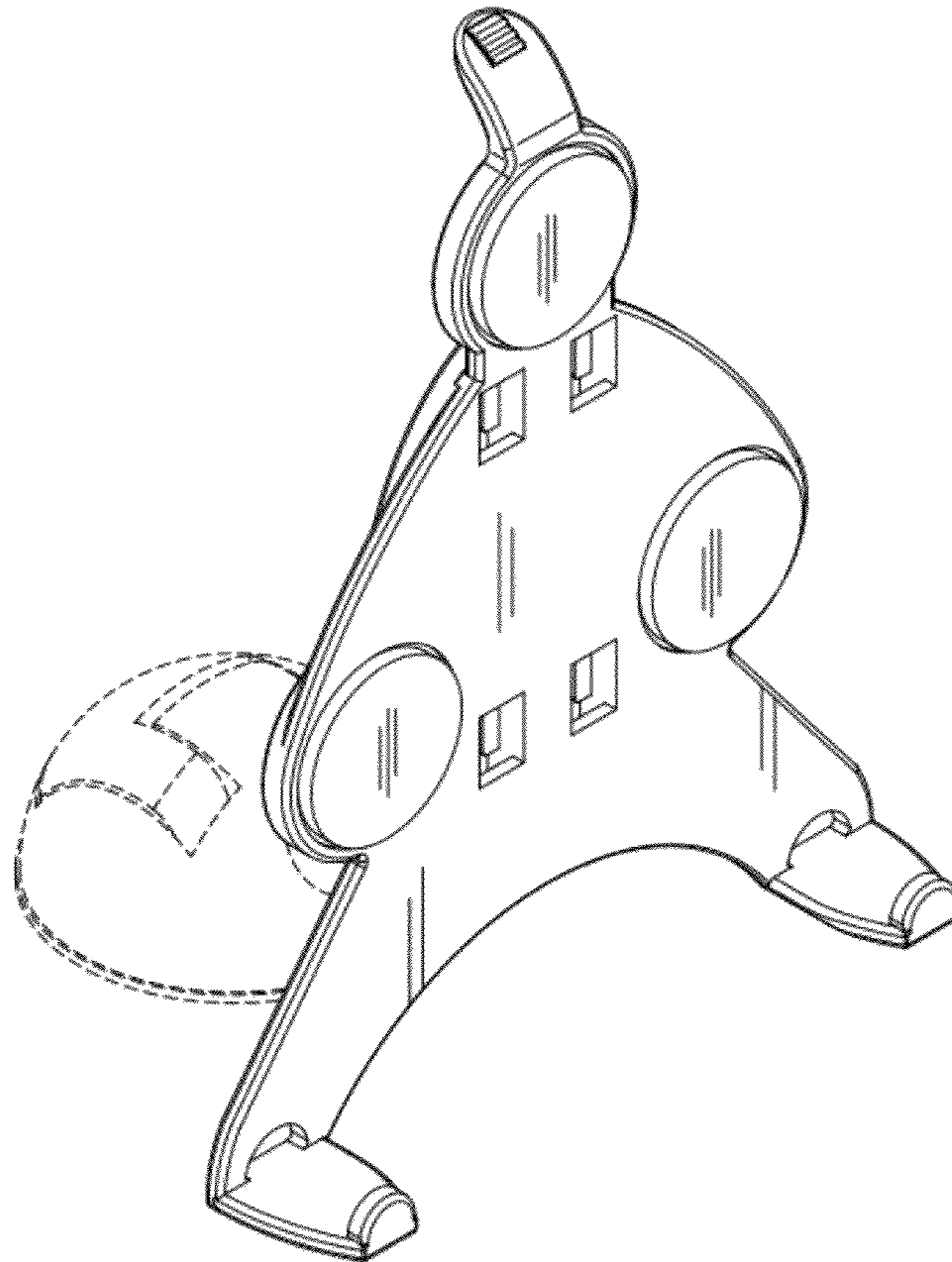
(57) **CLAIM**

The ornamental design for a cell phone holder, as shown and described.

DESCRIPTION

FIG. 1 is an isometric view of a cell phone holder;
FIG. 2 is a side view of the cell phone holder;
FIG. 3 is another side view of the cell phone holder;
FIG. 4 is a front view of the cell phone holder;
FIG. 5 is a rear view of the cell phone holder;
FIG. 6 is an aerial view of the cell phone holder; and,
FIG. 7 is a bottom view of the cell phone holder.
The portions shown in broken lines are included to show environment and form no part of the claimed design.

1 Claim, 7 Drawing Sheets



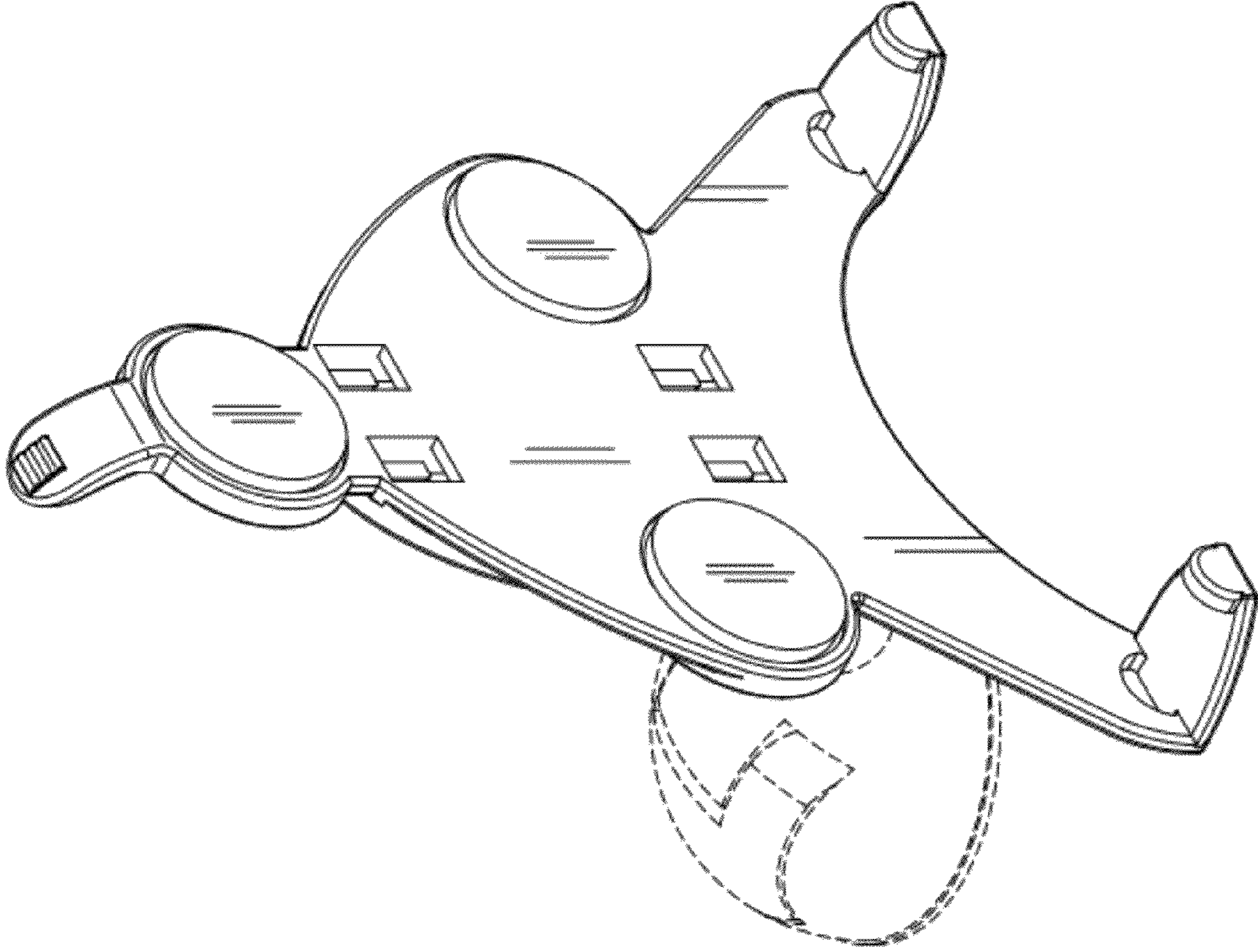


FIG. 1

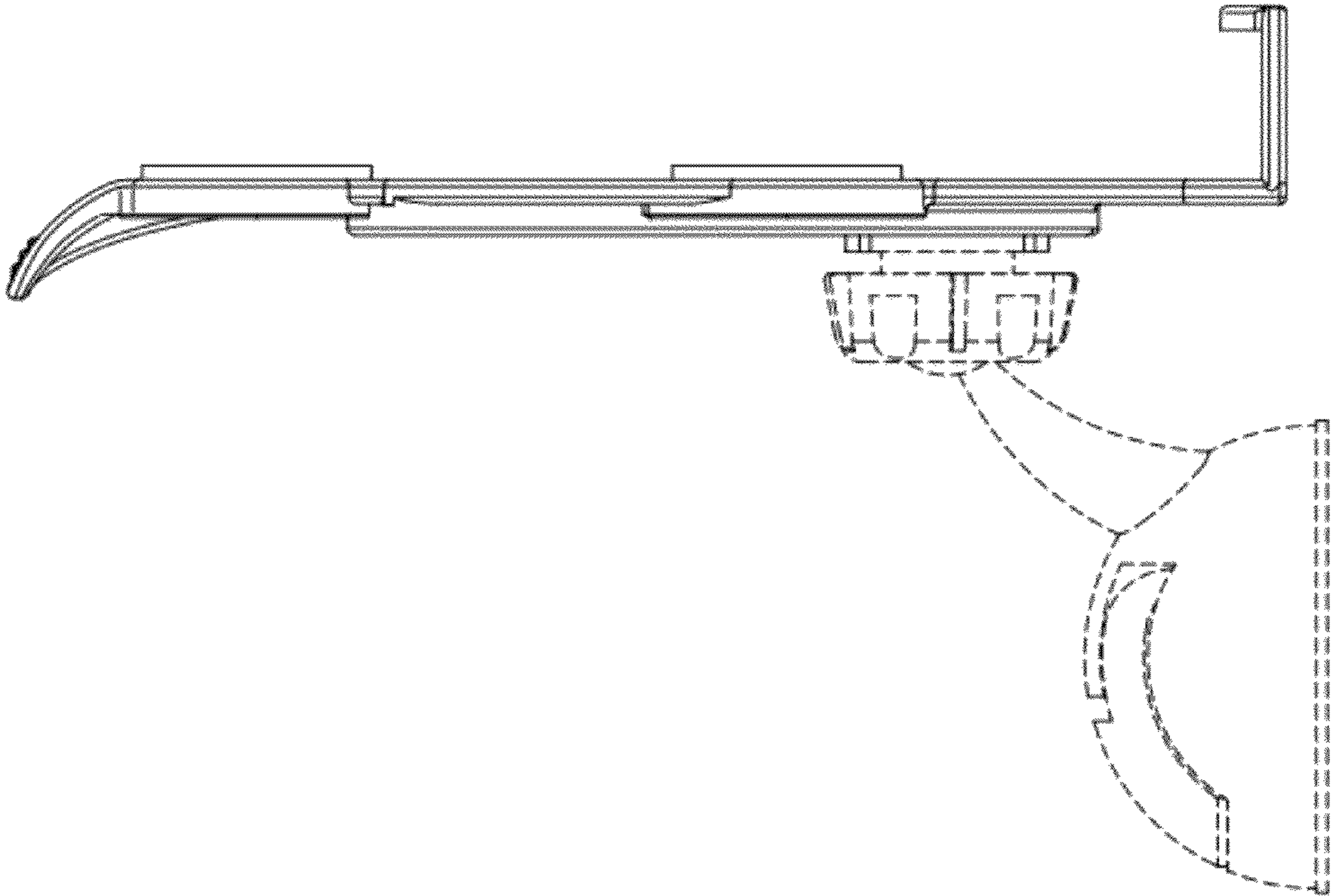


FIG. 2

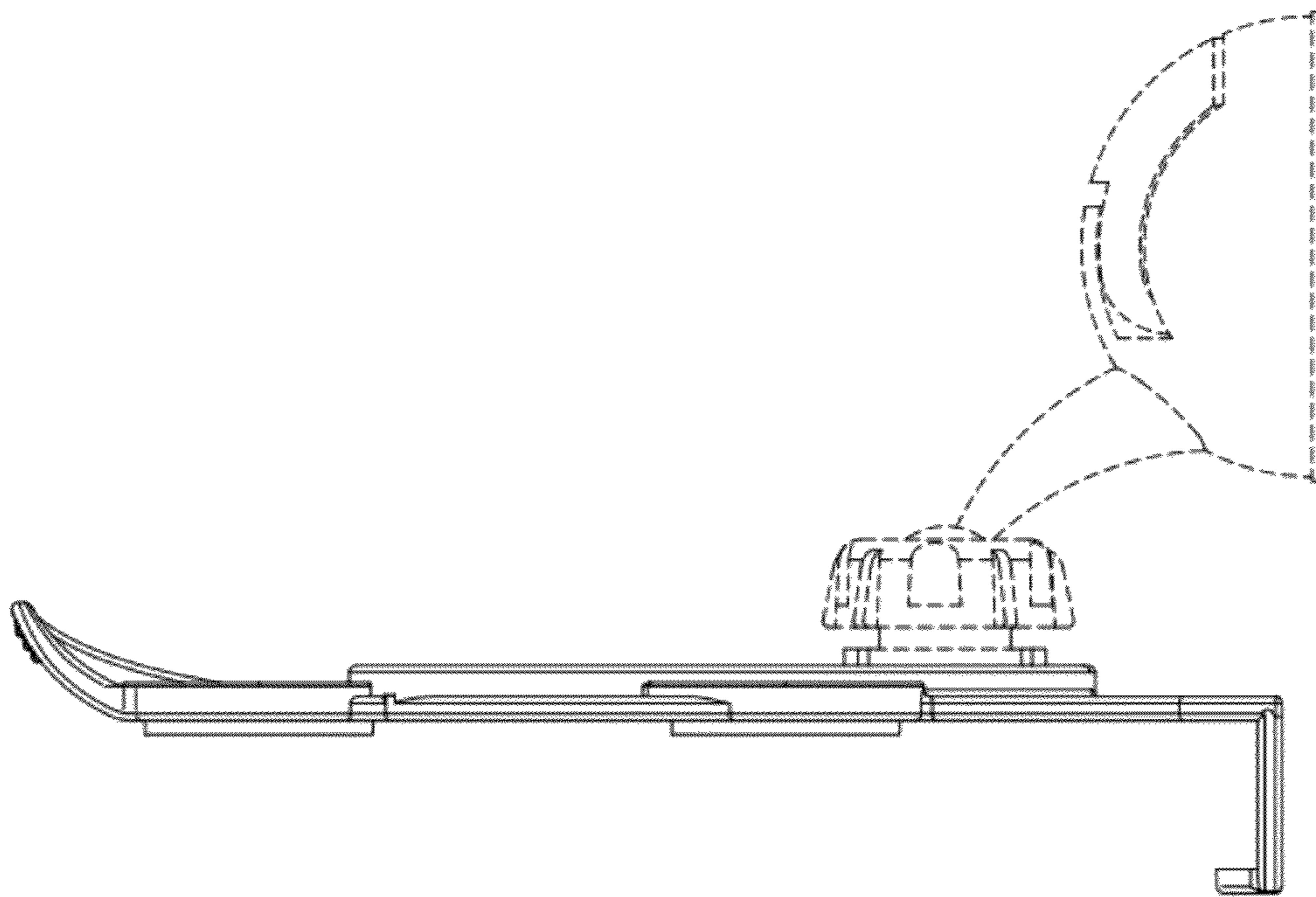


FIG. 3

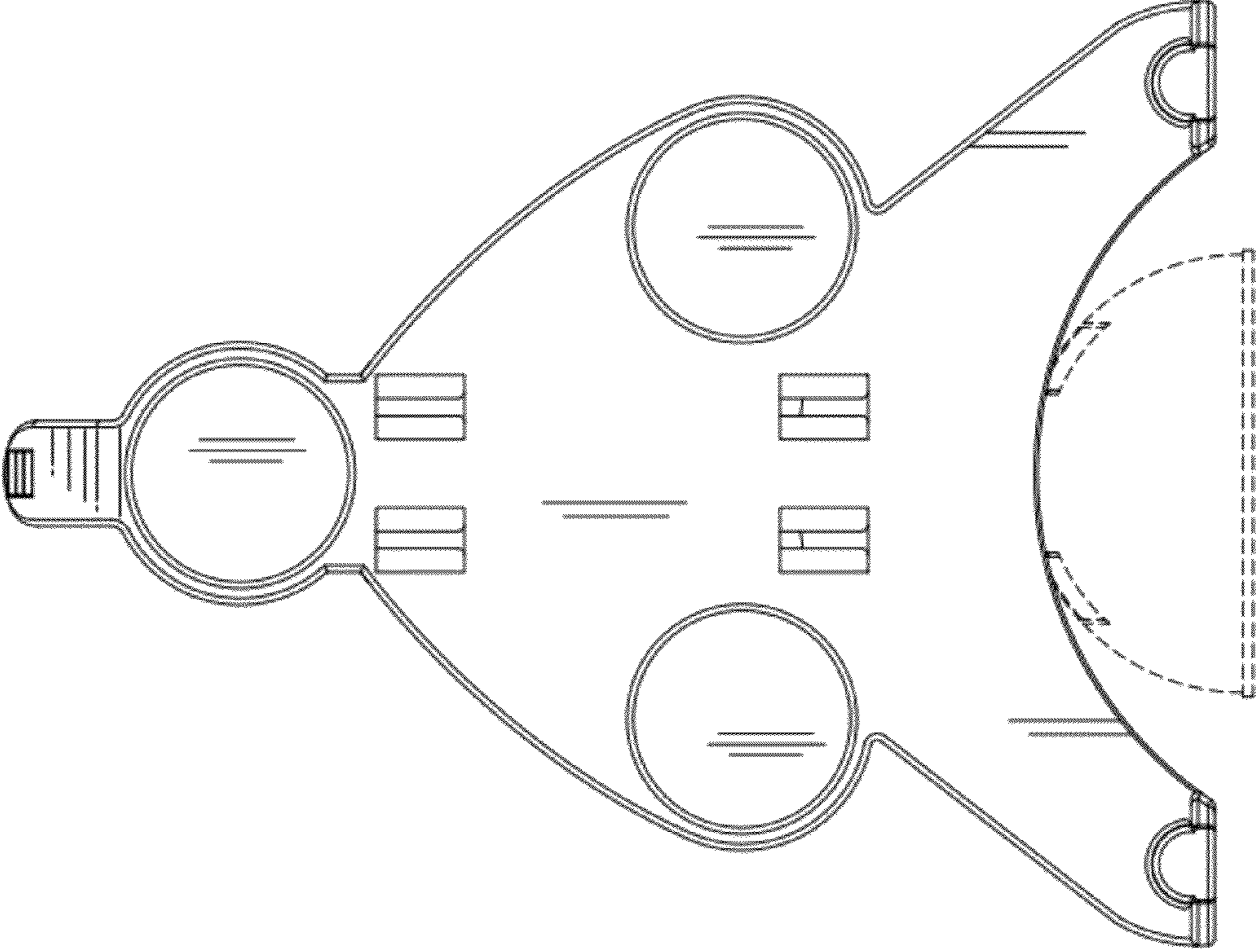


FIG. 4

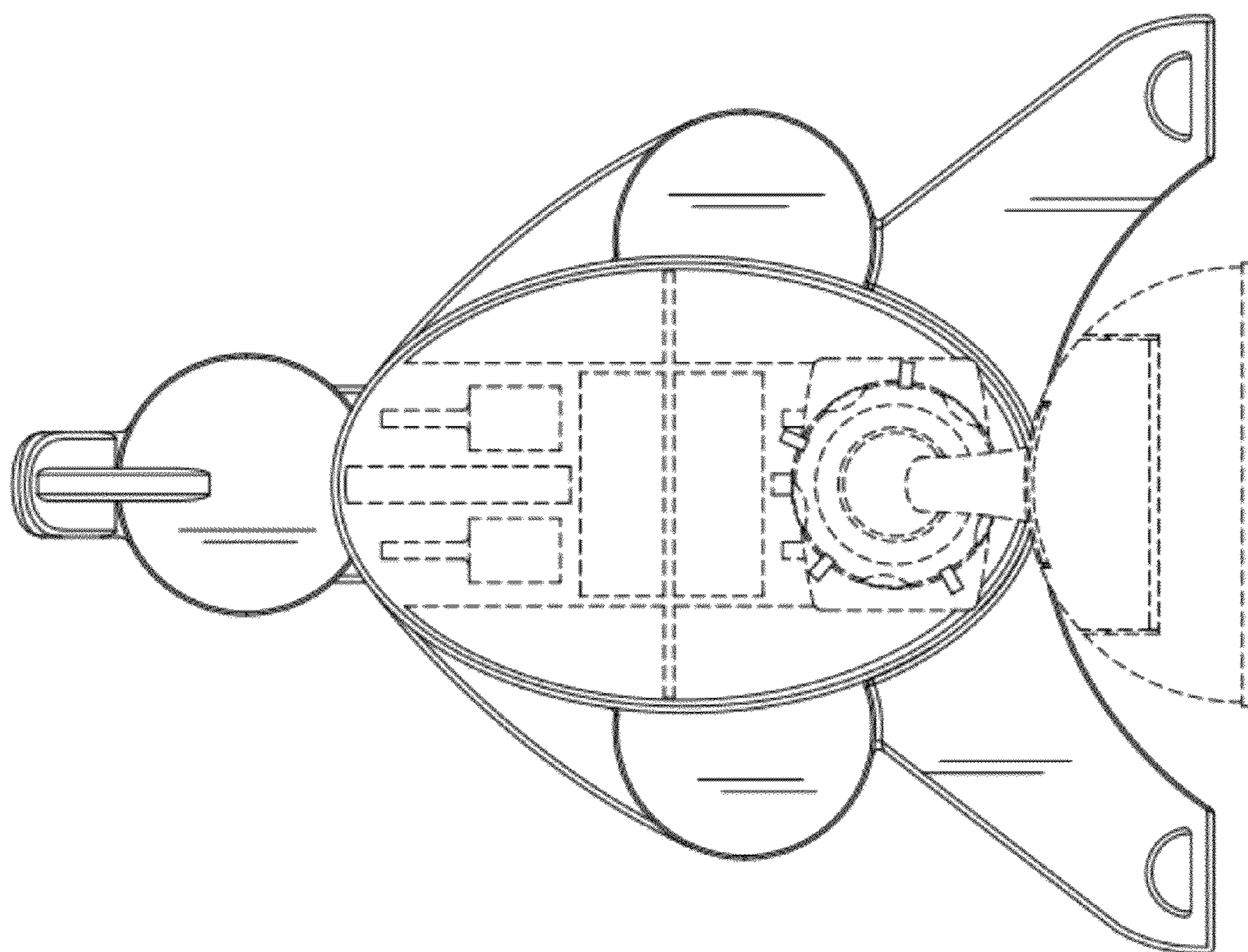


FIG. 5

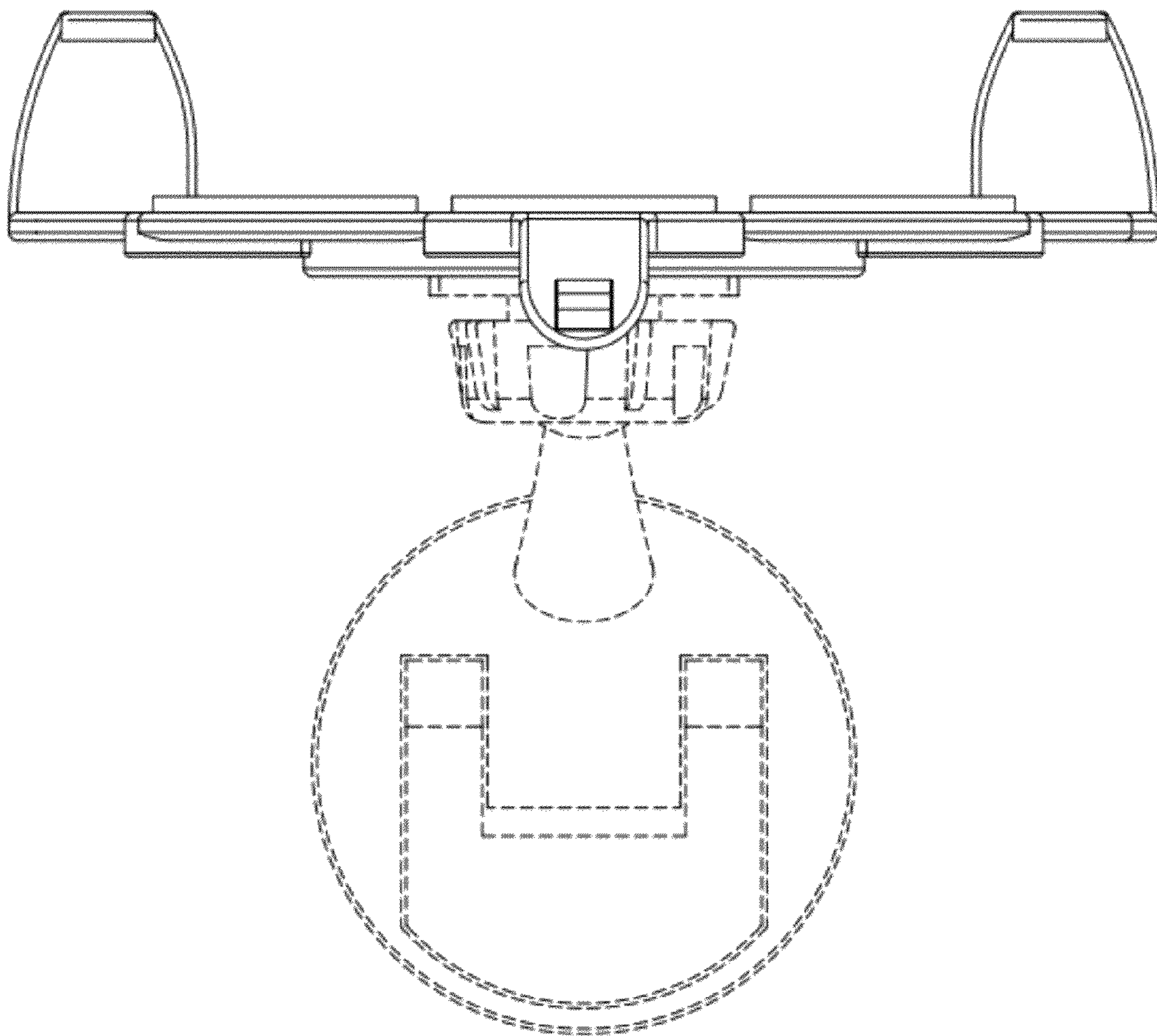


FIG. 6

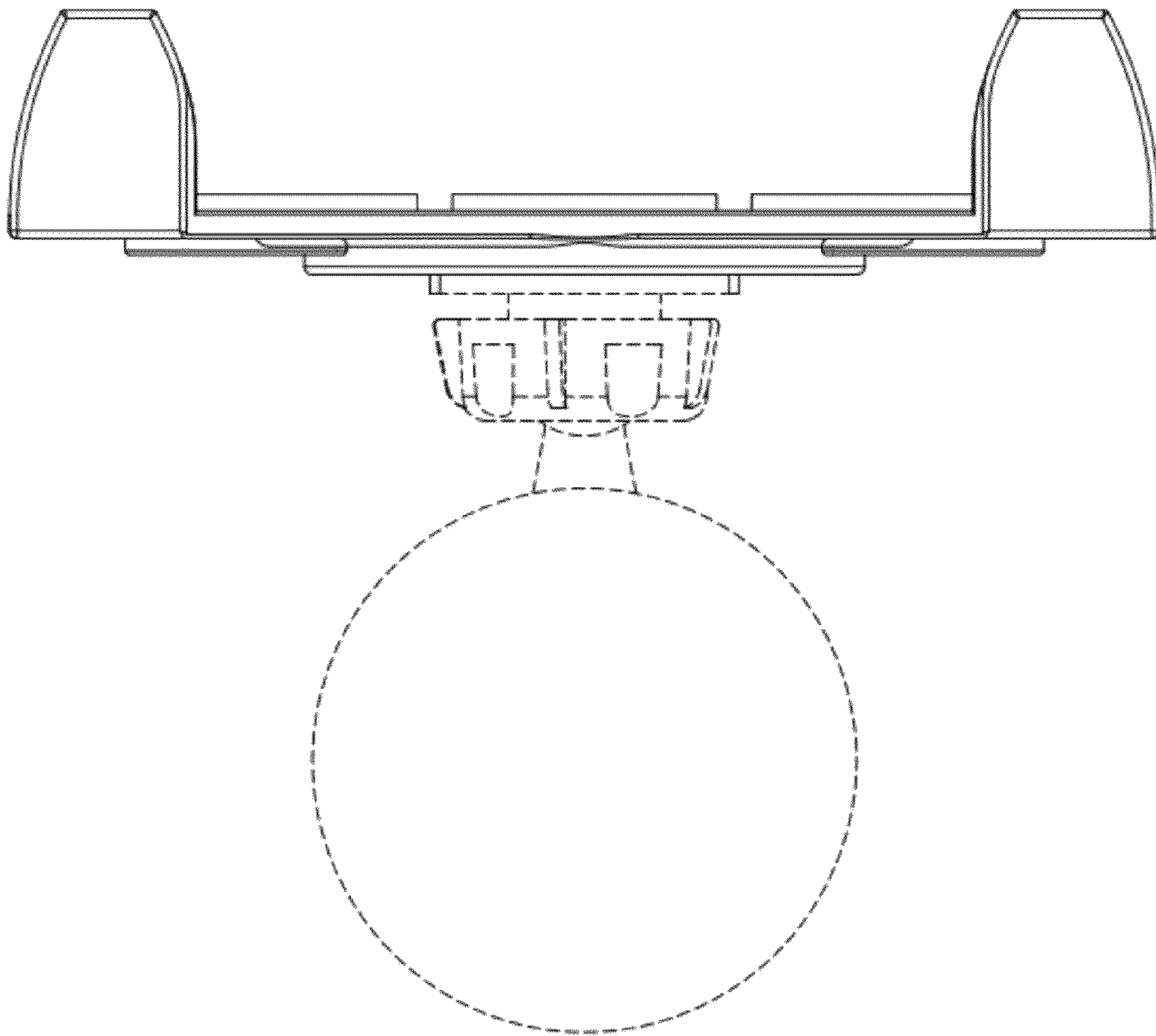


FIG. 7