



US00D670690S

(12) **United States Design Patent**
Daniel et al.

(10) **Patent No.:** **US D670,690 S**
(45) **Date of Patent:** **** Nov. 13, 2012**

(54) **HOLDER FOR A DUAL SCREEN COMMUNICATION DEVICE**

(75) Inventors: **Isaac S. Daniel**, Miramar, FL (US);
Basel H. Saleh, Miramar, FL (US)

(73) Assignee: **F3M3 Companies, Inc.**, Miramar, FL (US)

(**) Term: **14 Years**

(21) Appl. No.: **29/407,690**

(22) Filed: **Dec. 1, 2011**

Related U.S. Application Data

(63) Continuation-in-part of application No. 29/397,352, filed on Jul. 14, 2011, now Pat. No. Des. 655,685, and a continuation-in-part of application No. 29/407,627, filed on Nov. 30, 2011.

(51) **LOC (9) Cl.** **14-03**

(52) **U.S. Cl.** **D14/253**

(58) **Field of Classification Search** D14/140, D14/217, 224, 224.1, 229, 240, 243, 250–253, D14/299, 344, 434, 447, 451–452, 483, 496; D13/108; 361/679.41; 439/534; 320/115, 320/116, 107; D8/355, 363; D12/415, 418; 379/449, 455, 165; 248/122.1, 127, 157, 248/205.8, 206.2, 279.1, 205.5, 309.1, 309.3, 248/352; D3/201, 218, 269, 273, 301; D11/79; 63/26

See application file for complete search history.

(56) **References Cited**

U.S. PATENT DOCUMENTS

3,057,591 A * 10/1962 Weimer 248/166
D291,628 S * 9/1987 Poltere D6/310
5,868,347 A * 2/1999 Paul et al. 242/596.4
D508,355 S * 8/2005 Lau et al. D6/523
D523,672 S * 6/2006 Yang et al. D6/521

D551,478 S * 9/2007 Dretzka D6/522
D558,772 S * 1/2008 Derry et al. D14/447
D578,813 S * 10/2008 Goodman et al. D6/522
D608,356 S * 1/2010 Peyridieu D14/253
D610,587 S * 2/2010 Bandringa D14/447
D658,189 S * 4/2012 Zhao et al. D14/447
2007/0075195 A1 * 4/2007 Chen et al. 248/157

* cited by examiner

Primary Examiner — Raphael Barkai

Assistant Examiner — Randall Gholson

(74) *Attorney, Agent, or Firm* — Carol N. Green, Esq.

(57) **CLAIM**

The ornamental design for a holder for a dual screen communication device, as shown and described.

DESCRIPTION

FIG. 1 is a front perspective view of a holder for a dual screen communication device.

FIG. 2 is a rear perspective view of the holder for the dual screen communication device in use.

FIG. 3 is a side perspective view of the holder for the dual screen communication device in use.

FIG. 4 is a top plan view of the holder for the dual screen communication device in use.

FIG. 5 is a bottom plan view of the holder for the dual screen communication device in use.

FIG. 6 is a left elevation view of the holder for the dual screen communication device in use.

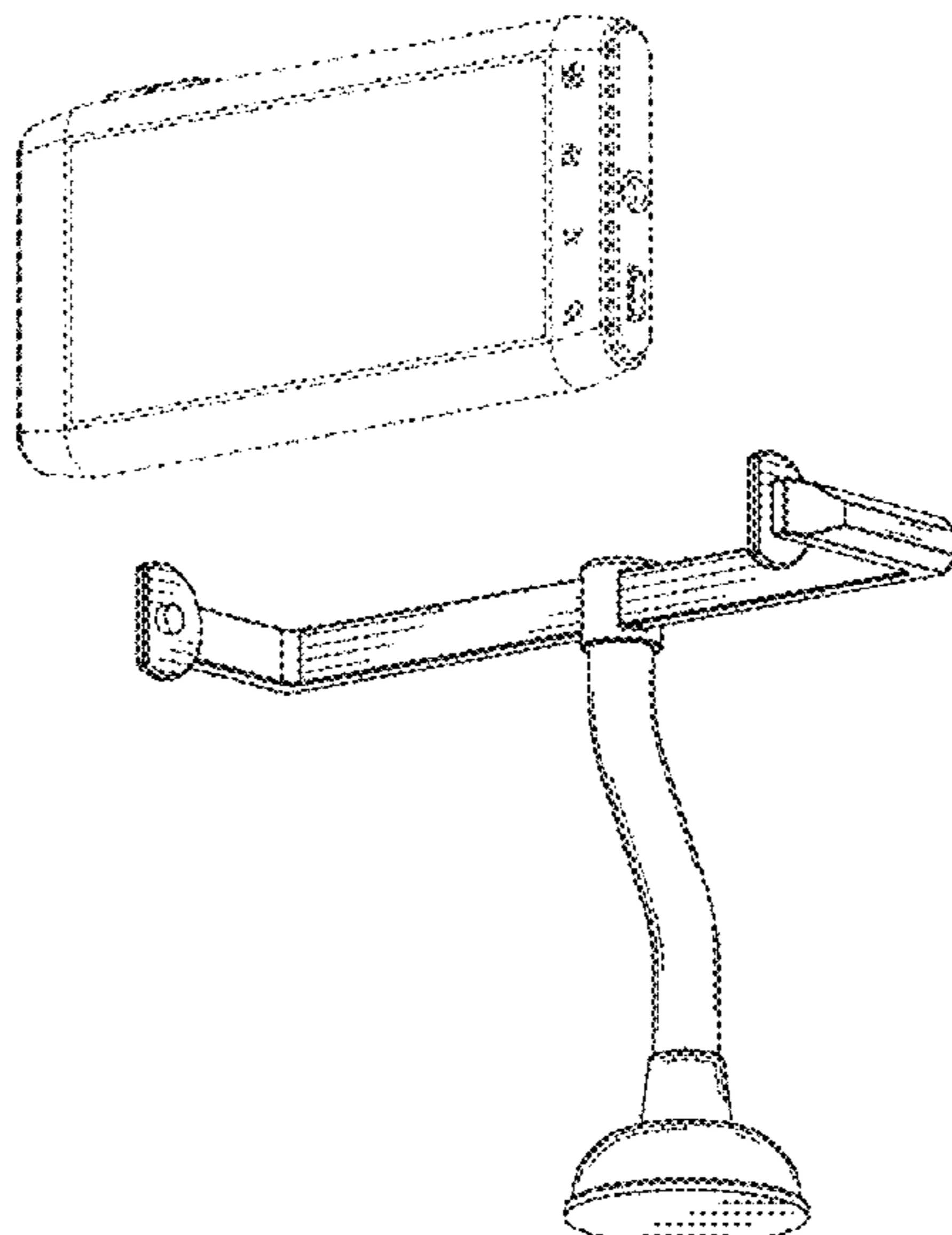
FIG. 7 is a right side view of the holder for the dual screen communication device in use.

FIG. 8 is a front plan view of the holder for the dual screen communication device in use; and,

FIG. 9 is a rear plan view of the holder for the dual screen communication device in use.

The broken lines in the various views depict a dual screen communication device showing the environment and forming no part of the claimed design.

1 Claim, 7 Drawing Sheets



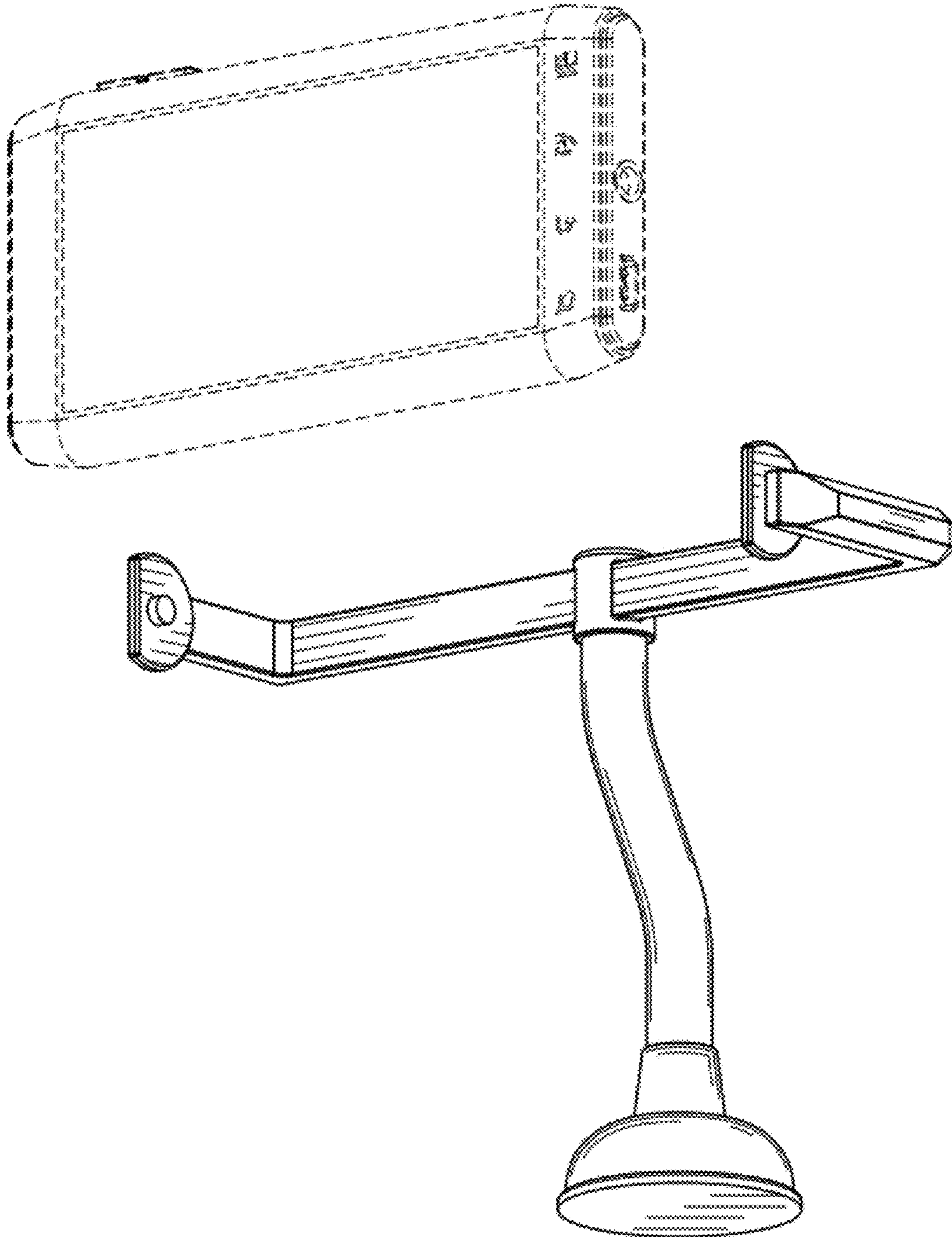


FIG. 1

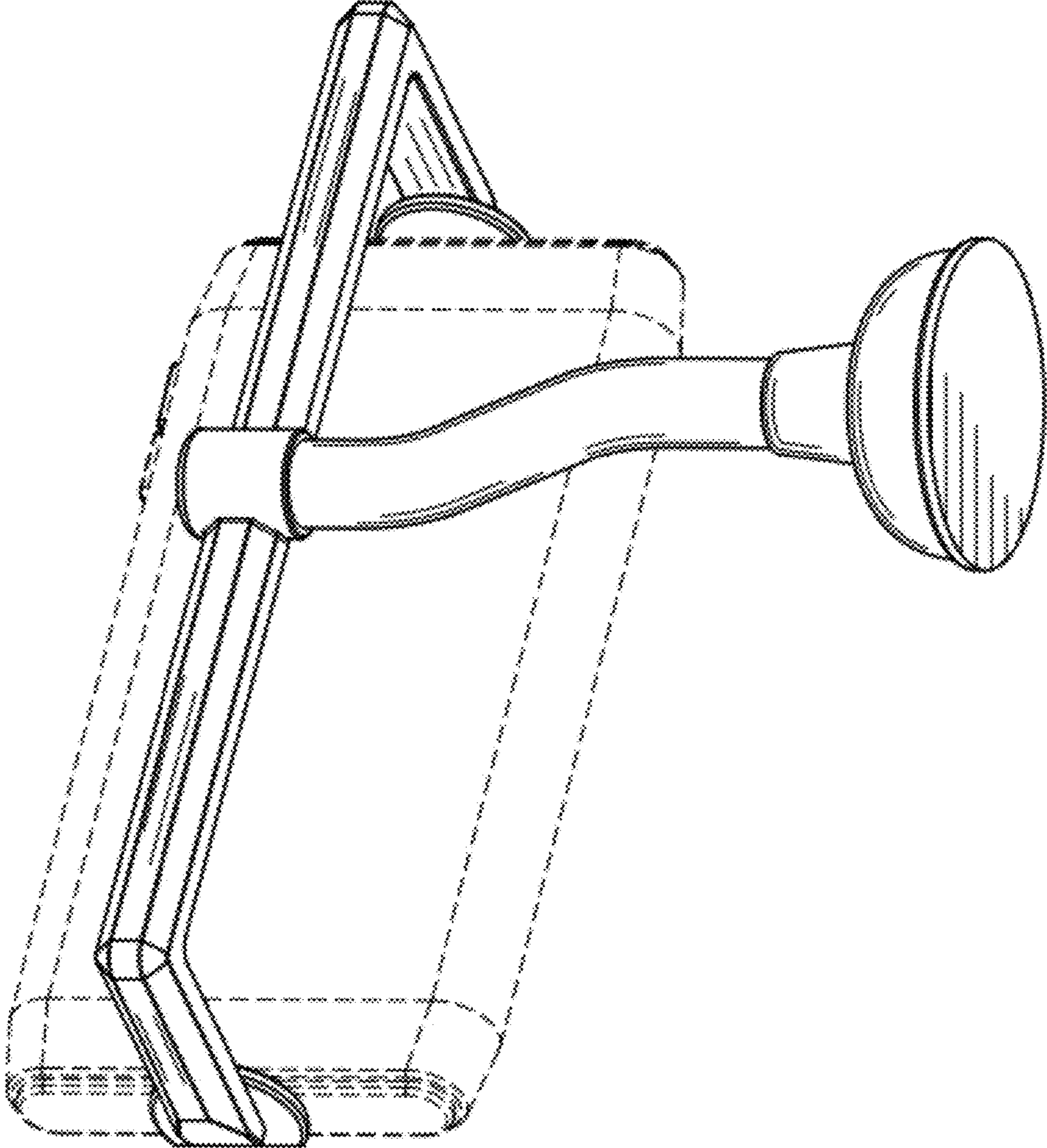


FIG. 2

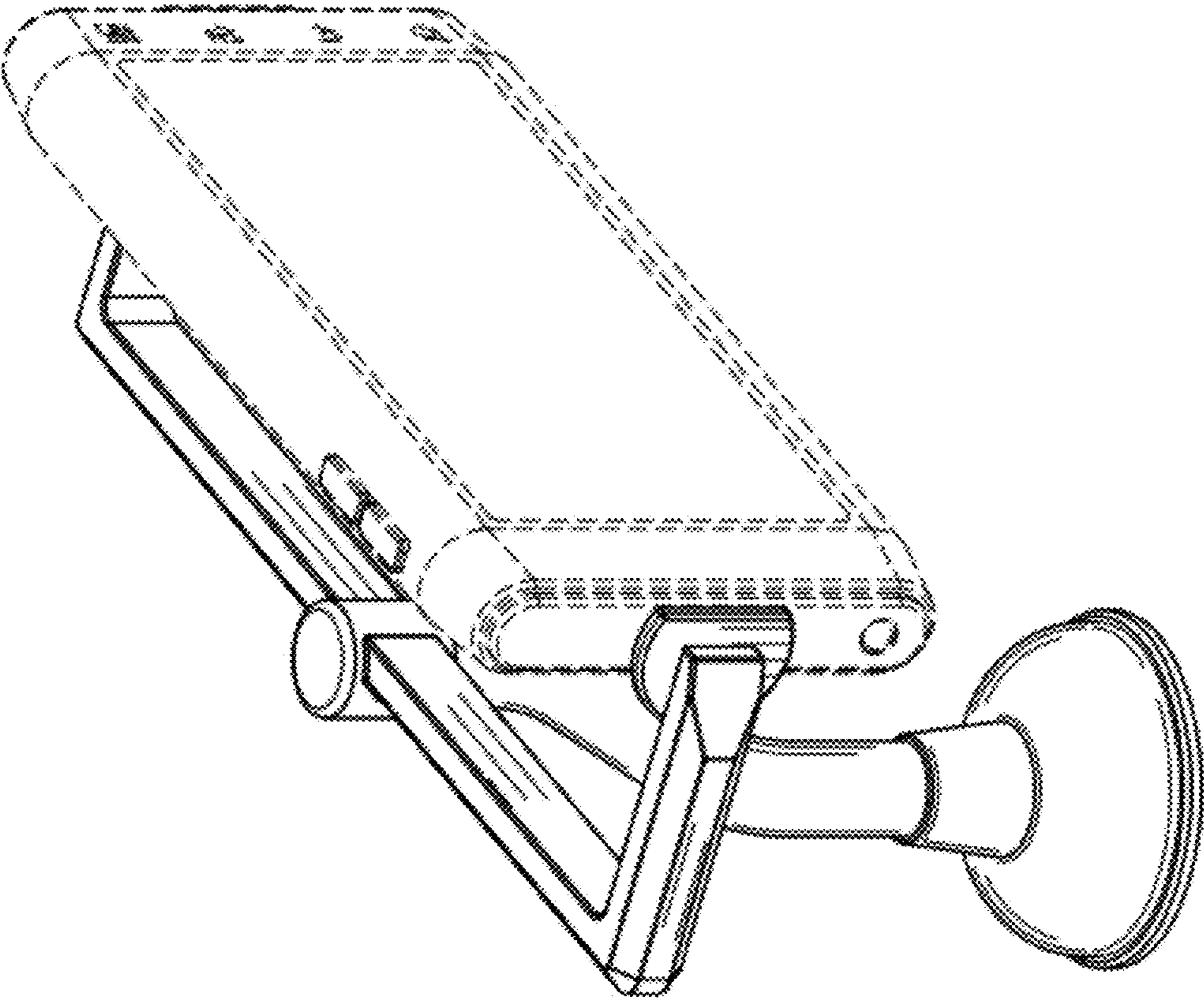


FIG. 3

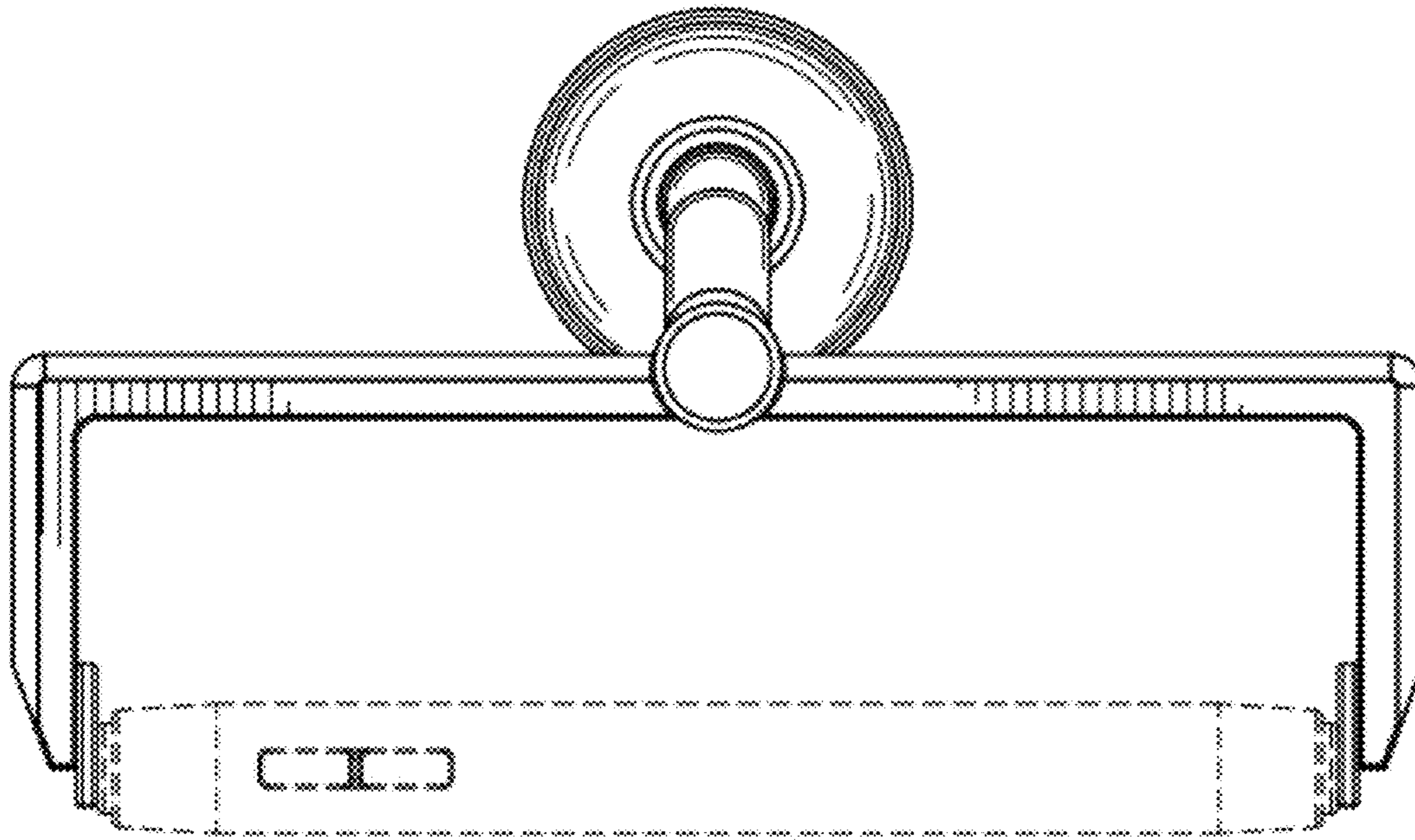


FIG. 4

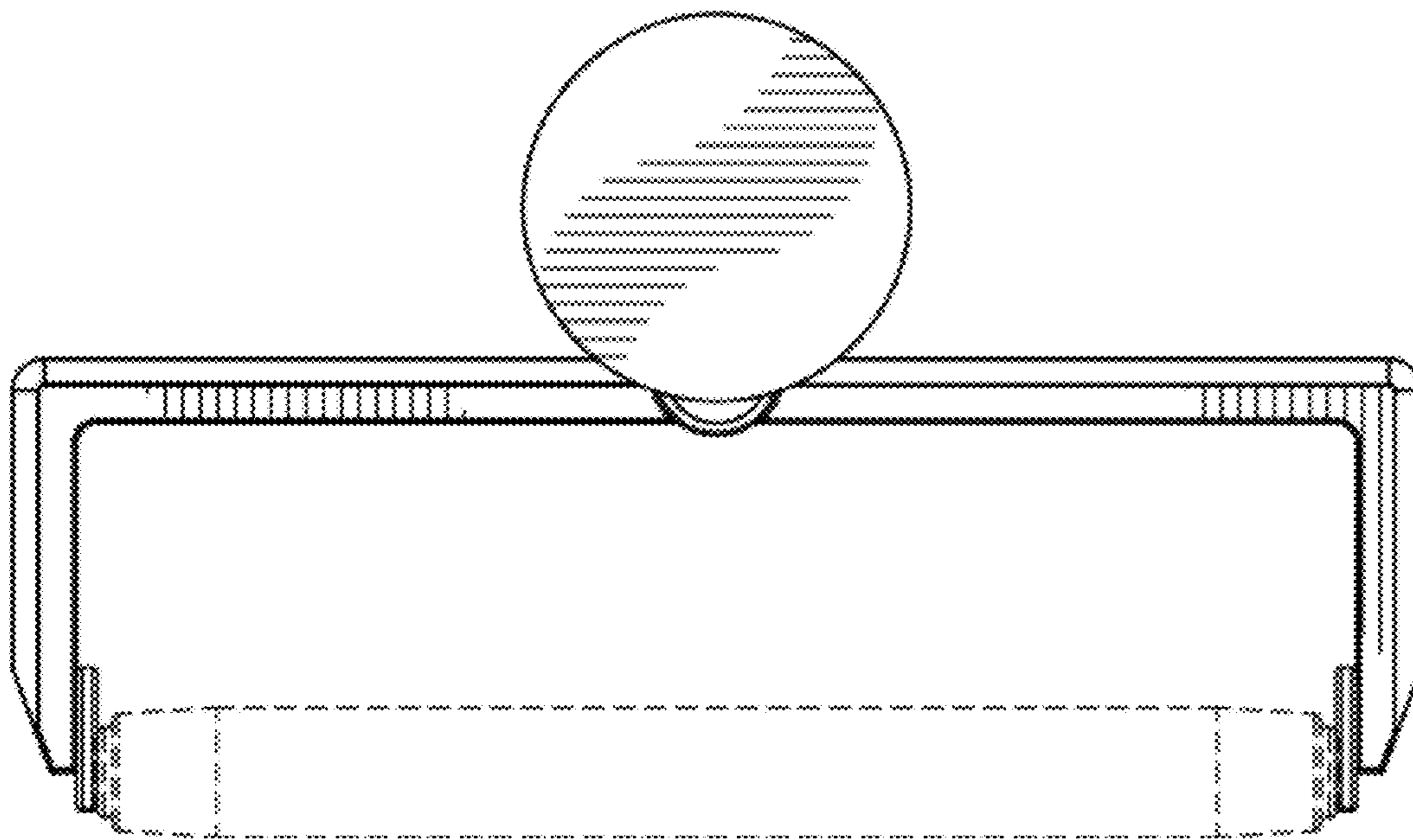


FIG. 5

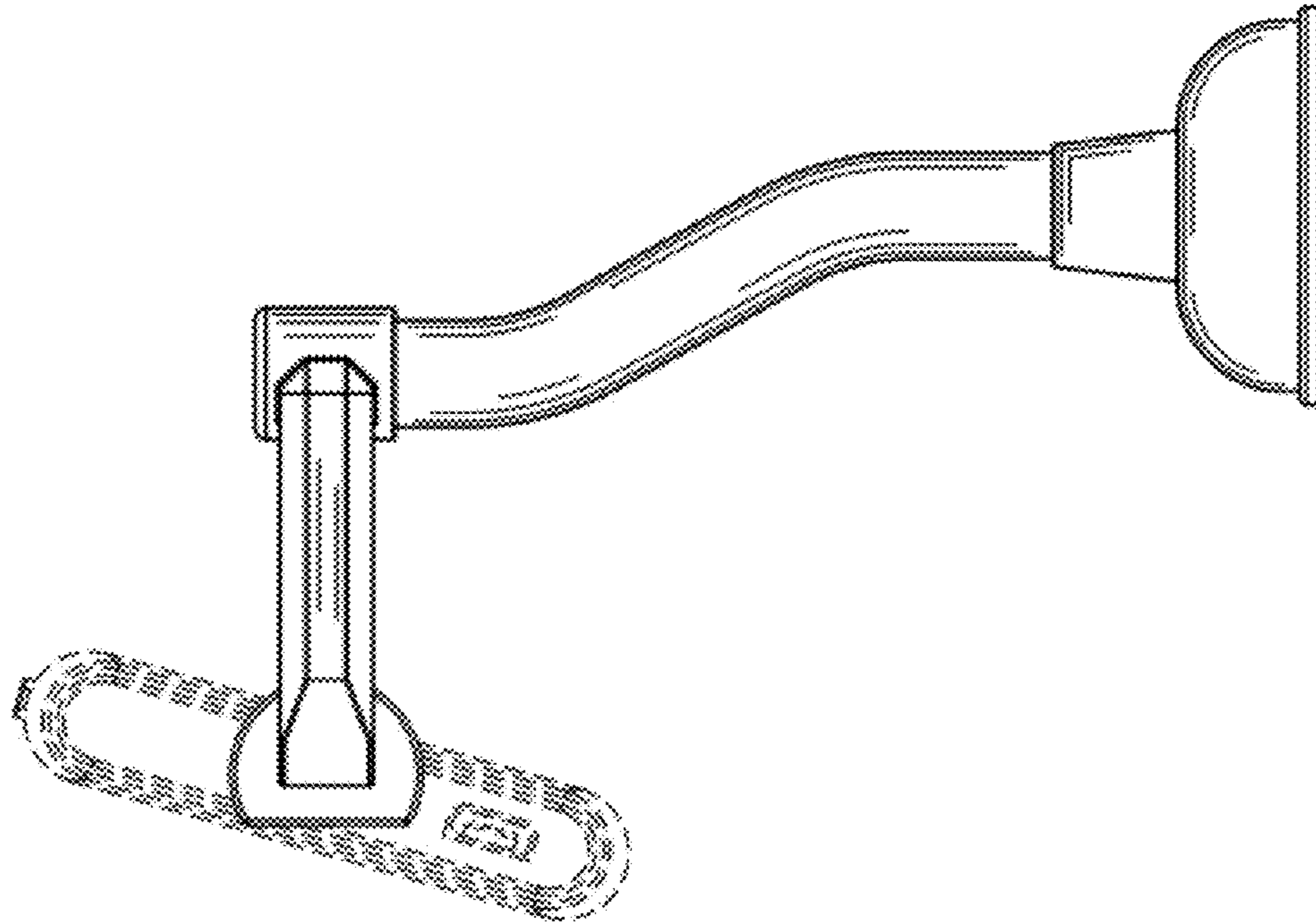


FIG. 6

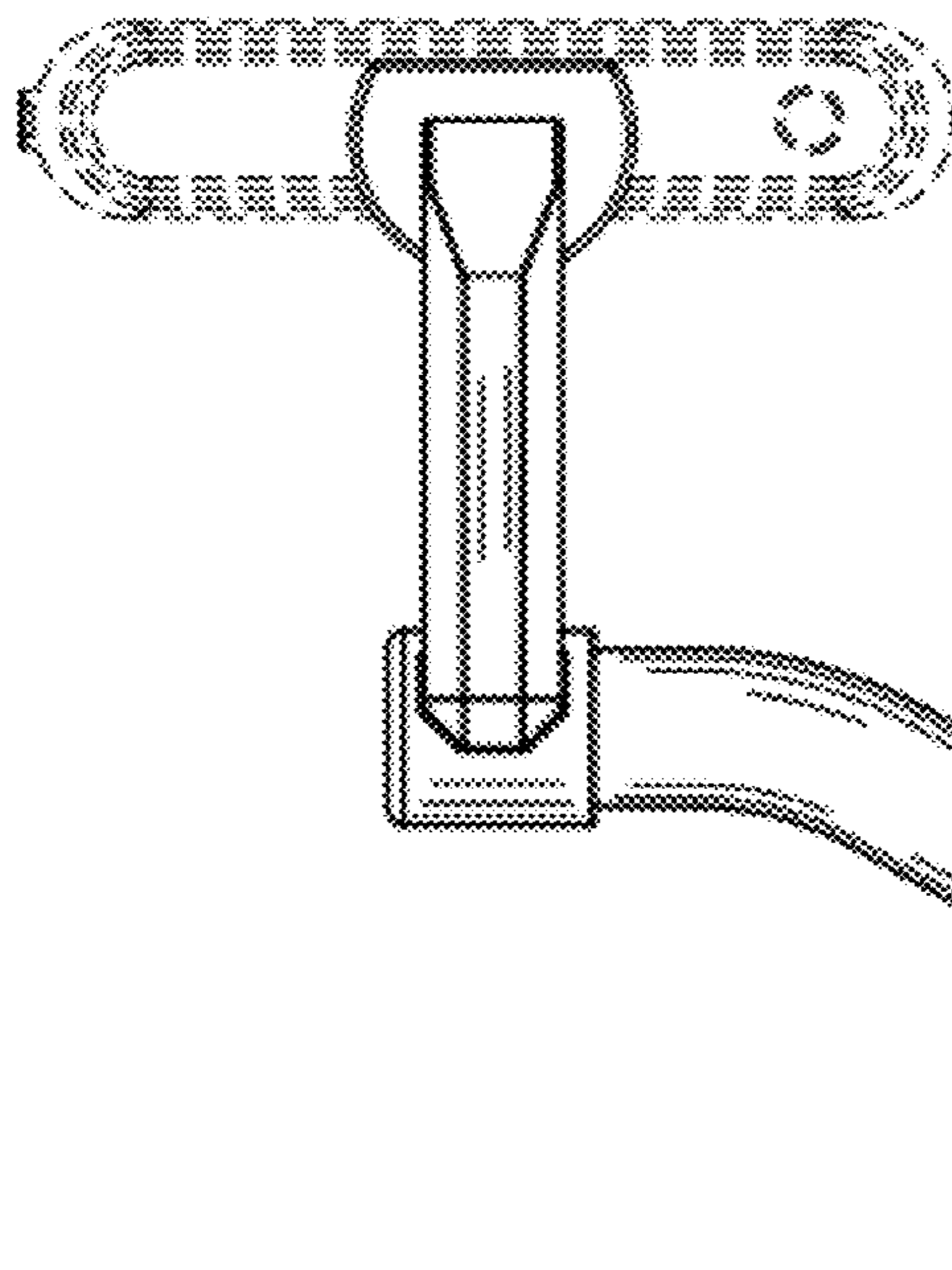


FIG. 7

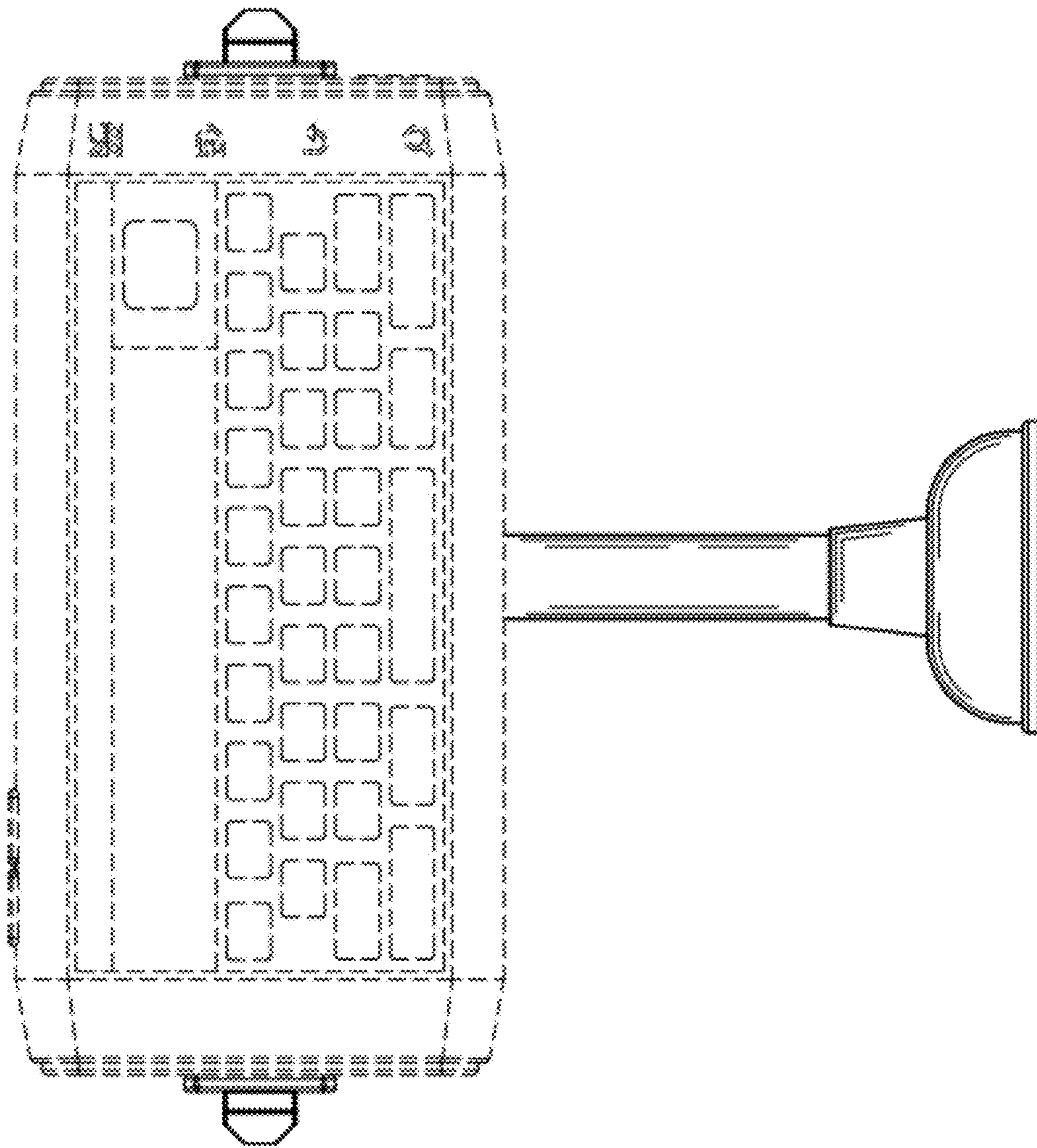


FIG. 8

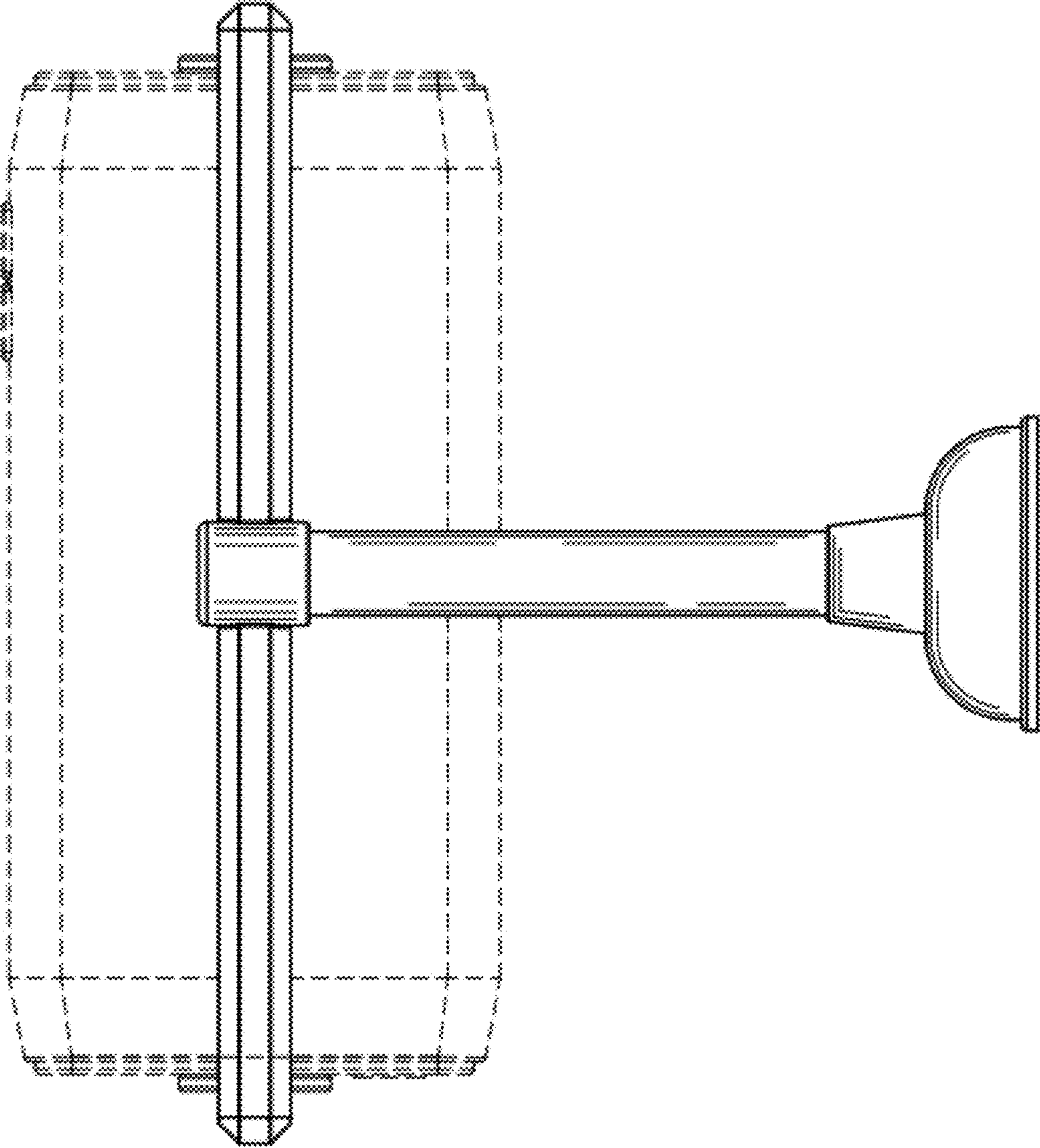


FIG. 9