



US00D670680S

(12) **United States Design Patent**
Eisenmenger

(10) **Patent No.:** **US D670,680 S**

(45) **Date of Patent:** **** Nov. 13, 2012**

(54) **RETRACTABLE EAR PLUG HOUSING**

(76) Inventor: **Daryl Eisenmenger**, Prospect, KY (US)

(**) Term: **14 Years**

(21) Appl. No.: **29/403,218**

(22) Filed: **Oct. 3, 2011**

(51) **LOC (9) Cl.** **14-01**

(52) **U.S. Cl.** **D14/223**

(58) **Field of Classification Search** D14/205,
D14/206, 223; 181/129, 130, 135; 379/430,
379/431; 381/380, 381; 455/90.3, 575.1;
D24/106, 174

See application file for complete search history.

(56) **References Cited**

U.S. PATENT DOCUMENTS

| | | | | |
|-----------|-----|---------|----------------|---------|
| 671,138 | A * | 4/1901 | Knudson et al. | 181/130 |
| 1,599,961 | A * | 9/1926 | Hall et al. | 181/129 |
| 3,324,253 | A * | 6/1967 | Uemura et al. | 381/189 |
| 3,528,415 | A | 9/1970 | Malmin | |
| 3,906,478 | A * | 9/1975 | Smey | 340/575 |
| 3,943,925 | A | 3/1976 | Leight | |
| 3,970,082 | A | 7/1976 | Leight | |
| D241,881 | S * | 10/1976 | Peterson | |
| D245,202 | S | 7/1977 | Asker | |
| 4,219,018 | A | 8/1980 | Draper, Jr. | |
| D262,491 | S | 12/1981 | Ebert | |
| 4,314,553 | A | 2/1982 | Westerdal | |
| 4,429,194 | A * | 1/1984 | Kamon et al. | 381/380 |
| D277,317 | S | 1/1985 | Eisenmenger | |
| D287,765 | S * | 1/1987 | Topholm | D24/174 |
| 4,691,383 | A * | 9/1987 | DeMars | 455/351 |
| 5,178,619 | A * | 1/1993 | Galazaka | 606/41 |
| 5,303,426 | A * | 4/1994 | Jones | 2/181 |
| D348,067 | S * | 6/1994 | Lucey et al. | D14/223 |
| 5,339,461 | A * | 8/1994 | Luplow | 455/351 |
| 5,422,957 | A * | 6/1995 | Cummins | 381/384 |
| 5,655,026 | A * | 8/1997 | Peters et al. | 381/385 |
| 5,677,964 | A * | 10/1997 | Sun | 381/385 |
| 5,832,098 | A * | 11/1998 | Chen | 381/370 |

| | | | | |
|-----------|------|---------|------------------|-----------|
| 6,434,249 | B1 * | 8/2002 | Wei | 381/370 |
| 6,438,248 | B1 * | 8/2002 | Kamimura et al. | 381/374 |
| D481,709 | S * | 11/2003 | Solderits | D14/228 |
| 6,912,291 | B2 * | 6/2005 | Huang | 381/374 |
| D508,911 | S * | 8/2005 | Sanders | D14/223 |
| D512,417 | S * | 12/2005 | Hirakawa et al. | D14/223 |
| 6,978,034 | B2 * | 12/2005 | Lazzeroni et al. | 381/384 |
| D514,095 | S * | 1/2006 | Wilson et al. | D14/223 |
| D543,537 | S * | 5/2007 | Chau | D14/218 |
| D566,107 | S * | 4/2008 | Bowling | D14/223 |
| 7,356,362 | B2 * | 4/2008 | Chang et al. | 455/575.2 |
| D568,290 | S * | 5/2008 | Wikel | D14/205 |
| D618,671 | S * | 6/2010 | Hou | D14/223 |
| D638,409 | S * | 5/2011 | Walter | D14/240 |
| D642,164 | S * | 7/2011 | Liner | D14/229 |
| D647,081 | S * | 10/2011 | Kwon | D14/223 |
| D659,118 | S * | 5/2012 | Watters et al. | D14/206 |

* cited by examiner

Primary Examiner — Paula Greene

(74) *Attorney, Agent, or Firm* — Middleton Reutlinger;
Scott W. Higdon; John F. Salazar

(57) **CLAIM**

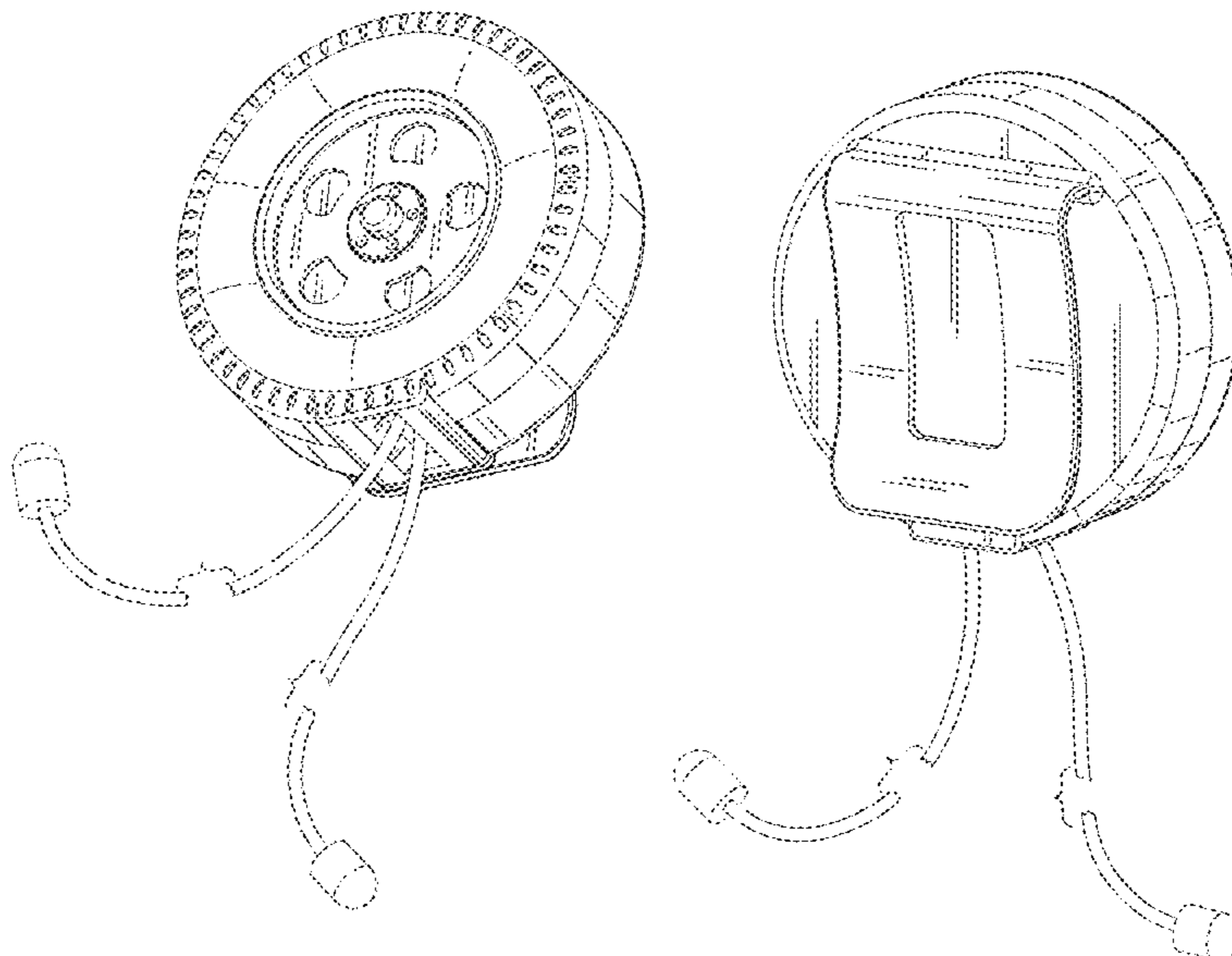
The ornamental design for a retractable ear plug housing, as shown and described.

DESCRIPTION

FIG. 1 is a front right side perspective view of a retractable ear plug housing showing my design;
FIG. 2 is a rear left side perspective view thereof;
FIG. 3 is a front elevational view thereof;
FIG. 4 is a rear elevational view thereof;
FIG. 5 is a left side elevational view thereof;
FIG. 6 is a right side elevational view thereof;
FIG. 7 is a top plan view thereof; and,
FIG. 8 is a bottom plan view thereof.

The broken lines are for illustrative purposes only and form no part of the claimed design. The ear plug cords are shown fragmented to indicate indeterminate length.

1 Claim, 7 Drawing Sheets



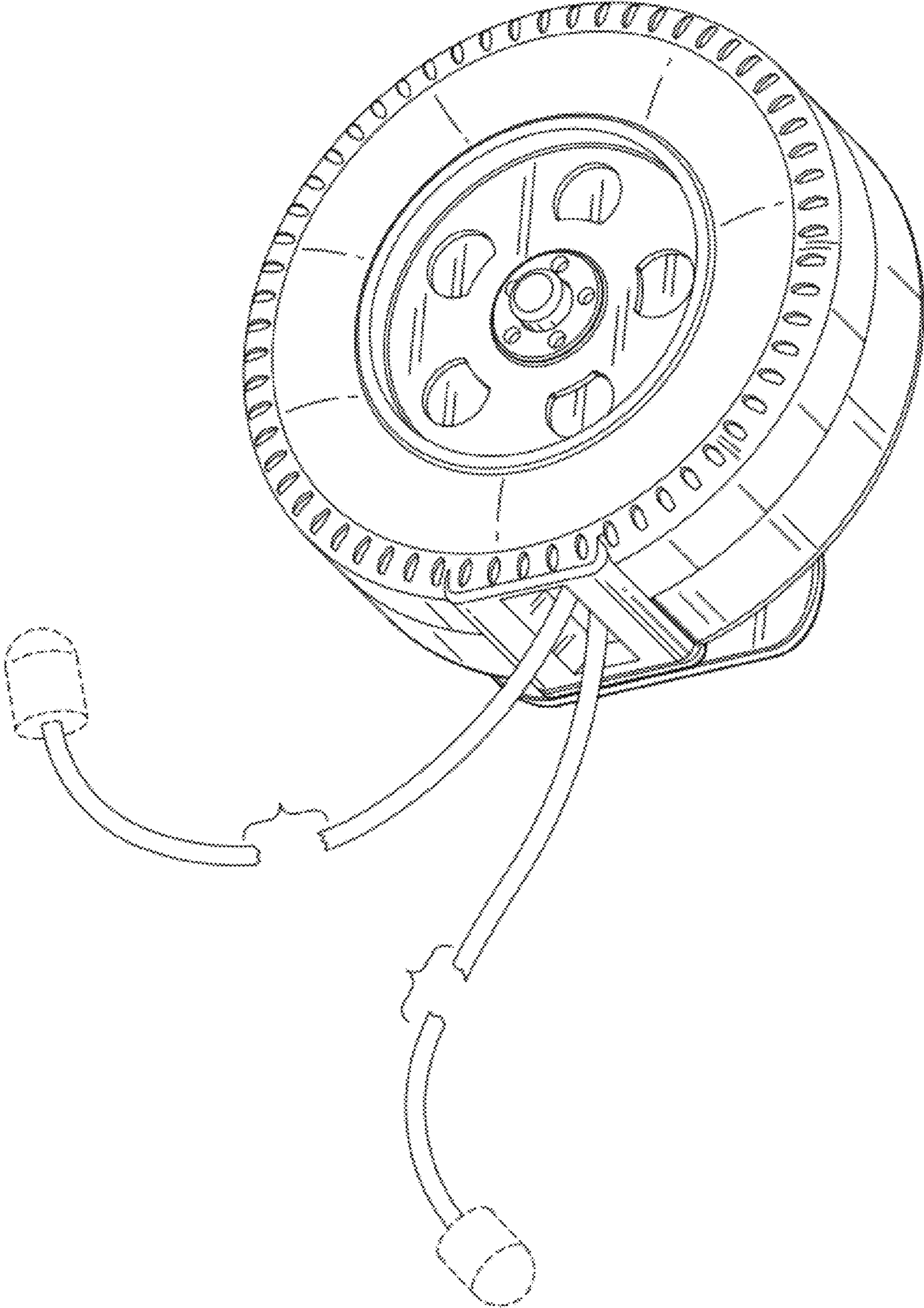


FIG. 1

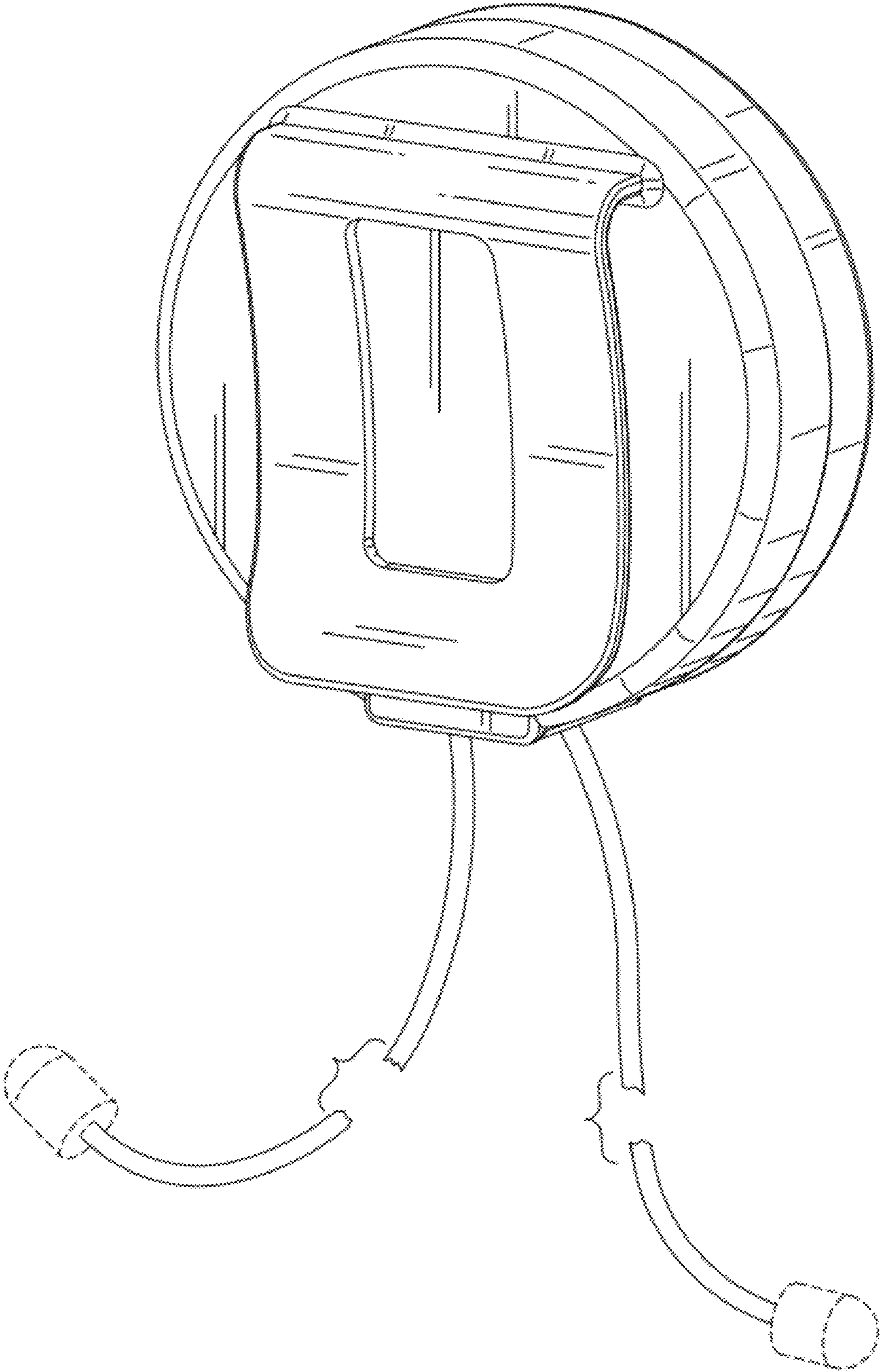


FIG. 2

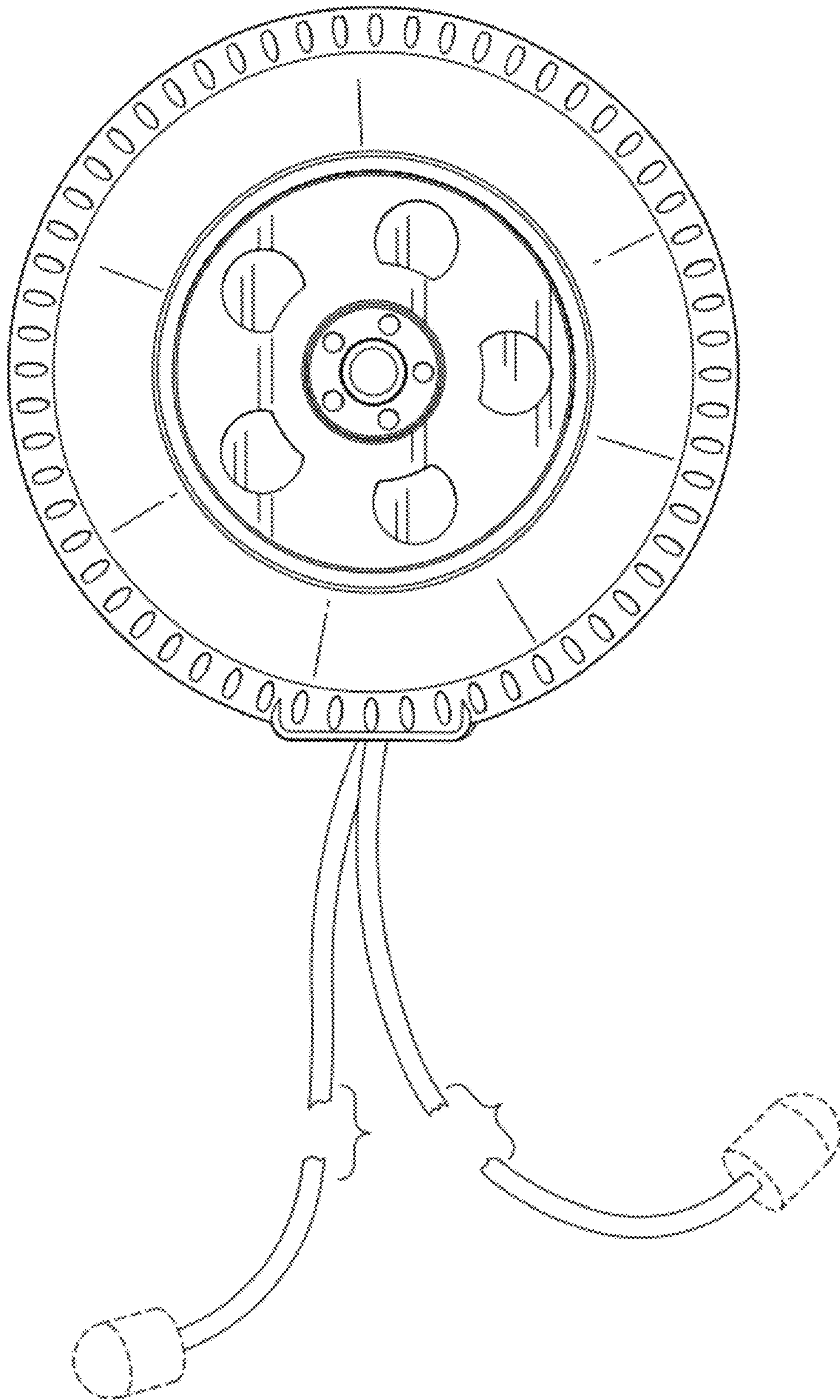


FIG. 3

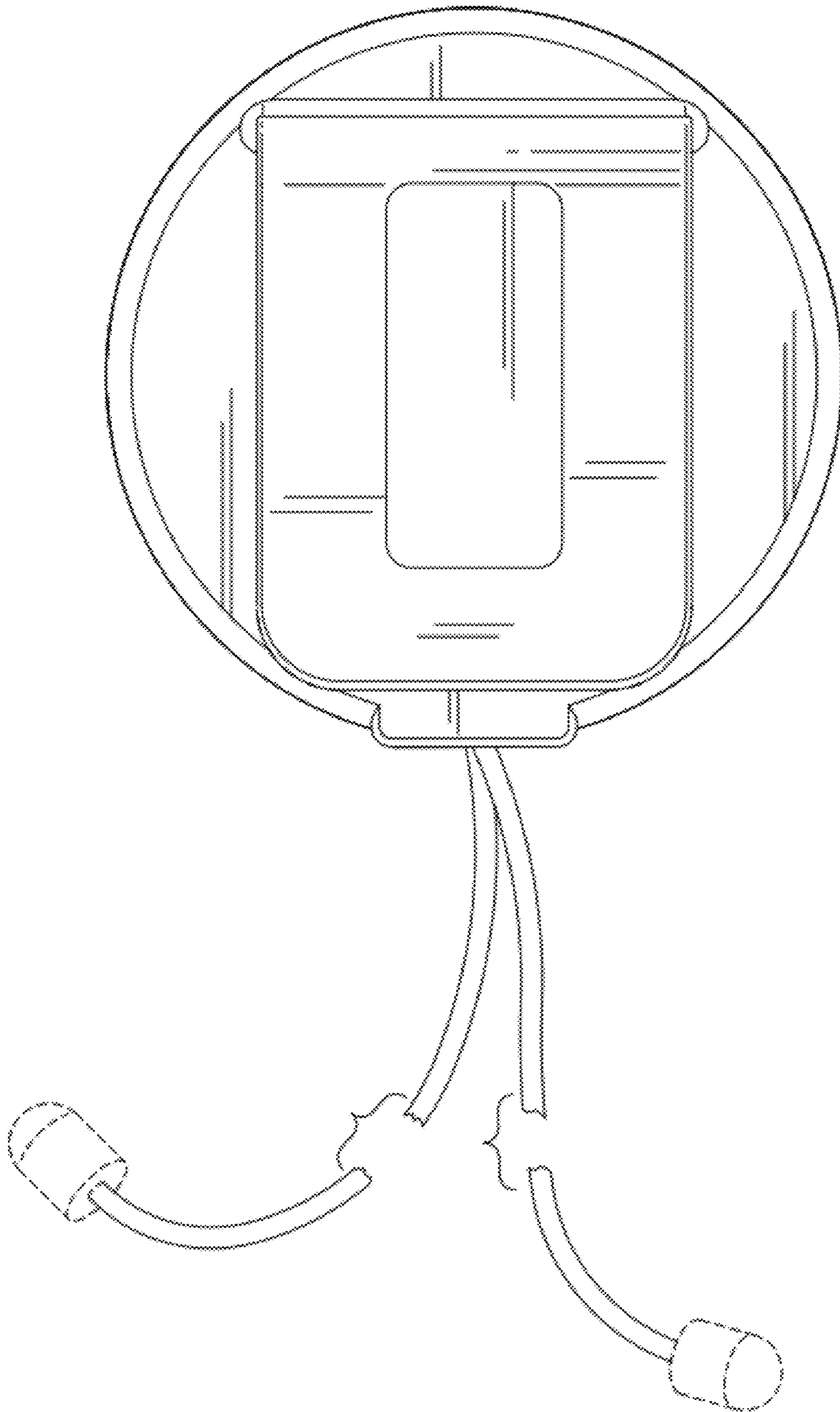


FIG. 4

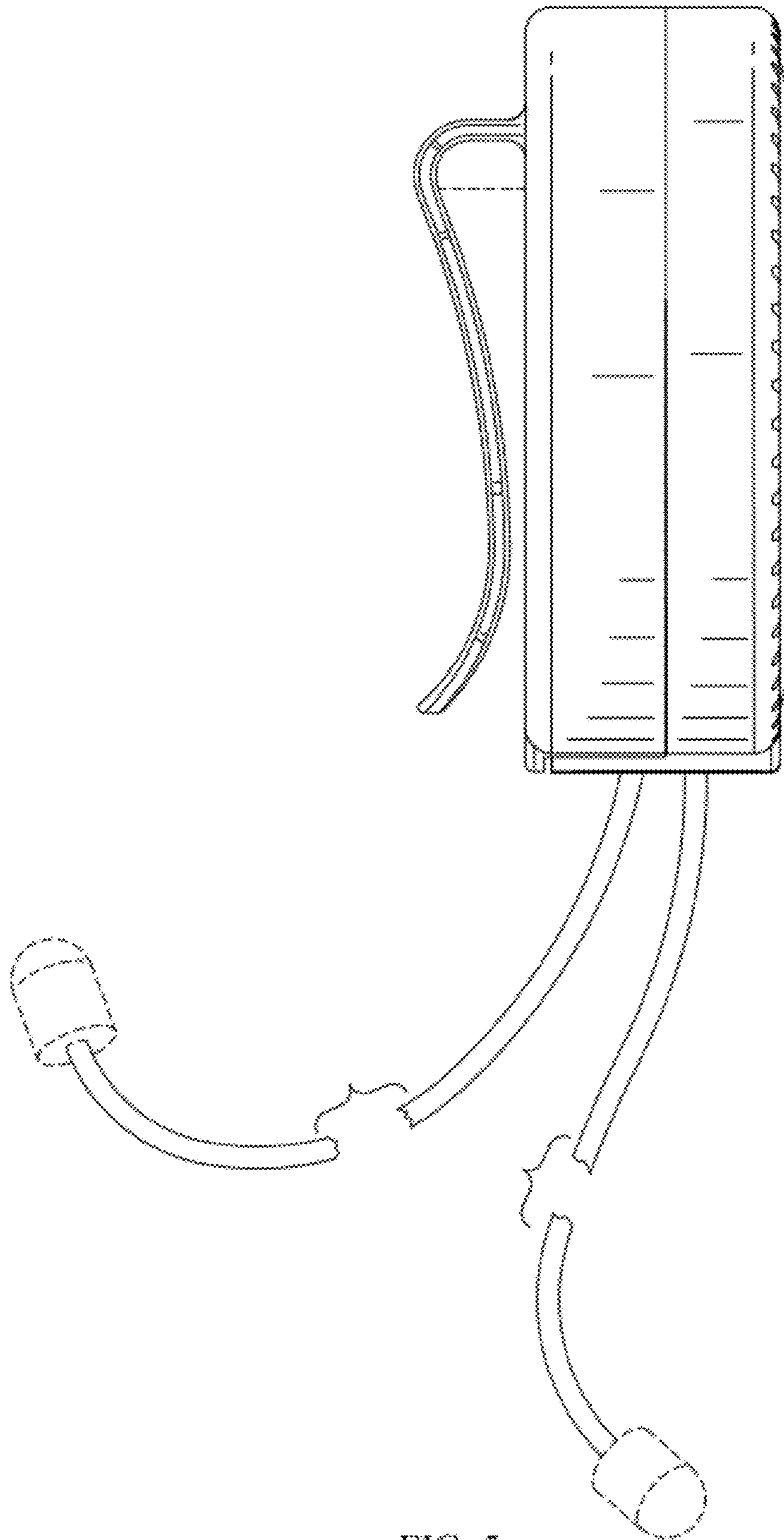


FIG. 5

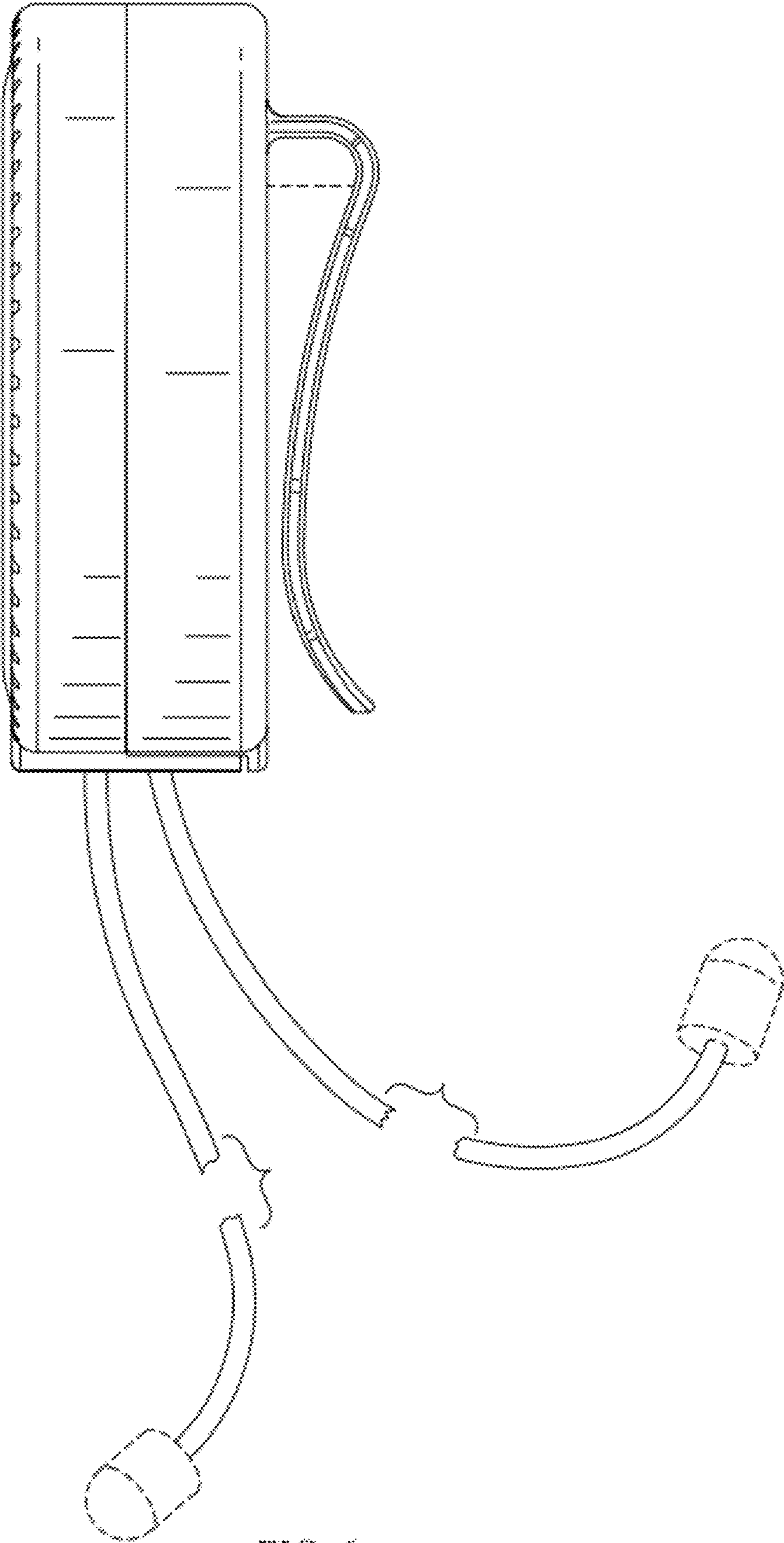


FIG. 6

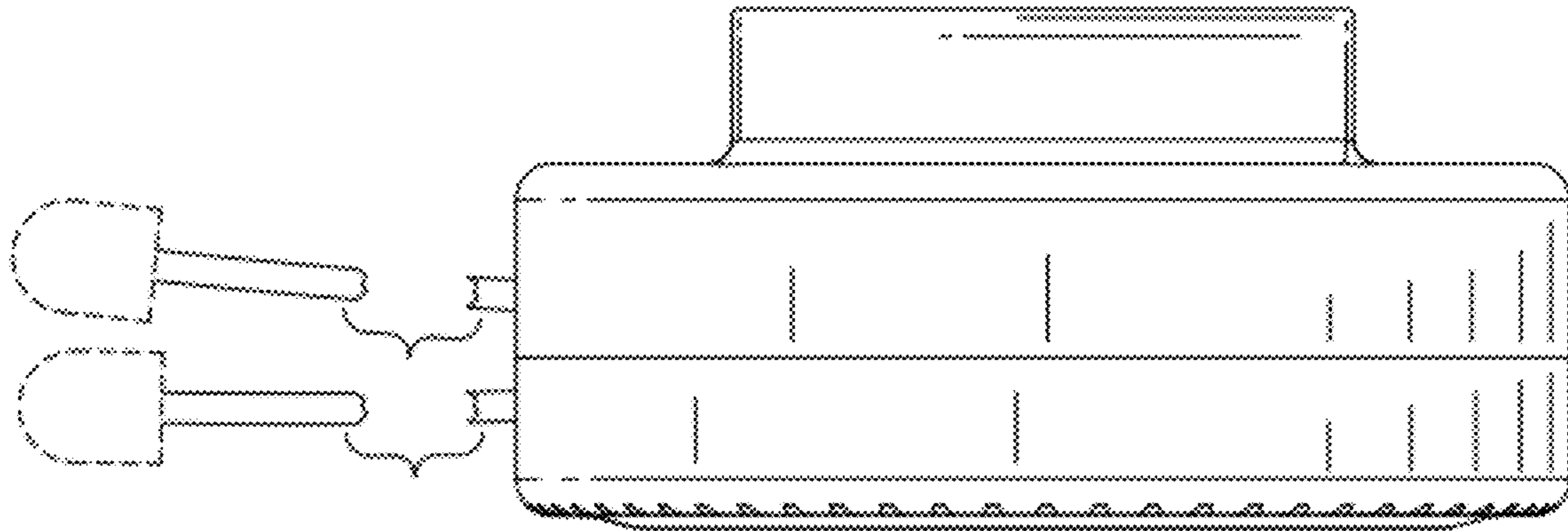


FIG. 7

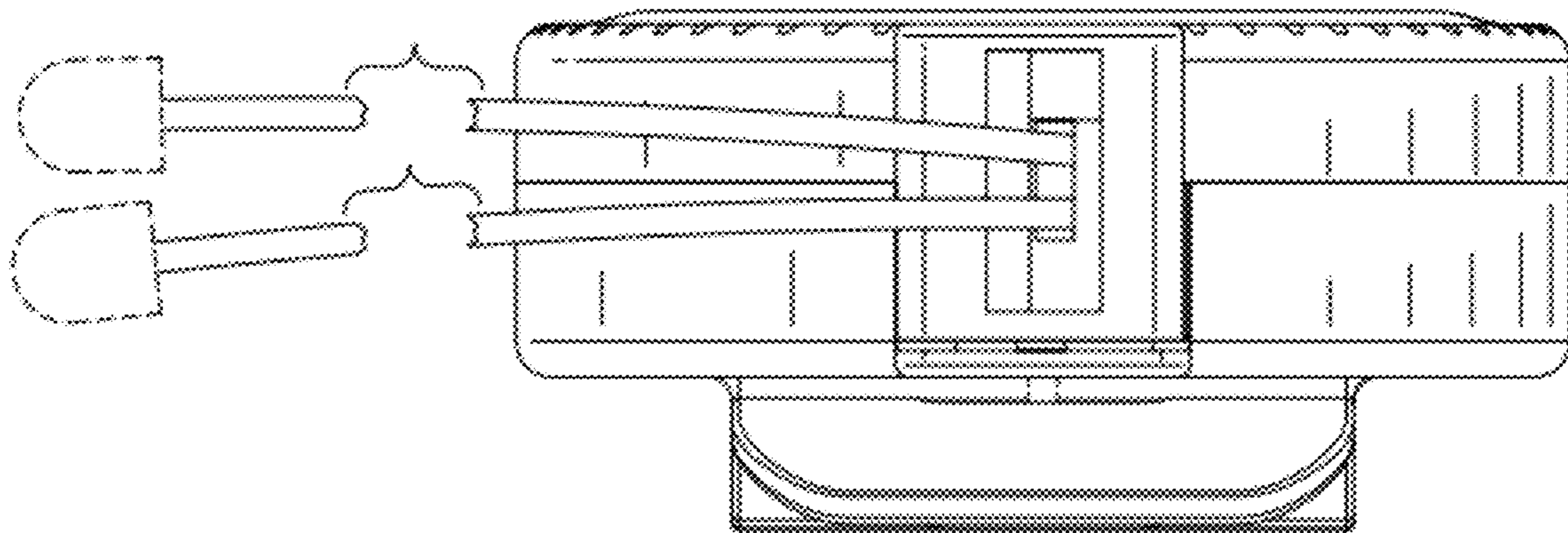


FIG. 8