



US00D670677S

(12) **United States Design Patent**
Pfeifer et al.

(10) **Patent No.:** **US D670,677 S**

(45) **Date of Patent:** **** Nov. 13, 2012**

(54) **SPEAKER TOWER**

(75) Inventors: **Bradley Pfeifer**, Thousand Oaks, CA (US); **Jorn Huseby**, Oak Park, CA (US)

(73) Assignee: **PerSuede Audio, Inc.**, Camarillo, CA (US)

(**) Term: **14 Years**

(21) Appl. No.: **29/414,817**

(22) Filed: **Mar. 5, 2012**

(51) **LOC (9) Cl.** **14-03**

(52) **U.S. Cl.** **D14/212**

(58) **Field of Classification Search** D14/172,
D14/204, 207, 209.1, 210–217, 447; 181/143,
181/144, 147, 148, 150, 153, 157, 198, 199;
381/300–303, 306, 332, 333, 336, 345, 361–364,
381/386–388

See application file for complete search history.

(56) **References Cited**

U.S. PATENT DOCUMENTS

846,068	A	*	3/1907	Turner	381/336
D471,892	S	*	3/2003	Jordan et al.	D14/212
D480,705	S	*	10/2003	Jordan et al.	D14/212
D544,466	S	*	6/2007	Pincek et al.	D14/214
D565,594	S	*	4/2008	Poandl	D14/496

D580,913	S	*	11/2008	Omori et al.	D14/215
D638,400	S	*	5/2011	Hawkins et al.	D14/214
D642,555	S	*	8/2011	Hawkins et al.	D14/214
D653,652	S	*	2/2012	Kroyer	D14/214
D657,777	S	*	4/2012	Jursch et al.	D14/215

* cited by examiner

Primary Examiner — Keli L Hill

(74) *Attorney, Agent, or Firm* — SoCal IP Law Group LLP; Yang S. Pak; Steven C. Sereboff

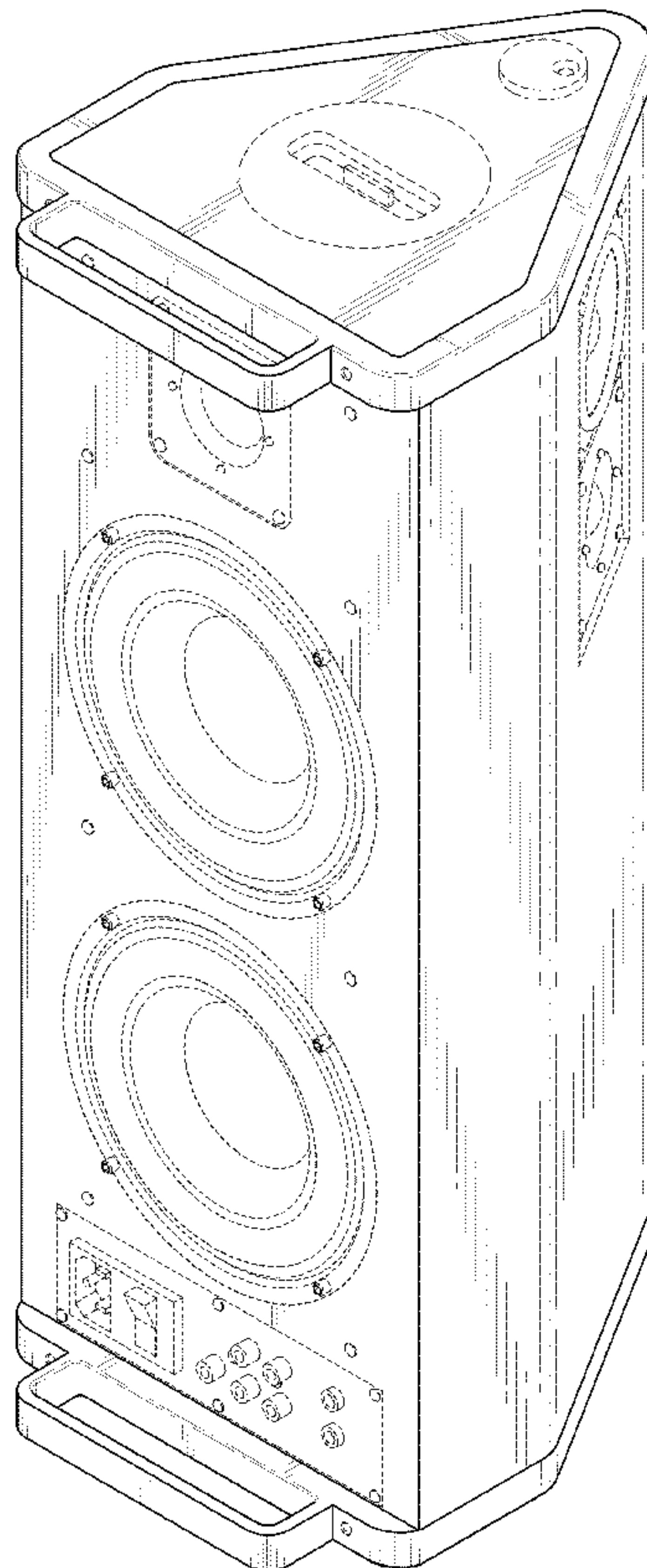
(57) **CLAIM**

The ornamental design for a speaker tower, as shown and described.

DESCRIPTION

FIG. 1 is a perspective top view of a speaker tower, showing the new design;
FIG. 2 is an elevation rear view of the design of FIG. 1;
FIG. 3 is an elevation front view of the design of FIG. 1;
FIG. 4 is an elevation right side view of the design of FIG. 1;
FIG. 5 is an elevation left side view of the design of FIG. 1;
FIG. 6 is a plan top view of the design of FIG. 1; and,
FIG. 7 is a plan bottom view of the design of FIG. 1.
The broken lines shown are included for the purpose of illustrating the unclaimed portions of the article and form no part of the claim.

1 Claim, 4 Drawing Sheets



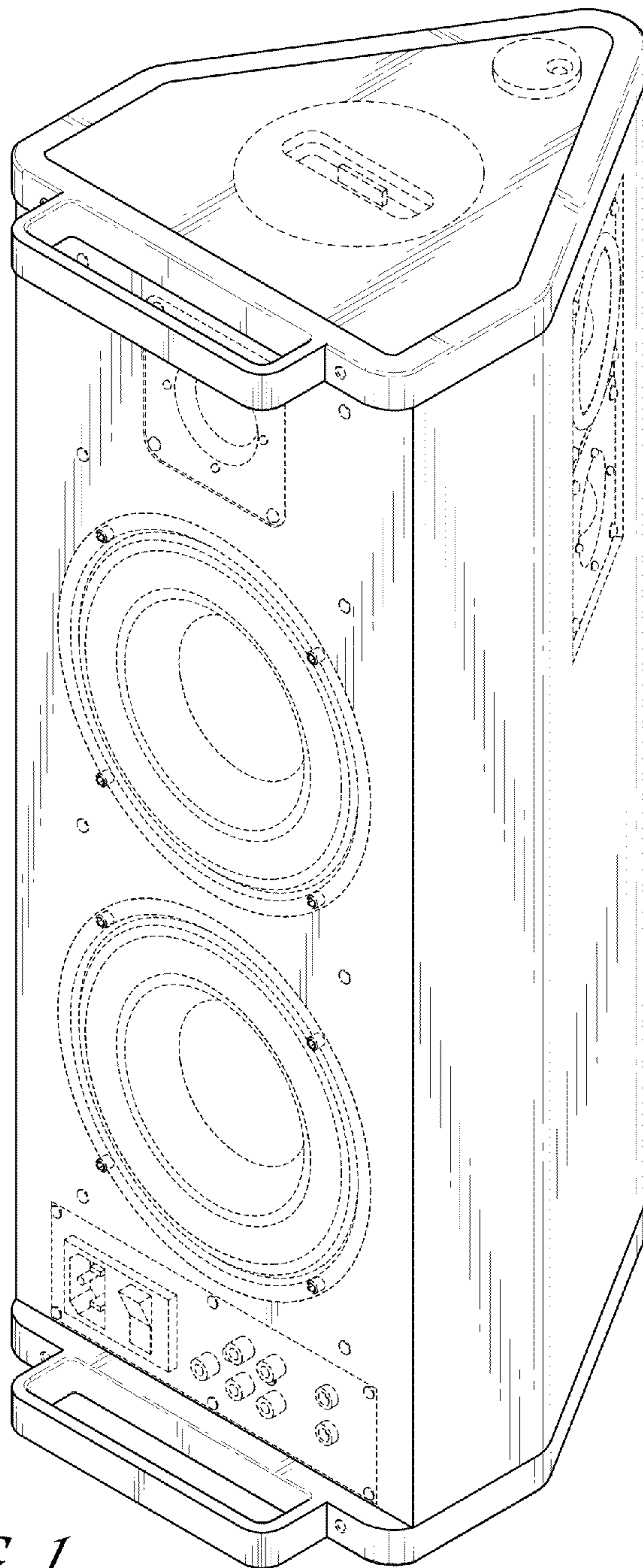


FIG. 1

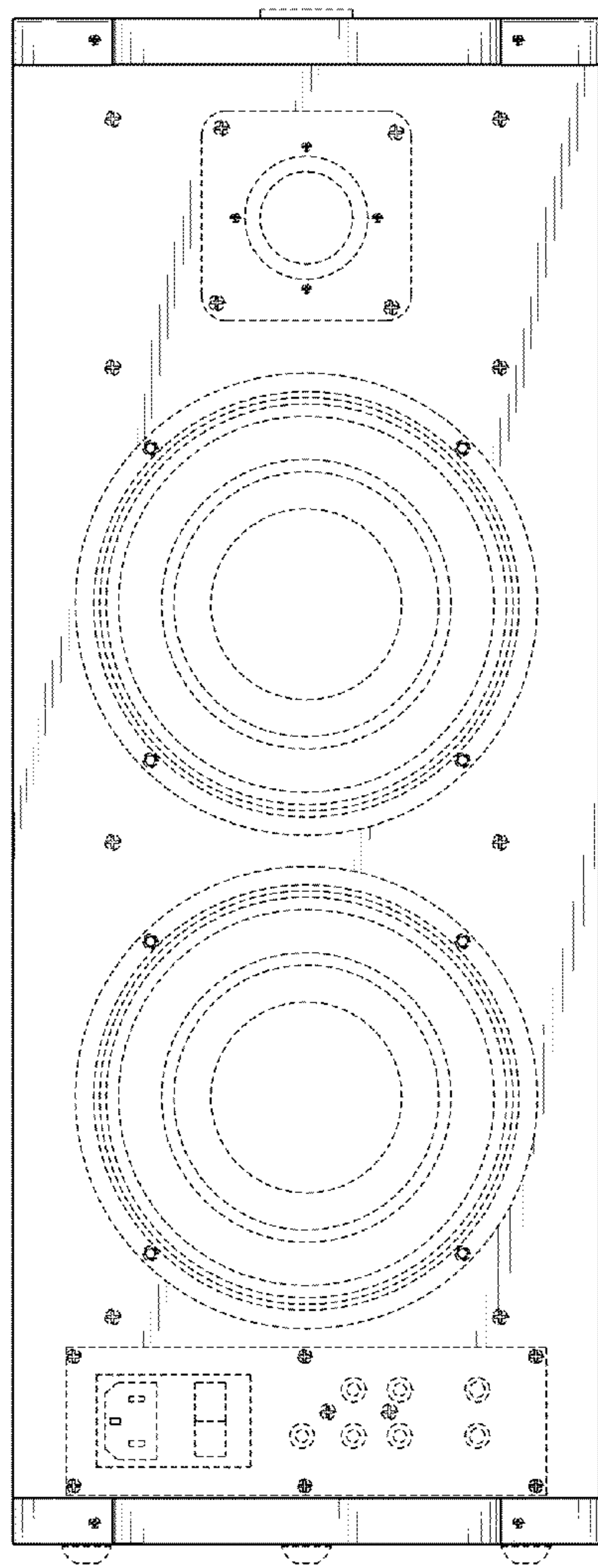


FIG. 2

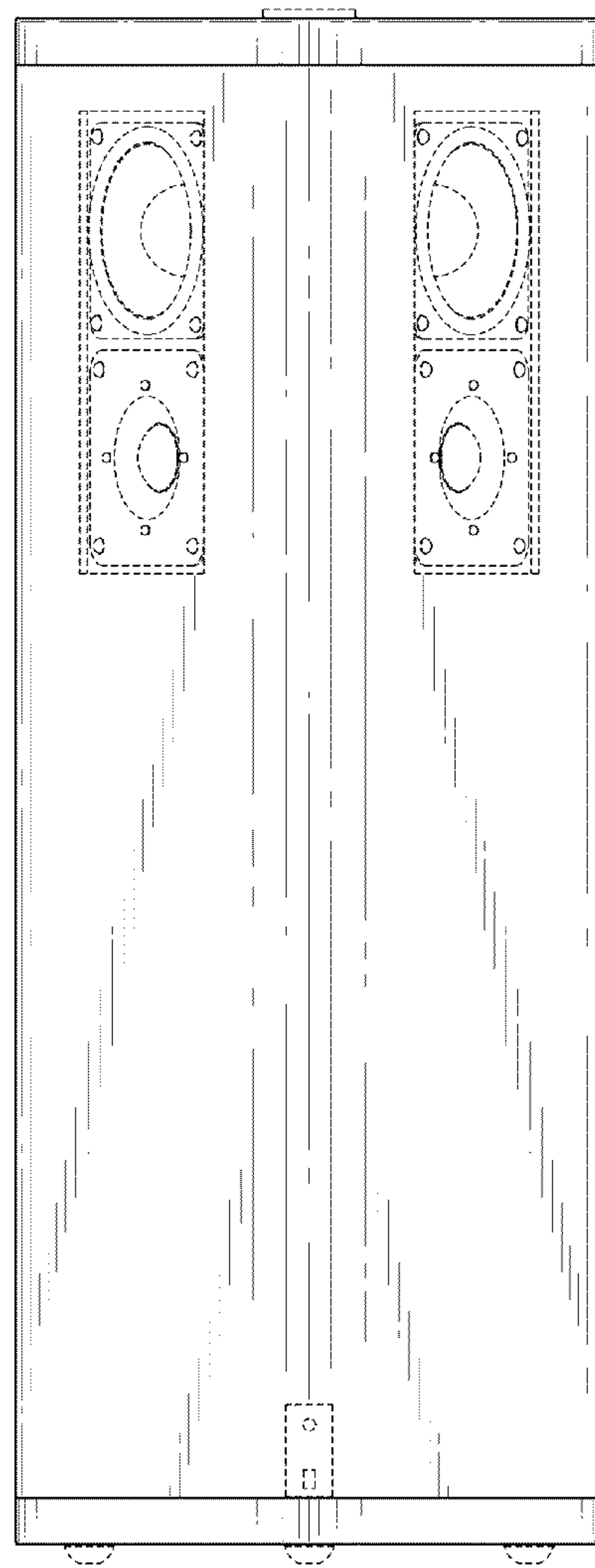


FIG. 3

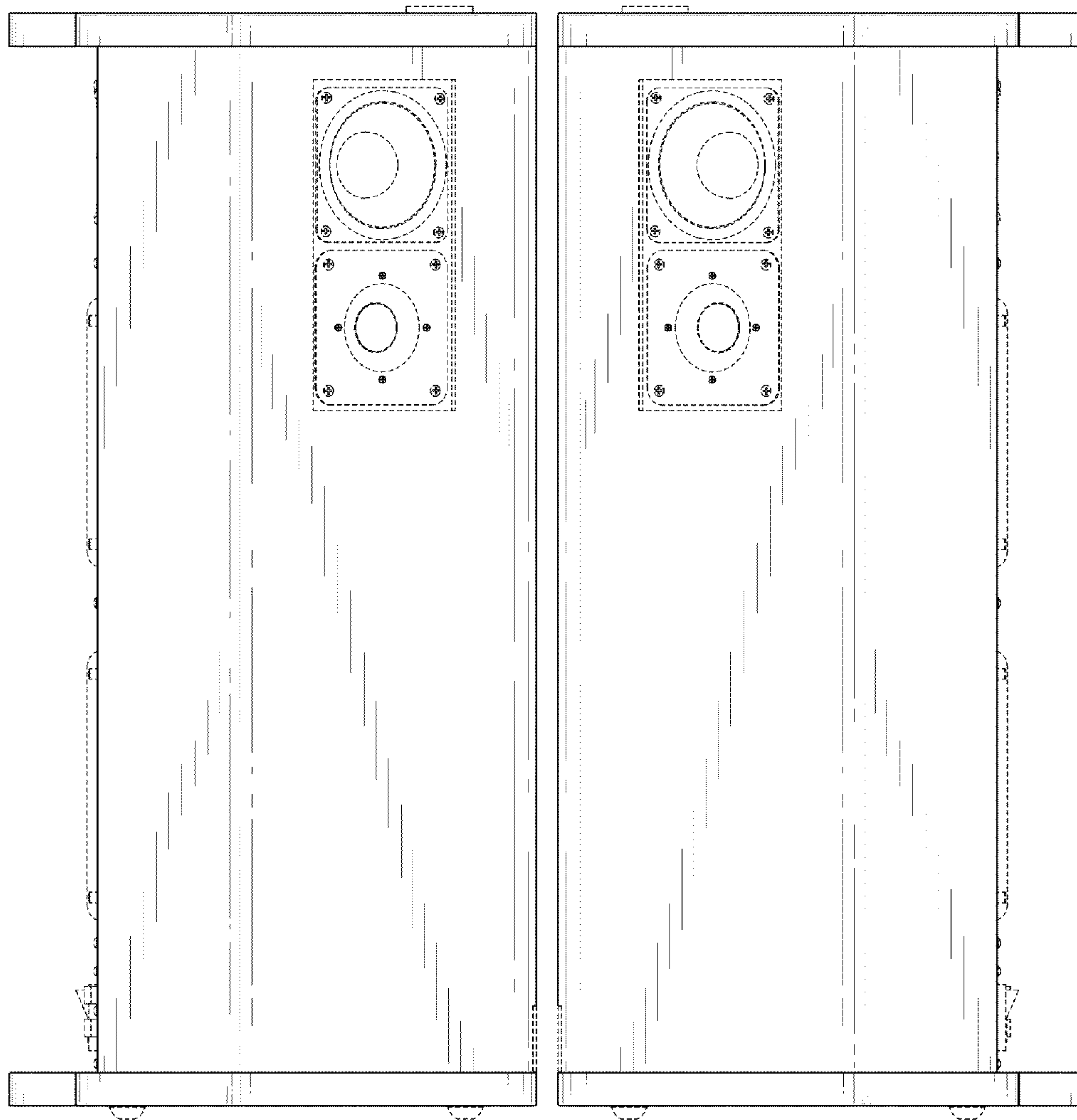


FIG. 4

FIG. 5

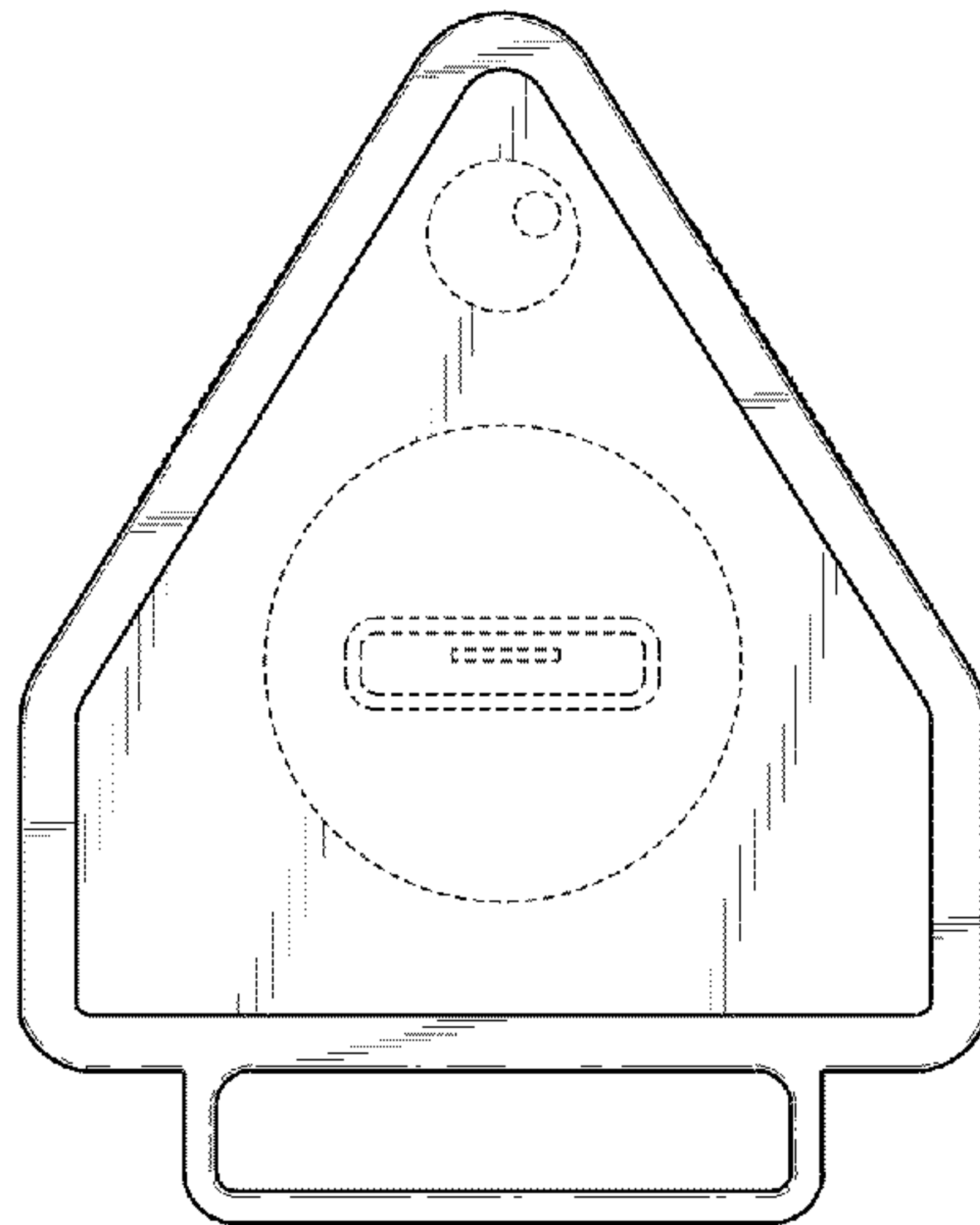


FIG. 6

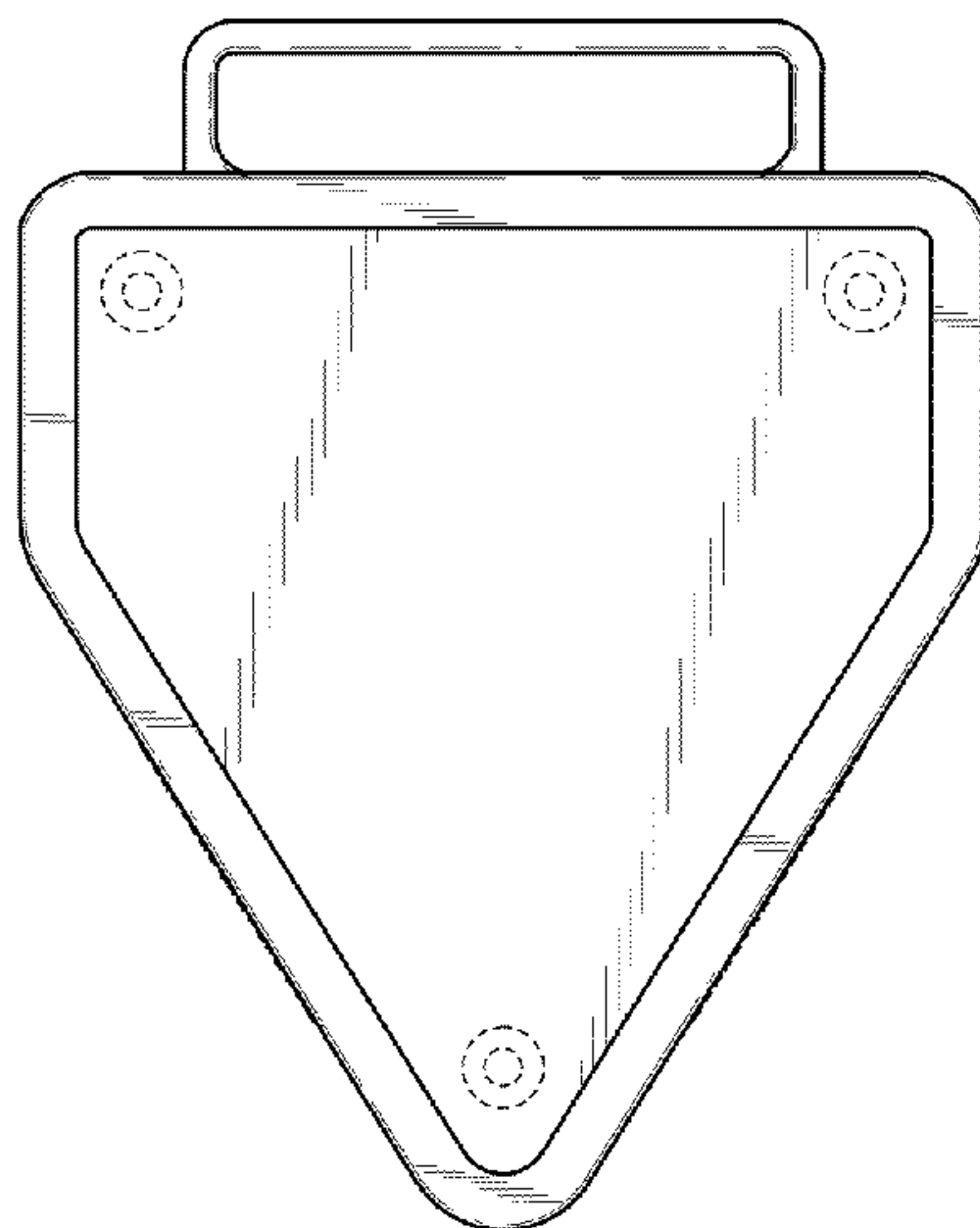


FIG. 7