



US00D670675S

(12) **United States Design Patent**
Garneau et al.

(10) **Patent No.:** **US D670,675 S**
(45) **Date of Patent:** **** Nov. 13, 2012**

(54) **JUKEBOX**

(75) Inventors: **Charles Garneau**, Bois-des-Filion (CA); **Benoit Tessier**, Boisbriand (CA); **Ed Rivera**, New York, NY (US); **Michael Tooker**, Montreal (CA); **Jinseok Hwang**, Palisades Park, NJ (US); **Jonas Damon**, New York, NY (US)

(73) Assignee: **TouchTunes Music Corporation**, New York, NY (US)

(**) Term: **14 Years**

(21) Appl. No.: **29/401,854**

(22) Filed: **Sep. 16, 2011**

(51) **LOC (9) Cl.** **14-01**

(52) **U.S. Cl.** **D14/172; D21/325**

(58) **Field of Classification Search** D14/172, D14/173, 203.1–203.7, 496, 188, 265; D21/324, D21/325, 369; 273/148 B; 463/1, 28–35, 463/46, 47; 369/1, 6–12, 24.01, 30.06, 30.07, 369/30.08, 30.23; 710/1; 711/100, 111
See application file for complete search history.

(56) **References Cited**

U.S. PATENT DOCUMENTS

D146,176 S	1/1947	Fuller	
D152,903 S *	3/1949	Principe	D14/131
D240,266 S *	6/1976	O’Neil et al.	D14/173
4,336,935 A	6/1982	Goldfarb	
D280,747 S *	9/1985	Stasney	D21/325
D316,858 S	5/1991	Gobindram	
D324,240 S	2/1992	Huang	
D328,202 S	7/1992	Tippit	
D340,407 S	10/1993	Rahe et al.	
D355,676 S	2/1995	Wilson	
D356,079 S	3/1995	Oba	
5,630,357 A	5/1997	Akiyama	
5,651,681 A	7/1997	Chan	
D390,843 S	2/1998	Rosen	
5,771,778 A *	6/1998	MacLean, IV	99/323.6

D397,335 S	8/1998	Matsushita	
D405,781 S	2/1999	Renk	
D405,791 S *	2/1999	Menke et al.	D14/173
6,048,271 A	4/2000	Barcelou	
D426,527 S	6/2000	Sakaguchi	
6,079,985 A	6/2000	Wohl et al.	
6,086,380 A	7/2000	Chu et al.	
D442,152 S	5/2001	Roustaei	
D449,346 S *	10/2001	Gatto et al.	D21/325
6,346,951 B1	2/2002	Mastronardi	
6,430,117 B2 *	8/2002	Zimmer	369/30.06
D475,029 S	5/2003	Nathan	
6,708,812 B2 *	3/2004	Greim	194/350
6,714,489 B2	3/2004	Kalis et al.	
D494,188 S	8/2004	Huang	
6,779,904 B1 *	8/2004	Van Dyk	362/86
D498,558 S	11/2004	Kwok	

(Continued)

OTHER PUBLICATIONS

U.S. Appl. No. 29/396,664, filed Jul. 5, 2011, Nathan et al.
U.S. Appl. No. 29/371,255, filed Dec. 14, 2010, Garneau et al.

Primary Examiner — Prabhakar Deshmukh

(74) *Attorney, Agent, or Firm* — Nixon & Vanderhye P.C.

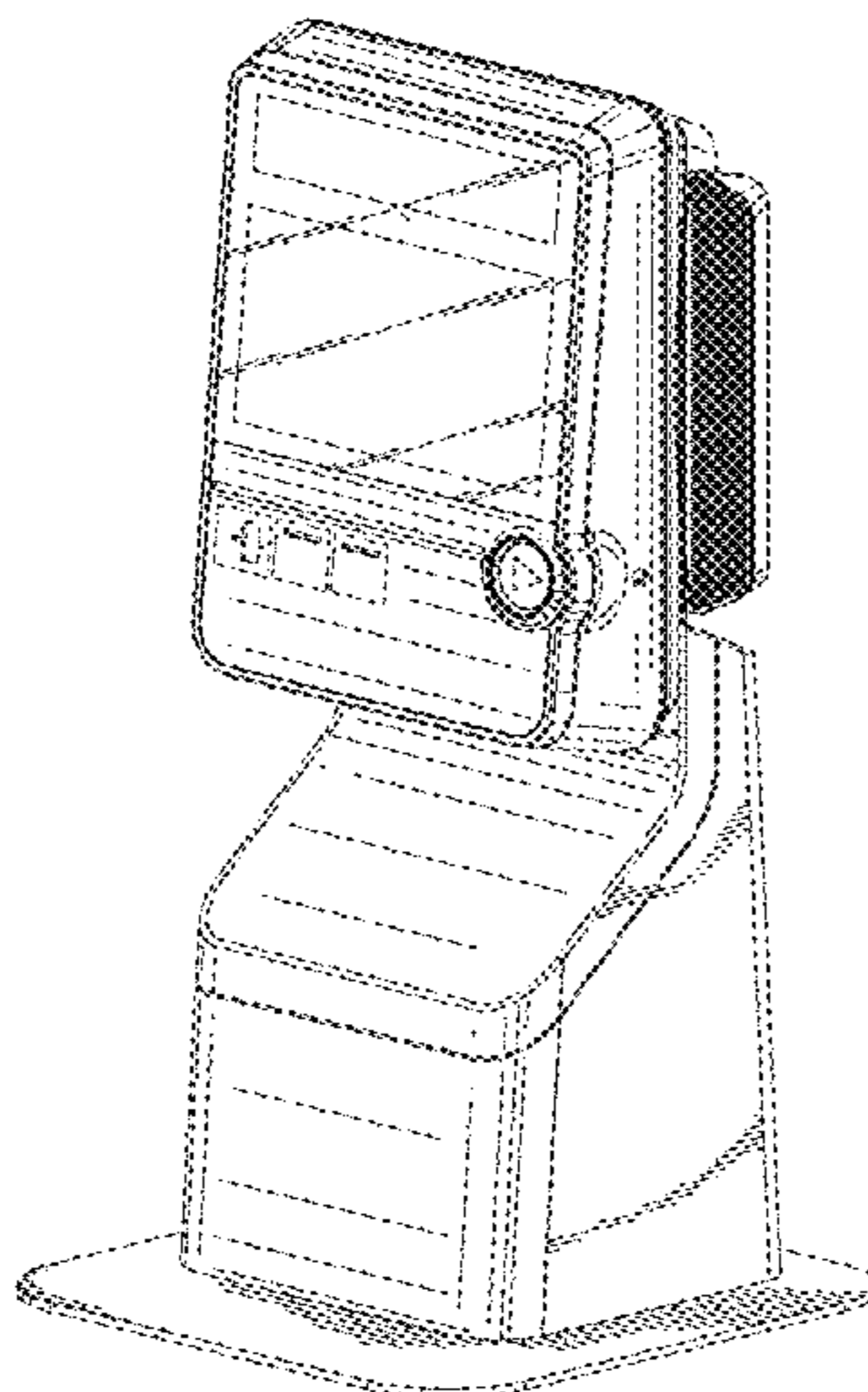
(57) **CLAIM**

The ornamental design for a jukebox and portions thereof, as shown and described.

DESCRIPTION

FIG. 1 is a front perspective view of a jukebox showing our new design;
FIG. 2 is a front elevational view thereof;
FIG. 3 is a rear elevational view thereof;
FIG. 4 is a top plan view thereof;
FIG. 5 is a bottom plan view thereof;
FIG. 6 is a right side elevational view thereof;
FIG. 7 is a left side elevational view thereof; and,
FIG. 8 is a rear perspective view thereof.
The broken lines represent environmental structure and form no part of the claimed design.

1 Claim, 7 Drawing Sheets



US D670,675 S

Page 2

U.S. PATENT DOCUMENTS

6,976,623	B1 *	12/2005	Mambakkam et al.	235/441	D617,389	S *	6/2010	Wildner et al.	D21/325
7,152,739	B1	12/2006	Burleson		D619,659	S *	7/2010	Damani	D21/325
D590,449	S *	4/2009	Ishii et al.	D21/325	D629,382	S	12/2010	Nathan et al.	
D616,414	S	5/2010	Nathan et al.		D642,553	S	8/2011	Nathan et al.	

* cited by examiner

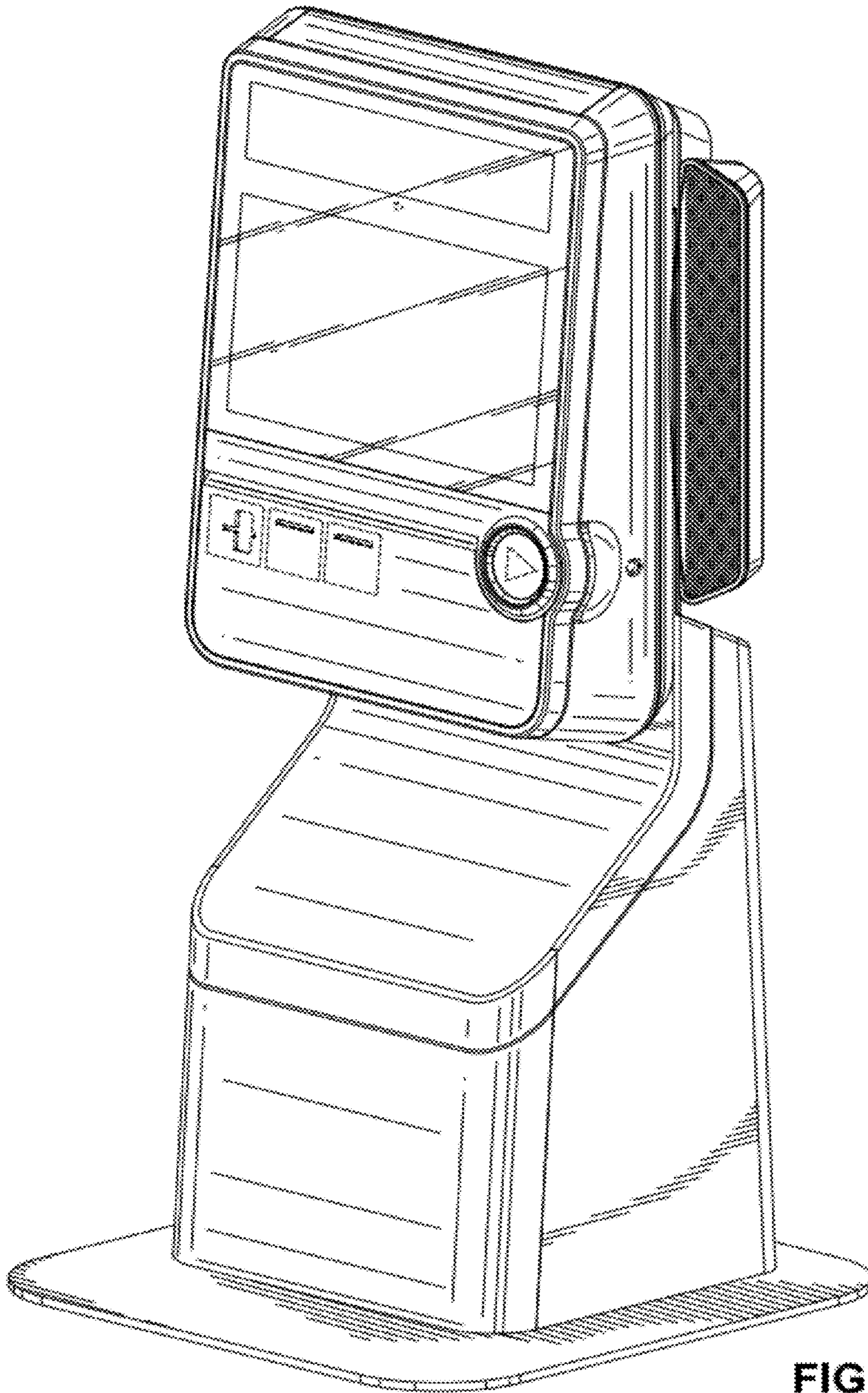


FIG. 1

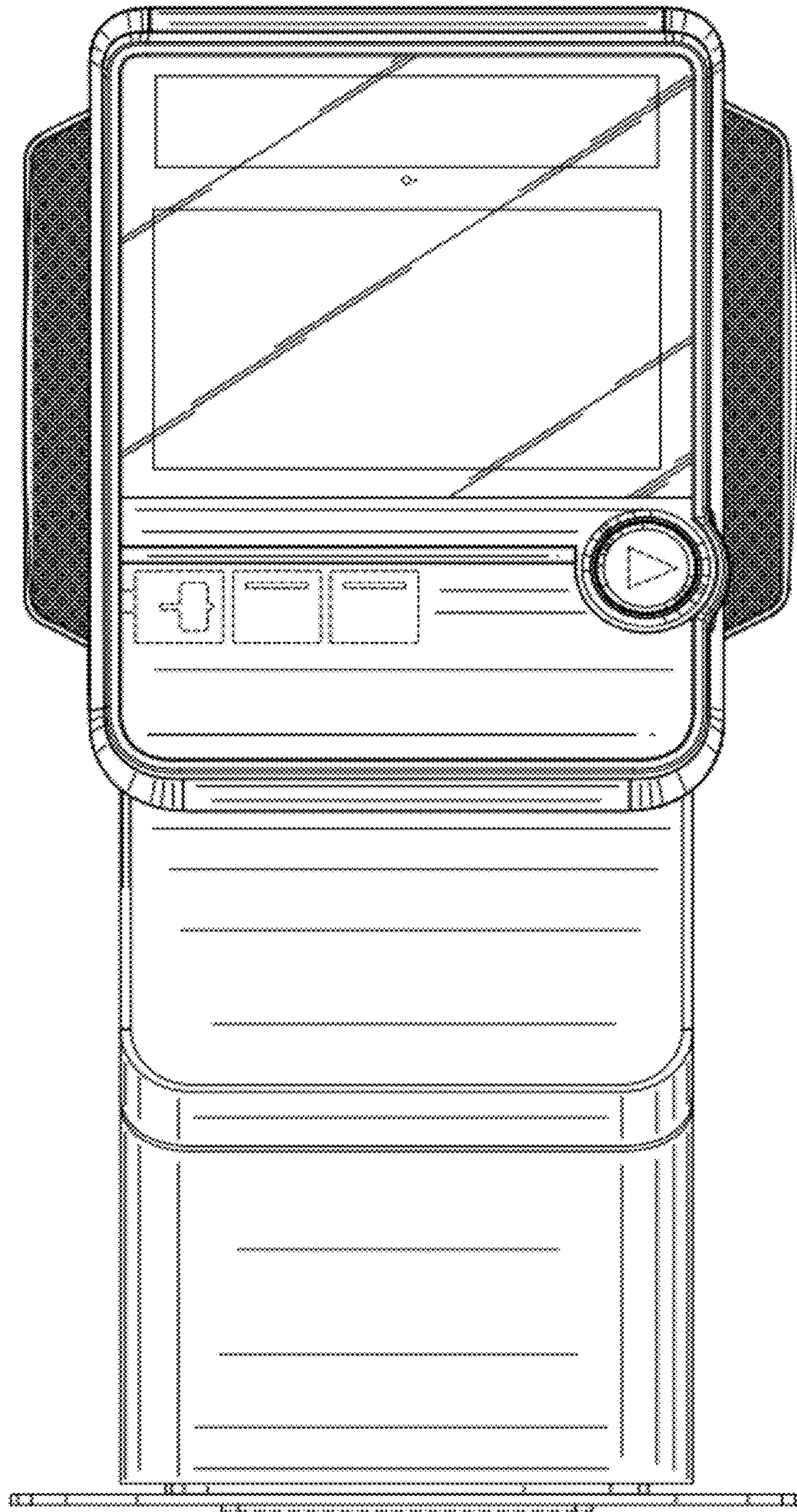


FIG. 2

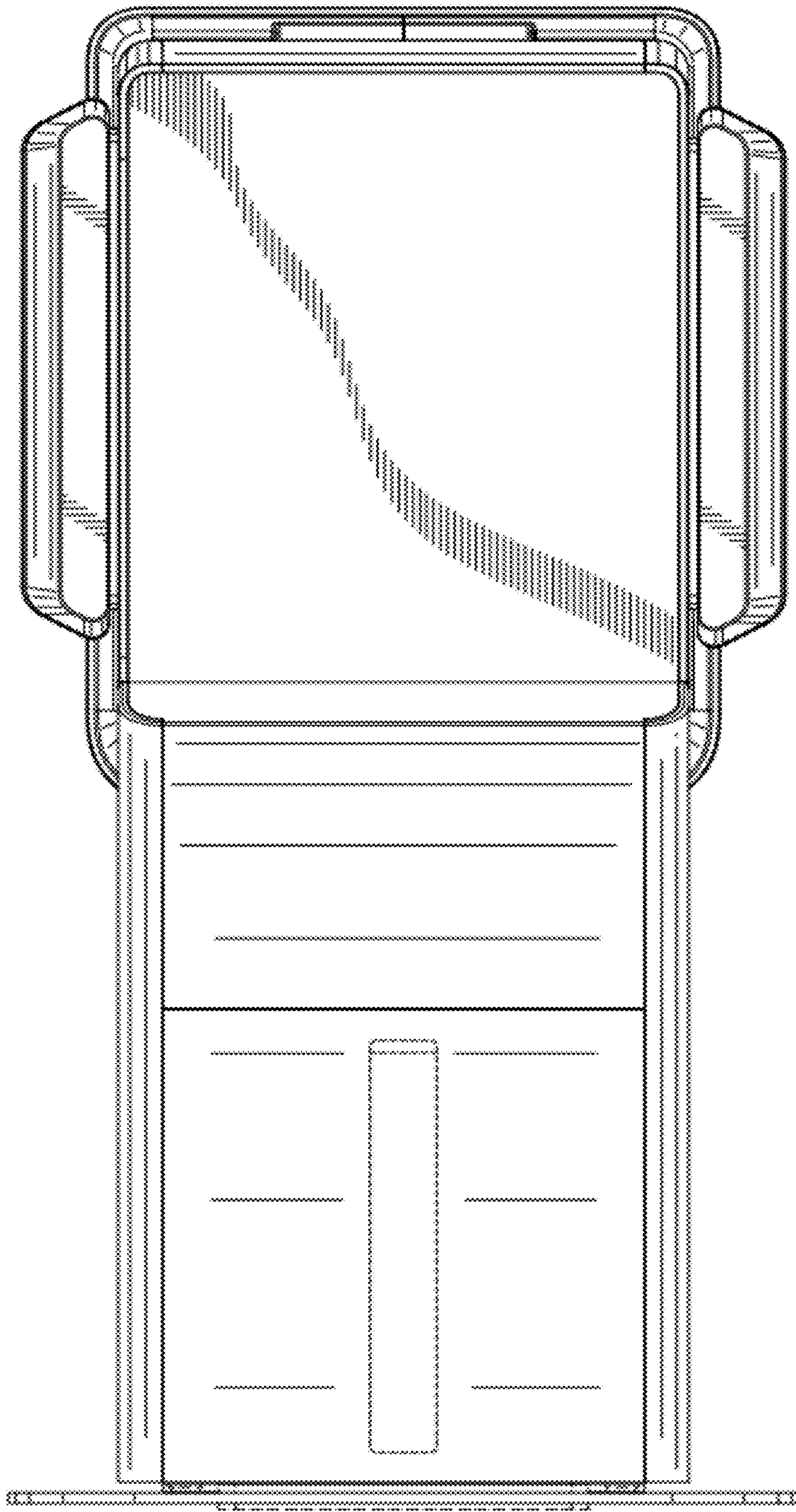


FIG. 3

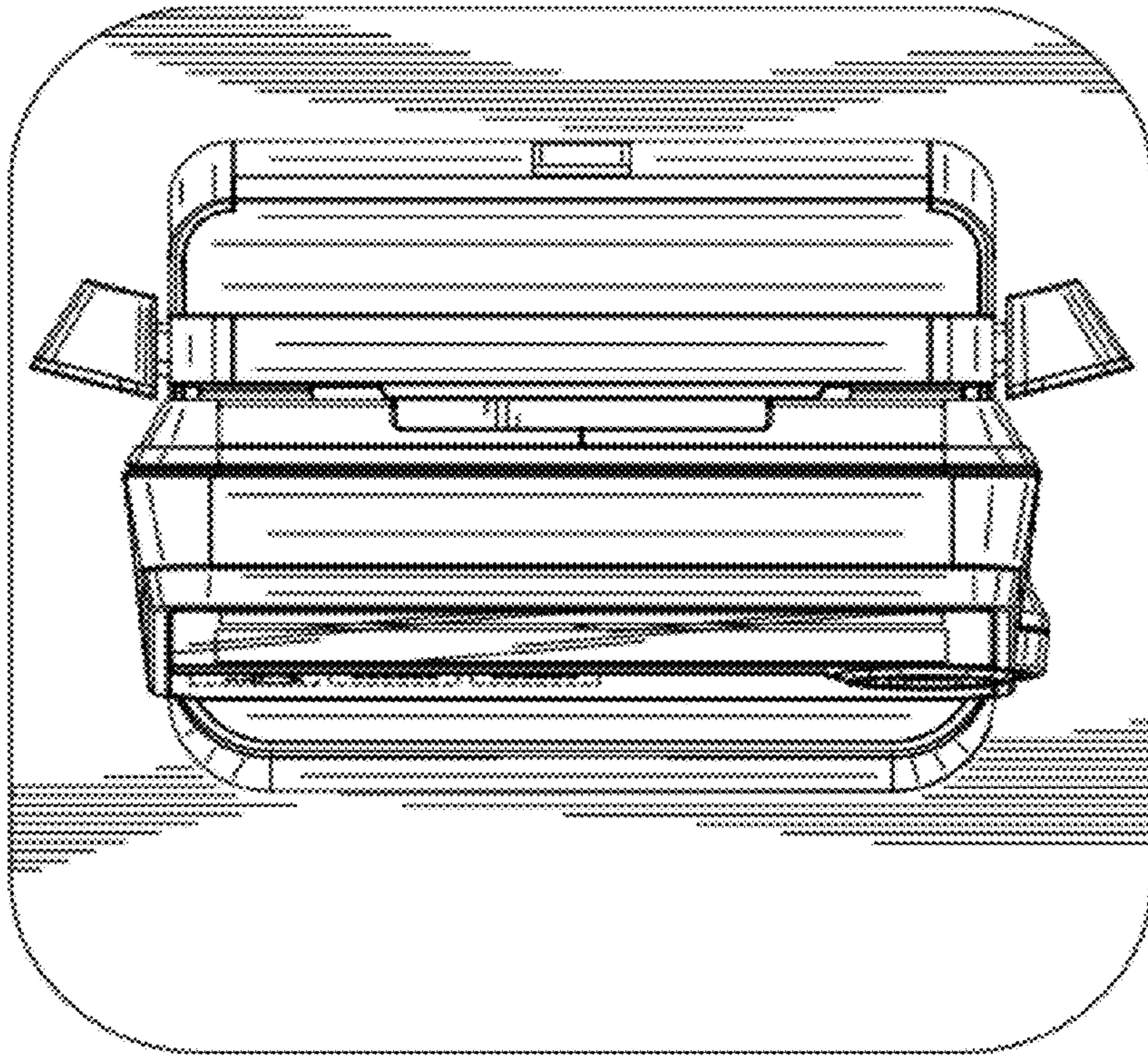


FIG. 4

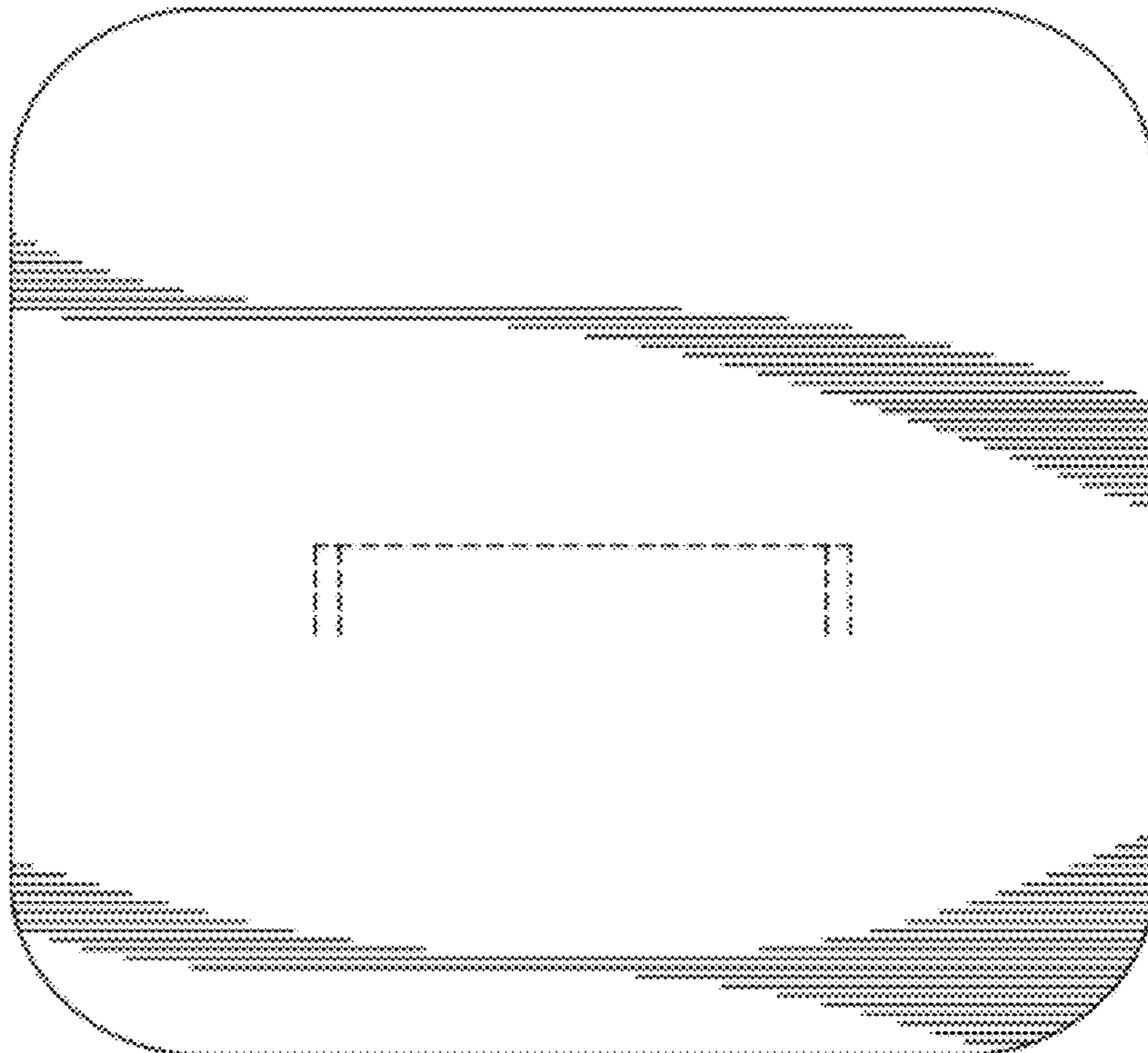


FIG. 5

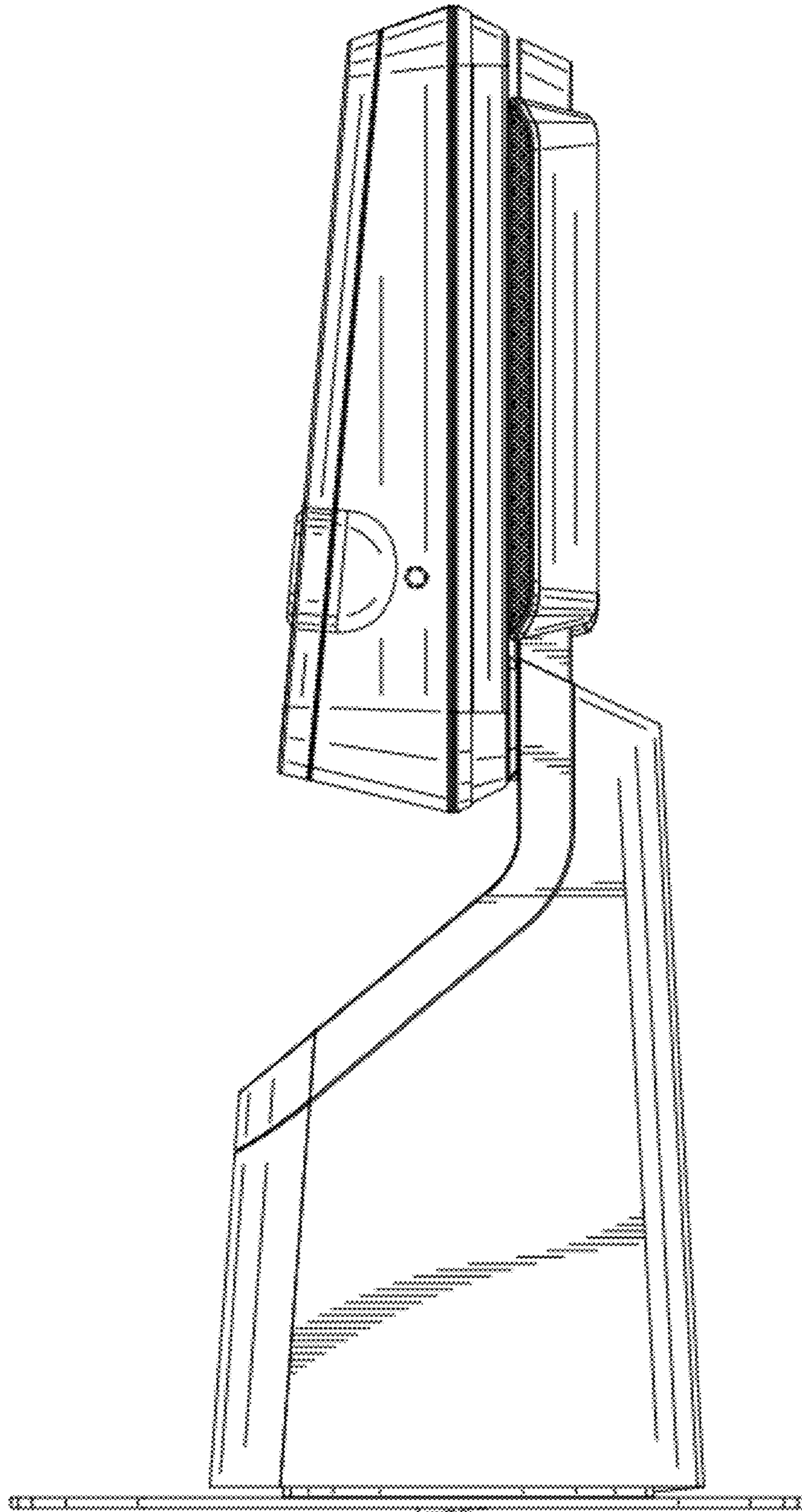


FIG. 6

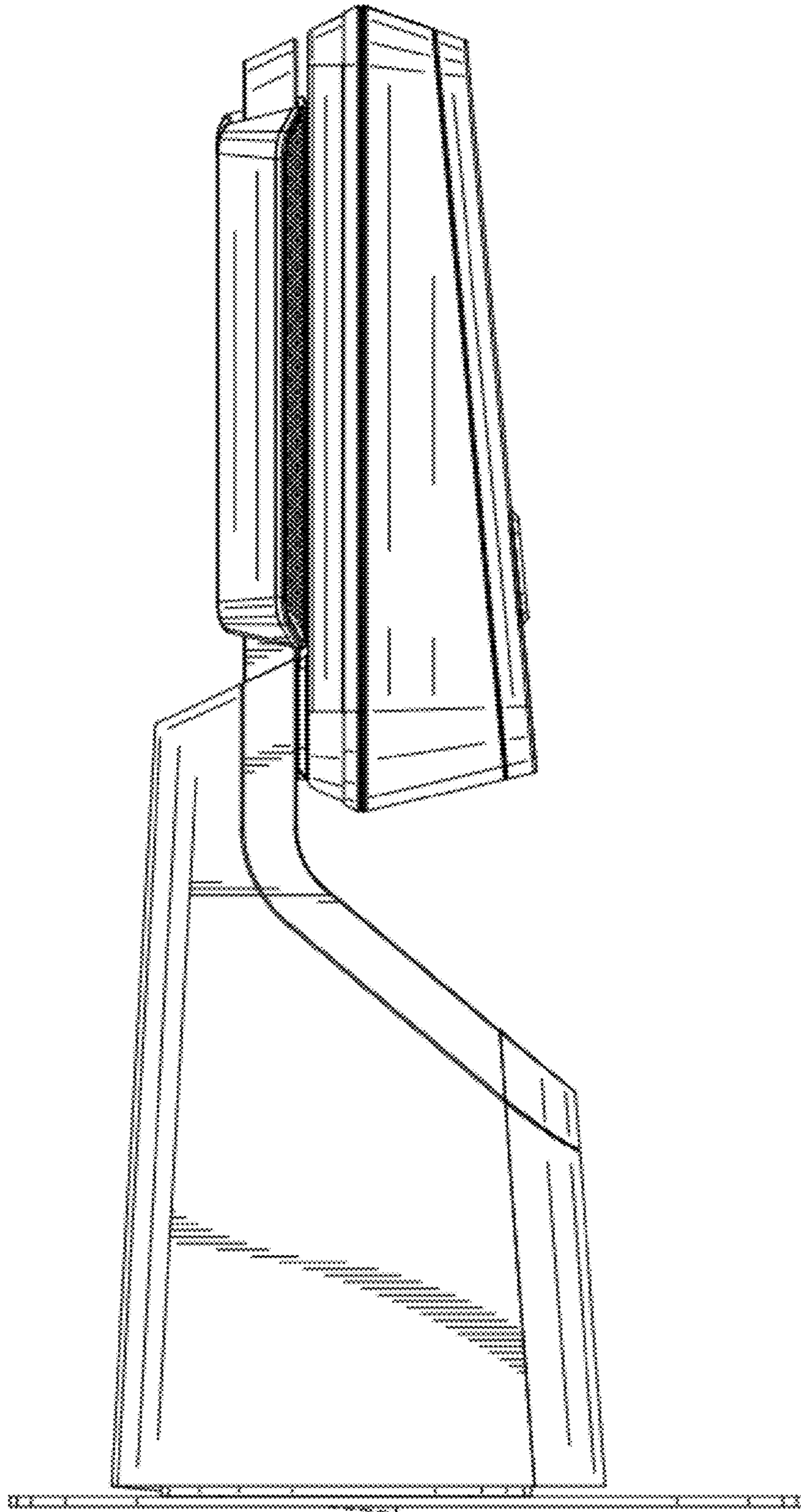


FIG. 7

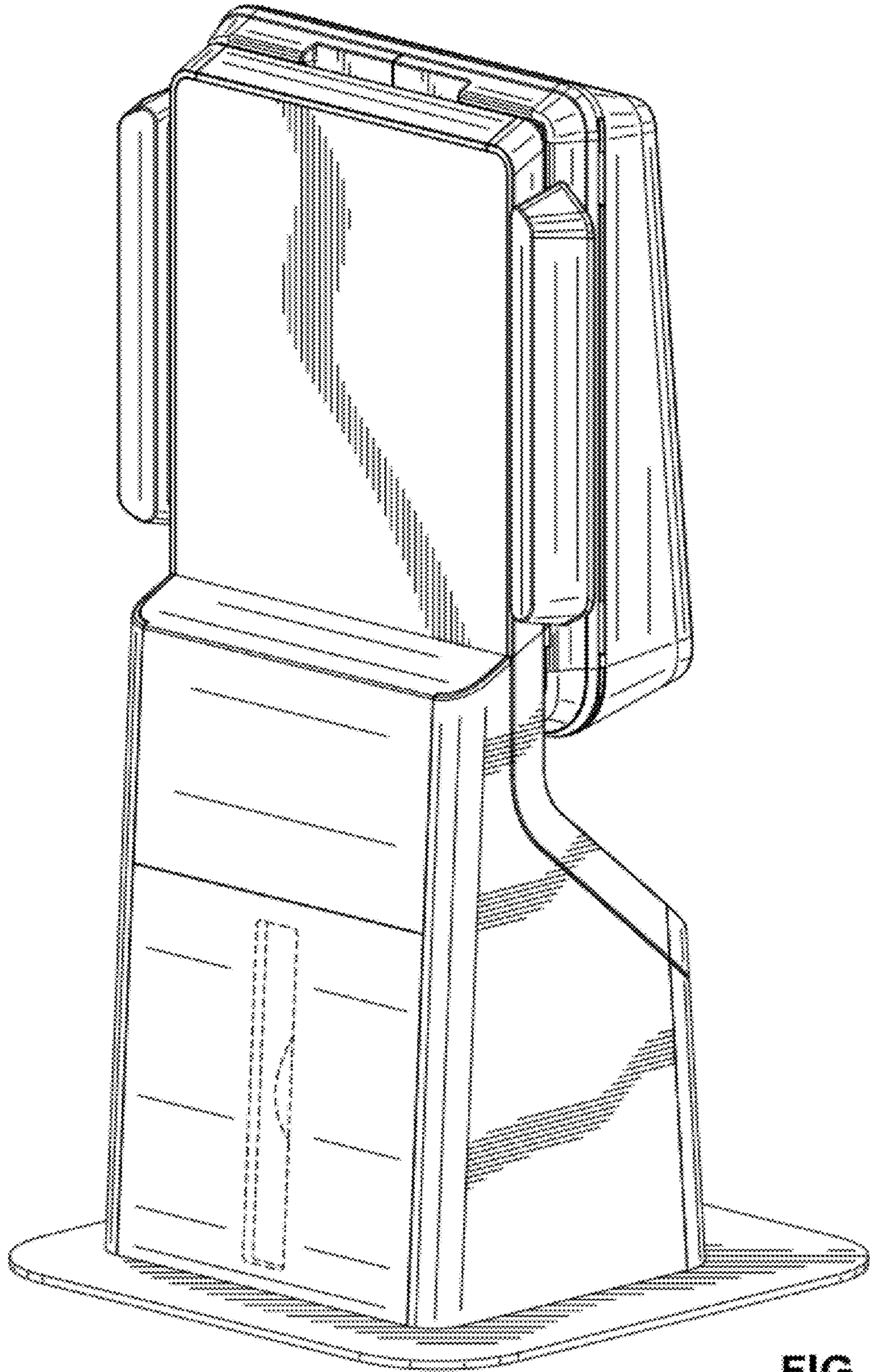


FIG. 8