

US00D670674S

(12) **United States Design Patent**
Chou et al.

(10) **Patent No.:** **US D670,674 S**
(45) **Date of Patent:** **** Nov. 13, 2012**

(54) **WIRELESS TELEPHONE**

(56) **References Cited**

(75) Inventors: **Ya-Chyi Chou**, Taoyuan Shien (TW);
Kao-Yu Hsu, New Taipei (TW);
Kang-Wen Lin, New Taipei (TW)
(73) Assignee: **Quanta Computer Inc.**, Taoyuan Shien
(TW)

U.S. PATENT DOCUMENTS

D553,116 S * 10/2007 Franck et al. D14/147
D582,375 S * 12/2008 Fan et al. D14/138 AA
D620,915 S * 8/2010 Brabander D14/147
D628,186 S * 11/2010 Yang D14/138 AA
D638,393 S * 5/2011 Gonser et al. D14/147

* cited by examiner

(**) Term: **14 Years**

Primary Examiner — Sheryl Lane

(21) Appl. No.: **29/406,996**

(74) *Attorney, Agent, or Firm* — Rabin & Berdo, P.C.

(22) Filed: **Nov. 22, 2011**

(57) **CLAIM**

The ornamental design for a wireless telephone, as shown.

(30) **Foreign Application Priority Data**

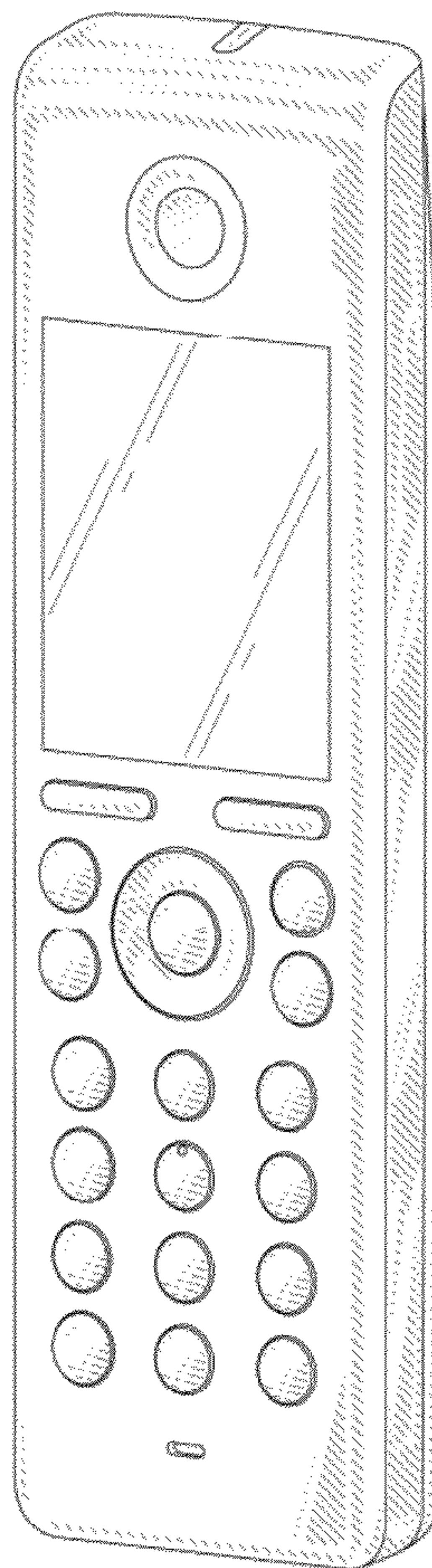
DESCRIPTION

Sep. 26, 2011 (TW) 100305085
(51) **LOC (9) Cl.** **14-03**
(52) **U.S. Cl.** **D14/148**
(58) **Field of Classification Search** D14/147,
D14/148, 149, 138 R, 138 AA, 138 AD, 138 G,
D14/191, 203.1–203.8, 496, 137, 218, 341–347,
D14/247–248; 455/566, 575.1, 575.3, 575.4;
345/168, 169, 167

FIG. 1 is a perspective view of a wireless telephone showing our new design;
FIG. 2 is a front view thereof;
FIG. 3 is a rear view thereof;
FIG. 4 is a left side view thereof;
FIG. 5 is a right side view thereof;
FIG. 6 is a top view thereof; and,
FIG. 7 is a bottom view thereof.

See application file for complete search history.

1 Claim, 5 Drawing Sheets



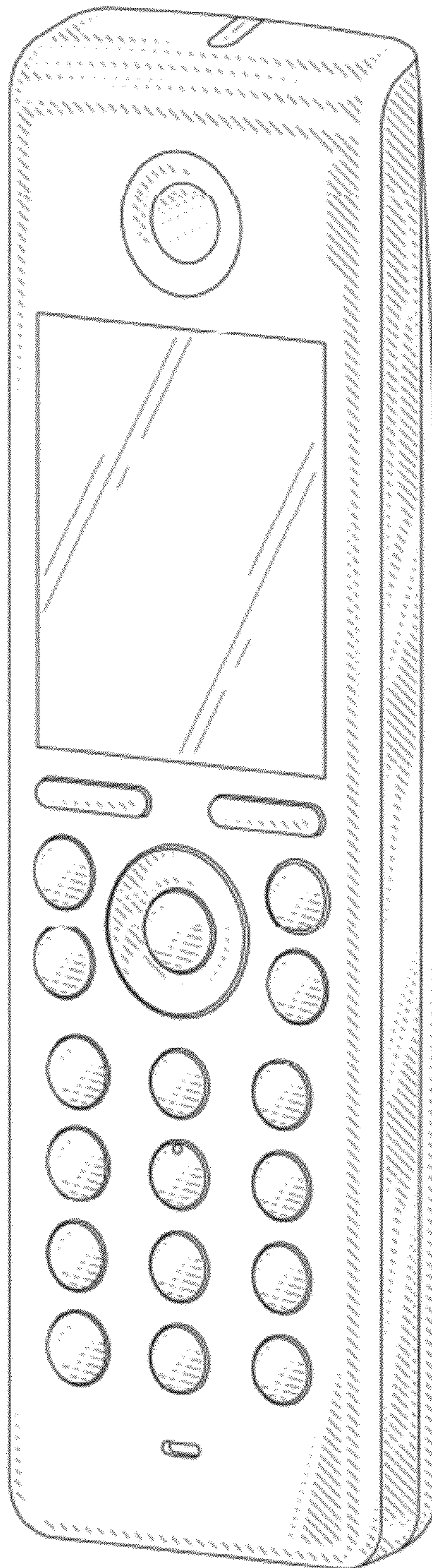


FIG. 1

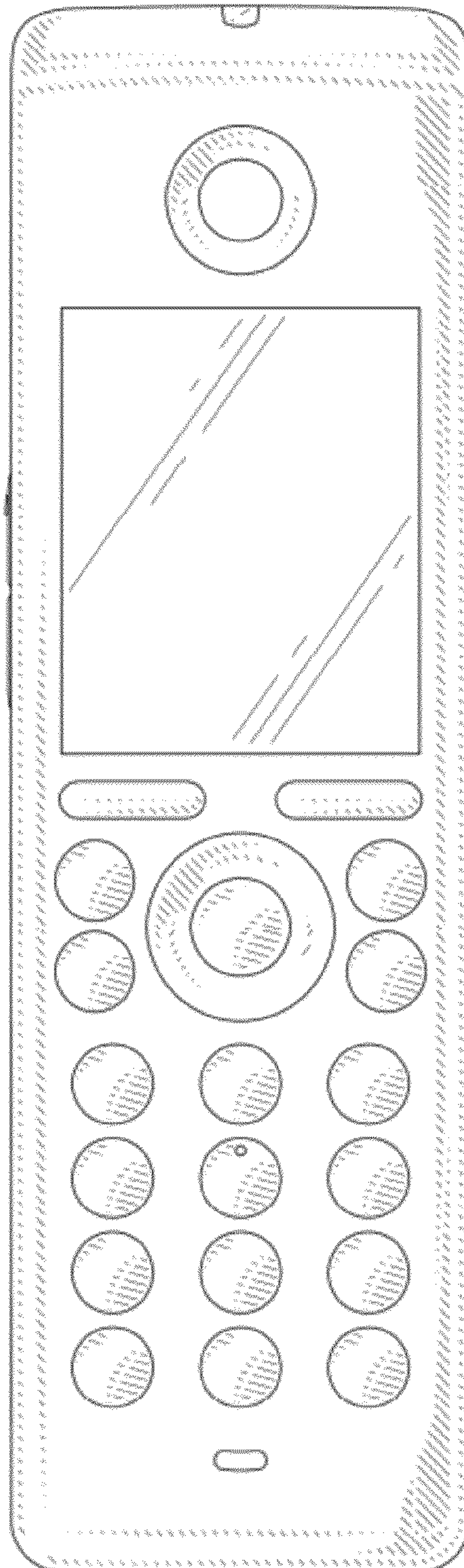


FIG. 2

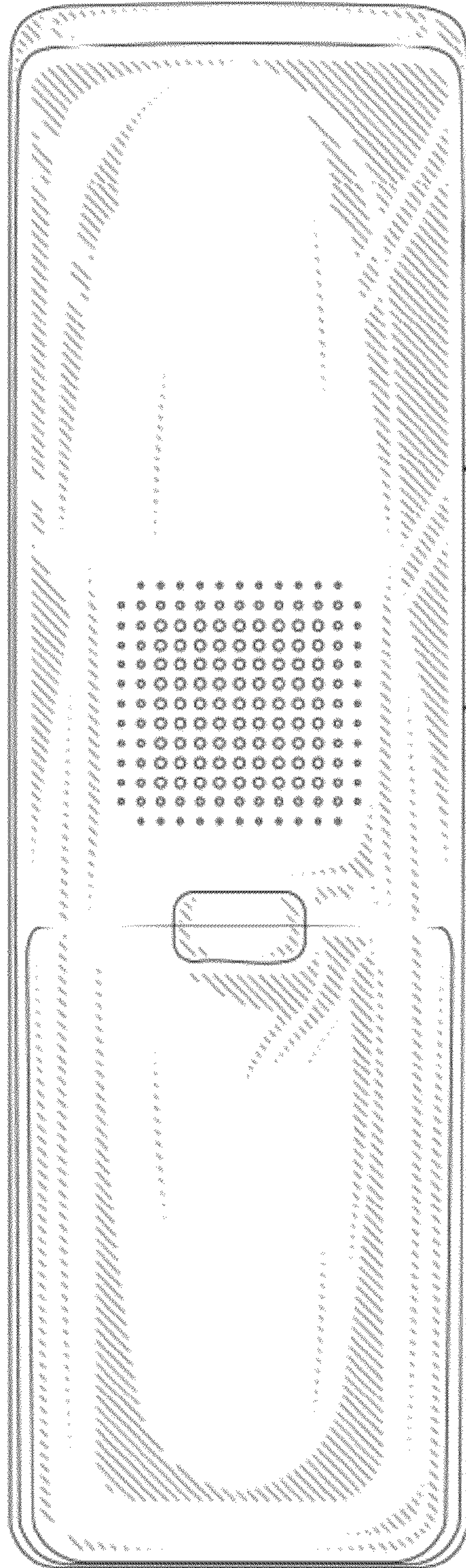


FIG. 3

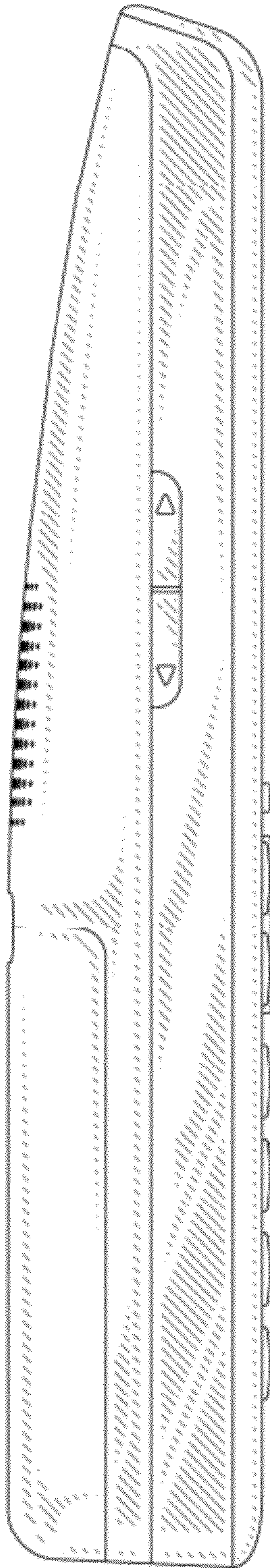


FIG. 4

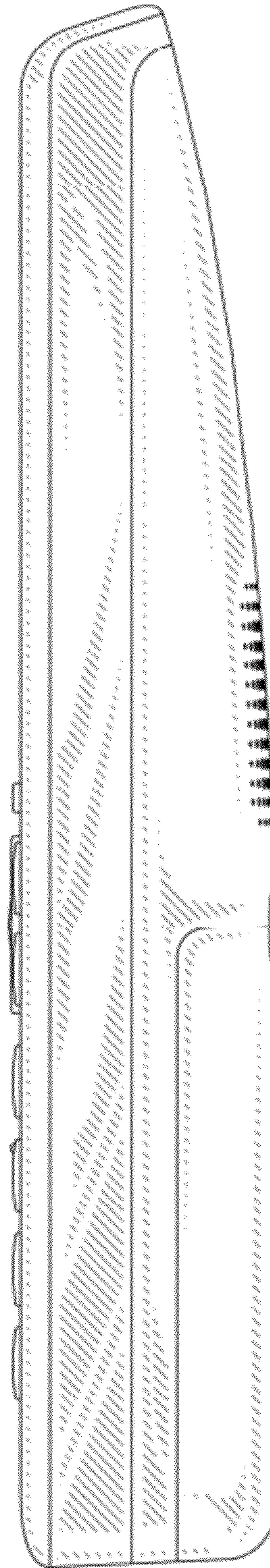


FIG. 5

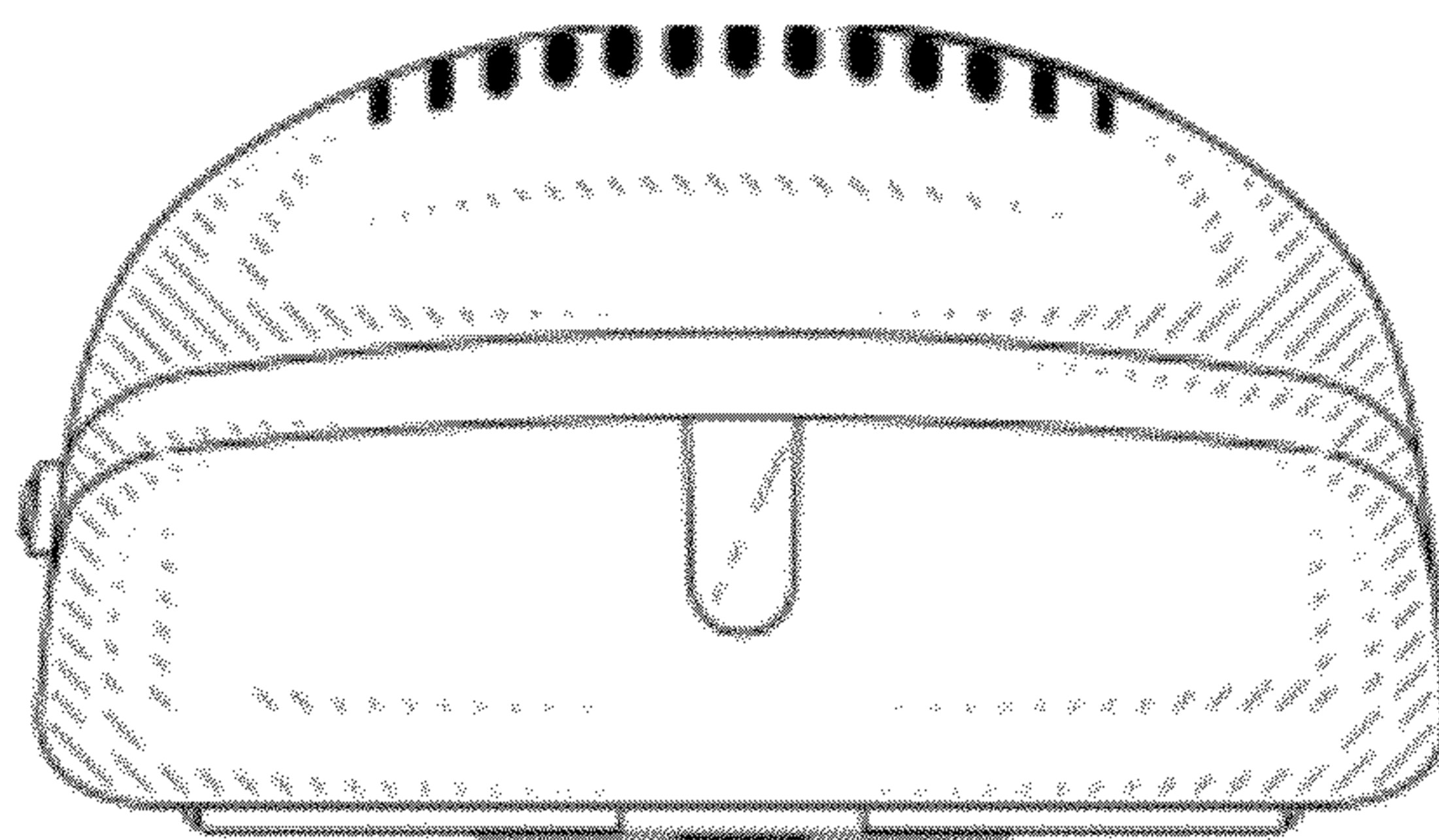


FIG. 6

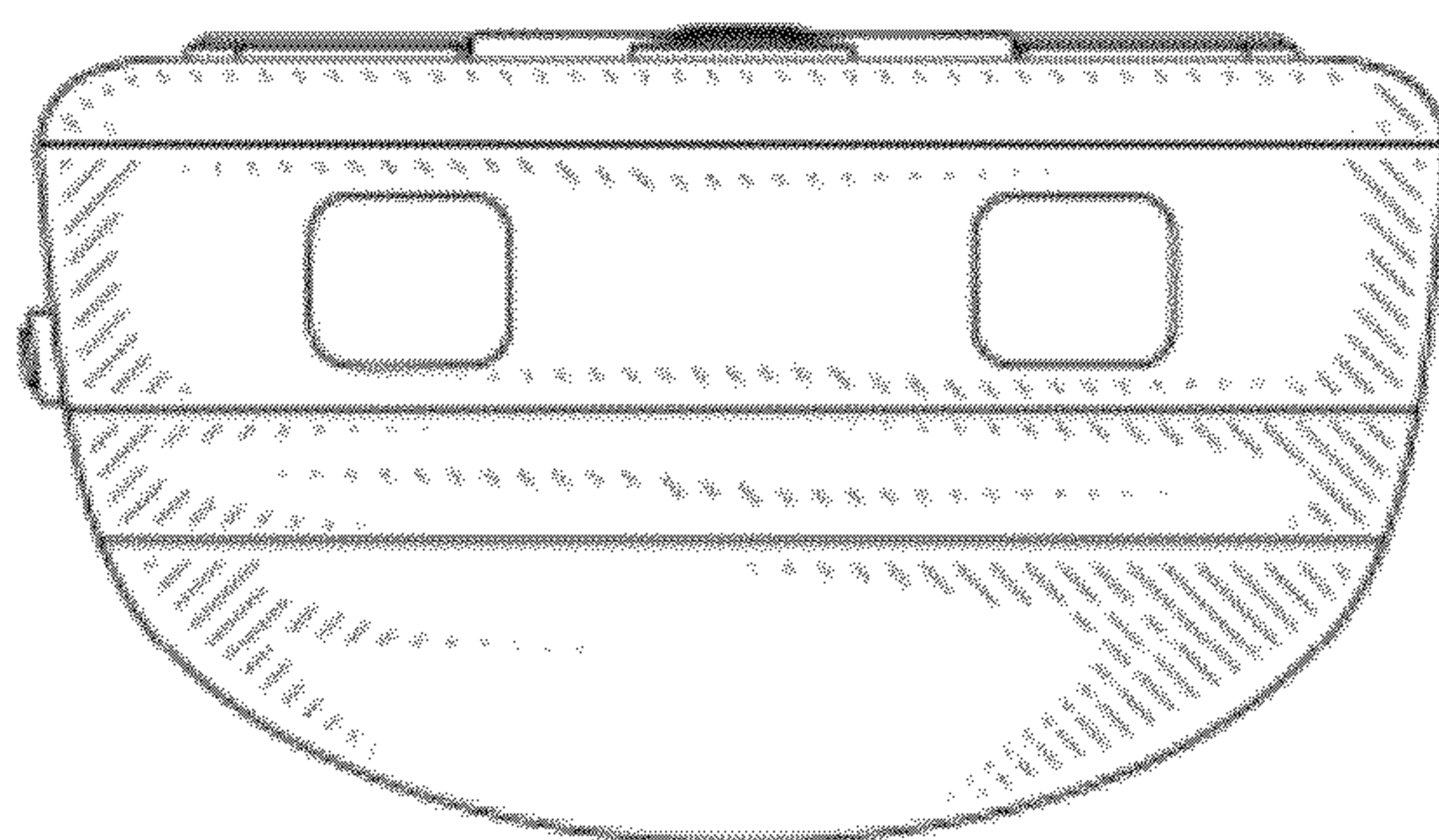


FIG. 7