



US00D670673S

(12) **United States Design Patent**  
**Roka**

(10) **Patent No.:** **US D670,673 S**  
(45) **Date of Patent:** **\*\* Nov. 13, 2012**

(54) **MOBILE COMMUNICATIONS DEVICE WITH HANDLE MEMBERS**

(75) Inventor: **Pujan K. Roka**, Atlanta, GA (US)

(73) Assignee: **Cox Communications, Inc.**, Atlanta, GA (US)

(\*\*) Term: **14 Years**

(21) Appl. No.: **29/409,710**

(22) Filed: **Dec. 28, 2011**

**Related U.S. Application Data**

(60) Continuation of application No. 29/394,299, filed on Jun. 15, 2011, now Pat. No. Des. 653,643, which is a division of application No. 29/368,044, filed on Aug. 17, 2010, now Pat. No. Des. 641,724.

(51) **LOC (9) Cl.** ..... **14-03**

(52) **U.S. Cl.** ..... **D14/138 AD; D14/138 G**

(58) **Field of Classification Search** ..... D14/138 R, D14/138 AD, 138 AC, 138 C, 138 G, 191, D14/203.1-203.8, 496, 138 AA, 138 AB, D14/137, 147, 218, 341-347, 247-248; D10/65, D10/78, 104; D13/168; D18/7; 455/566, 455/575.1, 575.3, 575.4

See application file for complete search history.

(56) **References Cited**

**U.S. PATENT DOCUMENTS**

5,841,635	A	11/1998	Sadler et al.	
D443,839	S	6/2001	Brandenberg et al.	
6,983,175	B2	1/2006	Kwon	
6,989,984	B2 *	1/2006	Sutton et al.	361/679.16
7,016,182	B2	3/2006	Brandenberg et al.	
7,076,058	B2	7/2006	Ikeuchi et al.	
7,099,708	B2	8/2006	Rönkkö	
7,187,363	B2	3/2007	Nguyen et al.	
7,221,560	B2	5/2007	Varela	
D546,795	S *	7/2007	Kim et al.	D14/138 AB

7,269,450	B2	9/2007	Lee et al.
7,283,847	B2	10/2007	Kim
D557,239	S	12/2007	Lee
D557,674	S	12/2007	Lee et al.
D558,724	S	1/2008	Hsu et al.
D560,231	S	1/2008	Lee
D565,039	S	3/2008	Loiske et al.
D567,819	S	4/2008	Devericks et al.
D569,837	S	5/2008	Baik et al.

(Continued)

**FOREIGN PATENT DOCUMENTS**

CN 1327336 12/2001

(Continued)

**OTHER PUBLICATIONS**

Slash Gear. Web. Aug. 17, 2010. <<http://www.slashgear.com/nokia-c2-split-keyboard-phone-leaks-2883418/>>.

(Continued)

*Primary Examiner* — Bridget L Eland

(74) *Attorney, Agent, or Firm* — Sutherland Asbill & Brennan LLP

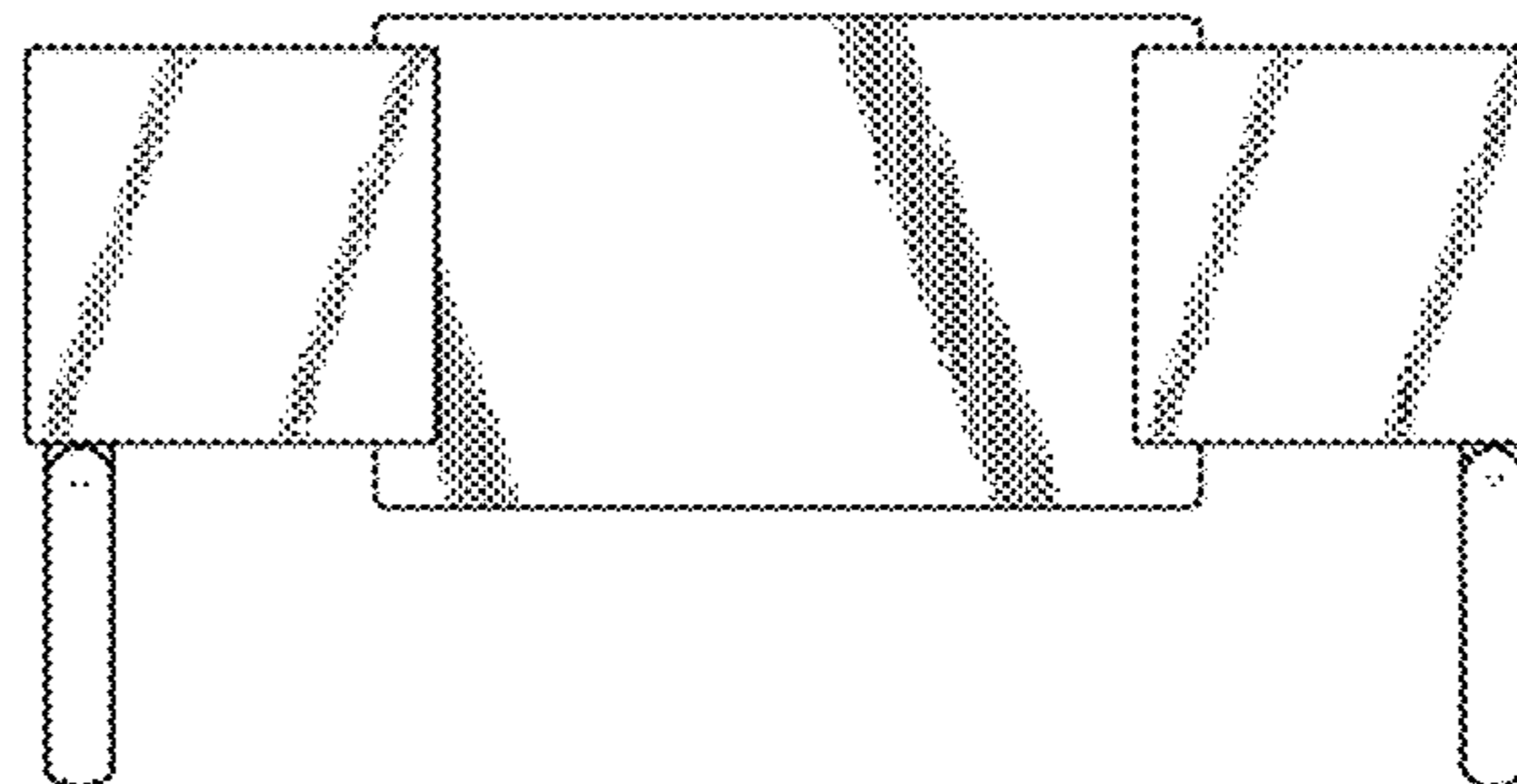
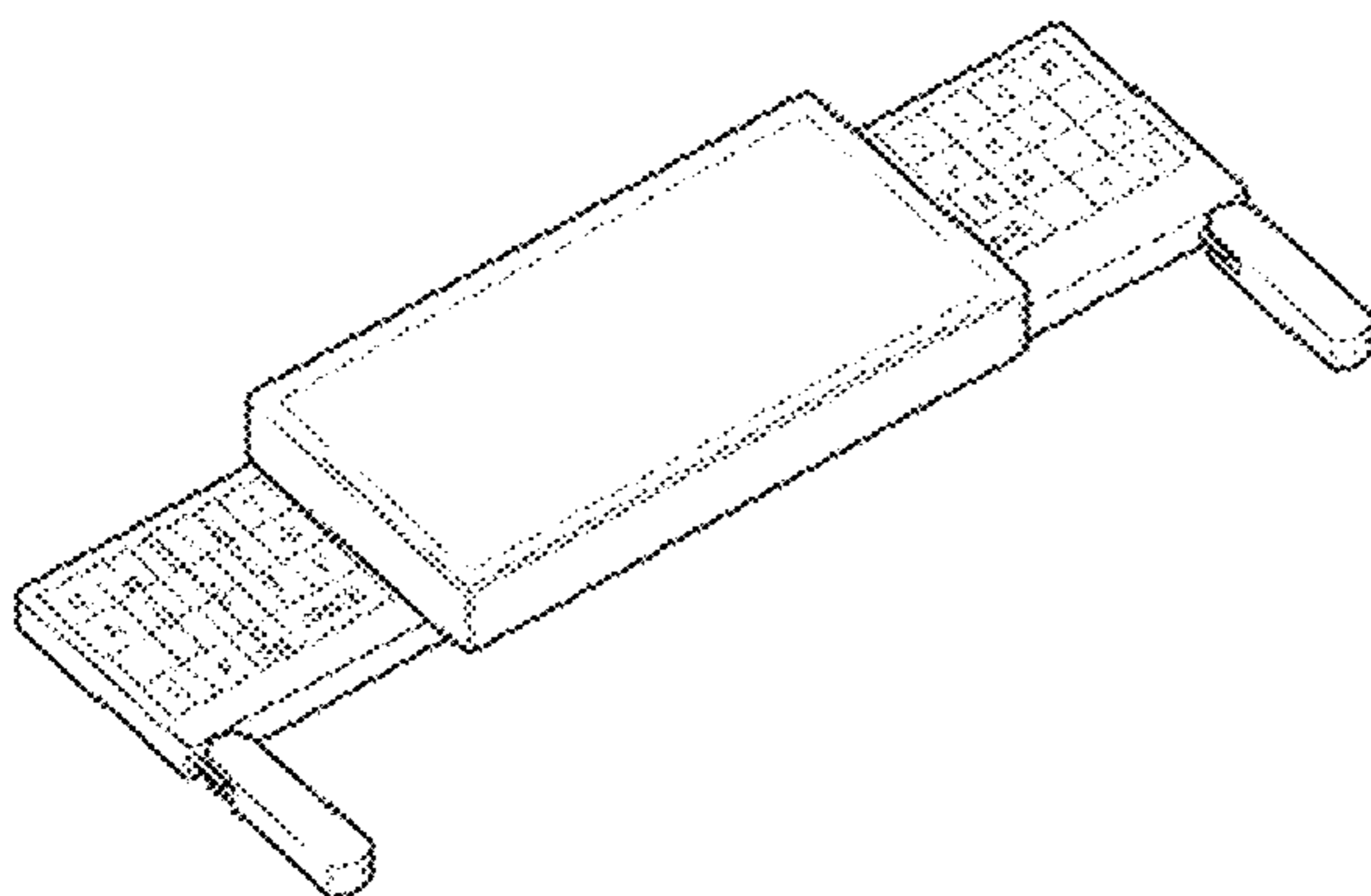
(57) **CLAIM**

The ornamental design for a mobile communications device with handle members, as shown and described.

**DESCRIPTION**

FIG. 1 is a perspective view of a mobile communications device with handle members showing my new design; FIG. 2 is a bottom view thereof; FIG. 3 is a top view thereof; FIG. 4 is a right side view thereof, the left side being a mirror image thereof; and, FIG. 5 is back surface view thereof. The broken lines are directed to environment and are for illustrative purposes only; the broken lines form no part of the claimed design.

**1 Claim, 3 Drawing Sheets**



# US D670,673 S

Page 2

## U.S. PATENT DOCUMENTS

D577,353 S 9/2008 Kim et al.  
7,450,979 B2\* 11/2008 Seo ..... 455/575.4  
D583,810 S \* 12/2008 Chen ..... D14/345  
7,489,301 B2 2/2009 Chen et al.  
7,492,891 B2\* 2/2009 Eldon ..... 379/433.12  
D589,920 S \* 4/2009 Choi et al. .... D14/138 AD  
D597,091 S \* 7/2009 Varela ..... D14/346  
D597,092 S \* 7/2009 Wang et al. .... D14/346  
7,636,592 B2 12/2009 Kim et al.  
D619,989 S \* 7/2010 Huang ..... D14/138 G  
D619,990 S \* 7/2010 Lai ..... D14/138 G  
7,884,803 B2\* 2/2011 Huang ..... 345/169  
D641,724 S \* 7/2011 Roka ..... D14/138 AD  
8,072,427 B2\* 12/2011 Pletikosa et al. .... 345/169  
D653,643 S \* 2/2012 Roka ..... D14/138 AD  
D654,050 S \* 2/2012 Duan et al. .... D14/138 AB  
D654,051 S \* 2/2012 Duan et al. .... D14/138 AD  
D654,467 S \* 2/2012 Duan et al. .... D14/138 AB  
D654,468 S \* 2/2012 Duan et al. .... D14/138 AD  
8,150,483 B2\* 4/2012 Shi et al. .... 455/575.4  
2002/0006815 A1 1/2002 Finke-Anlauff  
2005/0020323 A1\* 1/2005 Kim ..... 455/575.1  
2005/0054393 A1 3/2005 Fagerstrom et al.  
2005/0153728 A1 7/2005 Rönkkö  
2006/0056141 A1\* 3/2006 Pihlaja et al. .... 361/683

2006/0135222 A1\* 6/2006 Kim ..... 455/575.1  
2006/0270445 A1 11/2006 Miramontes  
2007/0037618 A1 2/2007 Lee  
2007/0123322 A1 5/2007 Mizushina  
2007/0287512 A1 12/2007 Kilpi et al.  
2008/0051161 A1 2/2008 Tashiro  
2009/0128368 A1 5/2009 Chen et al.  
2009/0170566 A1 7/2009 Kwon et al.  
2009/0186650 A1\* 7/2009 Kwak et al. .... 455/550.1  
2010/0079938 A1 4/2010 Paschke et al.  
2010/0311479 A1\* 12/2010 Sip et al. .... 455/575.4  
2012/0044147 A1\* 2/2012 Roka ..... 345/169

## FOREIGN PATENT DOCUMENTS

JP D1242439 6/2005  
KR 20040018169 3/2004  
WO 2004019596 3/2004

## OTHER PUBLICATIONS

Slash Gear. Web. Aug. 17, 2010. <<http://www.slashgear.com/unboxing-the-nokia-e70-smartphone-08842/>>.  
Electronista. Web. Aug. 17, 2010. <<http://www.electronista.com/articles/10/01/25/motosplit.would.have.new.kb.1ghz.chip/>>.

\* cited by examiner

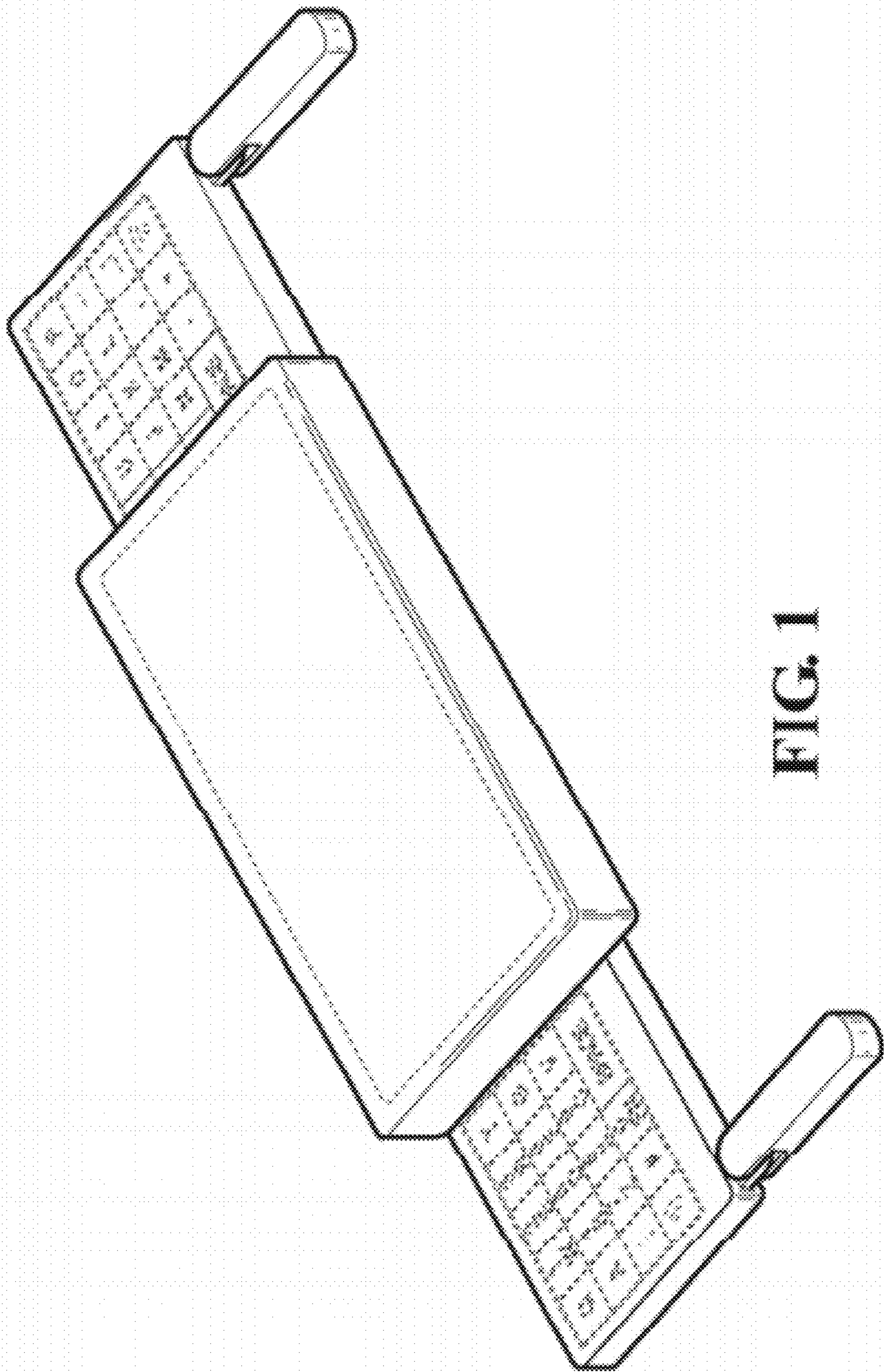


FIG. 1

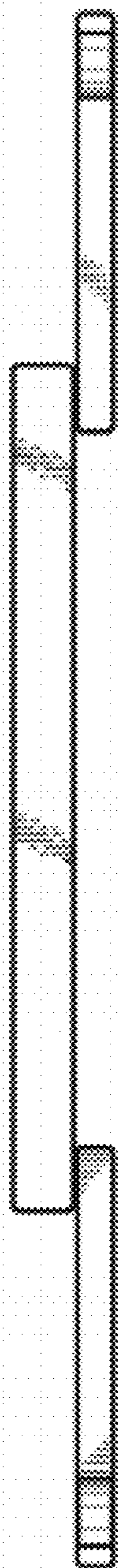


FIG. 2



FIG. 3

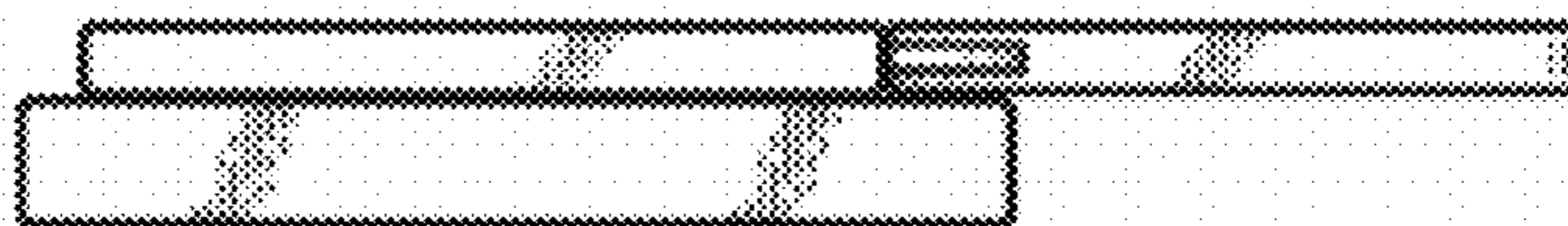


FIG. 4

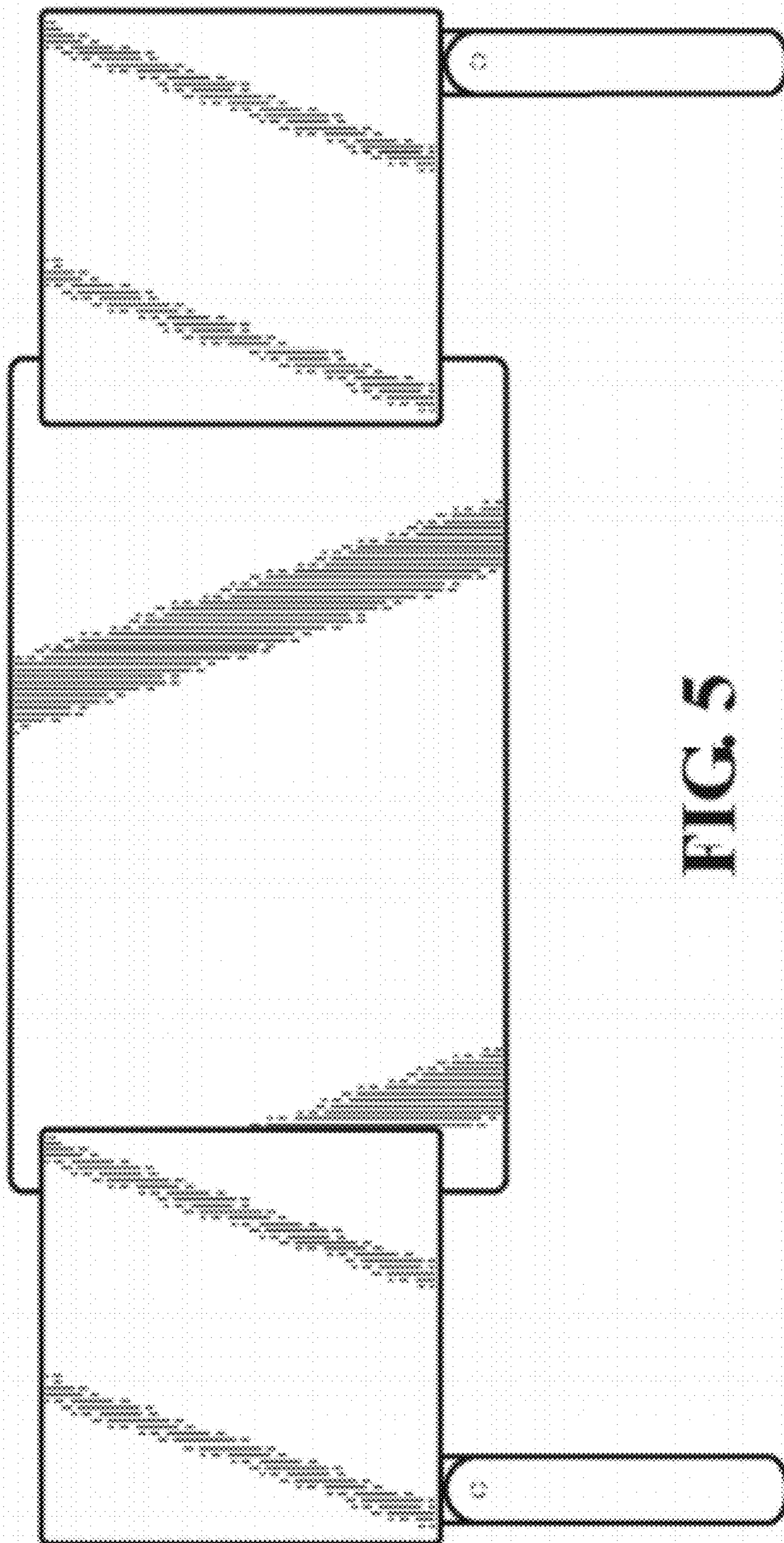


FIG. 5