



US00D670670S

(12) **United States Design Patent**
Kim et al.

(10) **Patent No.:** **US D670,670 S**
(45) **Date of Patent:** **** Nov. 13, 2012**

(54) **OLED TELEVISION RECEIVER**

(56) **References Cited**

(75) Inventors: **Yoo Seok Kim**, Seoul (KR); **Woo Suk Park**, Jeonju-si (KR); **Hye Young Hong**, Seoul (KR); **Ji Yeon Lee**, Seongnam-si (KR)

(73) Assignee: **LG Electronics Inc.**, Seoul (KR)

(**) Term: **14 Years**

(21) Appl. No.: **29/416,201**

(22) Filed: **Mar. 20, 2012**

U.S. PATENT DOCUMENTS

D488,451 S *	4/2004	Niitsu	D14/126
D584,256 S *	1/2009	Kita	D14/126
D584,257 S *	1/2009	Kita	D14/126
D619,978 S *	7/2010	Kim et al.	D14/126
D626,925 S *	11/2010	Li	D14/126
D626,927 S *	11/2010	Honda	D14/126
D639,256 S *	6/2011	Lee et al.	D14/126
D641,329 S *	7/2011	Zhang	D14/126
D642,145 S *	7/2011	Kim et al.	D14/126
D653,636 S *	2/2012	Lee et al.	D14/126
D656,114 S *	3/2012	Miyaji	D14/126
D656,912 S *	4/2012	Lee et al.	D14/126

* cited by examiner

Primary Examiner — Raphael Barkai

(74) *Attorney, Agent, or Firm* — Morgan, Lewis & Bockius LLP

(30) **Foreign Application Priority Data**

Oct. 13, 2011 (KR) 30-2011-0042581

(51) **LOC (9) Cl.** **14-03**

(52) **U.S. Cl.** **D14/126**

(58) **Field of Classification Search** D14/125-134,
D14/239, 371, 136, 374-377, 440, 450, 448,
D14/336, 342; 312/7.2; 348/836, 838, 180,
348/184, 325, 739; 341/12; 248/917-924,
248/465; 345/104, 133, 156, 168, 87, 173;
720/605, 669, 600, 655; 369/99, 197; 455/344,
455/347; D21/329, 515, 577, 622, 333, 433,
D21/448, 452, 450, 331; D6/477, 479, 300;
273/148 B; 446/484, 175, 356; D10/15,
D10/26

See application file for complete search history.

(57) **CLAIM**

We claim the ornamental design for an OLED television receiver, as shown and described.

DESCRIPTION

FIG. 1 is a perspective view of an OLED television receiver showing our new design:

FIG. 2 is a front elevation view thereof;

FIG. 3 is a rear elevation view thereof;

FIG. 4 is a left-side elevation view thereof;

FIG. 5 is a right-side elevation view thereof;

FIG. 6 is a top plan view thereof; and,

FIG. 7 is a bottom plan view thereof.

1 Claim, 4 Drawing Sheets

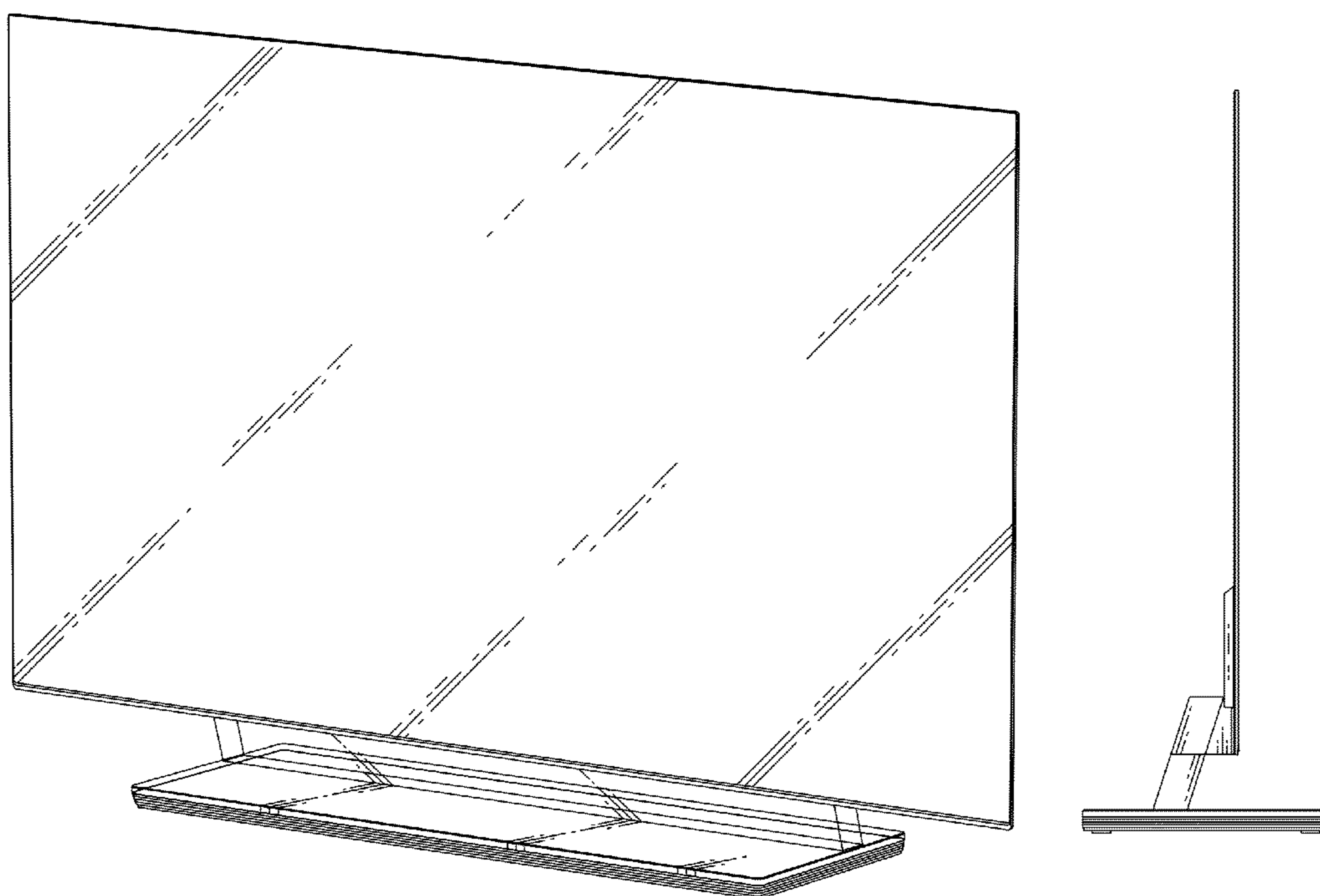


FIG. 1

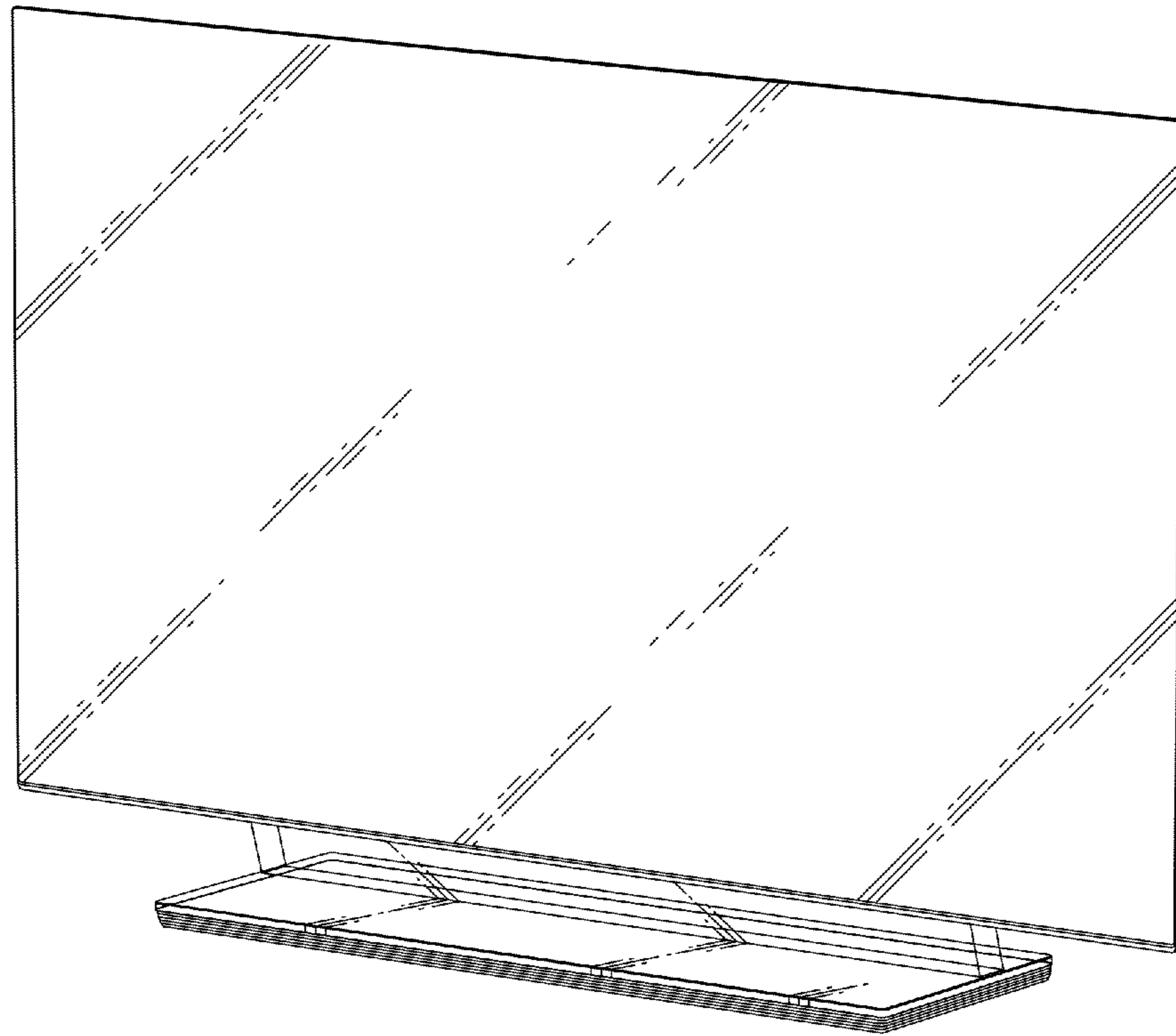


FIG.2

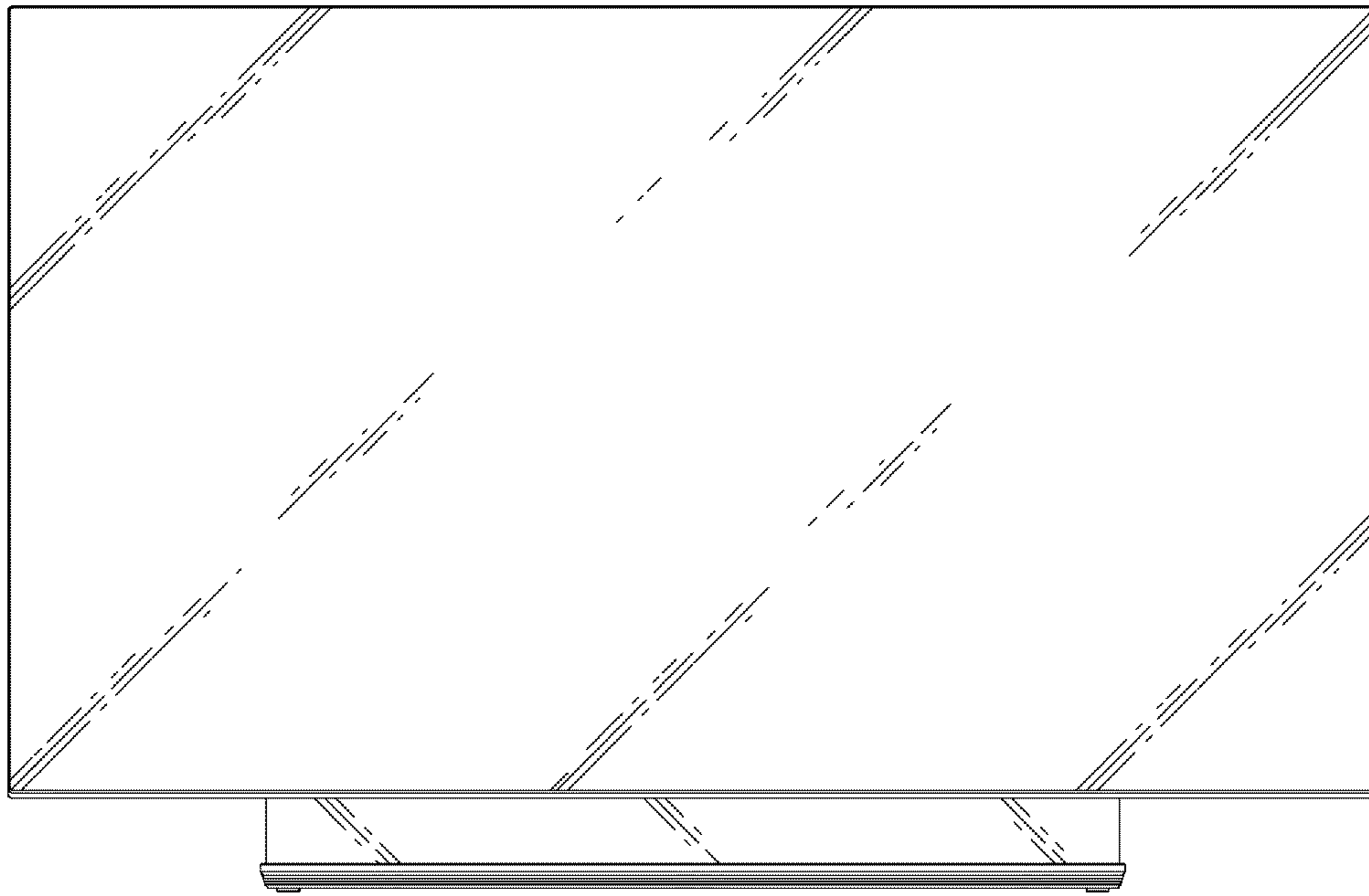


FIG.3

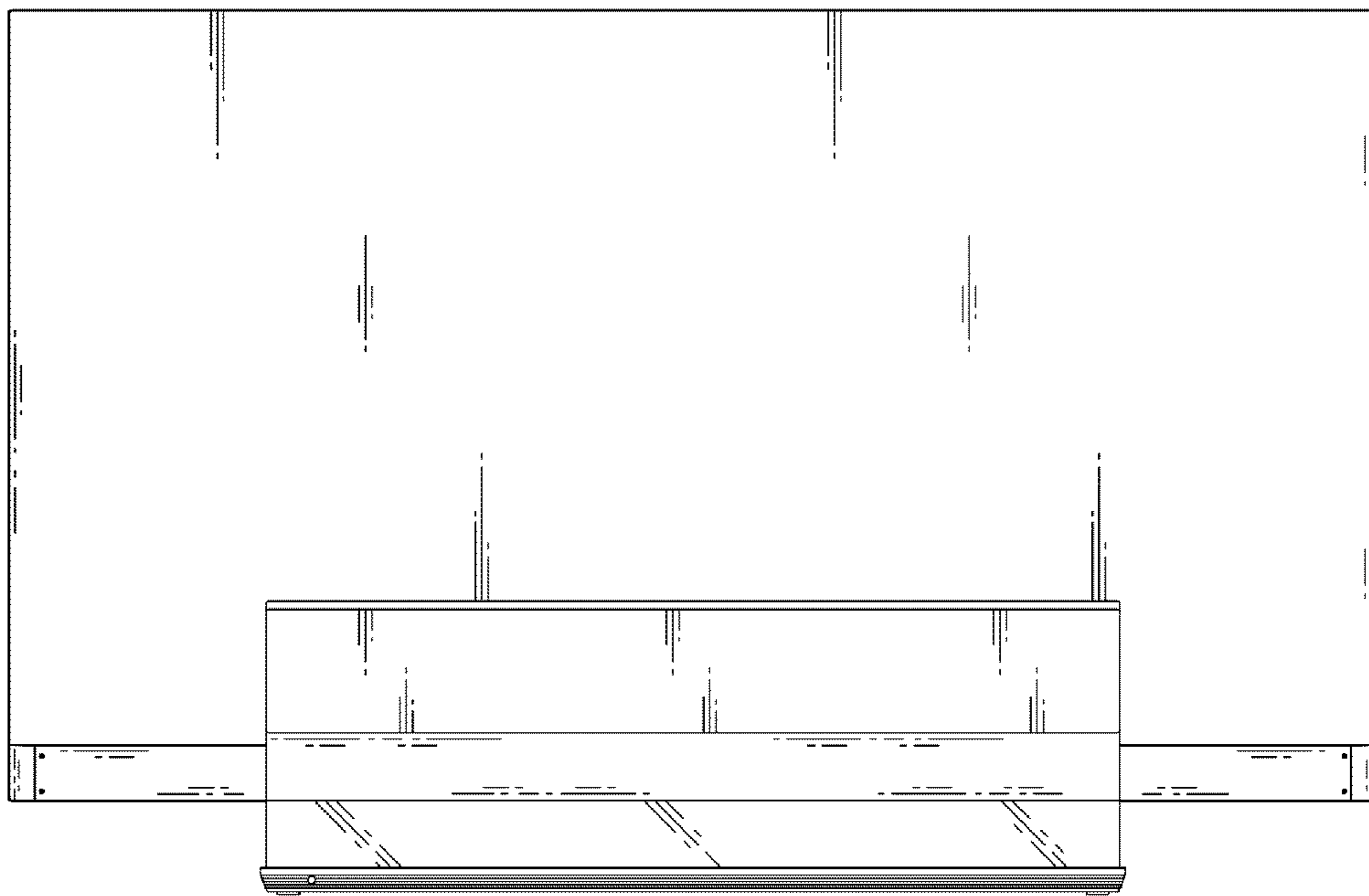


FIG. 4

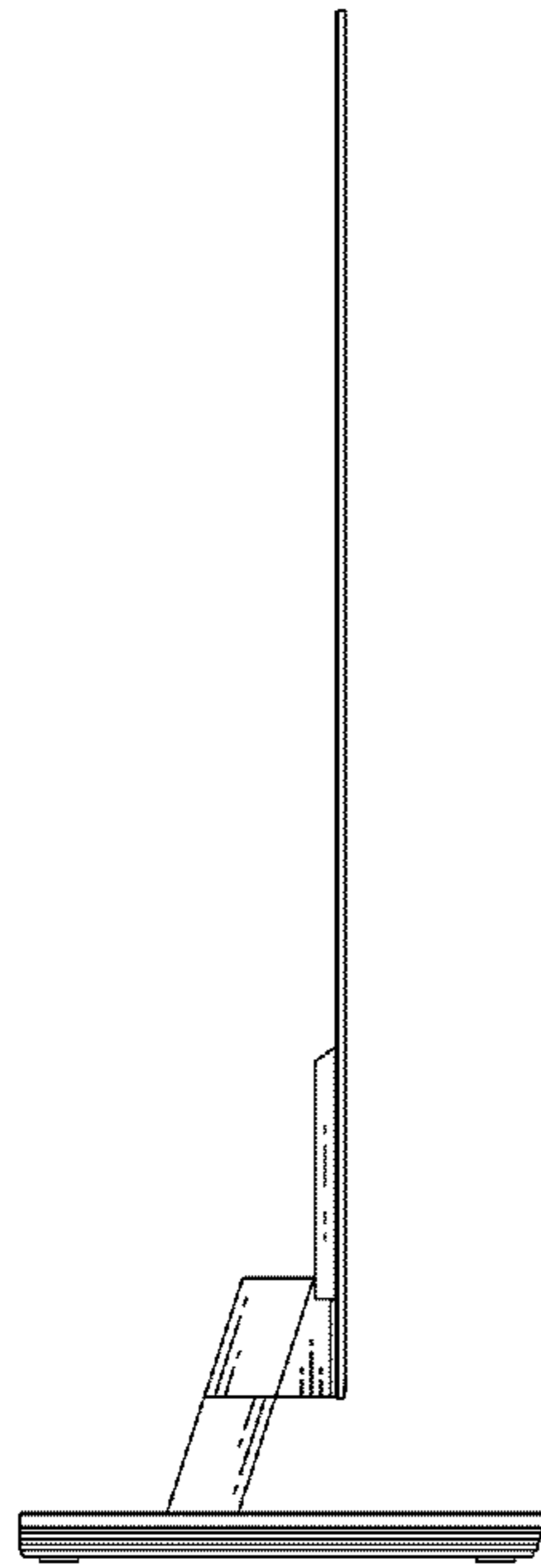


FIG. 5

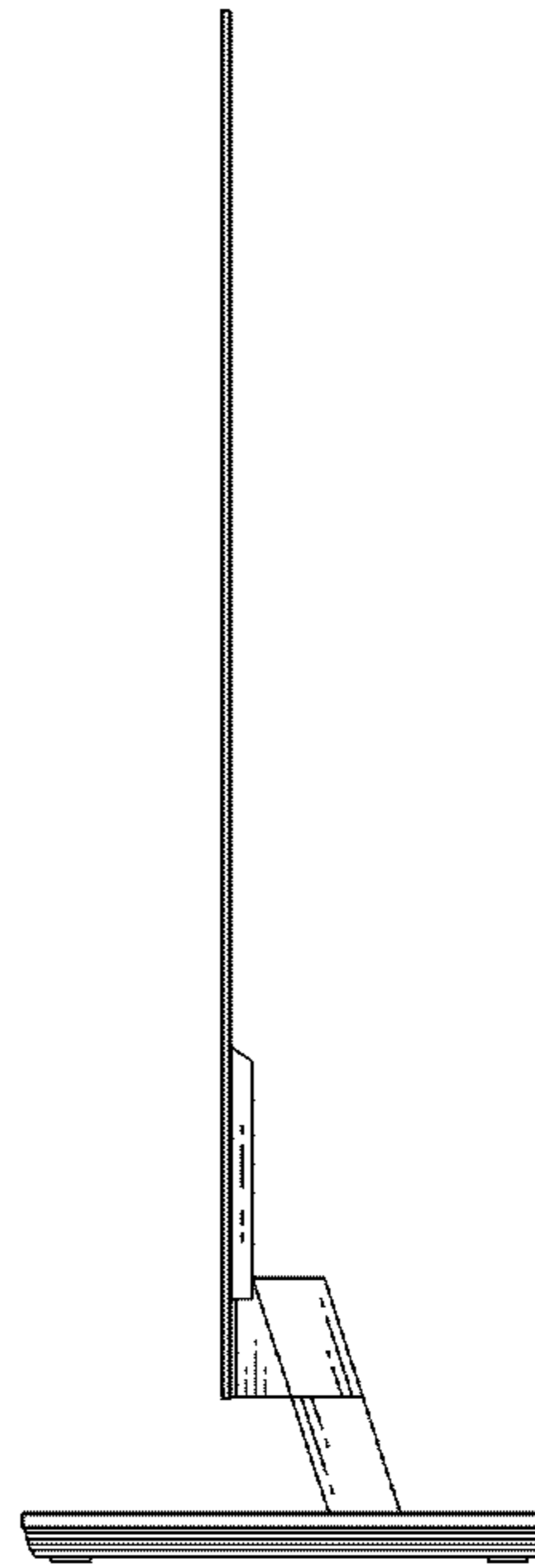


FIG.6

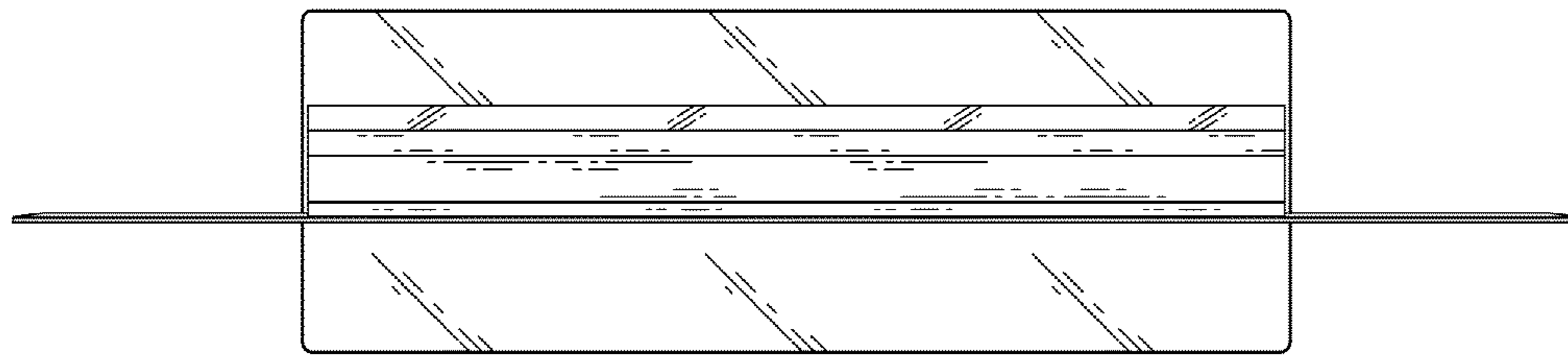


FIG.7

