



US00D670667S

(12) **United States Design Patent**
Wang et al.

(10) **Patent No.:** **US D670,667 S**

(45) **Date of Patent:** **** Nov. 13, 2012**

(54) **LIQUID-CRYSTAL DISPLAY TELEVISION**

(75) Inventors: **Kai-Yu Wang**, New Taipei (TW);
Shiau-Rung Hsu, New Taipei (TW)

(73) Assignee: **Top Victory Investments Ltd.**, Kwun
Tong, Kowloon (HK)

(**) Term: **14 Years**

(21) Appl. No.: **29/410,062**

(22) Filed: **Jan. 4, 2012**

(51) **LOC (9) Cl.** **14-03**

(52) **U.S. Cl.** **D14/126**

(58) **Field of Classification Search** D14/125-134,
D14/239, 371, 136, 374-377, 440, 450, 448,
D14/336, 342; 312/7.2; 348/836, 838, 180,
348/184, 325, 739; 341/12; 248/917-924,
248/465; 345/104, 133, 156, 168, 87, 173;
720/605, 669, 600, 655; 369/99, 197; 455/344,
455/347; D21/329, 515, 577, 622, 333, 433,
D21/448, 452, 450, 331; D6/477, 479, 300;
273/148 B; 446/484, 175, 356; D10/15,
D10/26

See application file for complete search history.

(56) **References Cited**

U.S. PATENT DOCUMENTS

D495,708 S * 9/2004 Yang D14/375
D539,241 S * 3/2007 Peng D14/126

D571,323 S * 6/2008 Profit D14/126
D584,702 S * 1/2009 Iinuma et al. D14/126
D634,721 S * 3/2011 Baek et al. D14/126
D640,653 S * 6/2011 Takami D14/126
D642,551 S * 8/2011 Chong et al. D14/126

* cited by examiner

Primary Examiner — Raphael Barkai

(74) *Attorney, Agent, or Firm* — Alan Kamrath; Kamrath IP
Lawfirm, P.A.

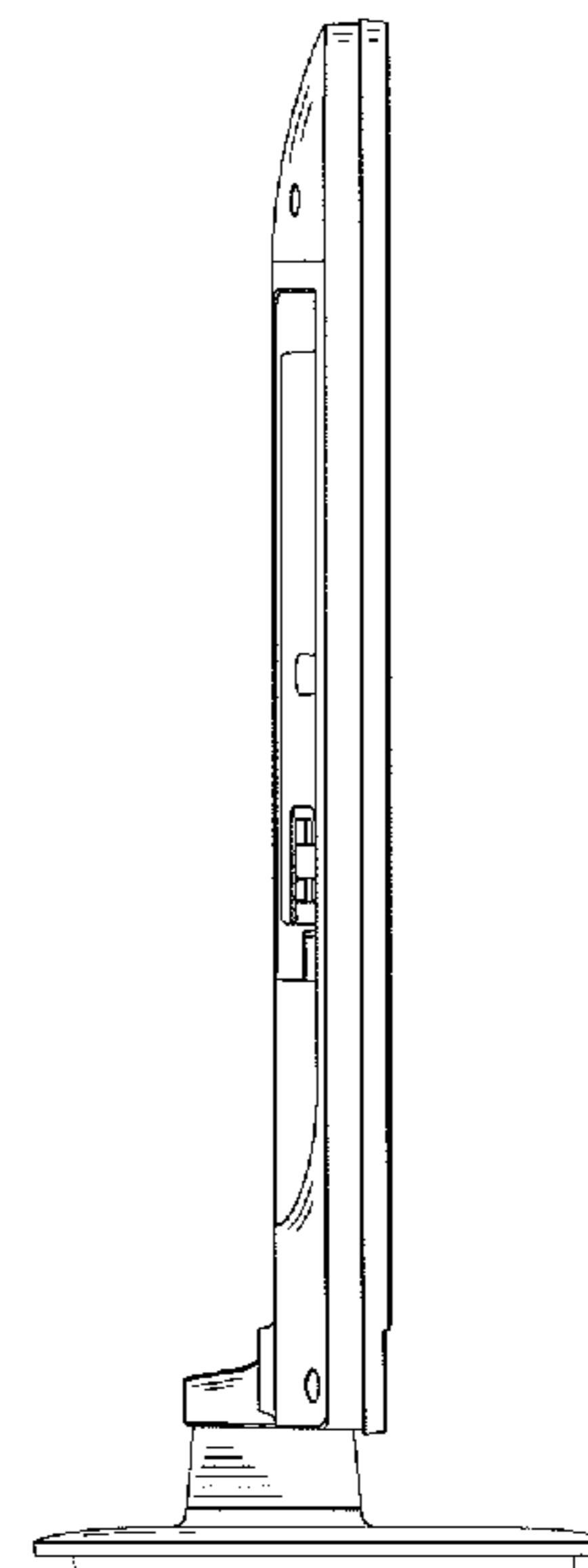
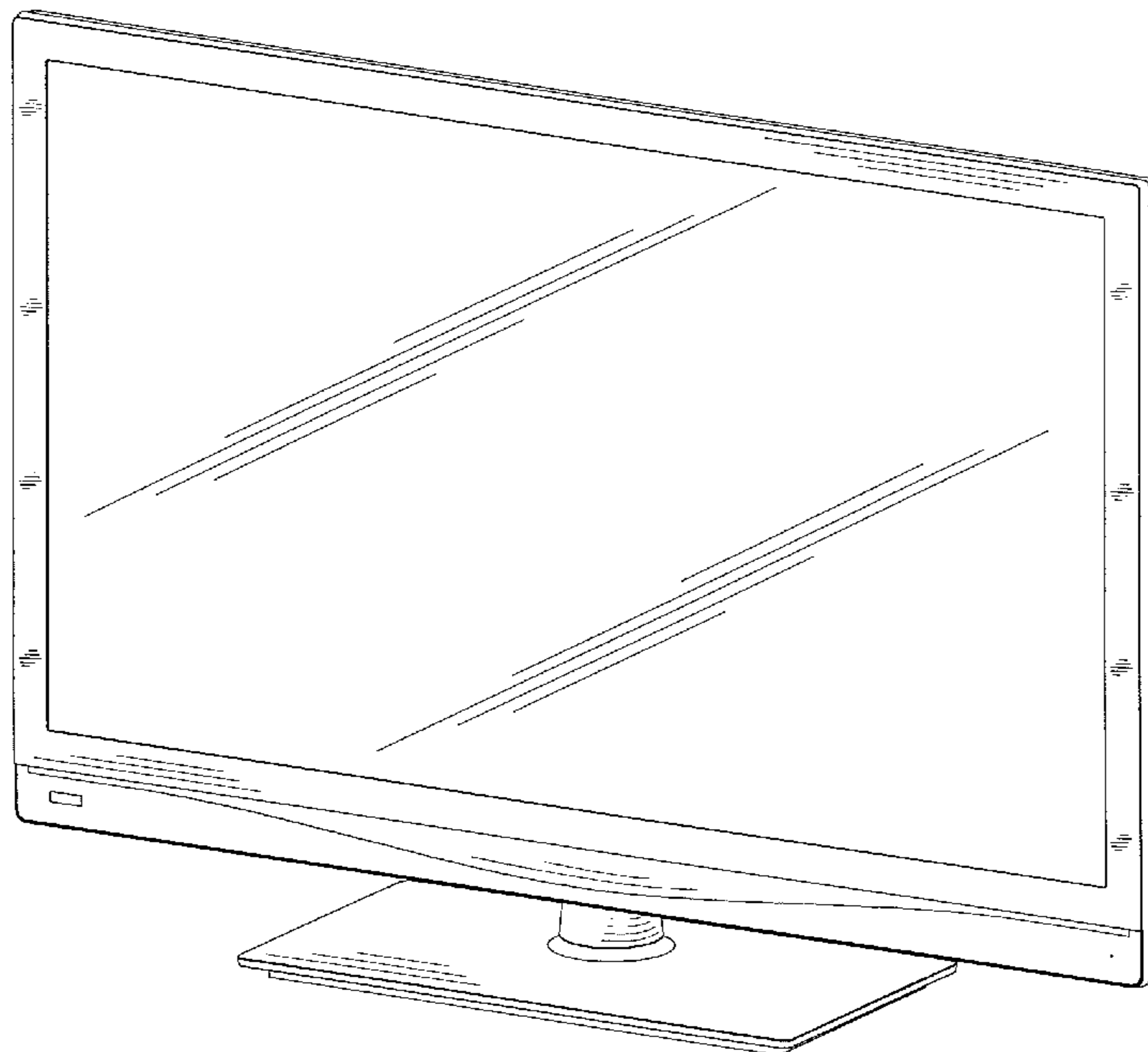
(57) **CLAIM**

The ornamental design for liquid-crystal display television,
as shown and described.

DESCRIPTION

FIG. 1 is a perspective view of a liquid-crystal display tele-
vision showing our new design;
FIG. 2 is a front side elevational view thereof;
FIG. 3 is a rear side elevational view thereof;
FIG. 4 is a left elevational view thereof;
FIG. 5 is a right elevational view thereof;
FIG. 6 is a top plan view thereof;
FIG. 7 is a bottom plan view thereof;
FIG. 8 is a rear perspective view thereof;
FIG. 9 is a cross-sectional view thereof taken along line 9-9 in
FIG. 2; and,
FIG. 10 is an enlargement of the cross-sectional view thereof
indicated as item 10 in FIG. 9.

1 Claim, 10 Drawing Sheets



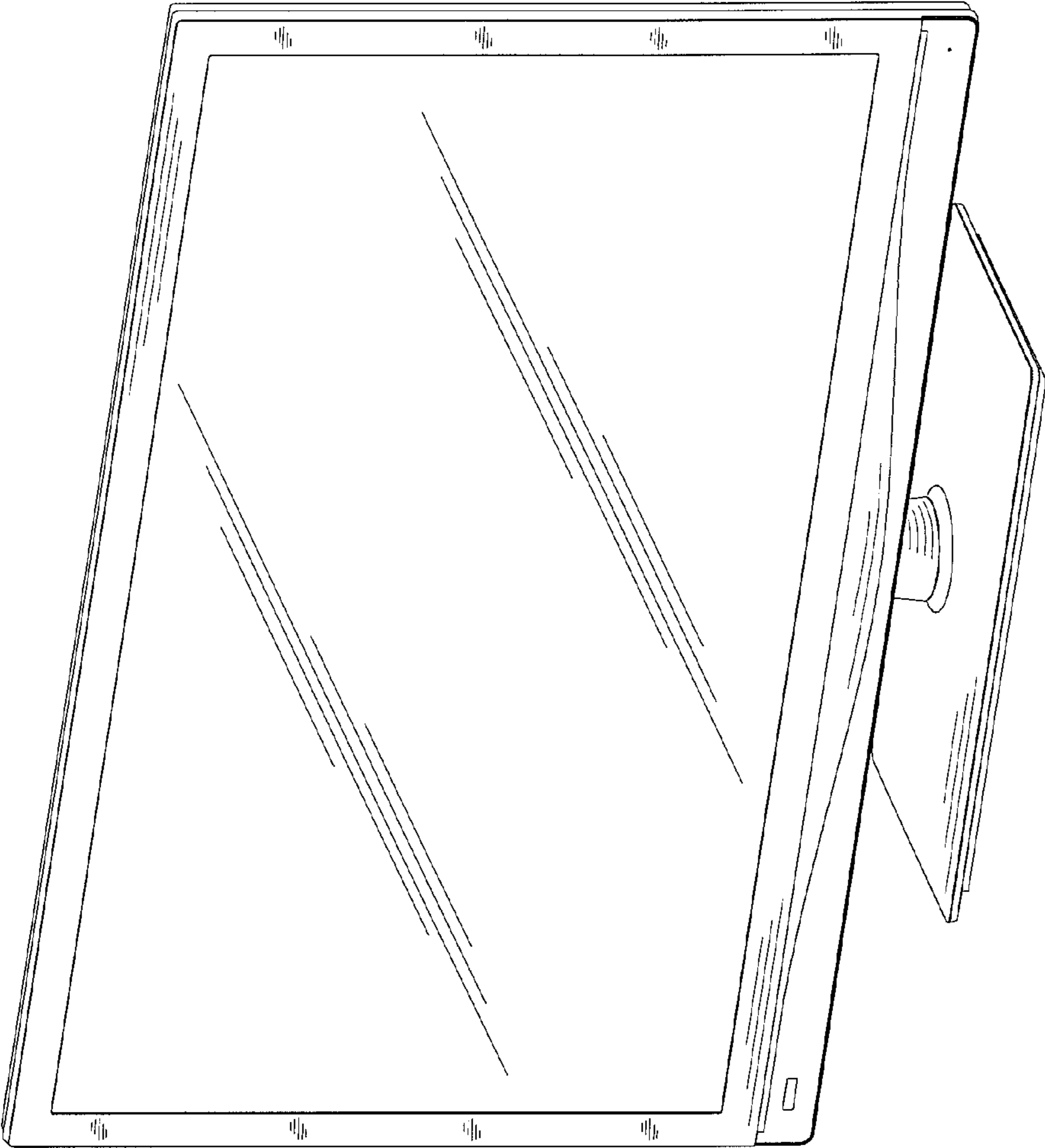


FIG. 1

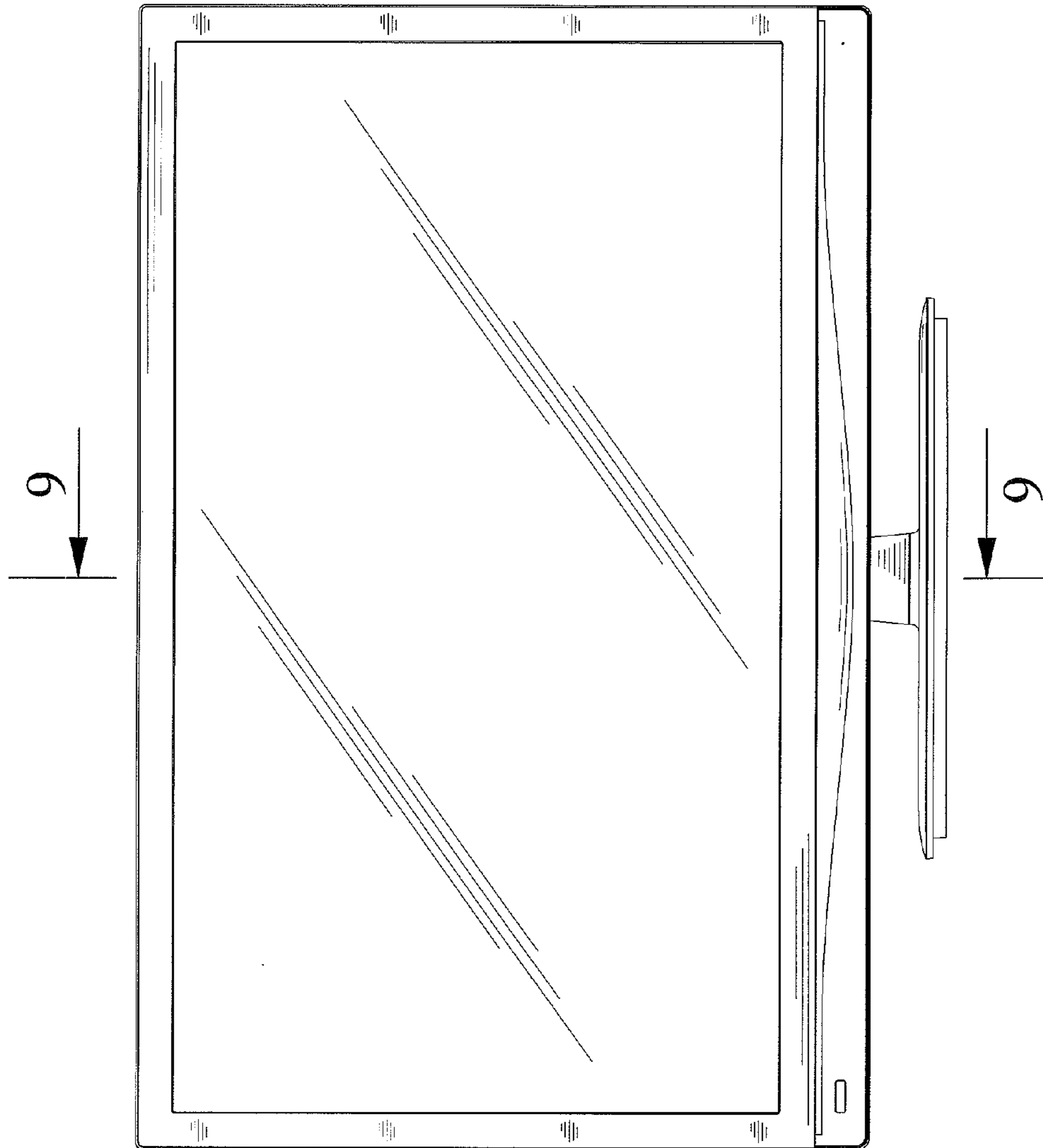


FIG. 2

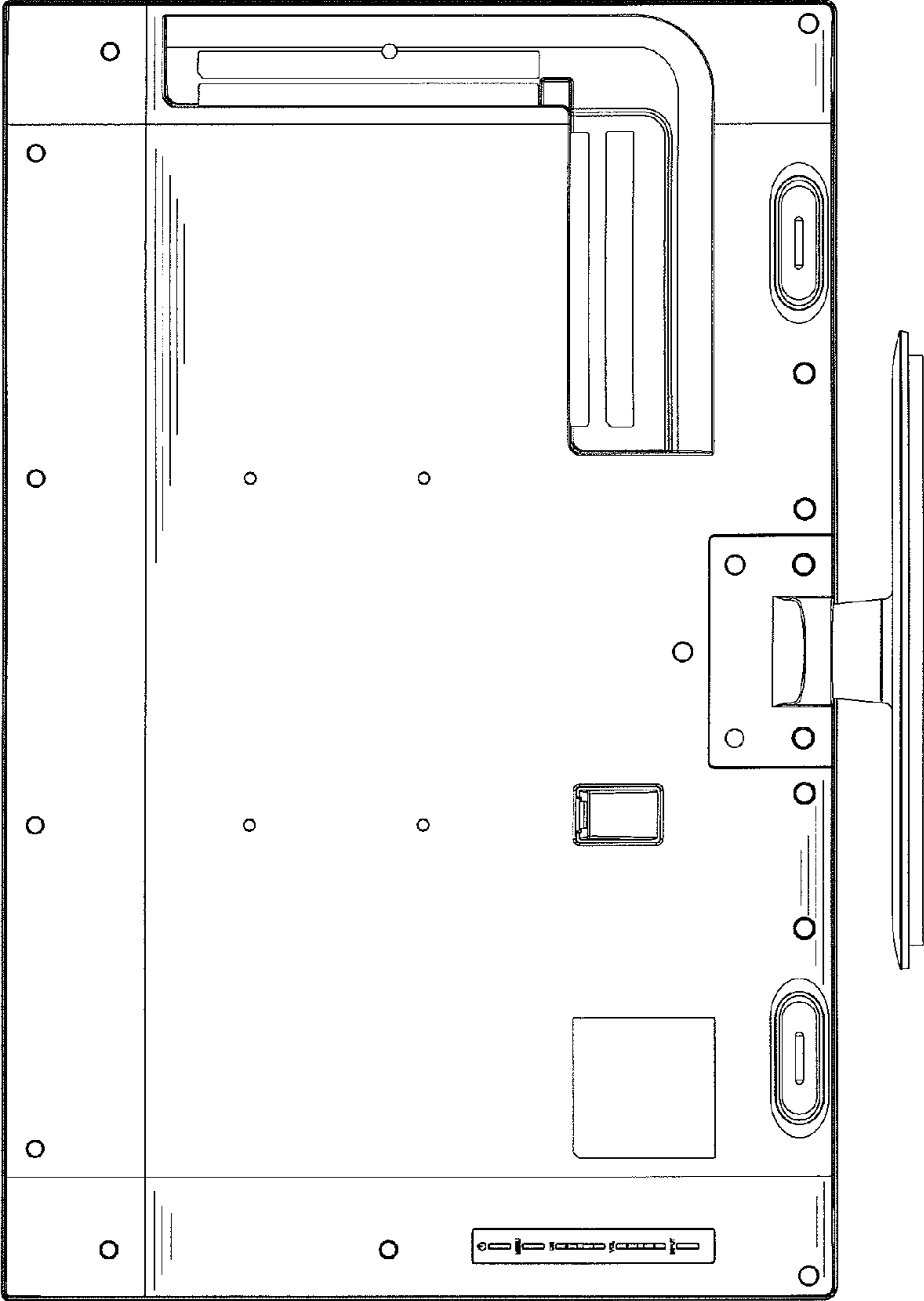


FIG. 3

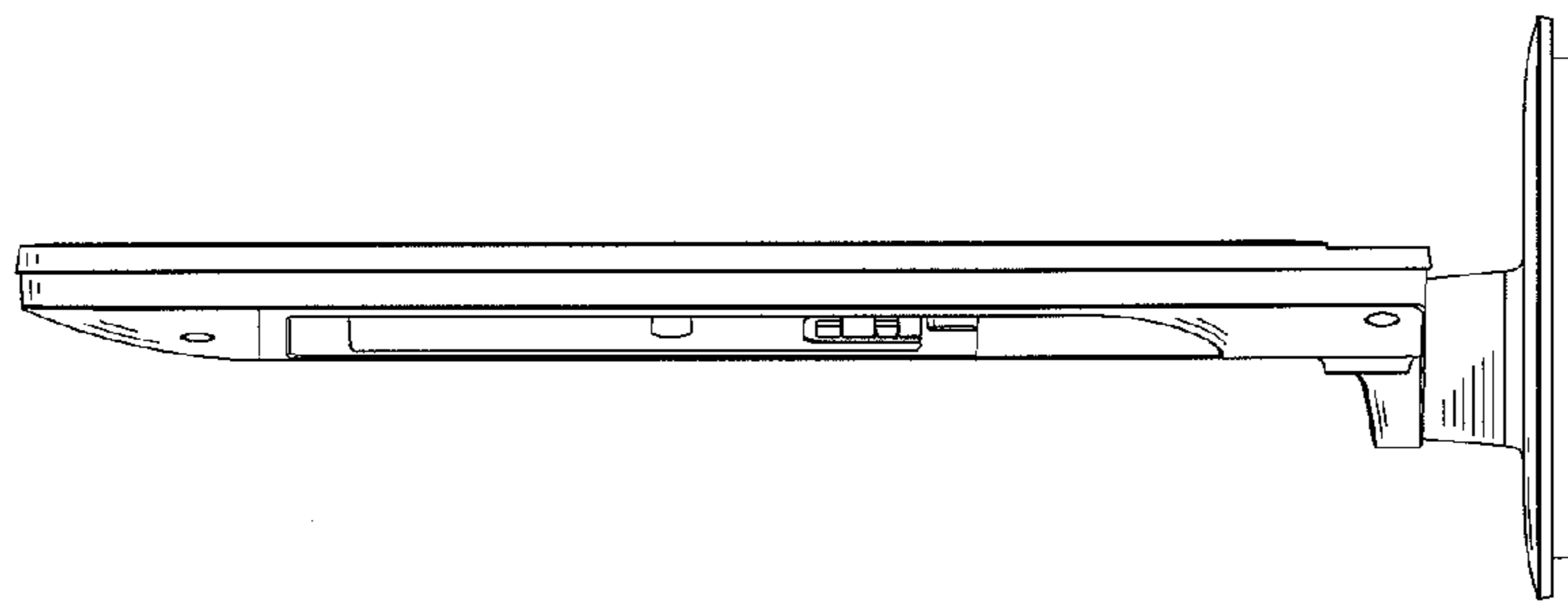


FIG. 4

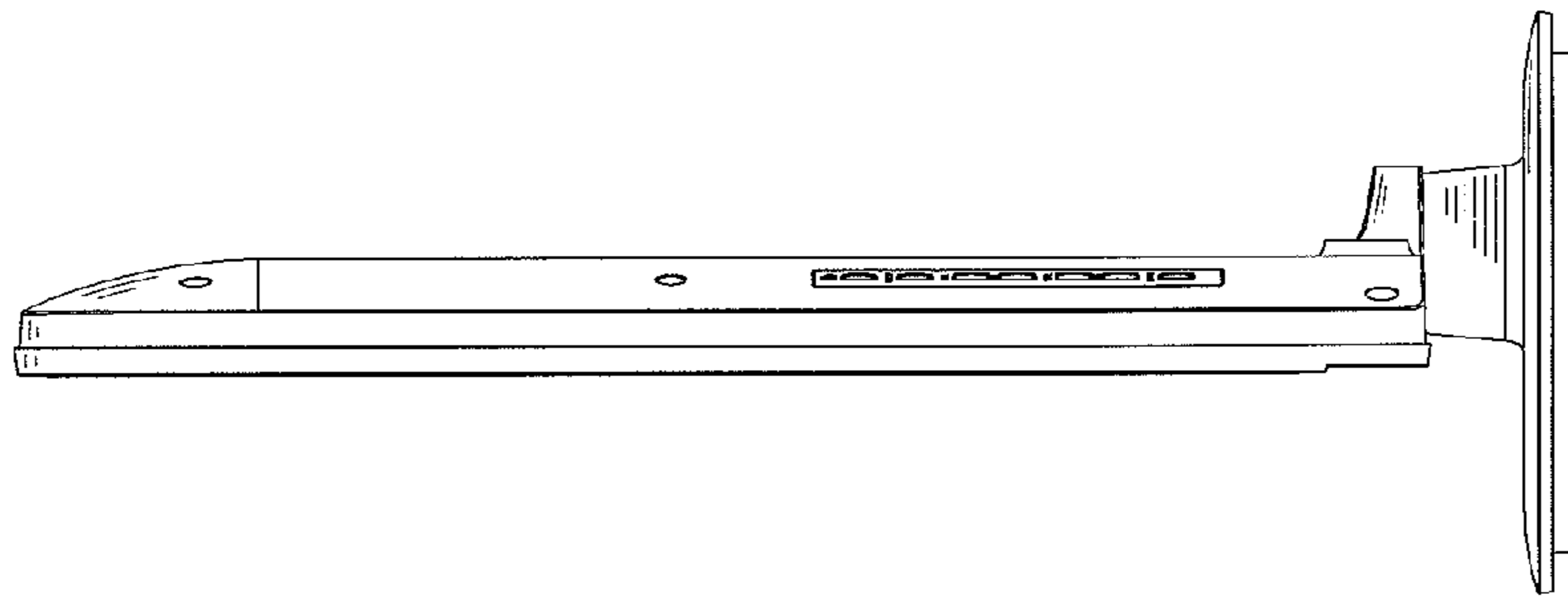


FIG. 5

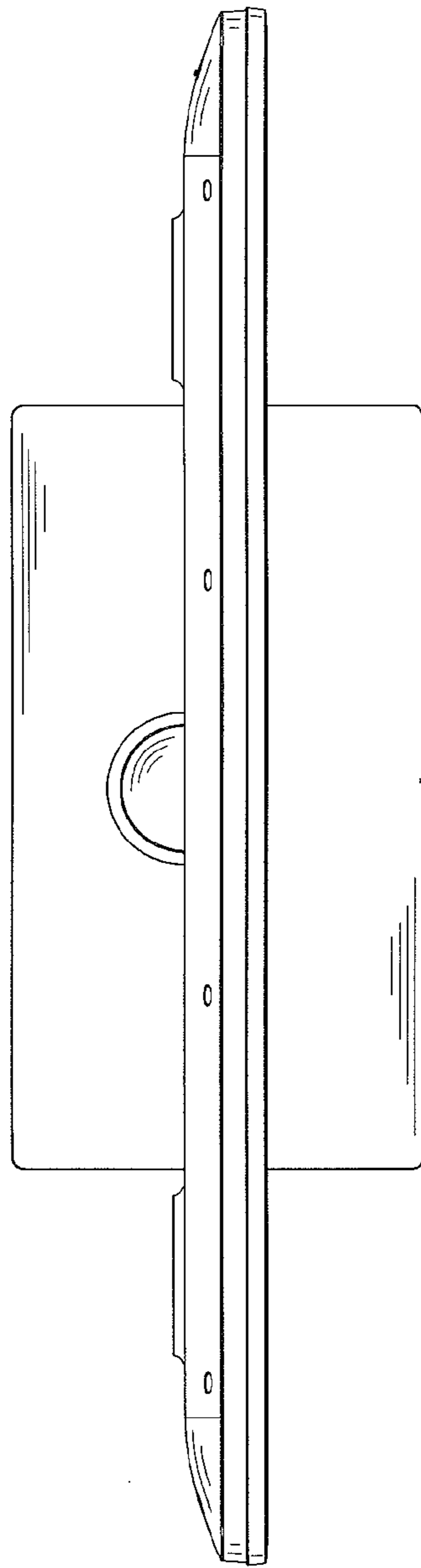


FIG. 6

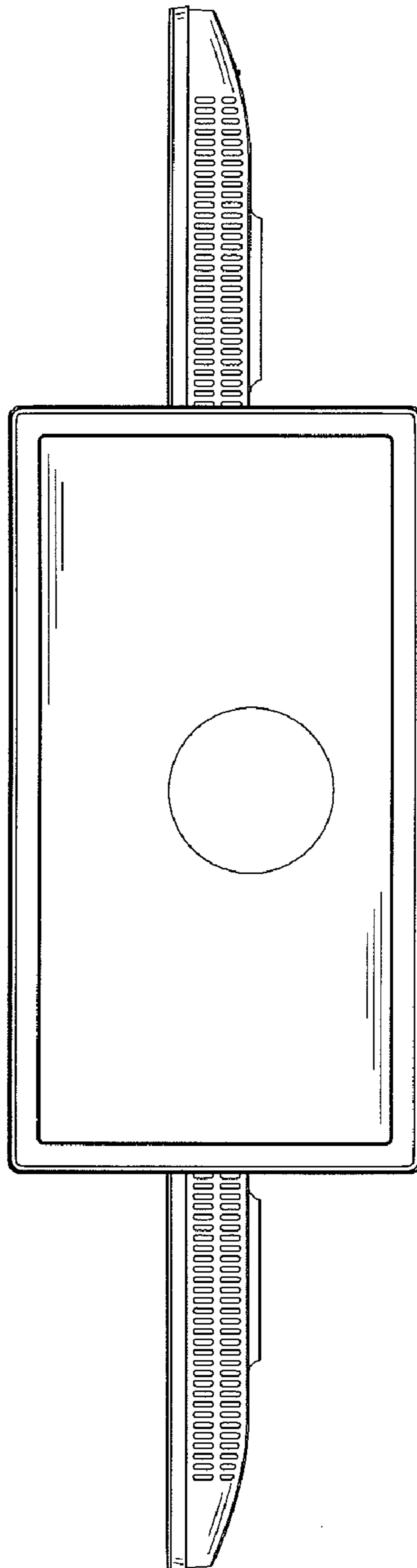


FIG. 7

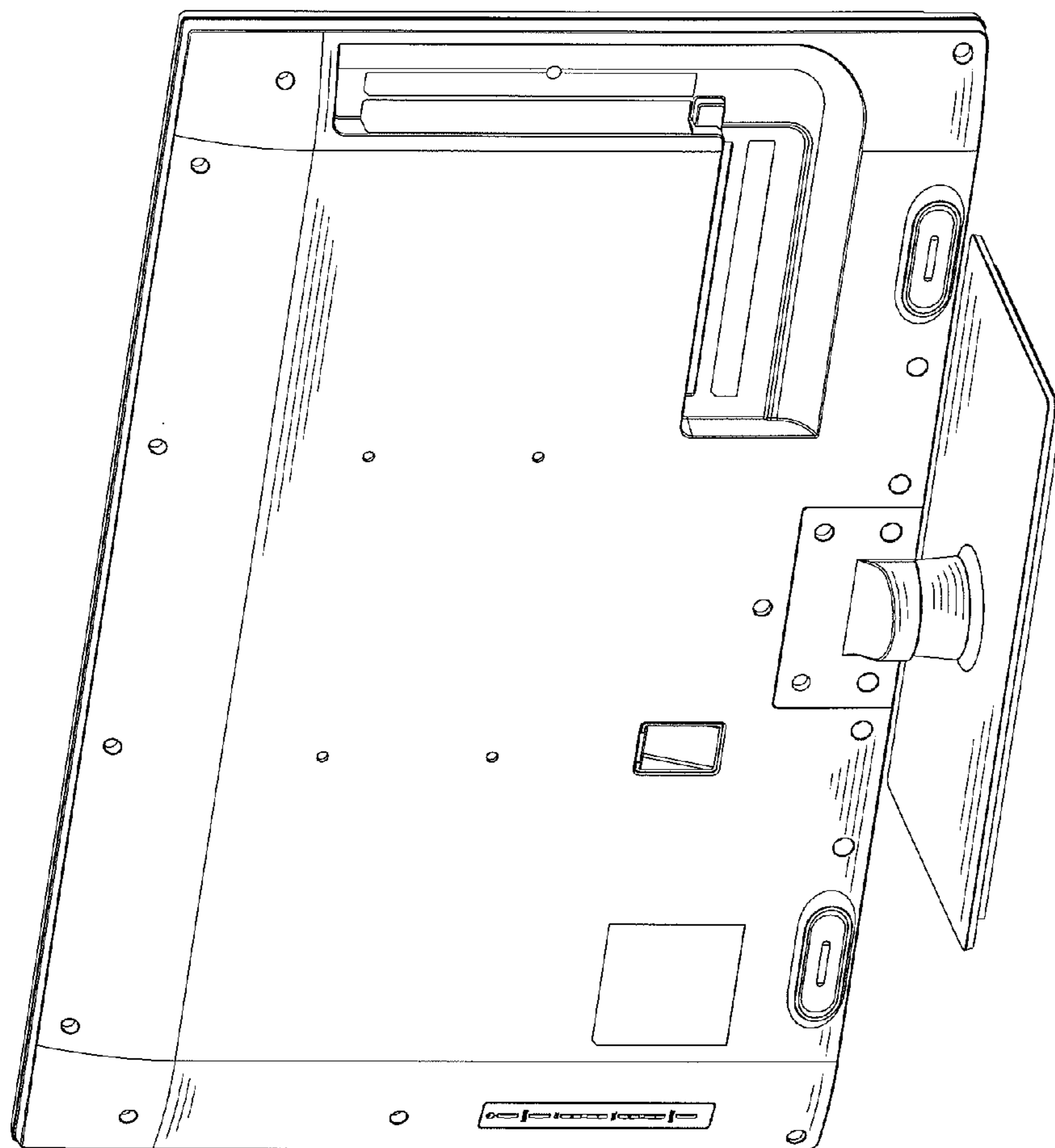


FIG. 8

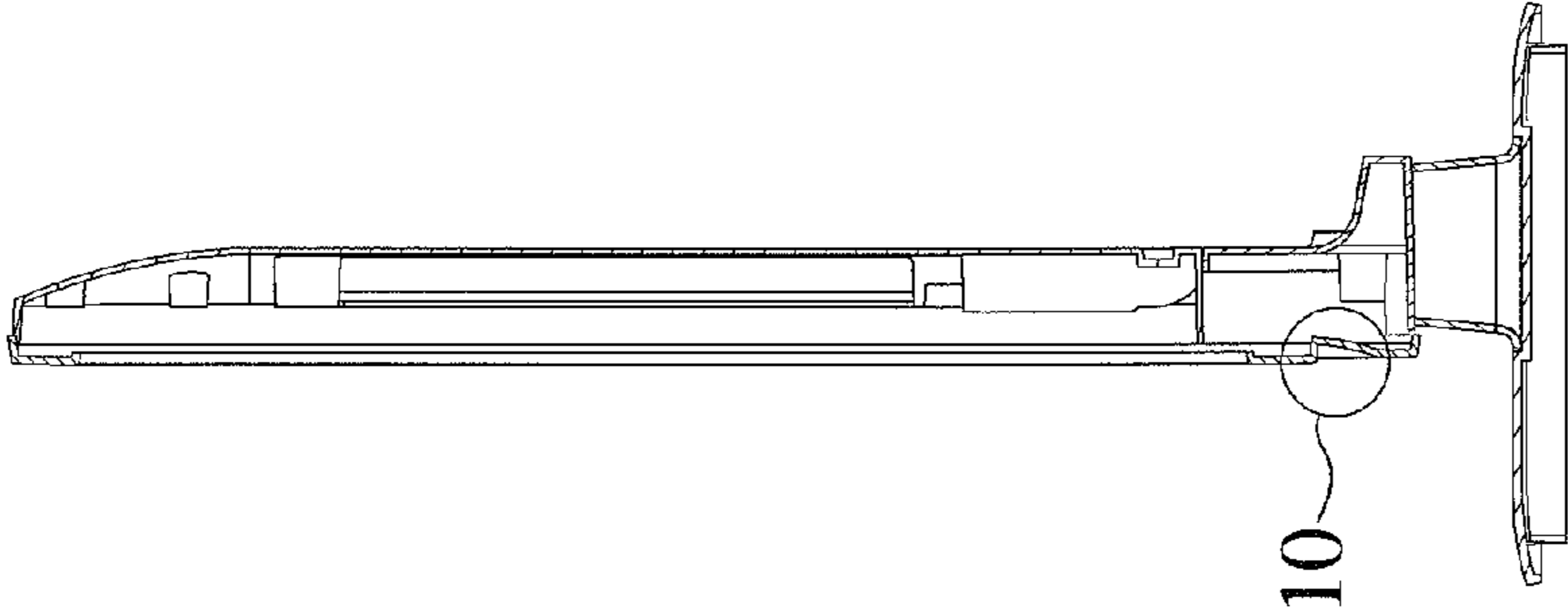


FIG. 9

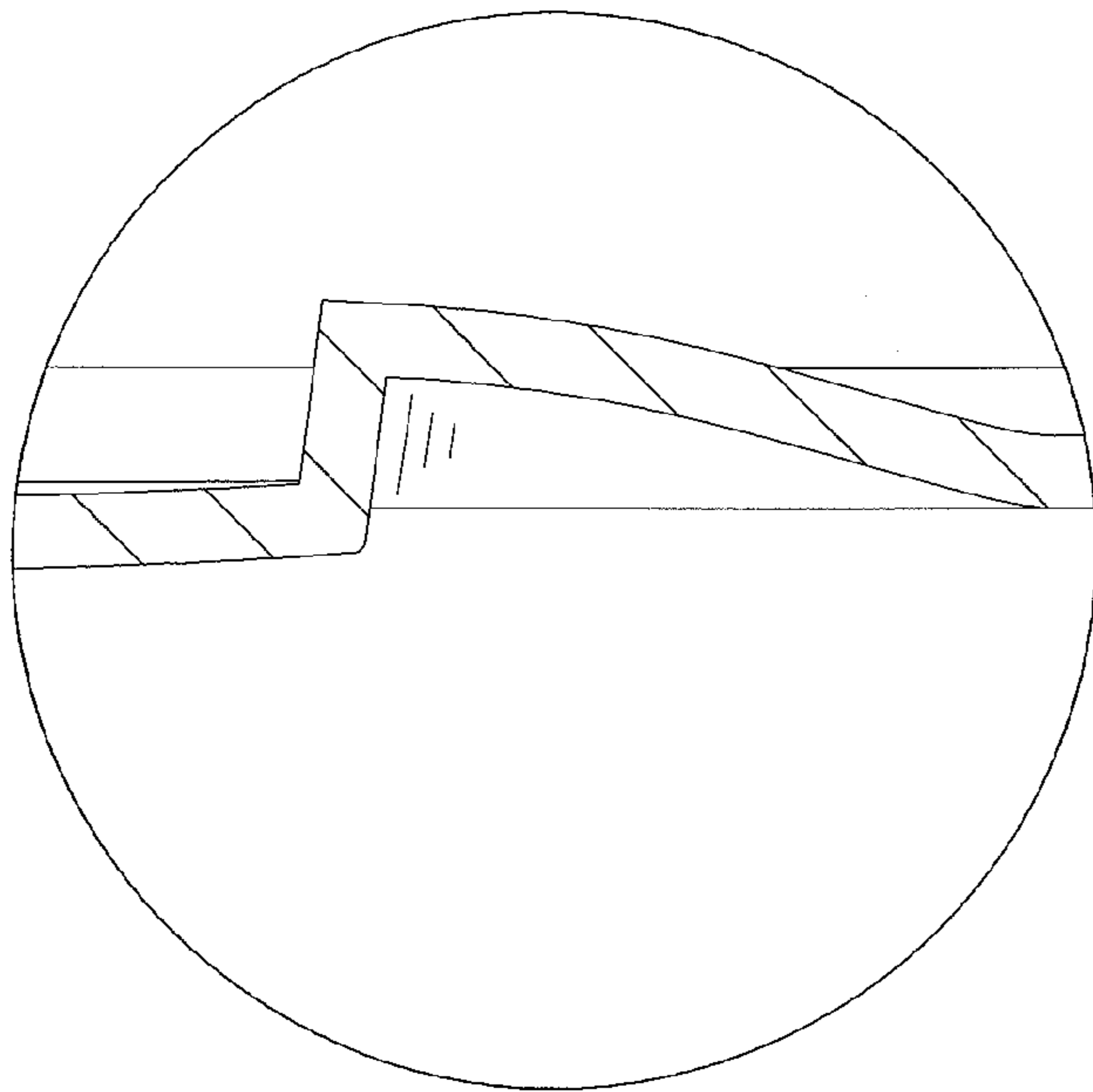


FIG. 10