



US00D670665S

(12) **United States Design Patent**  
**Jung et al.**

(10) **Patent No.:** **US D670,665 S**

(45) **Date of Patent:** **\*\* Nov. 13, 2012**

(54) **TELEVISION RECEIVER**

(56) **References Cited**

(75) Inventors: **Yuntae Jung**, Seoul (KR); **Nari Lee**,  
Seoul (KR); **Deung Hwangbo**, Seoul  
(KR)

(73) Assignee: **LG Electronics Inc.**, Seoul (KR)

(\*\*) Term: **14 Years**

(21) Appl. No.: **29/382,919**

(22) Filed: **Jan. 10, 2011**

(30) **Foreign Application Priority Data**

Jul. 28, 2010 (KR) ..... 30-2010-0033020

(51) **LOC (9) Cl.** ..... **14-03**

(52) **U.S. Cl.** ..... **D14/126**

(58) **Field of Classification Search** ..... D14/125-134,  
D14/239, 371, 136, 374-377, 440, 450, 448,  
D14/336, 342; 312/7.2; 348/836, 838, 180,  
348/184, 325, 739; 341/12; 248/917-924,  
248/465; 345/104, 133, 156, 168, 87, 173;  
720/605, 669, 600, 655; 369/99, 197; D21/329,  
D21/515, 577, 622, 333, 433, 448, 452, 450,  
D21/331; D6/477, 479, 300; 273/148 B;  
446/484, 175, 356; D10/15, 26

See application file for complete search history.

U.S. PATENT DOCUMENTS

D584,258	S	*	1/2009	Yang et al.	.....	D14/126
D601,104	S	*	9/2009	Kim	.....	D14/126
D615,511	S	*	5/2010	Shin et al.	.....	D14/126
D616,841	S	*	6/2010	Kim et al.	.....	D14/126
D637,572	S	*	5/2011	Chu et al.	.....	D14/126
D642,148	S	*	7/2011	Kwon et al.	.....	D14/126
D643,823	S	*	8/2011	Kim et al.	.....	D14/126
D644,193	S	*	8/2011	Wang et al.	.....	D14/126
D648,691	S	*	11/2011	Tierney et al.	.....	D14/126
D656,914	S	*	4/2012	Shin et al.	.....	D14/126
D657,323	S	*	4/2012	Kim et al.	.....	D14/126

\* cited by examiner

*Primary Examiner* — Raphael Barkai

(74) *Attorney, Agent, or Firm* — Birch, Stewart, Kolasch & Birch, LLP

(57) **CLAIM**

The ornamental design for a television receiver, as shown and described.

**DESCRIPTION**

FIG. 1 is a top, front, perspective view of a television receiver showing our new design;  
FIG. 2 is a front view thereof;  
FIG. 3 is a rear view thereof;  
FIG. 4 is a left side view thereof;  
FIG. 5 is a right side view thereof;  
FIG. 6 is a top view thereof; and,  
FIG. 7 is a bottom view thereof.

**1 Claim, 6 Drawing Sheets**

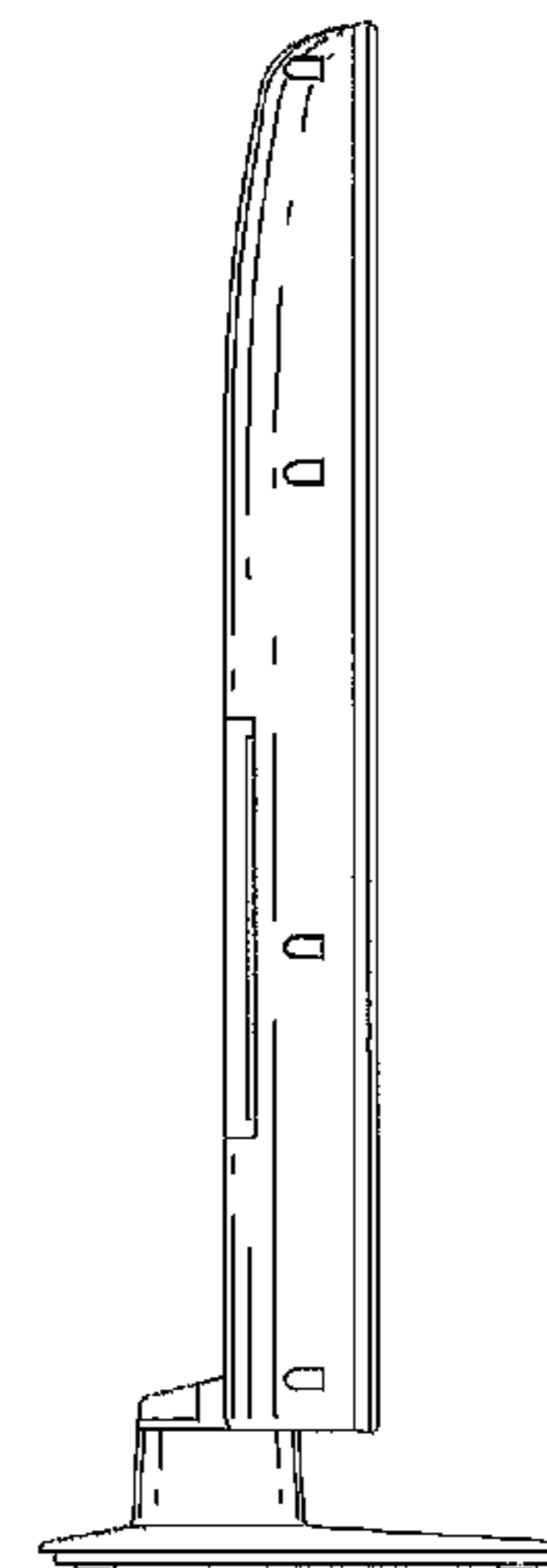
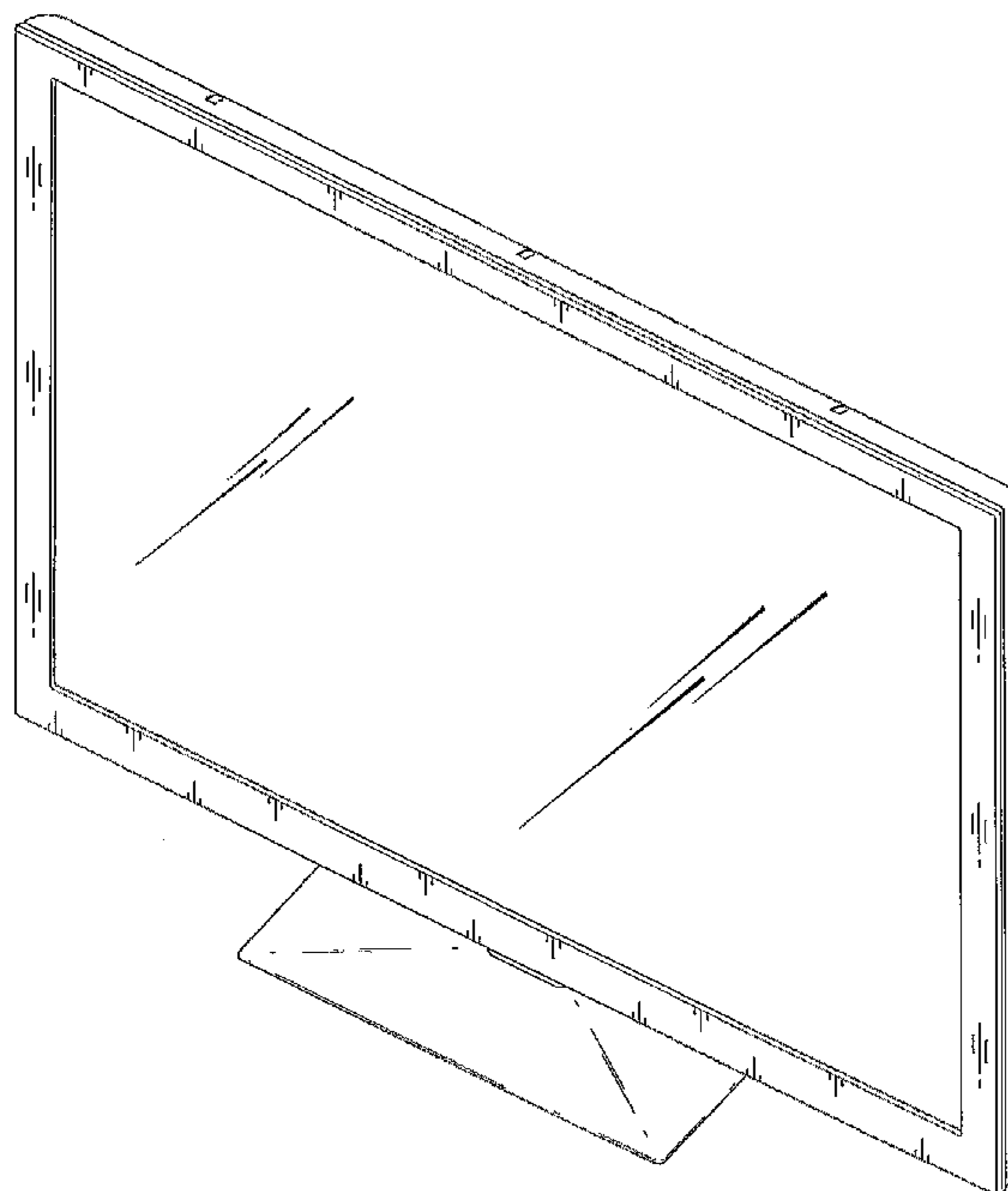


FIG. 1

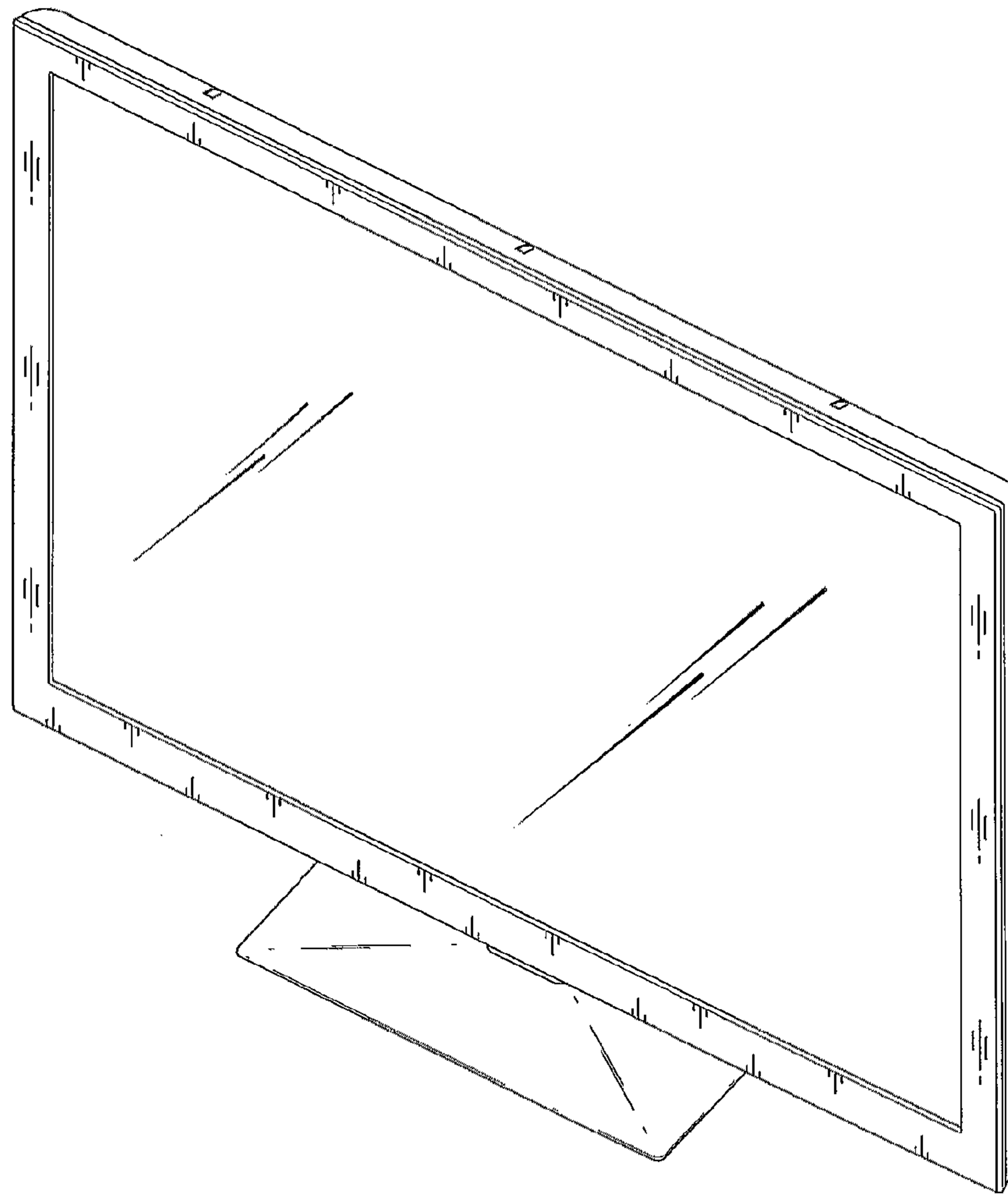


FIG. 2

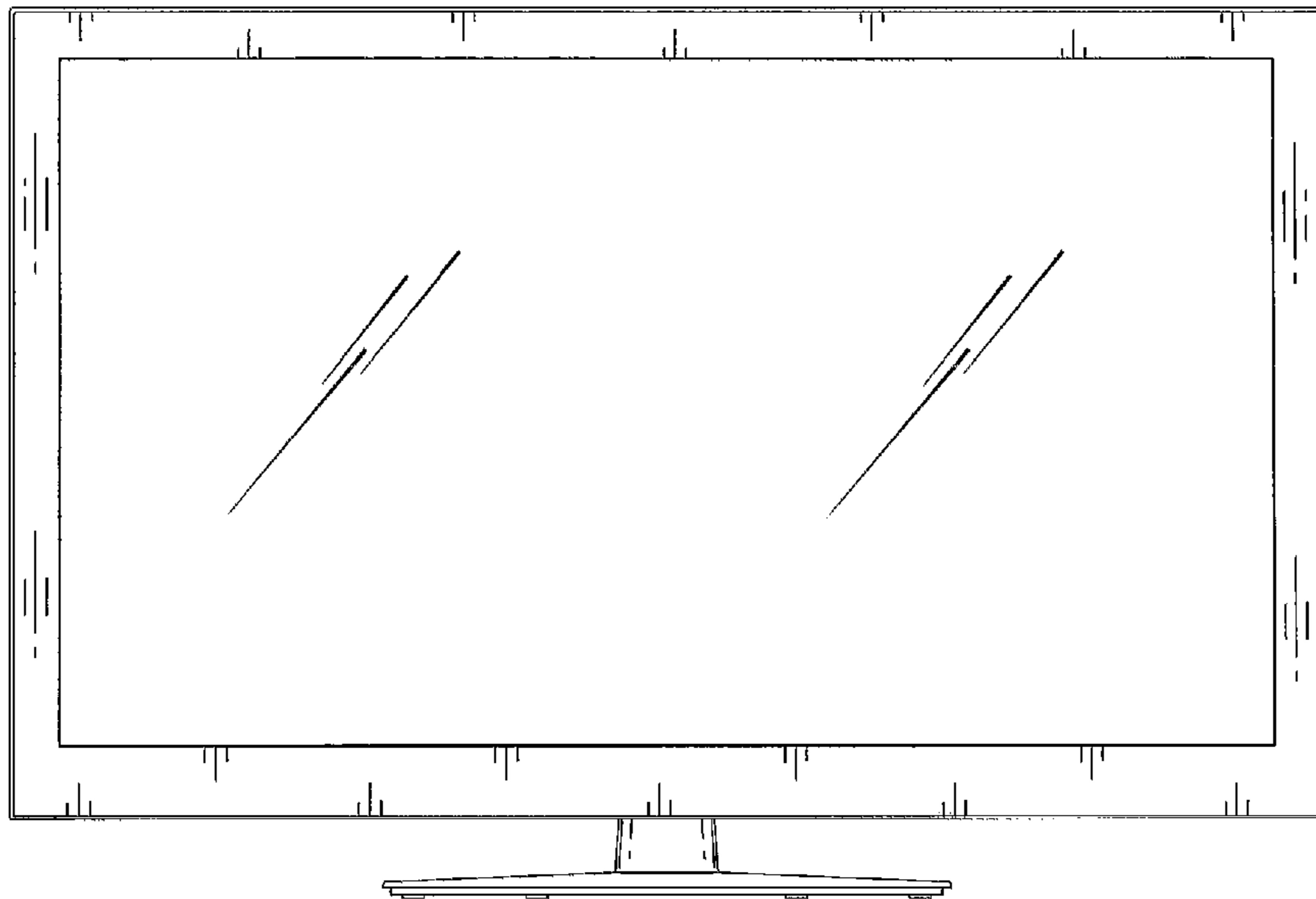


FIG. 3

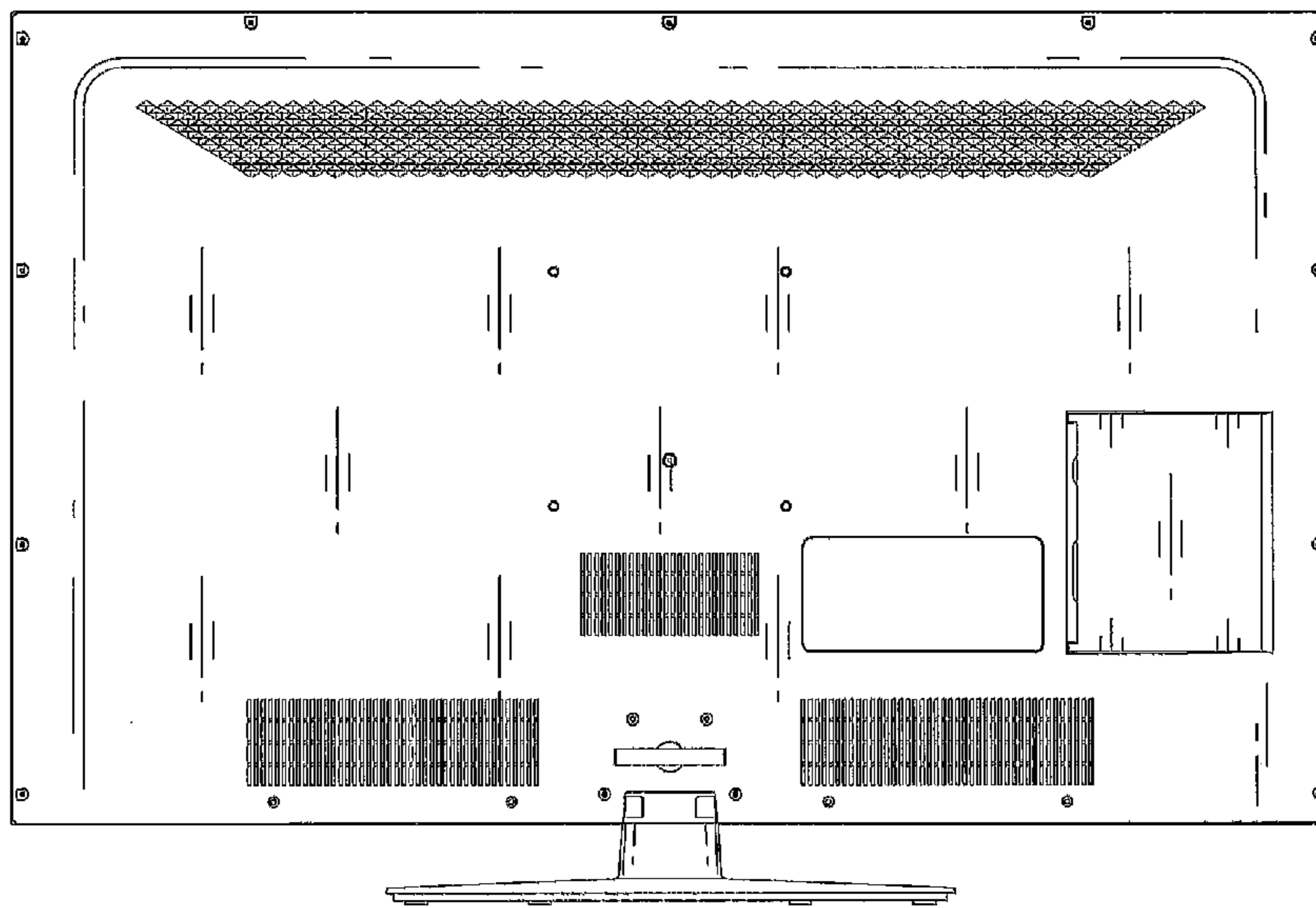


FIG. 4

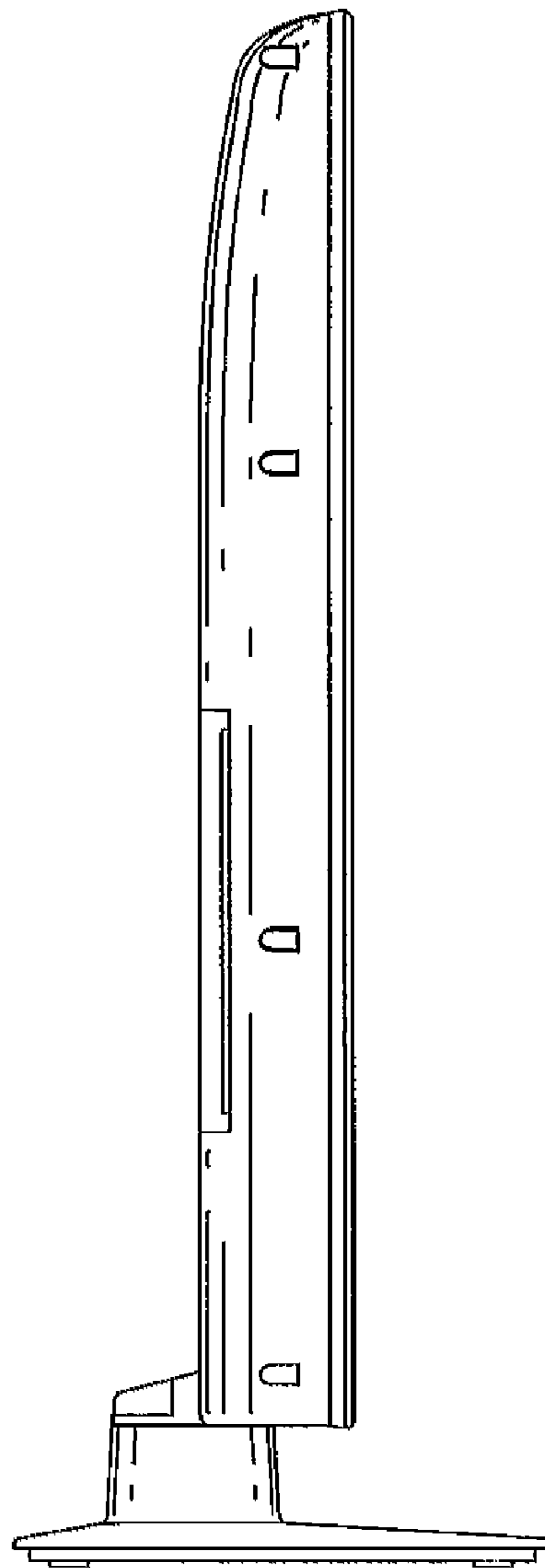


FIG. 5

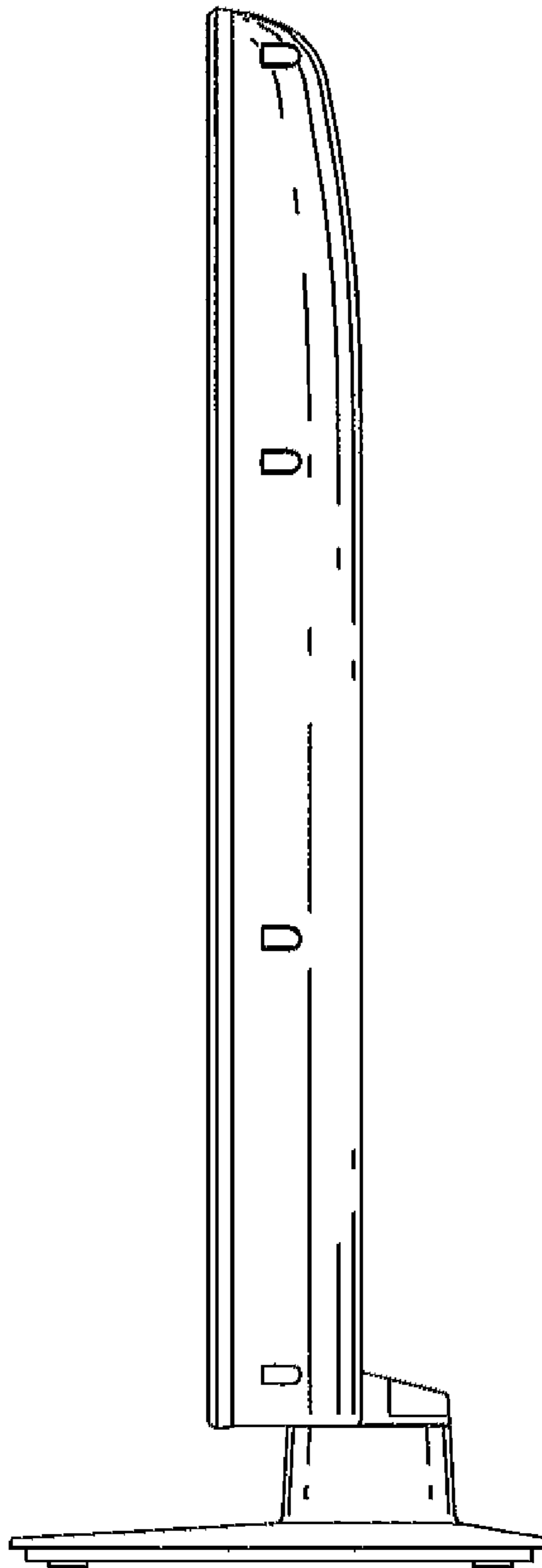


FIG. 6

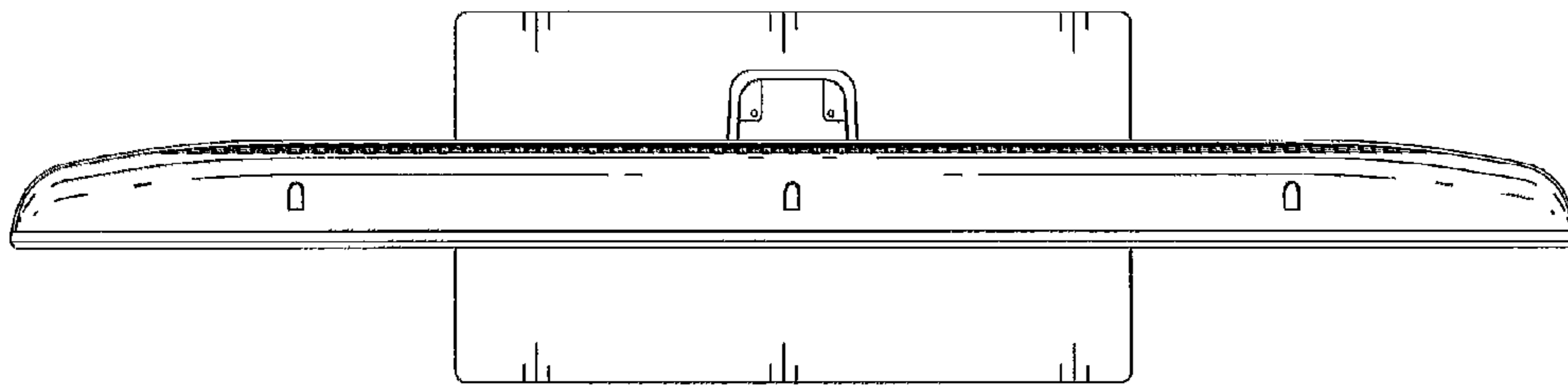


FIG. 7

