



US00D670664S

(12) **United States Design Patent**
Brown

(10) **Patent No.:** **US D670,664 S**

(45) **Date of Patent:** **** Nov. 13, 2012**

(54) **DISPLAY FOR A WATER FAUCET**
(75) Inventor: **Scott Brown**, Scottsdale, AZ (US)
(73) Assignee: **Industrial Plantation SA**, Luxembourg (LU)

D601,145 S * 9/2009 Chiu D14/371
D610,138 S * 2/2010 Andre et al. D14/336
D647,898 S * 11/2011 Haller et al. D14/336
D648,691 S * 11/2011 Tierney et al. D14/126
D661,676 S * 6/2012 Inoue D14/126
D661,699 S * 6/2012 Chiu D14/371
D662,071 S * 6/2012 Chu D14/126

(**) Term: **14 Years**

* cited by examiner

(21) Appl. No.: **29/372,050**

Primary Examiner — Garth Rademaker

(22) Filed: **Oct. 8, 2010**

(74) *Attorney, Agent, or Firm* — The Halvorson Law Firm

(51) **LOC (9) Cl.** **14-03**

(52) **U.S. Cl.** **D14/126; D23/239; D23/249**

(58) **Field of Classification Search** D6/300;
D10/15; D14/125–134, 239, 336, 371, 374–377;
D23/233–237, 239, 244–249, 255–269, 310;
D21/329, 515; 345/87, 104, 156; 348/184;
369/99; 446/484

See application file for complete search history.

(57) **CLAIM**

The ornamental design for a display for a water faucet, as shown and described.

DESCRIPTION

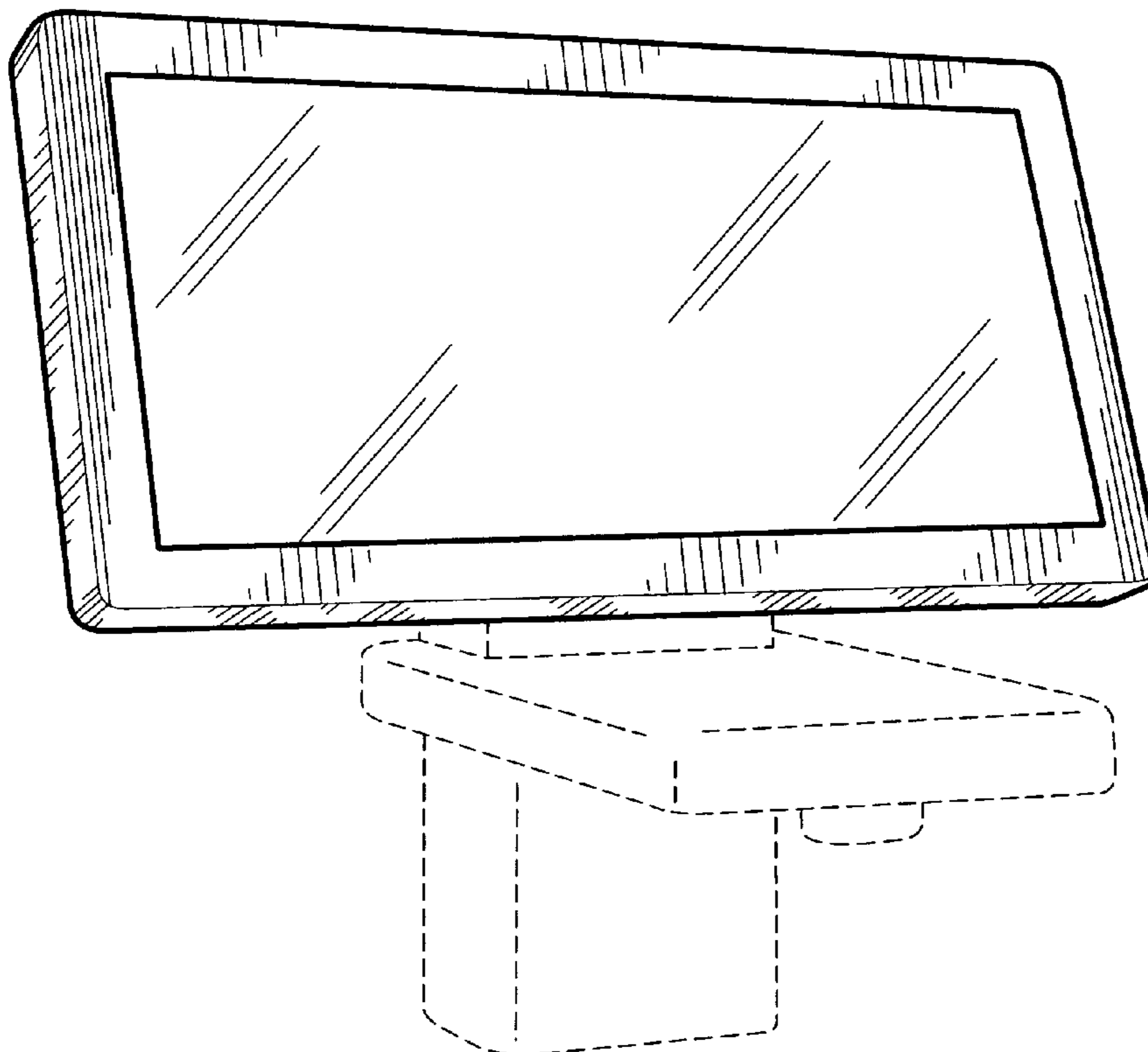
FIG. 1 is a perspective view of a display for a water faucet; FIG. 2 is a front view of the display for a water faucet; FIG. 3 is a rear view of the display for a water faucet; FIG. 4 is a side view of the display for a water faucet; FIG. 5 is an opposite side view of the display for a water faucet; FIG. 6 is a top view of the display for a water faucet; and, FIG. 7 is a bottom view of the display for a water faucet. The broken lines depict environmental subject matter only and form no part of the claimed design.

(56) **References Cited**

U.S. PATENT DOCUMENTS

D363,925 S * 11/1995 Imai D14/375
D422,575 S * 4/2000 Tikhonski et al. D14/374
D460,425 S * 7/2002 Joe D14/126
D550,270 S * 9/2007 Astill D6/300
D585,399 S * 1/2009 Hwang D14/130
D587,712 S * 3/2009 Park et al. D14/375

1 Claim, 7 Drawing Sheets



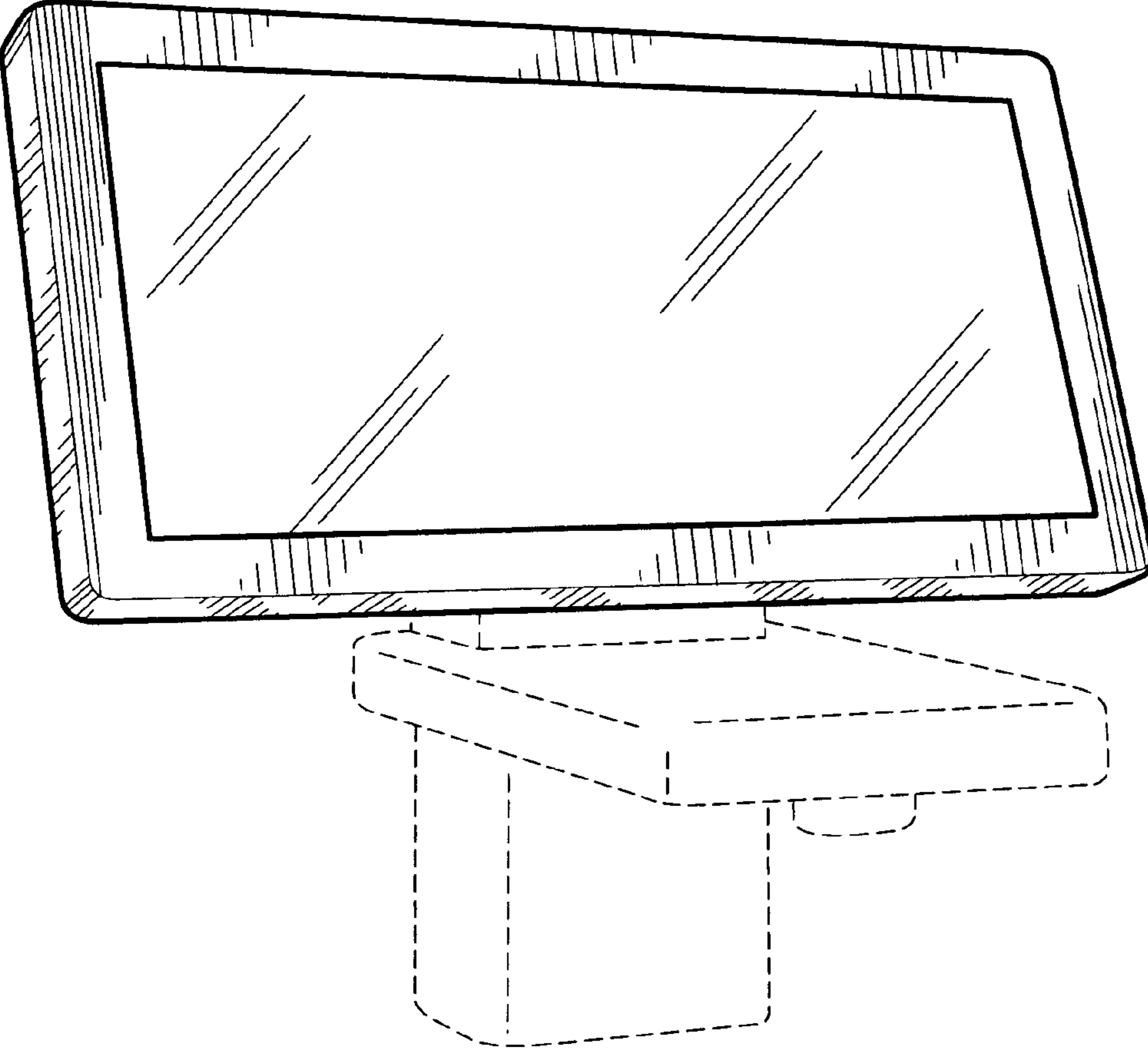


Fig. 1

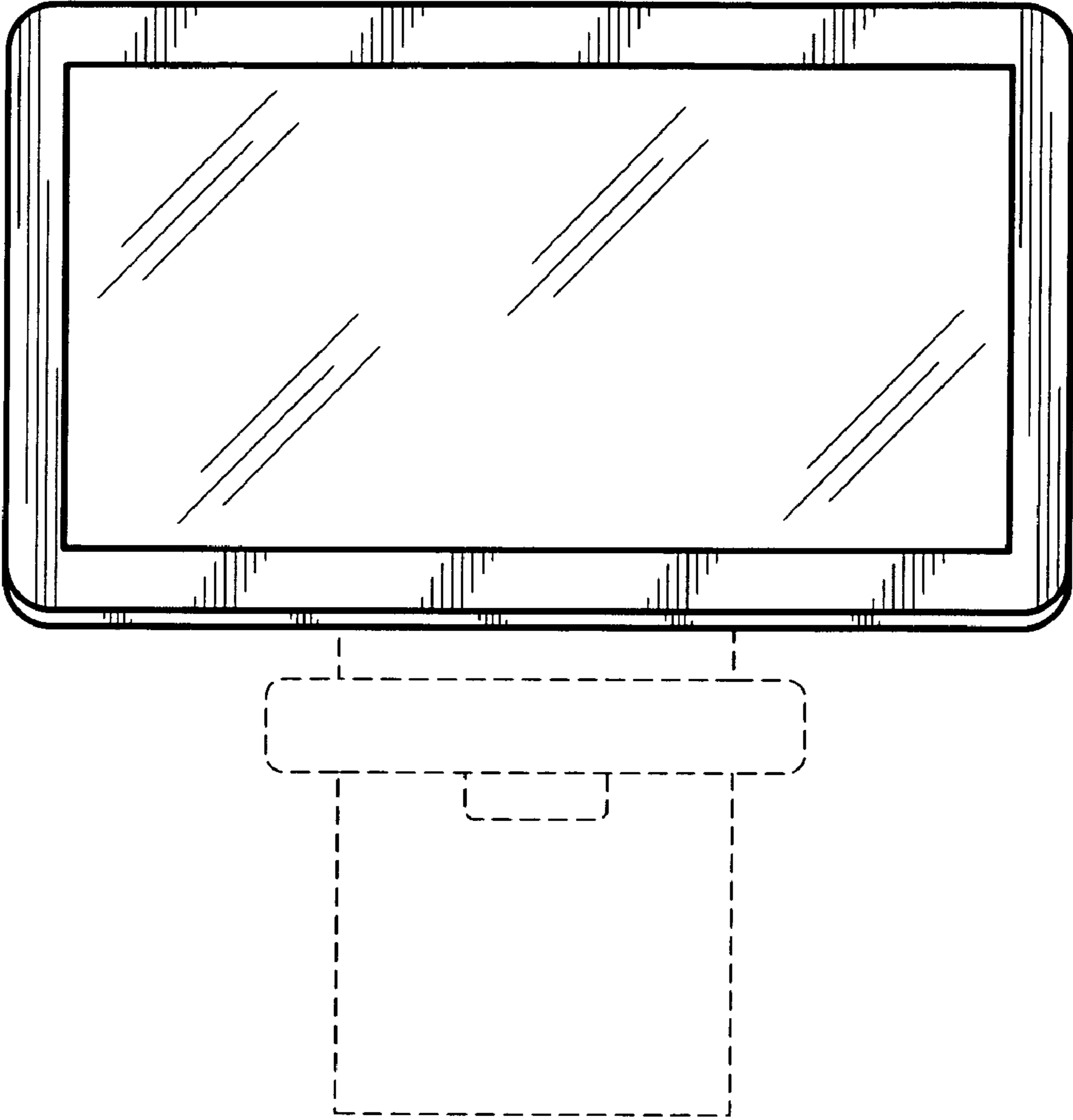


Fig. 2

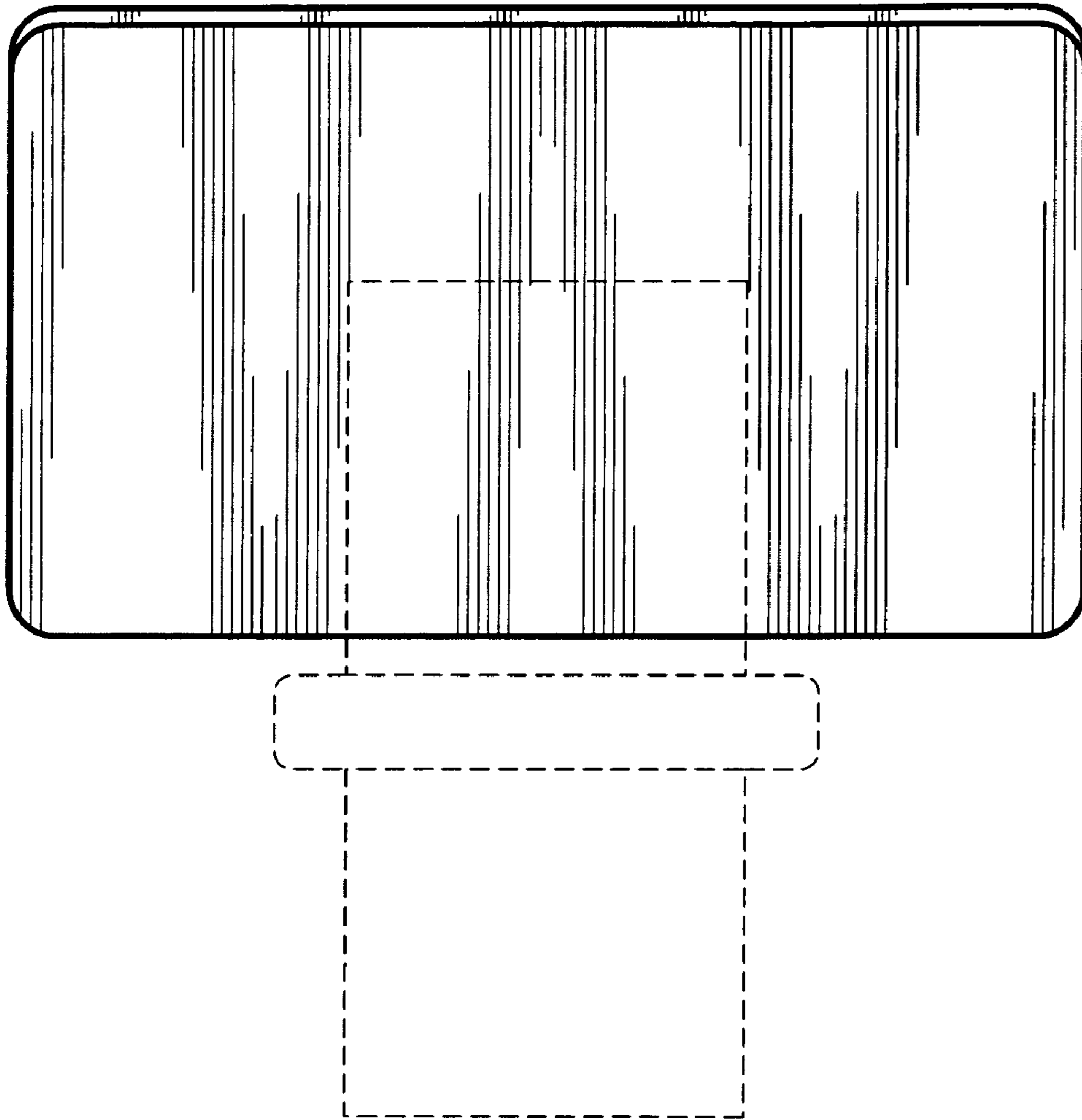


Fig. 3

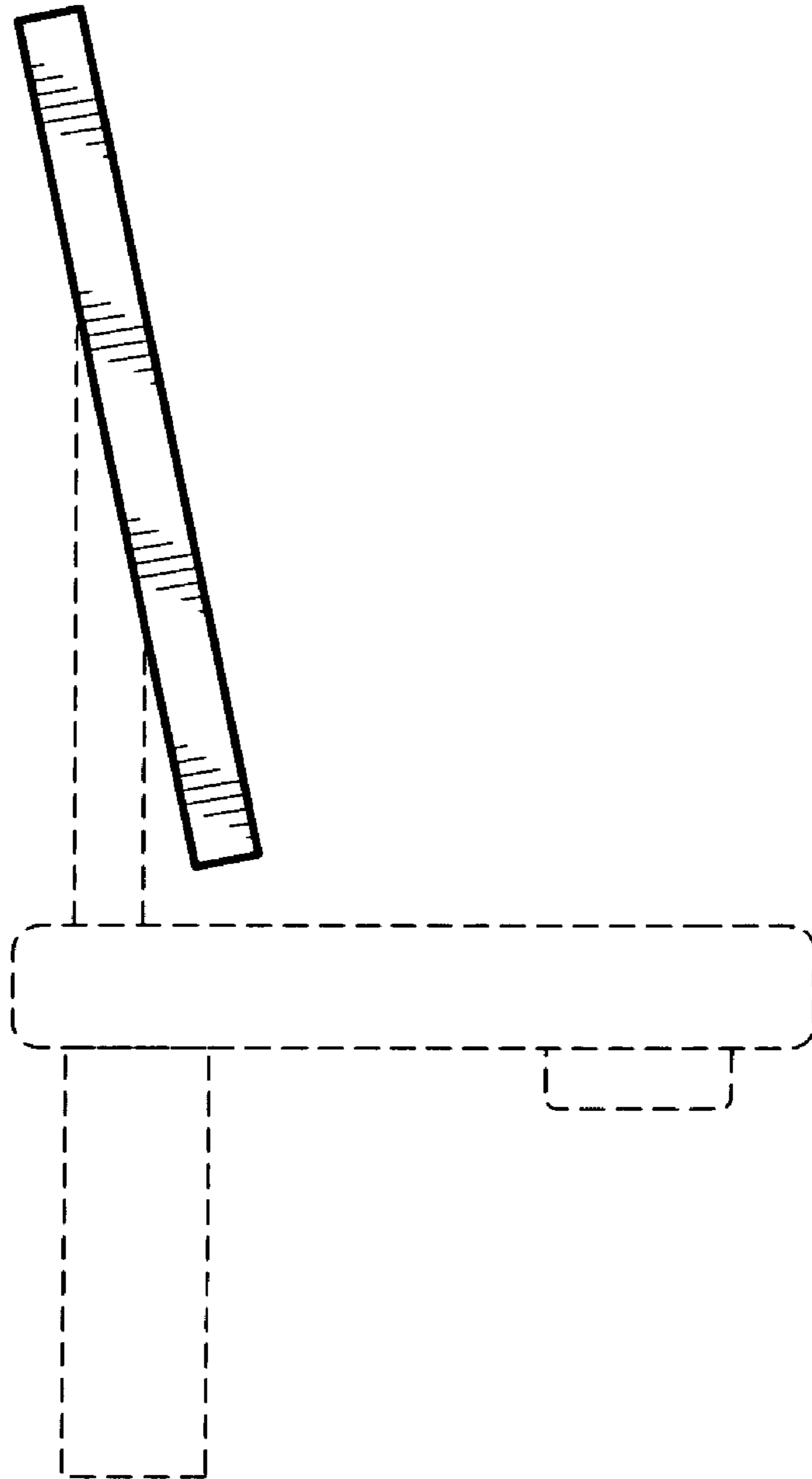


Fig. 4

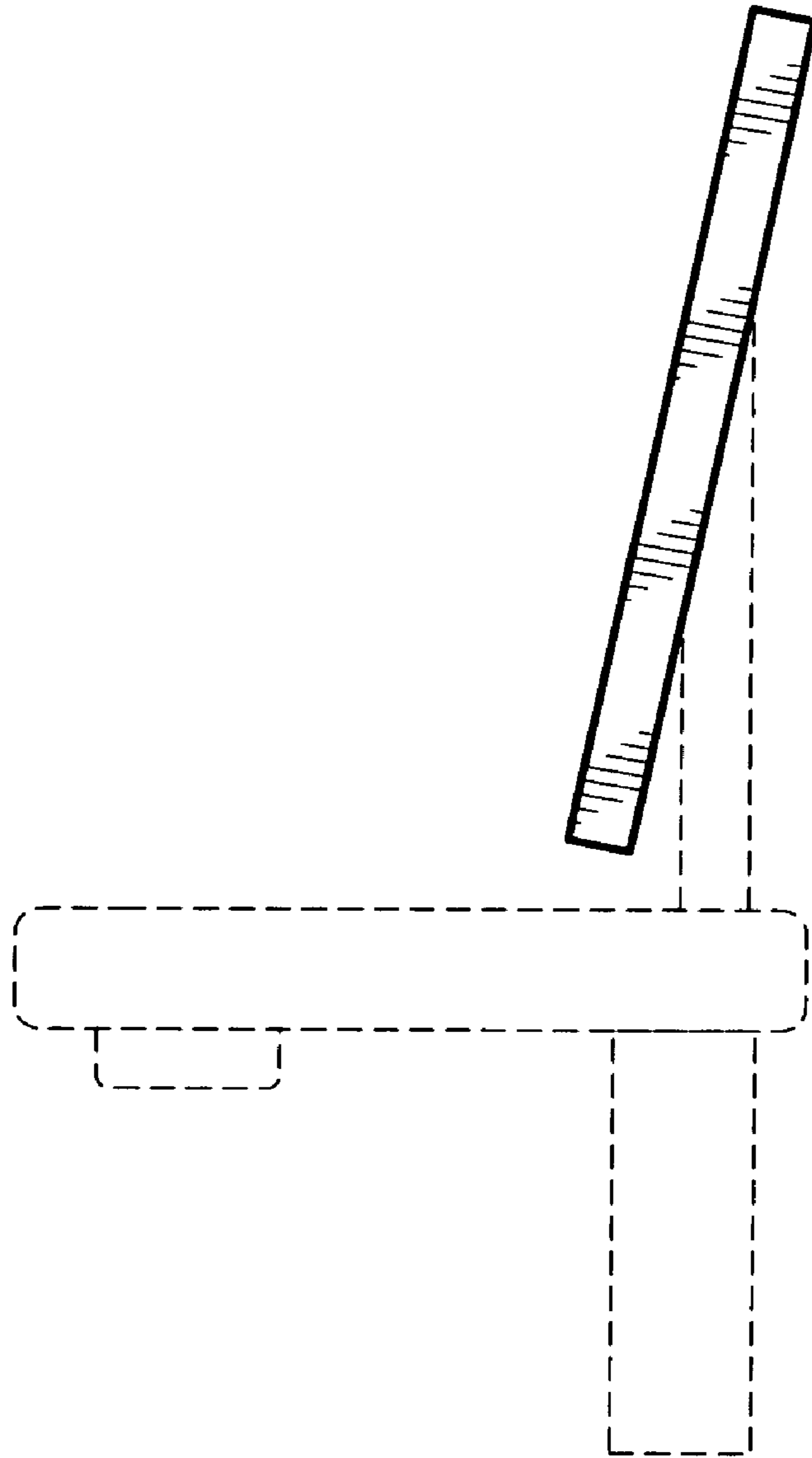


Fig. 5

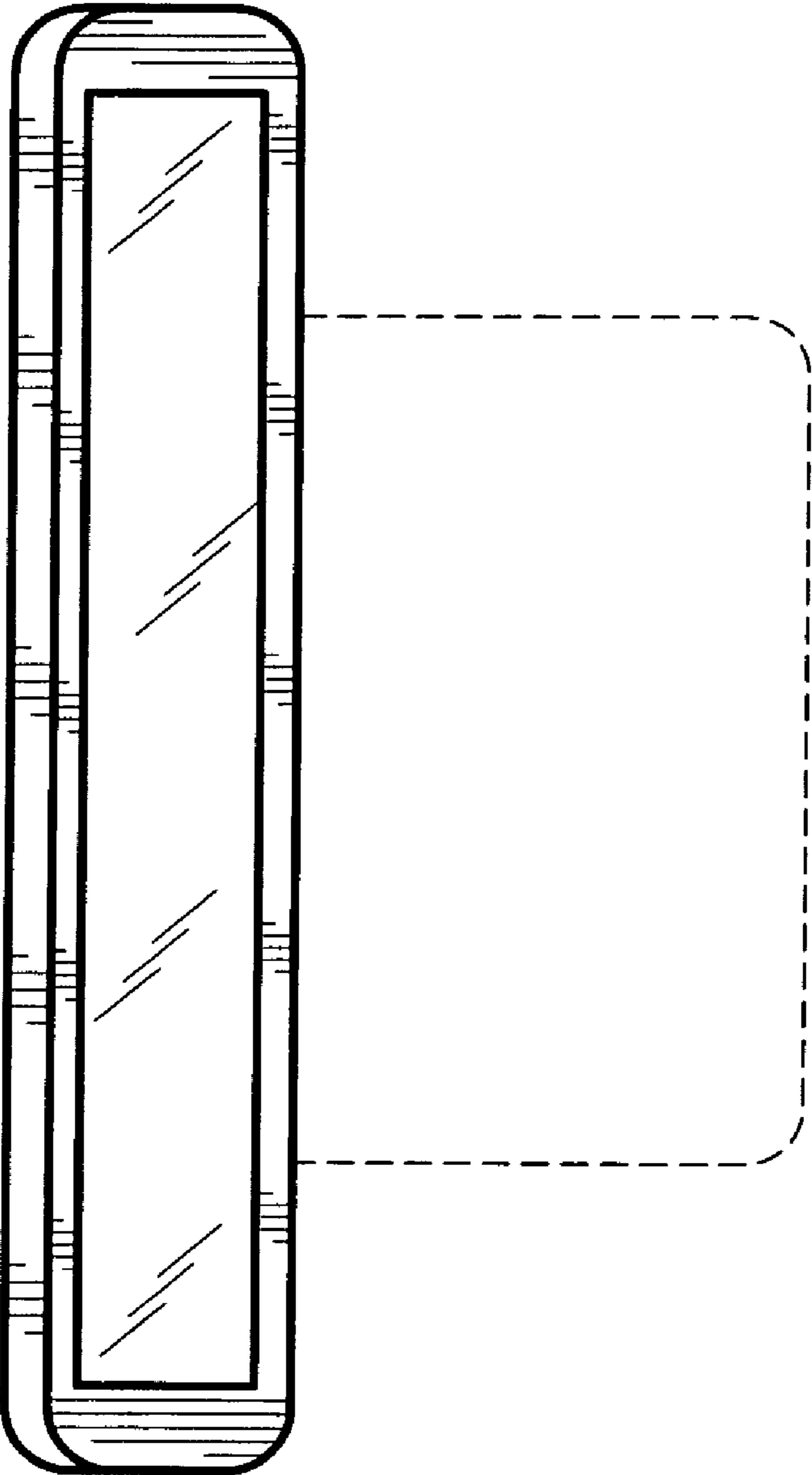


Fig. 6

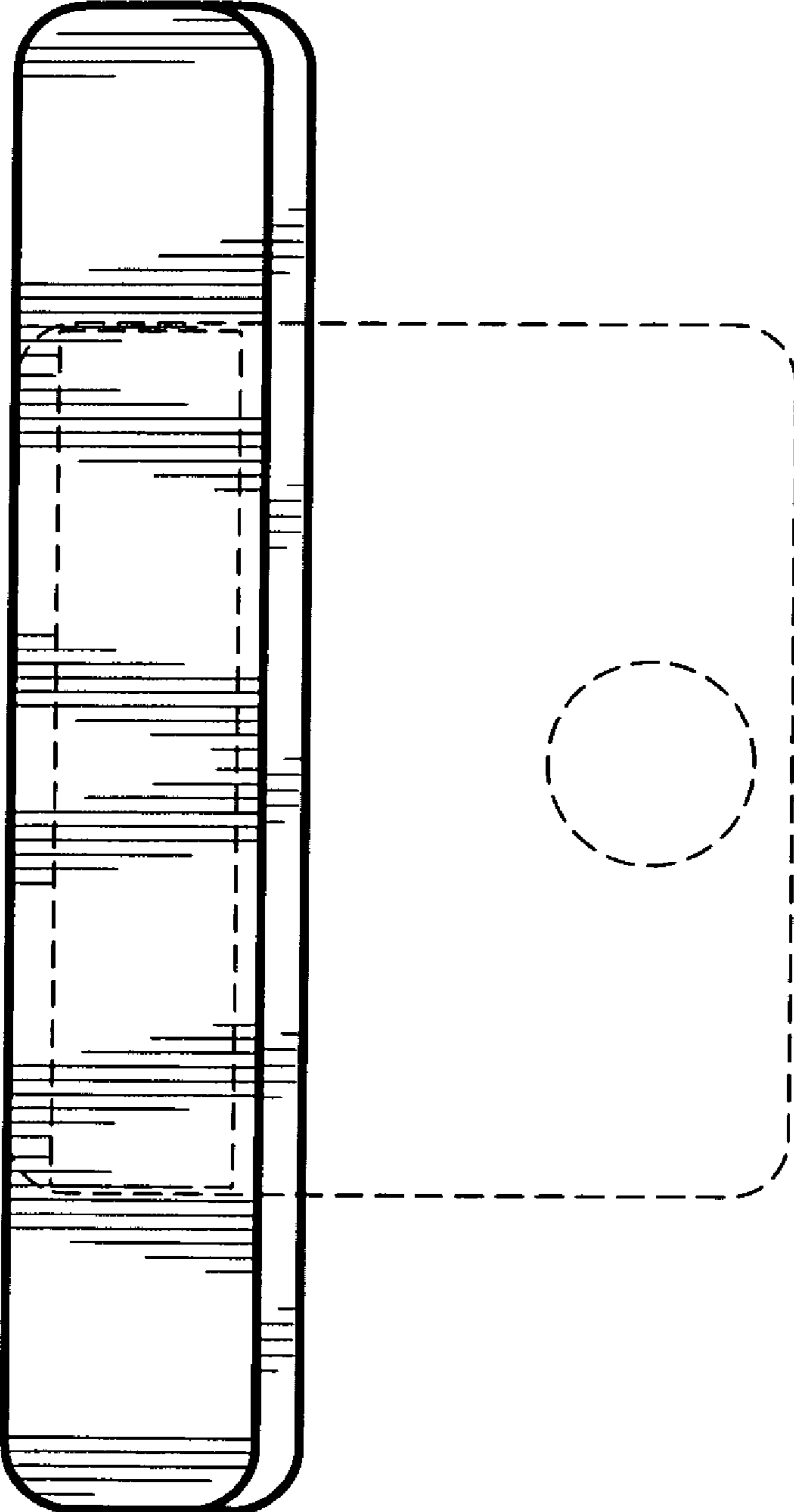


Fig. 7