



US00D670663S

(12) **United States Design Patent**  
**Ko**

(10) **Patent No.:** **US D670,663 S**

(45) **Date of Patent:** **\*\* Nov. 13, 2012**

(54) **LIGHT EMITTING DIODE LEAD-FRAME**

(75) Inventor: **Bo-Yu Ko**, New Taipei (TW)

(73) Assignee: **Lextar Electronics, Corp.**, Hsinchu (TW)

(\*\*) Term: **14 Years**

(21) Appl. No.: **29/408,561**

(22) Filed: **Dec. 14, 2011**

(30) **Foreign Application Priority Data**

Nov. 9, 2011 (TW) ..... 100306010

(51) **LOC (9) Cl.** ..... **13-03**

(52) **U.S. Cl.** ..... **D13/180**

(58) **Field of Classification Search** ..... D13/180;  
D26/1, 2; 257/79, 80, 81, 88, 89, 95, 98,  
257/99, 100, E33.058; 313/483, 498, 500;  
362/555, 800

See application file for complete search history.

(56) **References Cited**

**U.S. PATENT DOCUMENTS**

6,580,161	B2 *	6/2003	Kobayakawa	.....	257/676
D622,680	S *	8/2010	Lin et al.	.....	D13/180
7,781,888	B2 *	8/2010	Kobayakawa et al.	.....	257/730
D627,310	S *	11/2010	Lin et al.	.....	D13/180
D640,994	S *	7/2011	Lin et al.	.....	D13/180
D640,995	S *	7/2011	Lin et al.	.....	D13/180
D640,996	S *	7/2011	Lee et al.	.....	D13/180
D644,617	S *	9/2011	Nishino et al.	.....	D13/180
D645,425	S *	9/2011	Lin et al.	.....	D13/180

D656,106	S *	3/2012	Hsu	.....	D13/180
D656,468	S *	3/2012	Park et al.	.....	D13/180
D664,105	S *	7/2012	Hsu	.....	D13/180
D664,108	S *	7/2012	Wang	.....	D13/180
D664,109	S *	7/2012	Wang	.....	D13/180
D664,505	S *	7/2012	Ko	.....	D13/180
2007/0096114	A1 *	5/2007	Aoki et al.	.....	257/79
2010/0102348	A1 *	4/2010	Lin	.....	257/98
2011/0127566	A1 *	6/2011	Yoon	.....	257/99
2011/0186873	A1 *	8/2011	Emerson	.....	257/88
2011/0241030	A1 *	10/2011	Kim	.....	257/88
2012/0074451	A1 *	3/2012	Lin	.....	257/99
2012/0153327	A1 *	6/2012	Kim et al.	.....	257/98
2012/0161180	A1 *	6/2012	Komatsu et al.	.....	257/98
2012/0211789	A1 *	8/2012	Lee et al.	.....	257/98

\* cited by examiner

*Primary Examiner* — Selina Sikder

(74) *Attorney, Agent, or Firm* — Schmeiser Olsen & Watts LLP

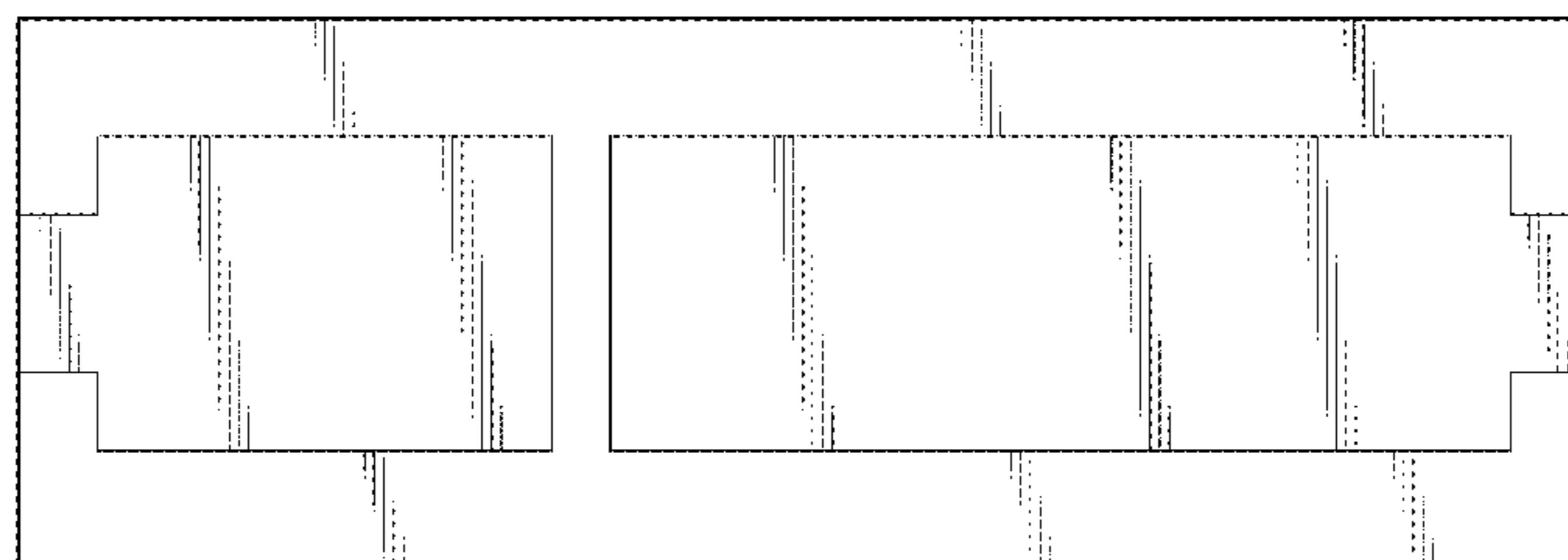
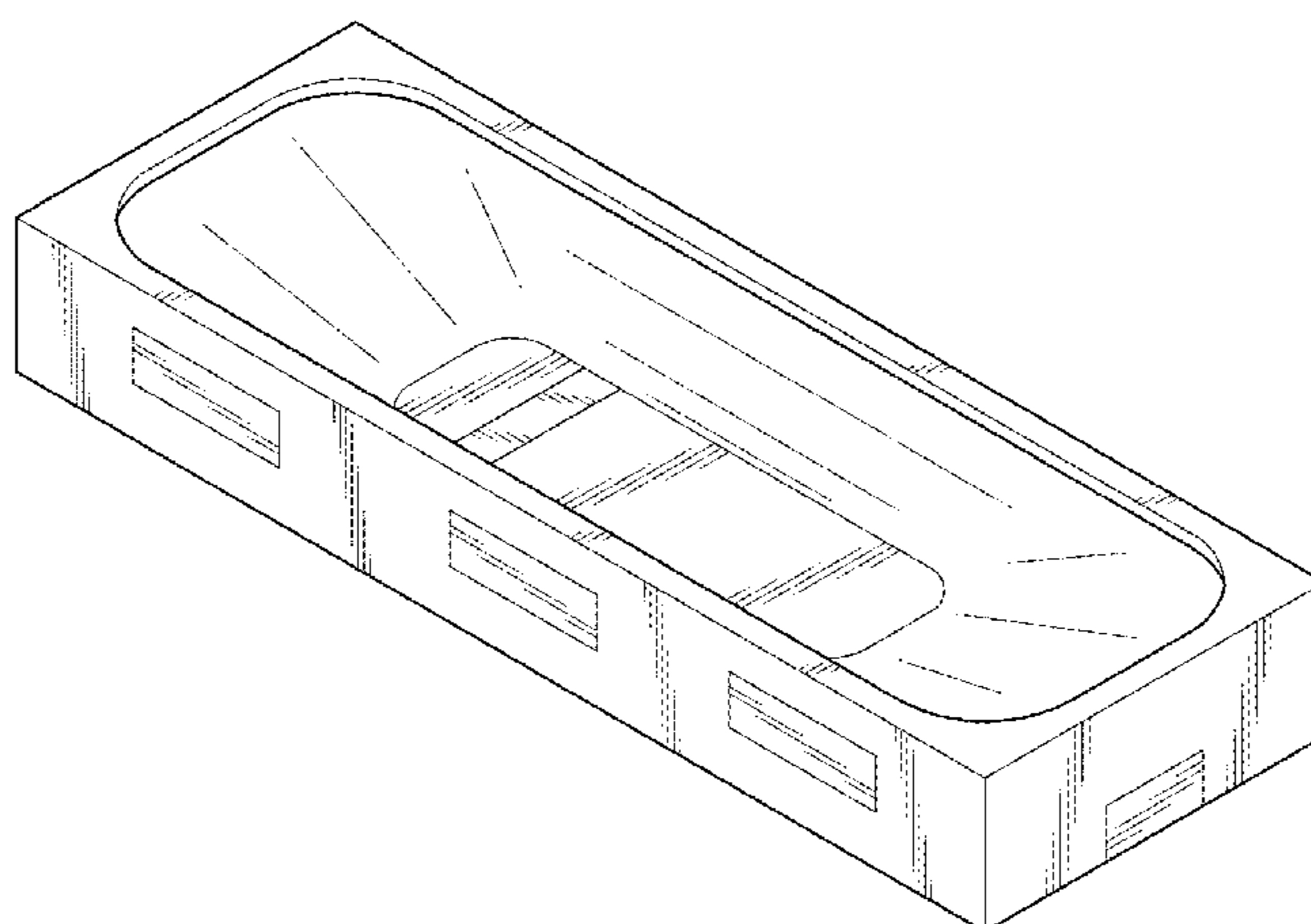
(57) **CLAIM**

The ornamental design for light emitting diode lead-frame, as shown and described.

**DESCRIPTION**

FIG. 1 is a front perspective view of light emitting diode lead-frame showing the new design; FIG. 2 is a front elevational view thereof; FIG. 3 is a rear elevational view thereof; FIG. 4 is a left side elevational view thereof; FIG. 5 is a right side elevational view thereof; FIG. 6 is a top plan view thereof; and, FIG. 7 is a bottom plan view thereof.

**1 Claim, 7 Drawing Sheets**



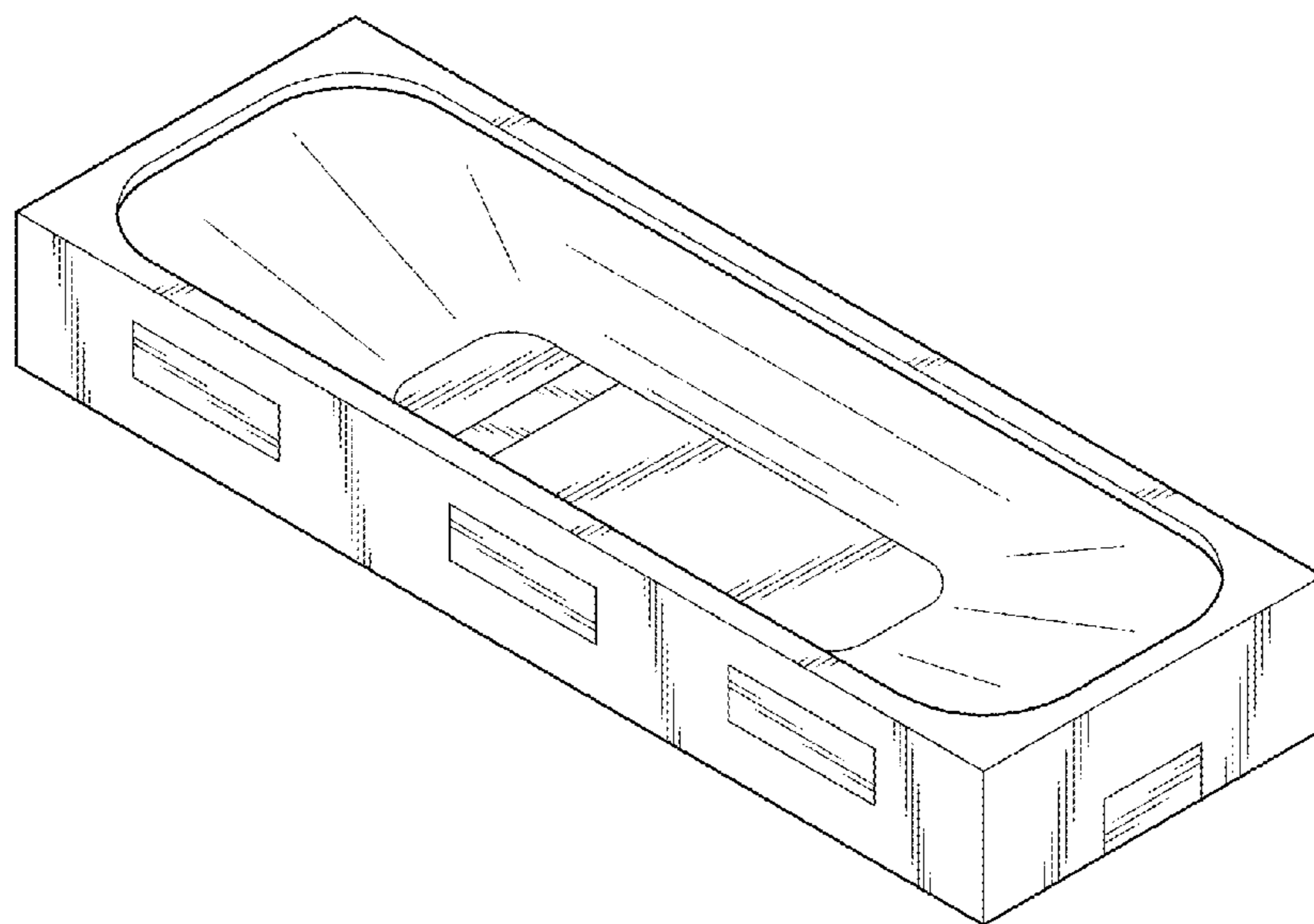


FIG.1

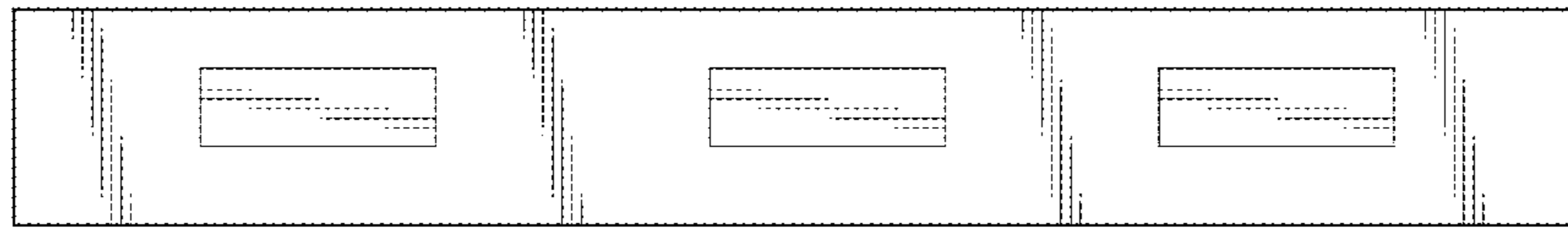


FIG.2

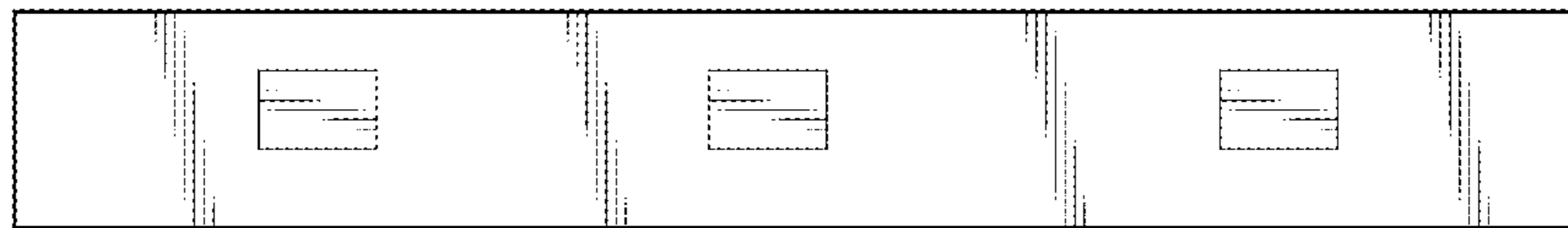


FIG.3

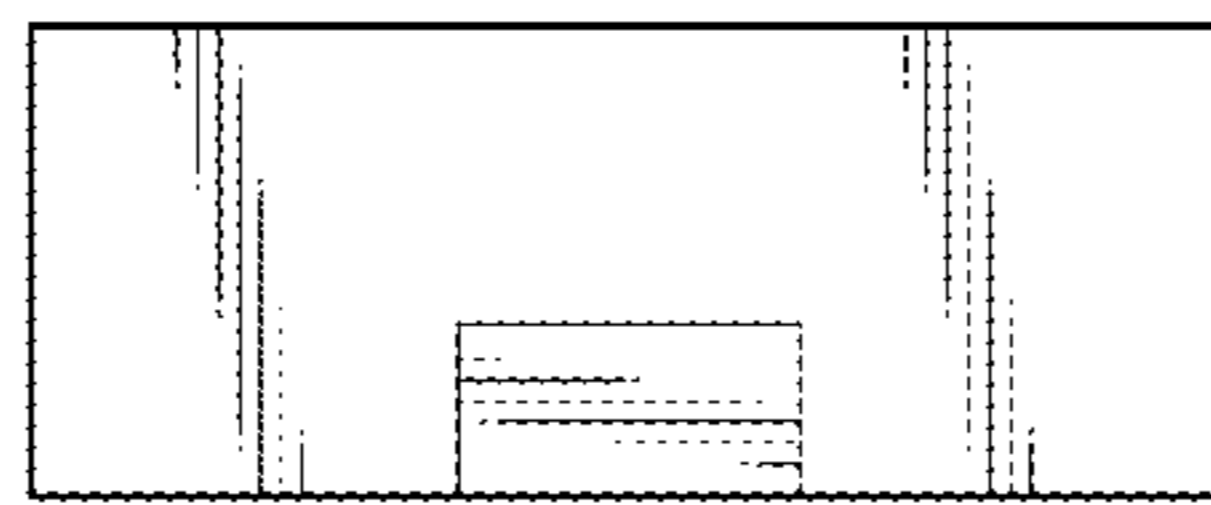


FIG.4

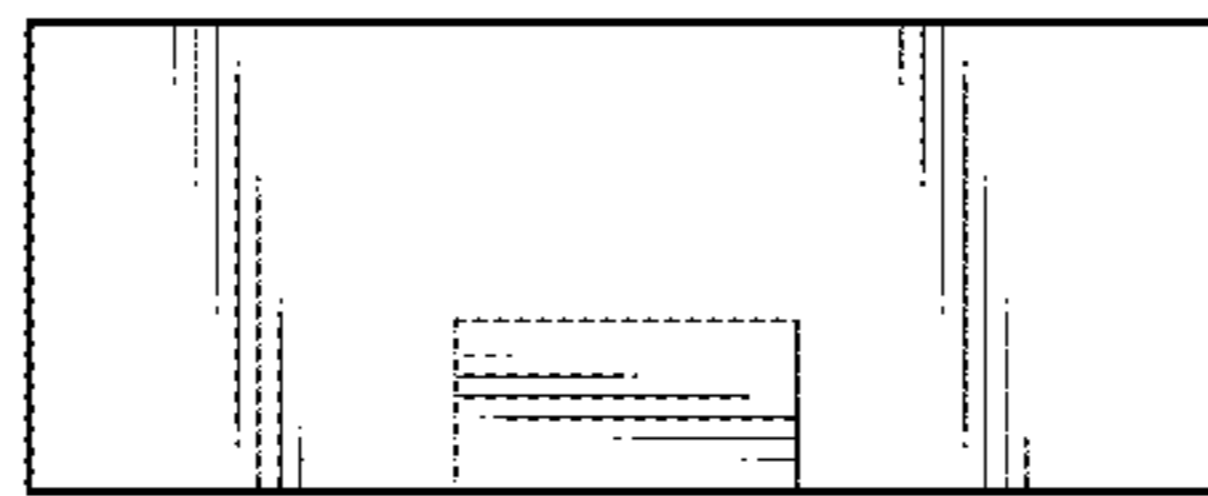


FIG.5

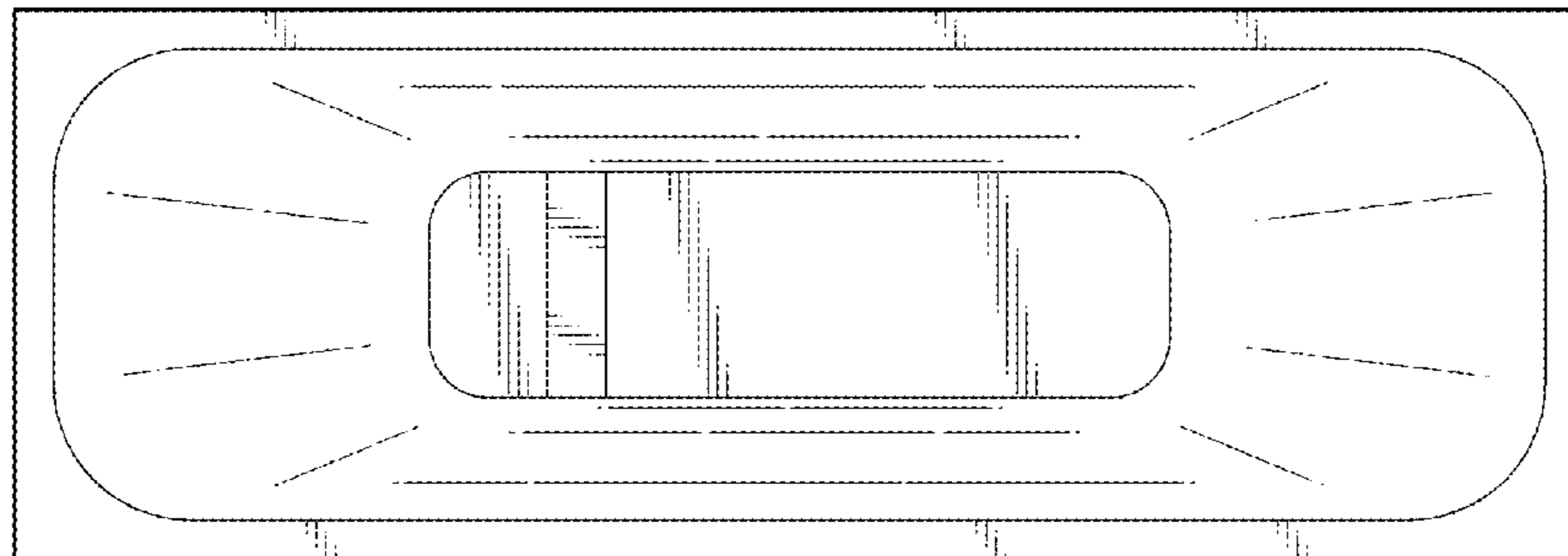


FIG.6

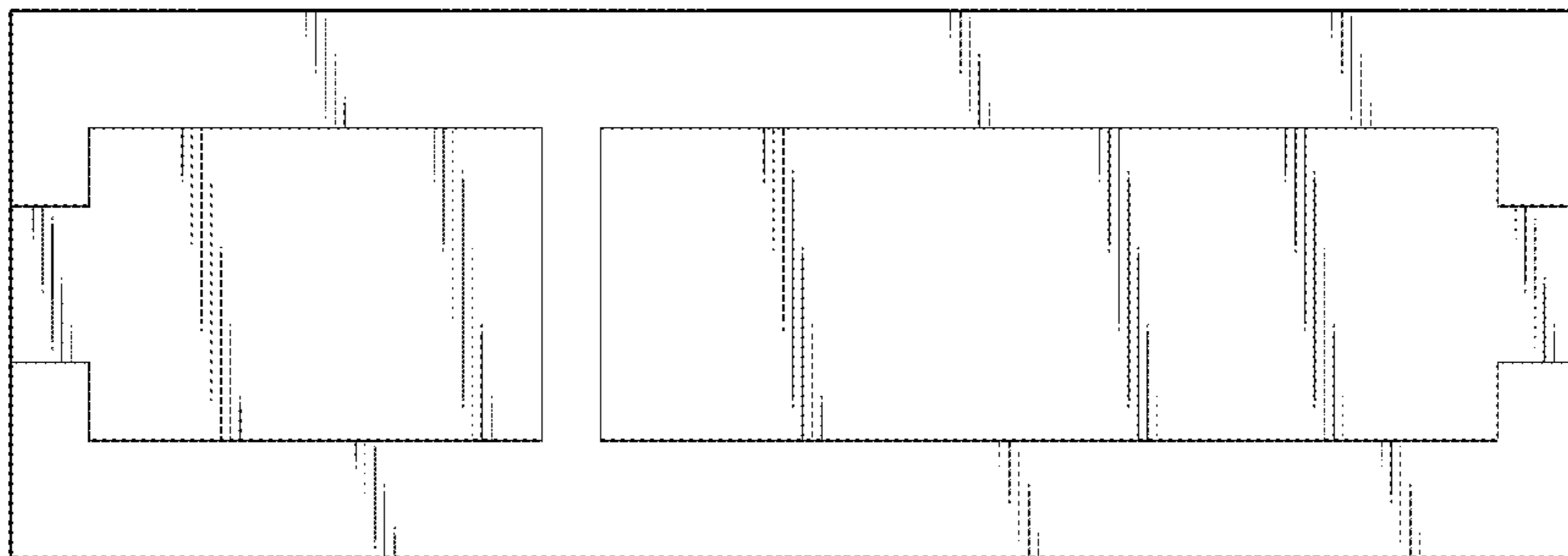


FIG. 7