



US00D670662S

(12) **United States Design Patent**
Sun

(10) **Patent No.:** **US D670,662 S**

(45) **Date of Patent:** **** Nov. 13, 2012**

(54) **LIGHT EMITTING DIODE PACKAGE**

(75) Inventor: **Te-Hao Sun**, Kaohsiung (TW)

(73) Assignee: **Lextar Electronics, Corp**, Hsinchu (TW)

(**) Term: **14 Years**

(21) Appl. No.: **29/406,916**

(22) Filed: **Nov. 21, 2011**

(30) **Foreign Application Priority Data**

Jul. 14, 2011 (TW) 100303611

(51) **LOC (9) Cl.** **13-03**

(52) **U.S. Cl.** **D13/180**

(58) **Field of Classification Search** D13/180;
D26/1, 2; 257/79, 80, 81, 88, 89, 95, 98,
257/99, 100, E33.058; 313/483, 498, 500;
362/555, 800

See application file for complete search history.

(56) **References Cited**

U.S. PATENT DOCUMENTS

7,393,122 B2 * 7/2008 Tsuzuki et al. 362/304
D609,654 S * 2/2010 Hsieh D13/180

D610,558 S * 2/2010 Hsieh D13/180
D615,935 S * 5/2010 An et al. D13/180
D622,231 S * 8/2010 Sung D13/180
D630,596 S * 1/2011 An D13/180

* cited by examiner

Primary Examiner — Selina Sikder

(74) *Attorney, Agent, or Firm* — Schmeiser Olsen & Watts LLP

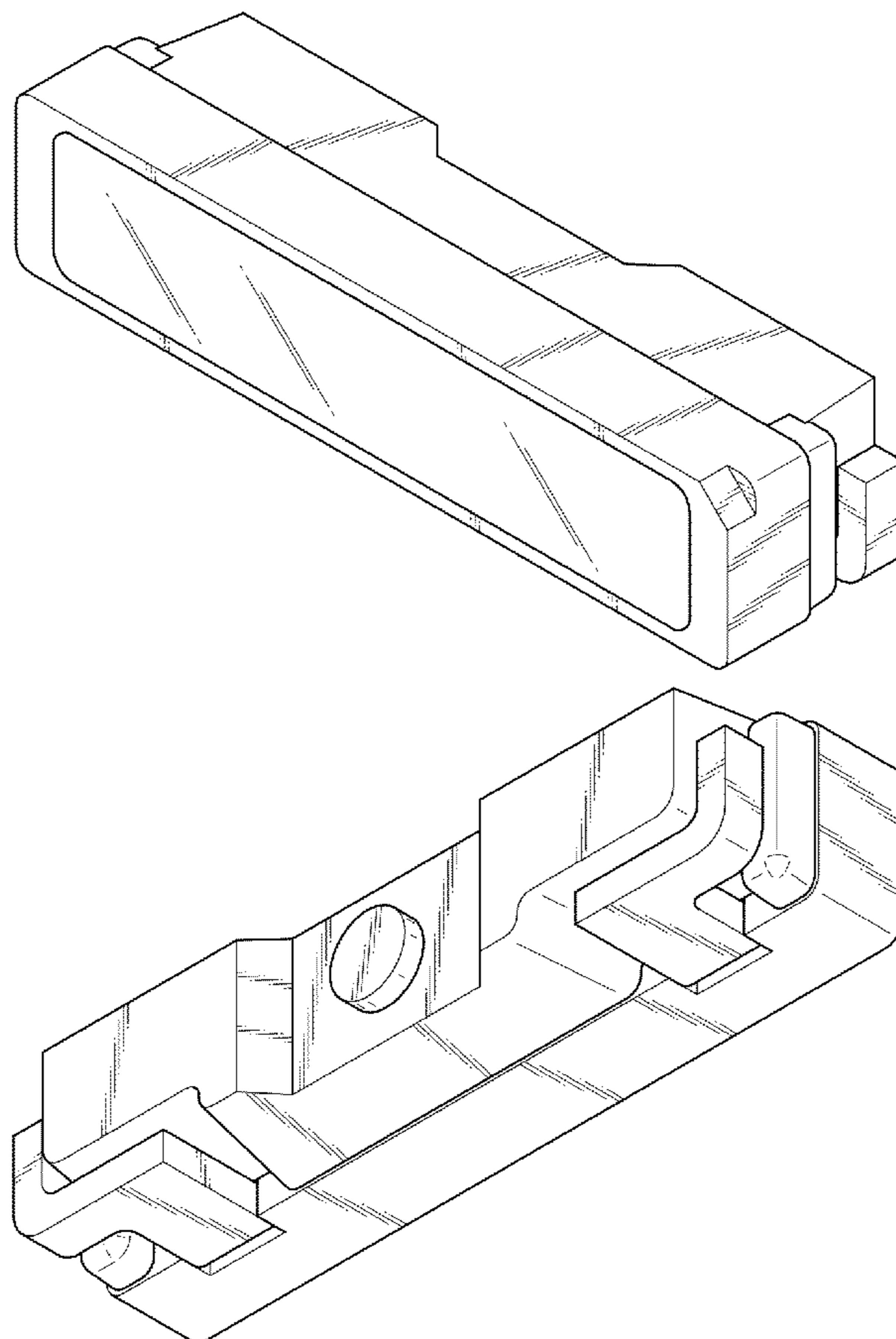
(57) **CLAIM**

I claim the ornamental design for light emitting diode package, as shown and described.

DESCRIPTION

FIG. 1 is a front perspective view of light emitting diode package showing the new design;
FIG. 2 is a front elevational view thereof;
FIG. 3 is a rear elevational view thereof;
FIG. 4 is a left side elevational view thereof;
FIG. 5 is a right side elevational view thereof;
FIG. 6 is a top plan view thereof;
FIG. 7 is a bottom plan view thereof;
FIG. 8 is the other perspective view thereof; and,
FIG. 9 is another perspective view thereof.

1 Claim, 9 Drawing Sheets



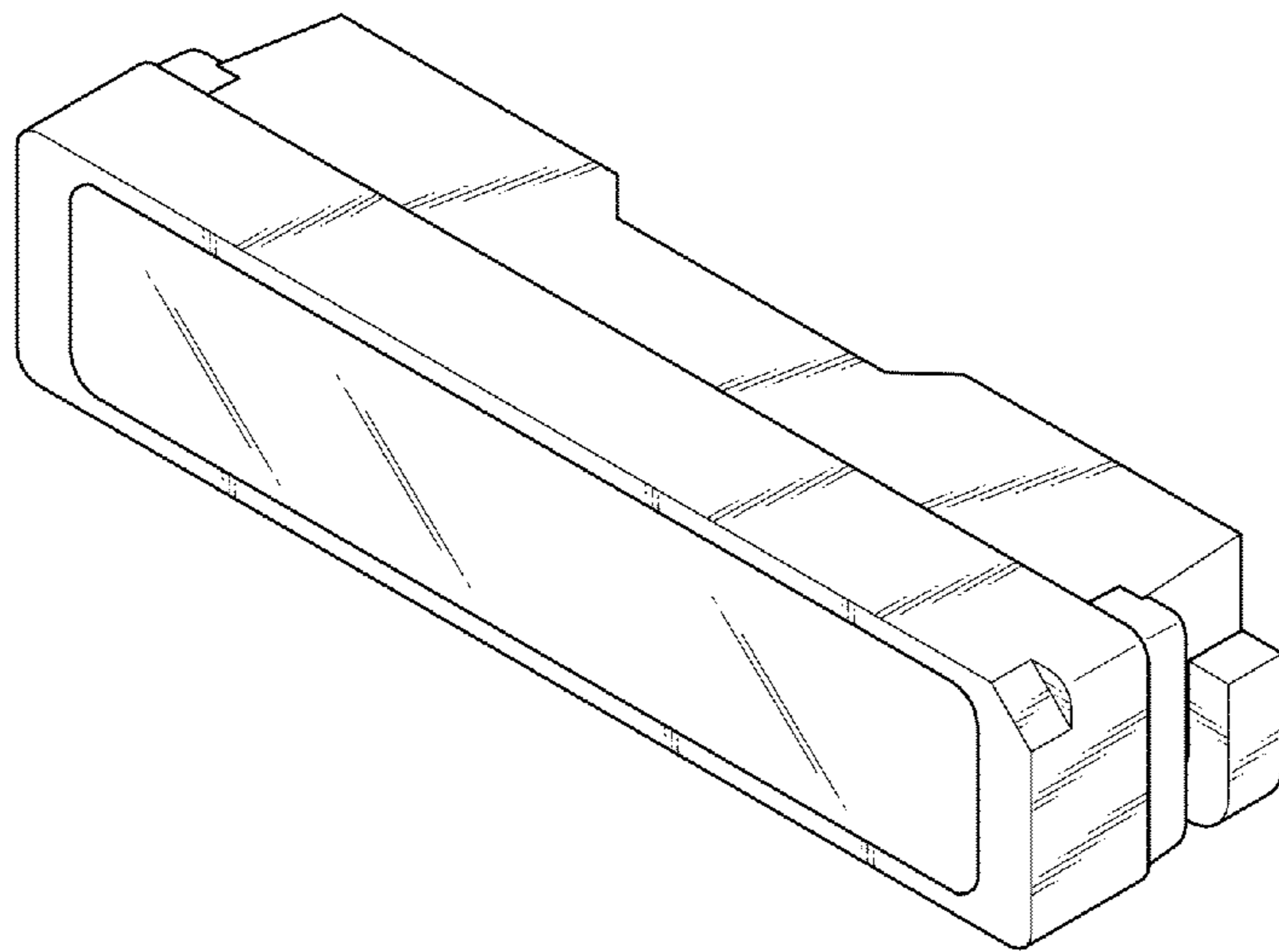


FIG.1

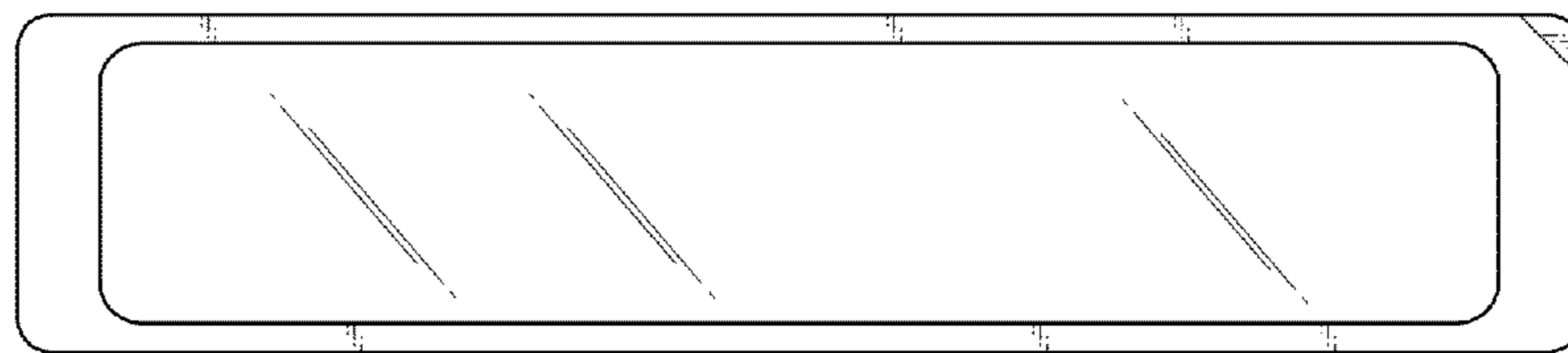


FIG.2

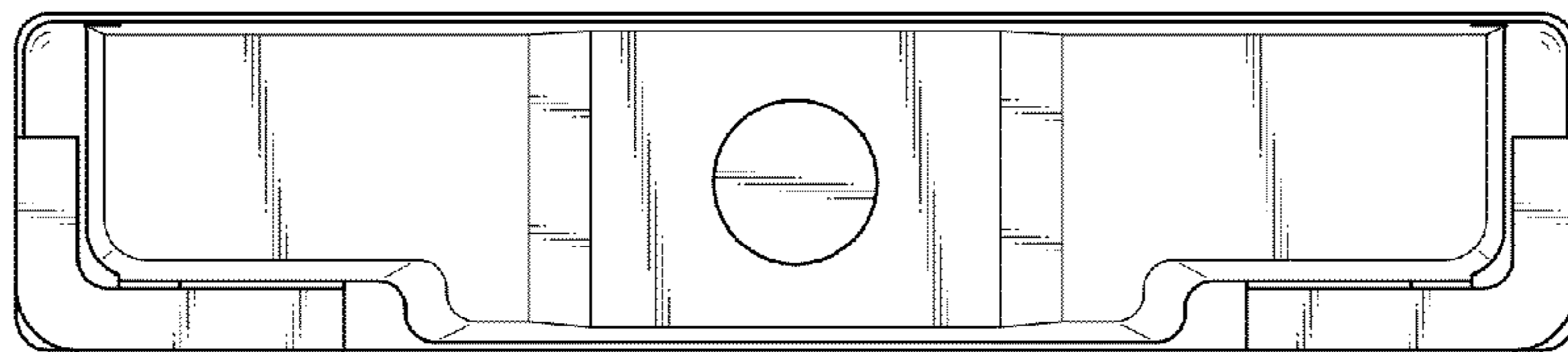


FIG.3

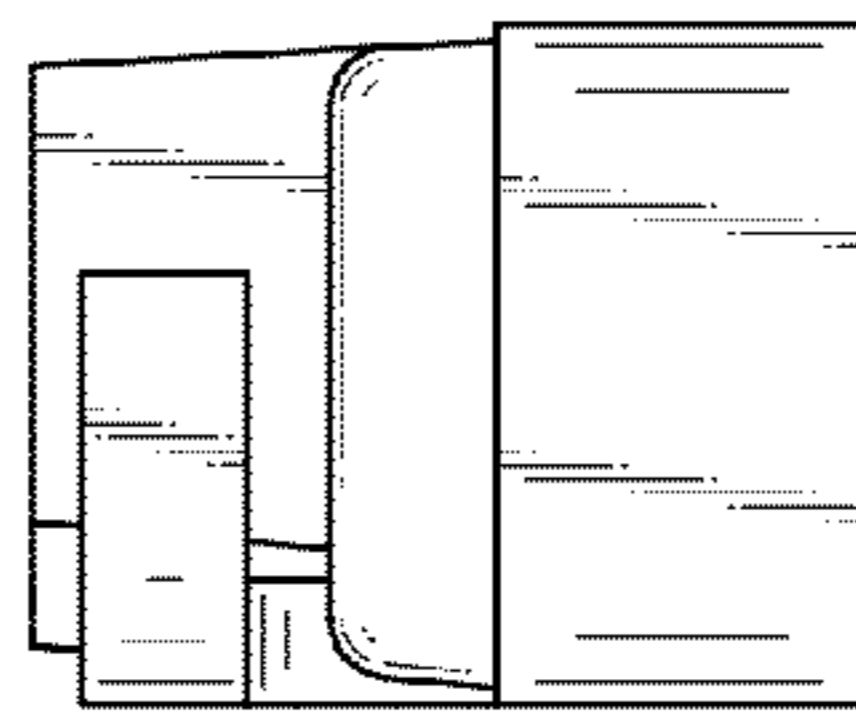


FIG.4

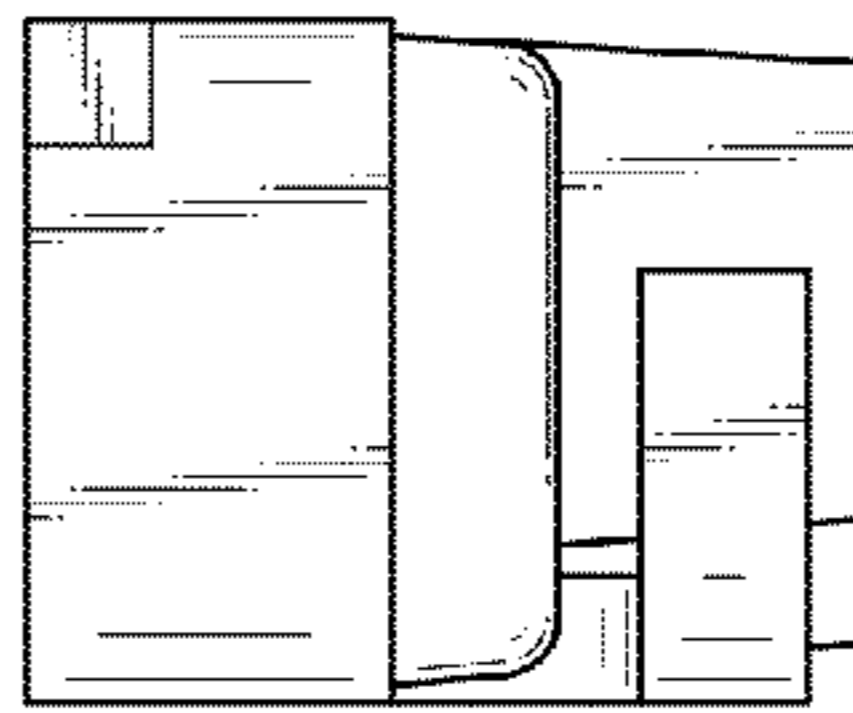


FIG.5

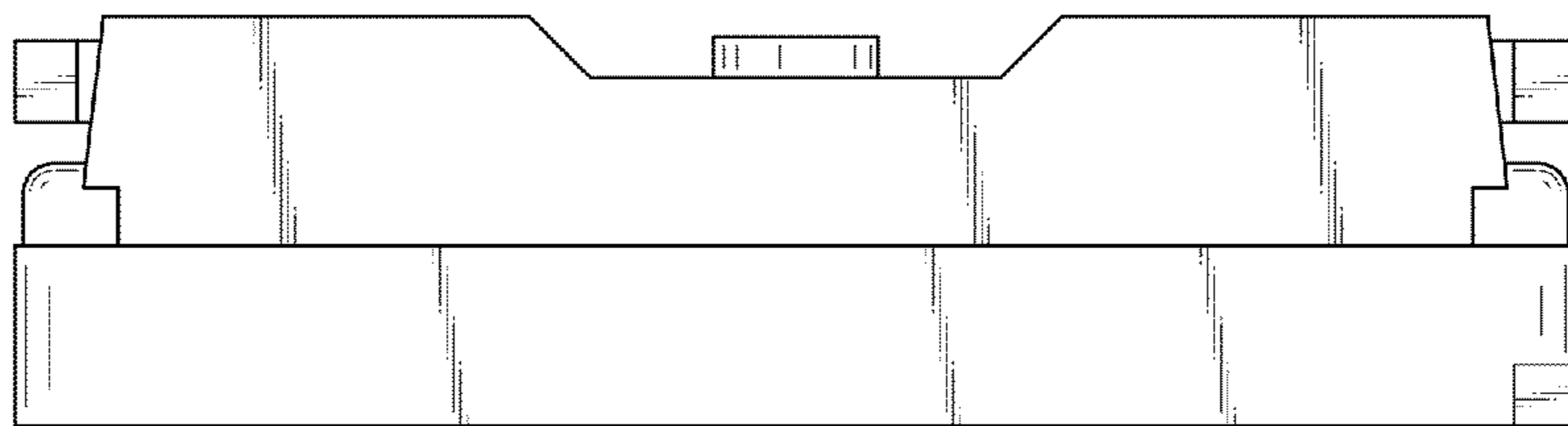


FIG.6

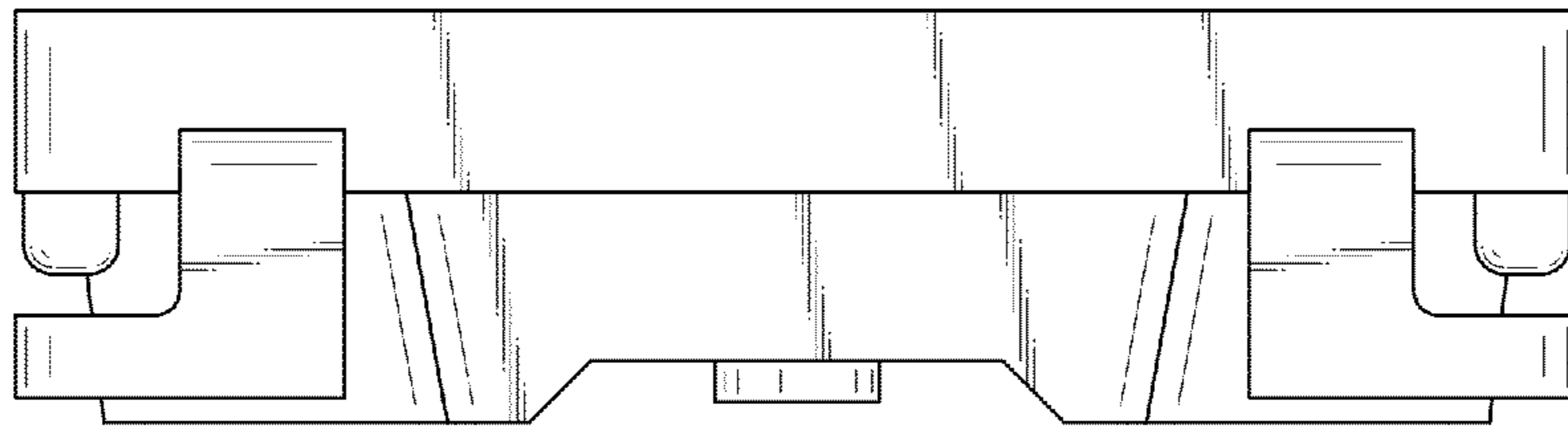


FIG. 7

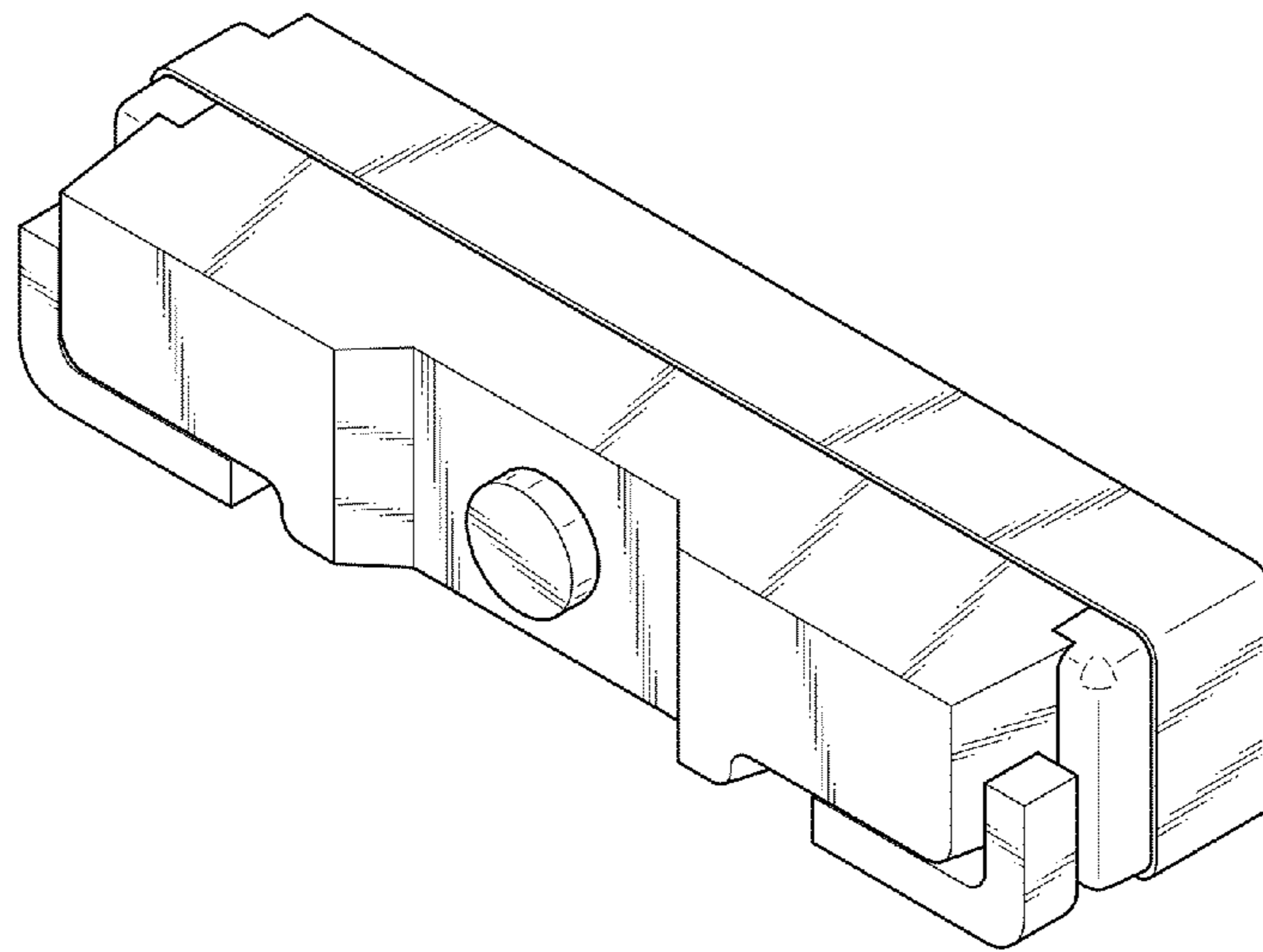


FIG.8

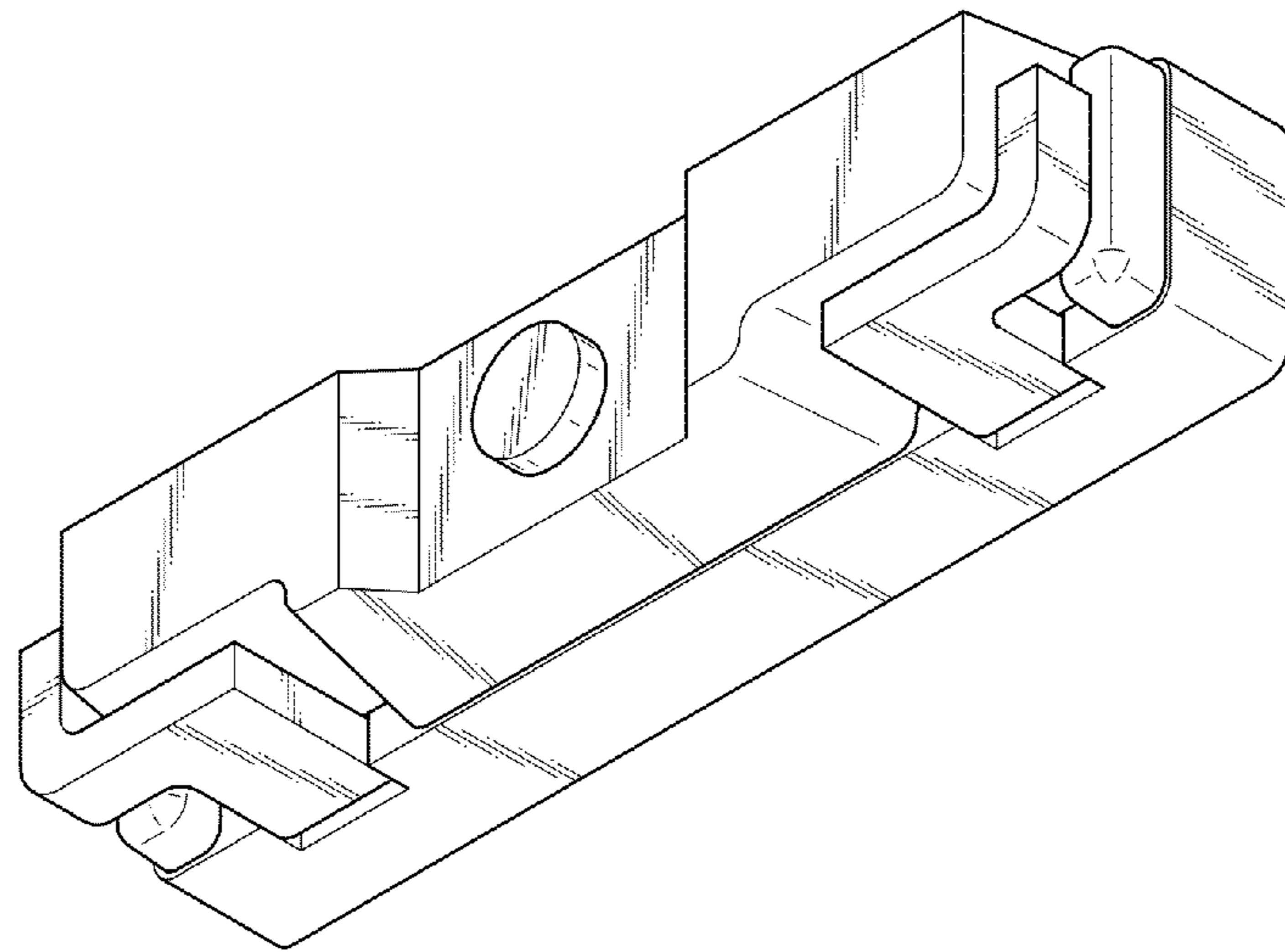


FIG. 9