



US00D670659S

(12) **United States Design Patent**
Ishikawa et al.

(10) **Patent No.:** **US D670,659 S**

(45) **Date of Patent:** **** Nov. 13, 2012**

(54) **REMOTE CONTROLLER FOR TOILET SEAT WITH BIDET**

(75) Inventors: **Masafumi Ishikawa**, Fukuoka (JP);
Hajime Kakihana, Fukuoka (JP); **Yuji Yoshioka**, Fukuoka (JP)

(73) Assignee: **Toto Ltd.** (JP)

(**) Term: **14 Years**

(21) Appl. No.: **29/412,066**

(22) Filed: **Jan. 30, 2012**

(51) **LOC (9) Cl.** **14-03**

(52) **U.S. Cl.** **D13/168**

(58) **Field of Classification Search** D13/168;
D10/104.1, 106.1; D14/218; D23/309; 4/420.2,
4/420.4, 443; 137/606, 607, 624.11; 236/12.12;
379/102.1, 102.02, 102.03, 102.05
See application file for complete search history.

(56) **References Cited**

U.S. PATENT DOCUMENTS

D293,669	S *	1/1988	Ogilvie	D13/168
D354,477	S *	1/1995	Kawamura et al.	D23/309
6,327,718	B1 *	12/2001	Ono et al.	4/420.2
6,754,912	B1 *	6/2004	Hayashi et al.	4/420.2
D528,991	S *	9/2006	Katsuyama et al.	D13/168
7,191,473	B2 *	3/2007	Matsumoto et al.	4/420.2
D541,225	S *	4/2007	Katsuyama et al.	D13/168
7,372,002	B2 *	5/2008	Nakamura et al.	219/494
D573,548	S *	7/2008	Chouji et al.	D13/168
D578,967	S *	10/2008	Kumano	D13/168
D591,272	S *	4/2009	Vitito	D14/218
D632,264	S *	2/2011	Choi et al.	D13/168

D639,276	S *	6/2011	Loh	D14/218
8,208,255	B2 *	6/2012	Enomoto et al.	361/679.56
2002/0071535	A1 *	6/2002	Da Silva	379/102.01
2011/0203043	A1 *	8/2011	Jin et al.	4/443

* cited by examiner

Primary Examiner — Selina Sikder

(74) *Attorney, Agent, or Firm* — Banner & Witcoff, Ltd.

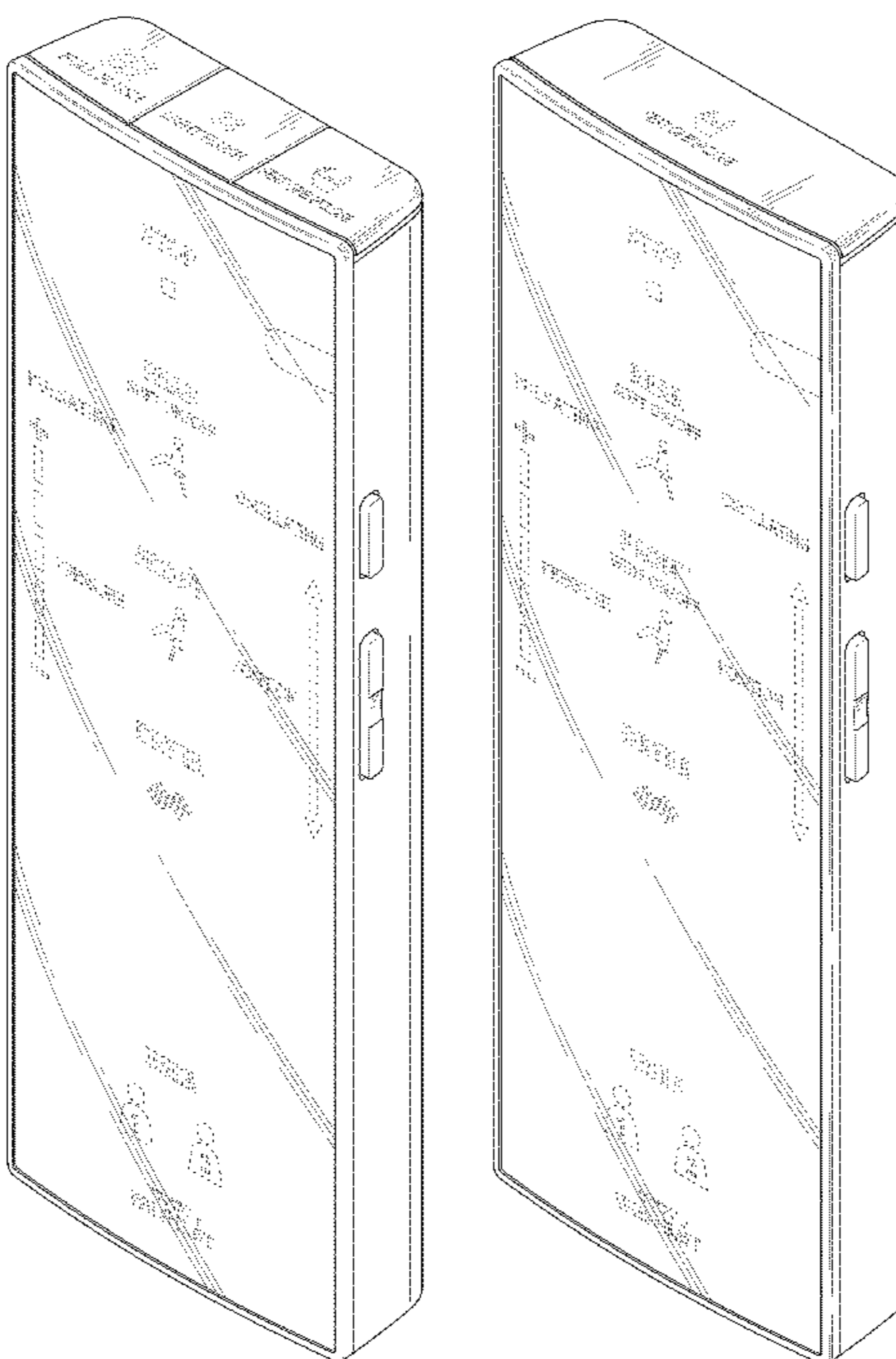
(57) **CLAIM**

The ornamental design for a remote controller for toilet seat with bidet, as shown and described.

DESCRIPTION

FIG. 1 is a perspective view of the front, right and top of a remote controller for toilet seat with bidet according to a first embodiment showing our new design; FIG. 2 is a front view thereof; FIG. 3 is a rear view thereof; FIG. 4 is a left side view thereof; FIG. 5 is a right side view thereof; FIG. 6 is a top view thereof; FIG. 7 is a bottom view thereof; FIG. 8 is a perspective view of the front, right and top of a remote controller for toilet seat with bidet according to a second embodiment showing our new design; FIG. 9 is a front view thereof; FIG. 10 is a rear view thereof; FIG. 11 is a left side view thereof; FIG. 12 is right side view thereof; FIG. 13 is a top view thereof; and, FIG. 14 is a bottom view thereof. The portions of the article in broken lines are shown for illustrative purposes only and form no part of the claimed design.

1 Claim, 10 Drawing Sheets



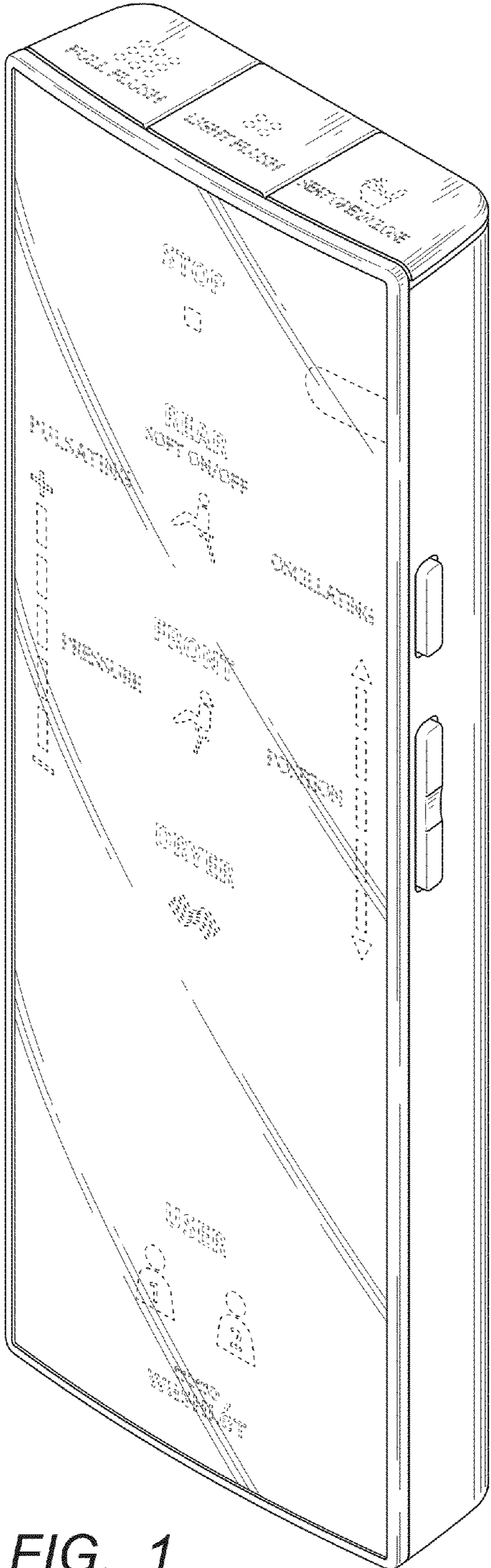


FIG. 1

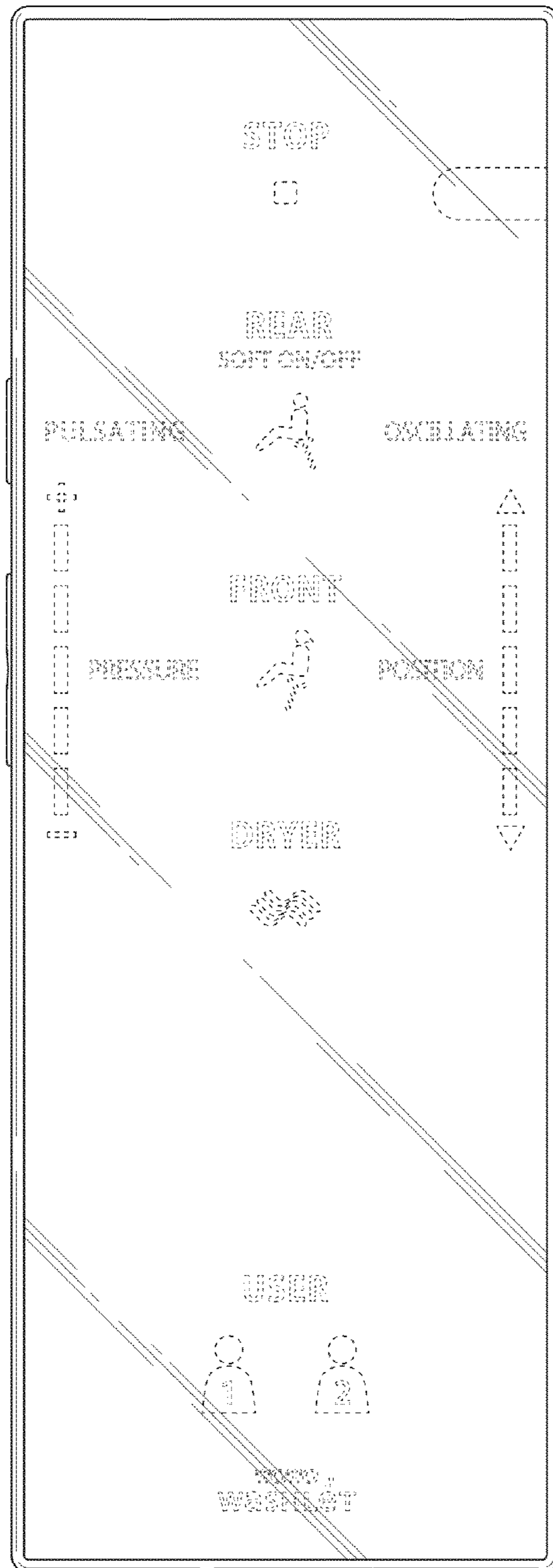


FIG. 2

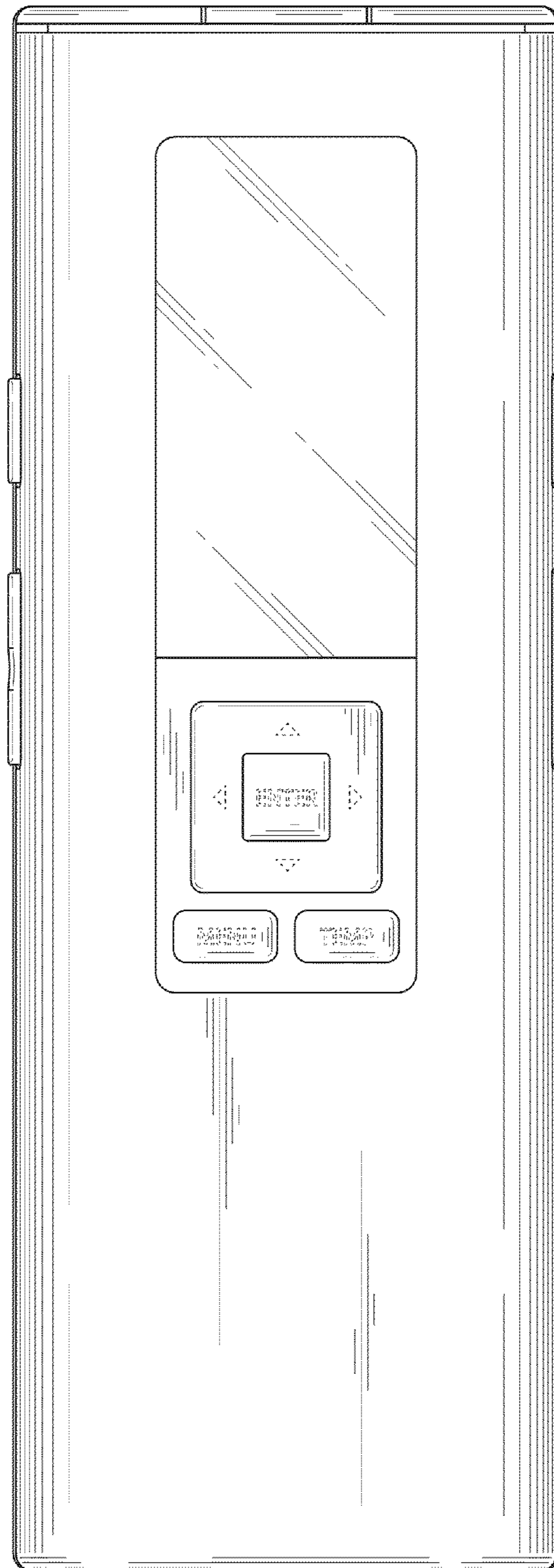


FIG. 3

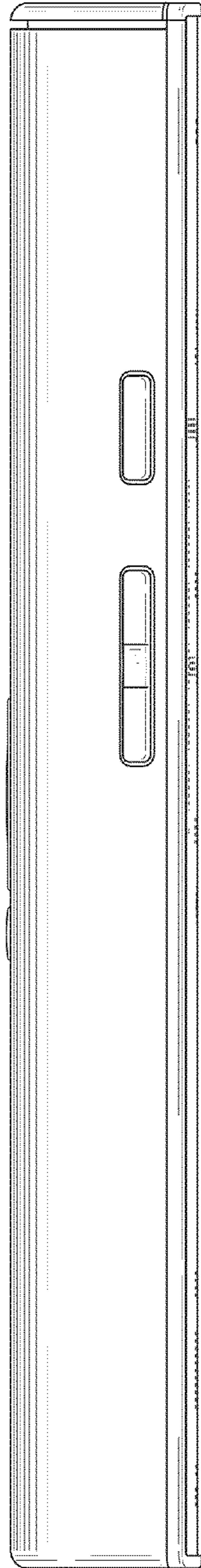


FIG. 4

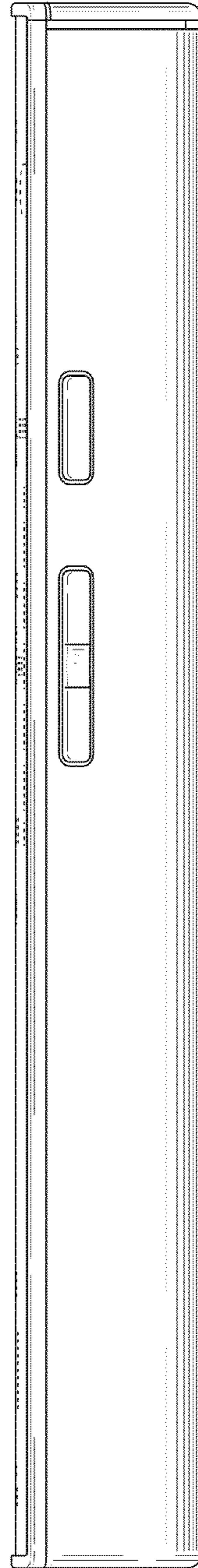


FIG. 5

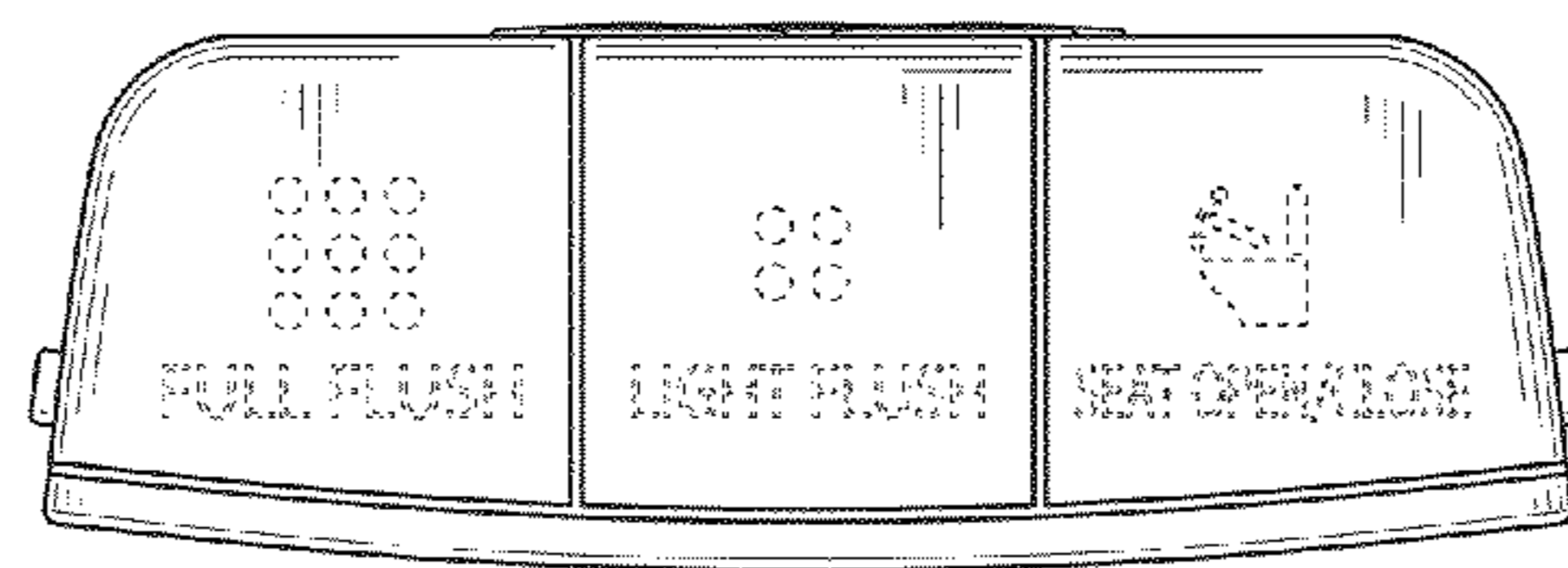


FIG. 6

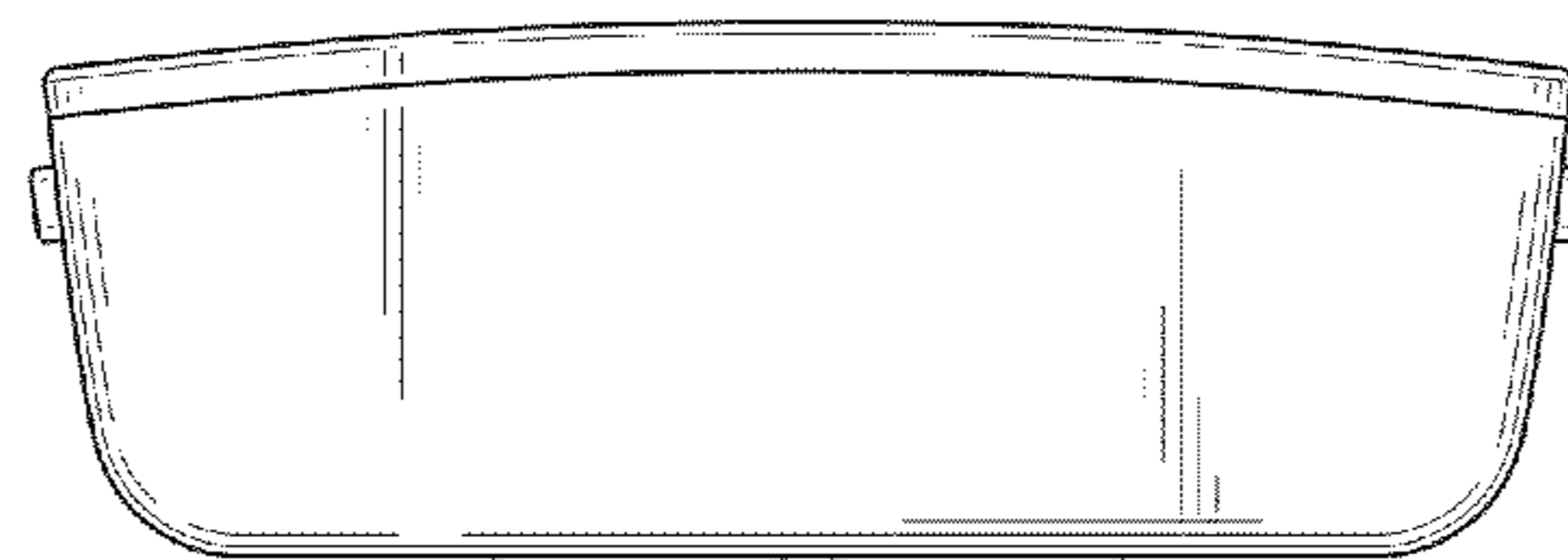


FIG. 7

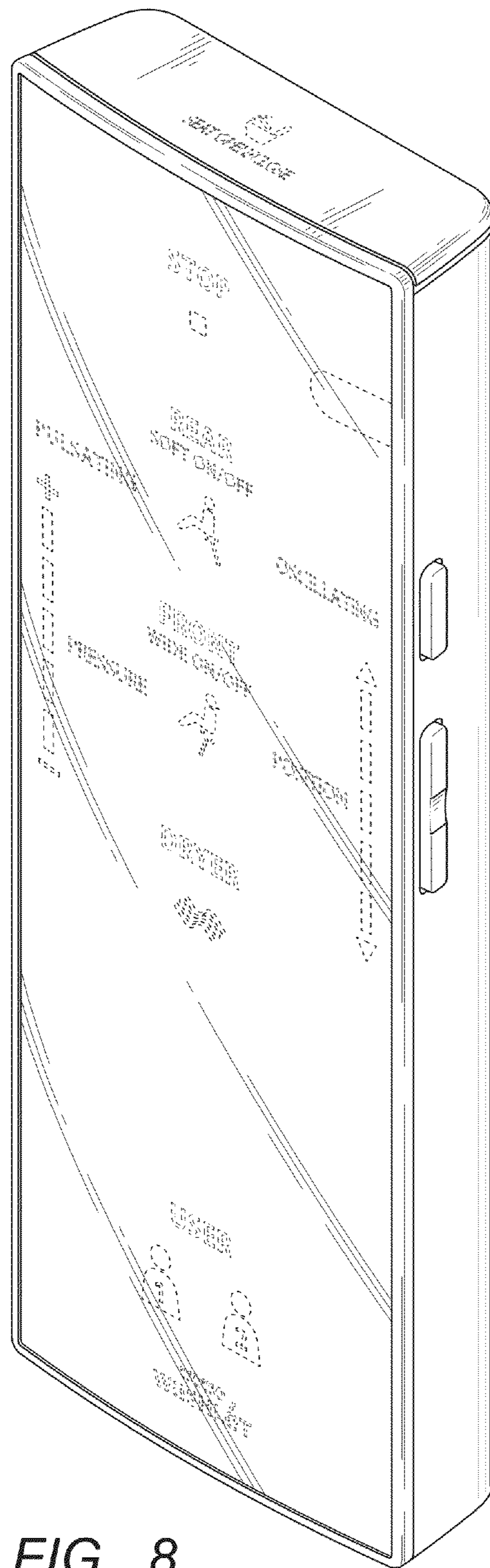


FIG. 8

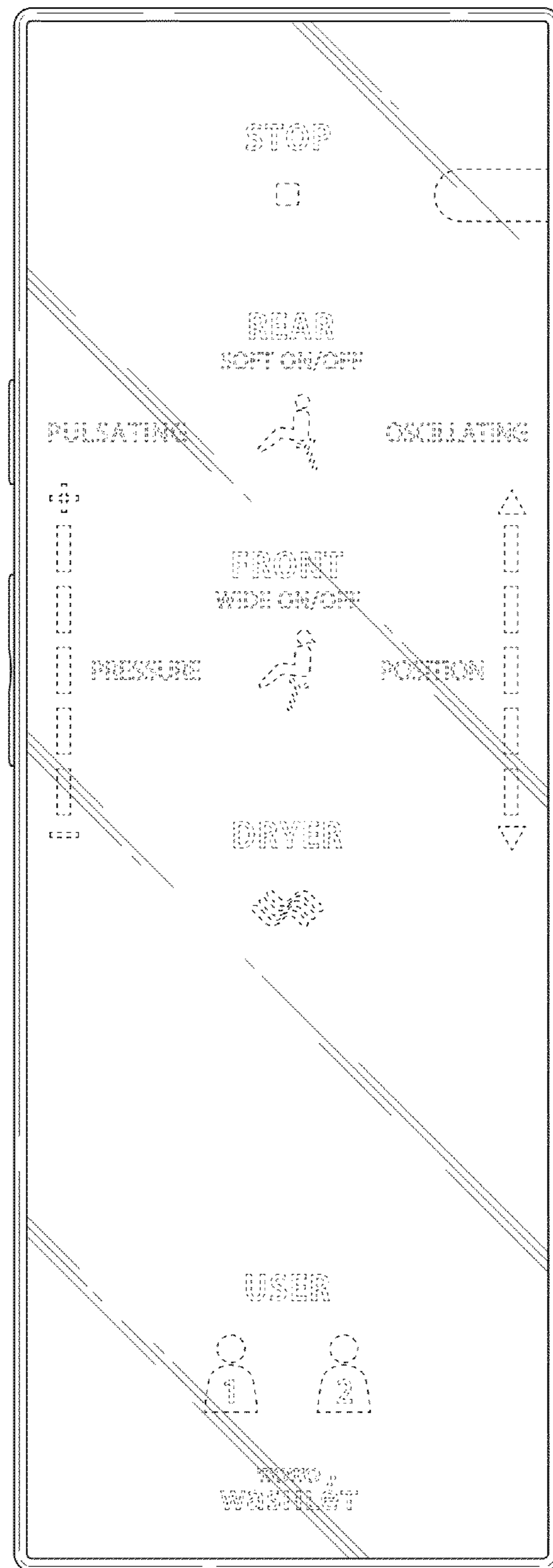


FIG. 9

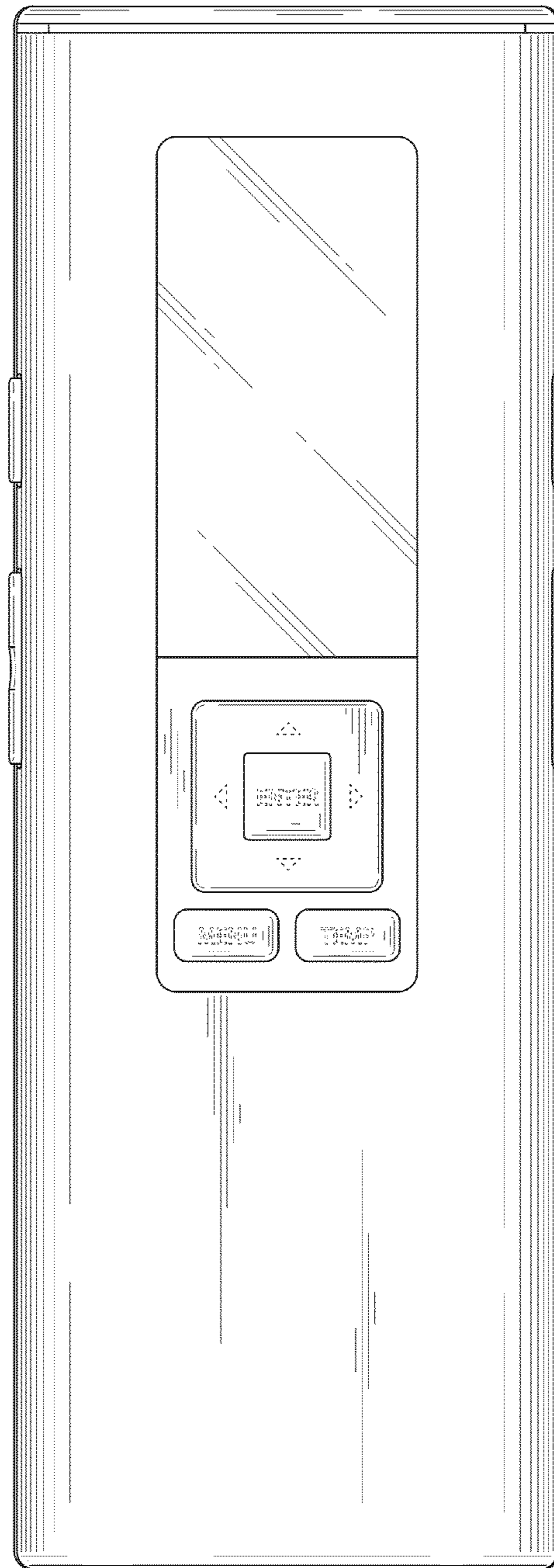


FIG. 10

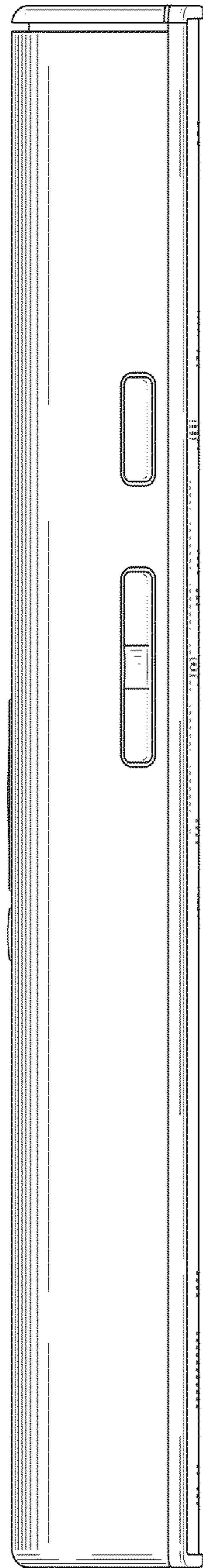


FIG. 11

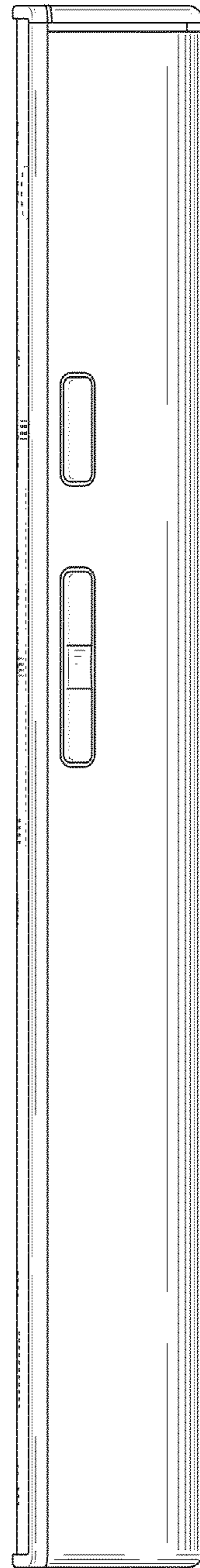


FIG. 12

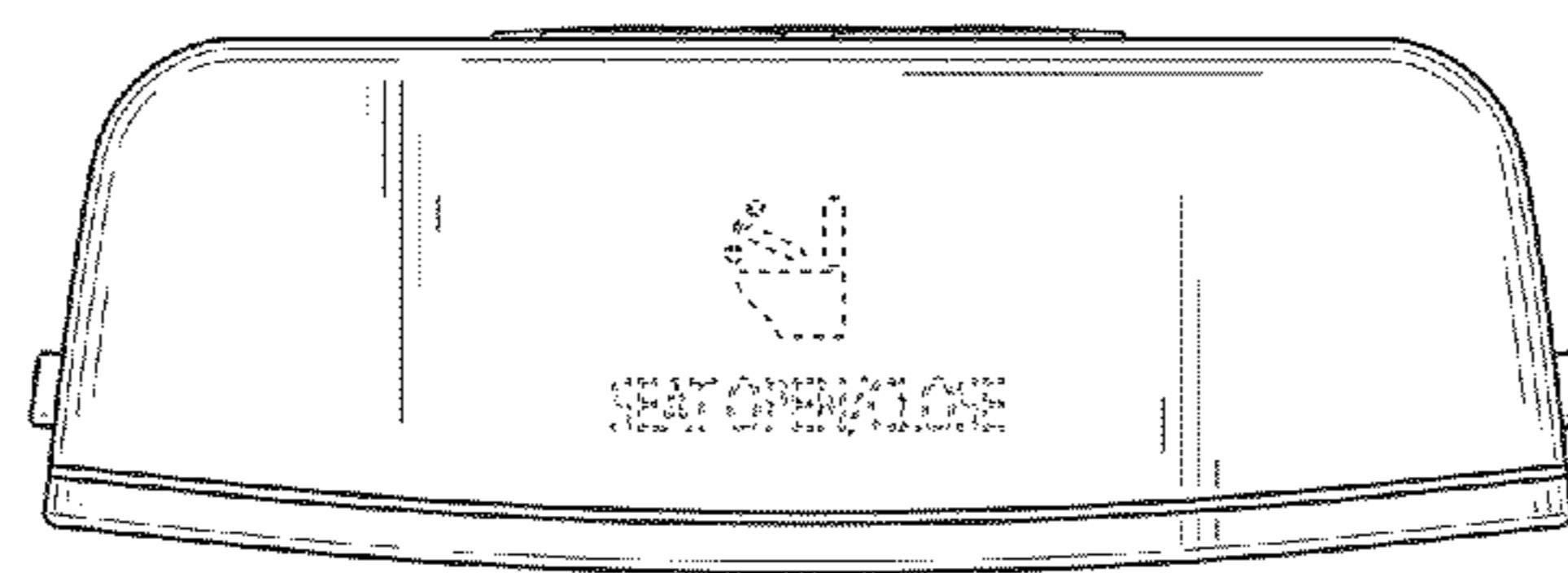


FIG. 13

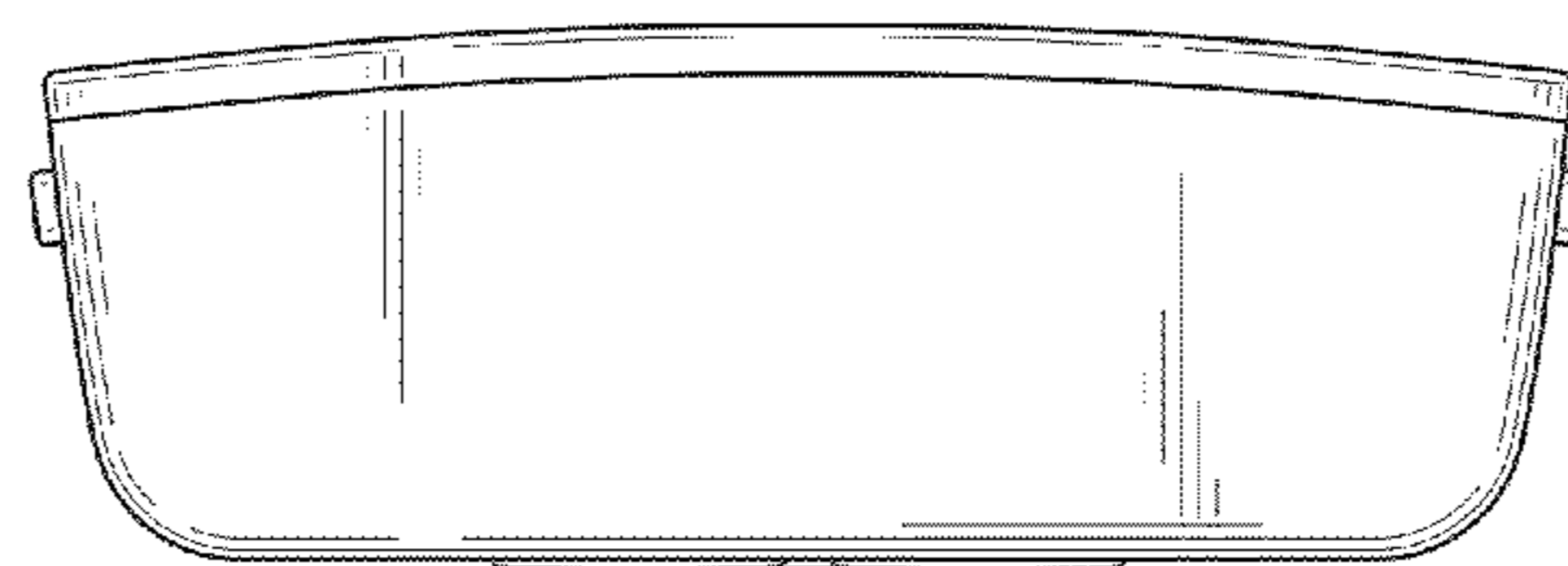


FIG. 14