



US00D670658S

(12) **United States Design Patent**  
**Iliffe-Moon et al.**

(10) **Patent No.:** **US D670,658 S**

(45) **Date of Patent:** **\*\* Nov. 13, 2012**

(54) **FURNITURE REMOTE CONTROL**

(75) Inventors: **Etienne Henri Iliffe-Moon**, Sherman Oaks, CA (US); **Adil Ali**, Agoura Hills, CA (US); **Alexandra Lynn McGill**, Los Angeles, CA (US)

(73) Assignee: **L & P Property Management Company**, South Gate, CA (US)

(\*\*) Term: **14 Years**

(21) Appl. No.: **29/410,206**

(22) Filed: **Jan. 5, 2012**

(51) **LOC (9) Cl.** ..... **14-03**

(52) **U.S. Cl.** ..... **D13/168**

(58) **Field of Classification Search** ..... D13/168;  
D14/218; 5/616, 935; 318/6, 16, 20; 341/176;  
340/4.3, 4.42, 12.22, 12.23, 12.24, 12.29,  
340/12.3, 12.55, 13.2, 13.21, 13.24; 345/156,  
345/169; 455/352; 601/15, 46, 49, 80; 700/17,  
700/65, 83

See application file for complete search history.

(56) **References Cited**

**U.S. PATENT DOCUMENTS**

5,590,831	A *	1/1997	Manson et al.	236/51
5,600,214	A *	2/1997	Fromson	318/120
6,037,723	A *	3/2000	Shafer et al.	318/6
6,106,576	A *	8/2000	Fromson	318/16
D524,254	S *	7/2006	van Himbeeck	D13/168

D611,432	S *	3/2010	Ducret	D13/168
D625,693	S *	10/2010	Charleux	D13/168
D634,715	S *	3/2011	Choi et al.	D13/168
D662,085	S *	6/2012	Yoshikawa et al.	D14/218

\* cited by examiner

*Primary Examiner* — Selina Sikder

(74) *Attorney, Agent, or Firm* — Shook, Hardy & Bacon L.L.P.

(57) **CLAIM**

The ornamental design for a furniture remote control, as shown and described.

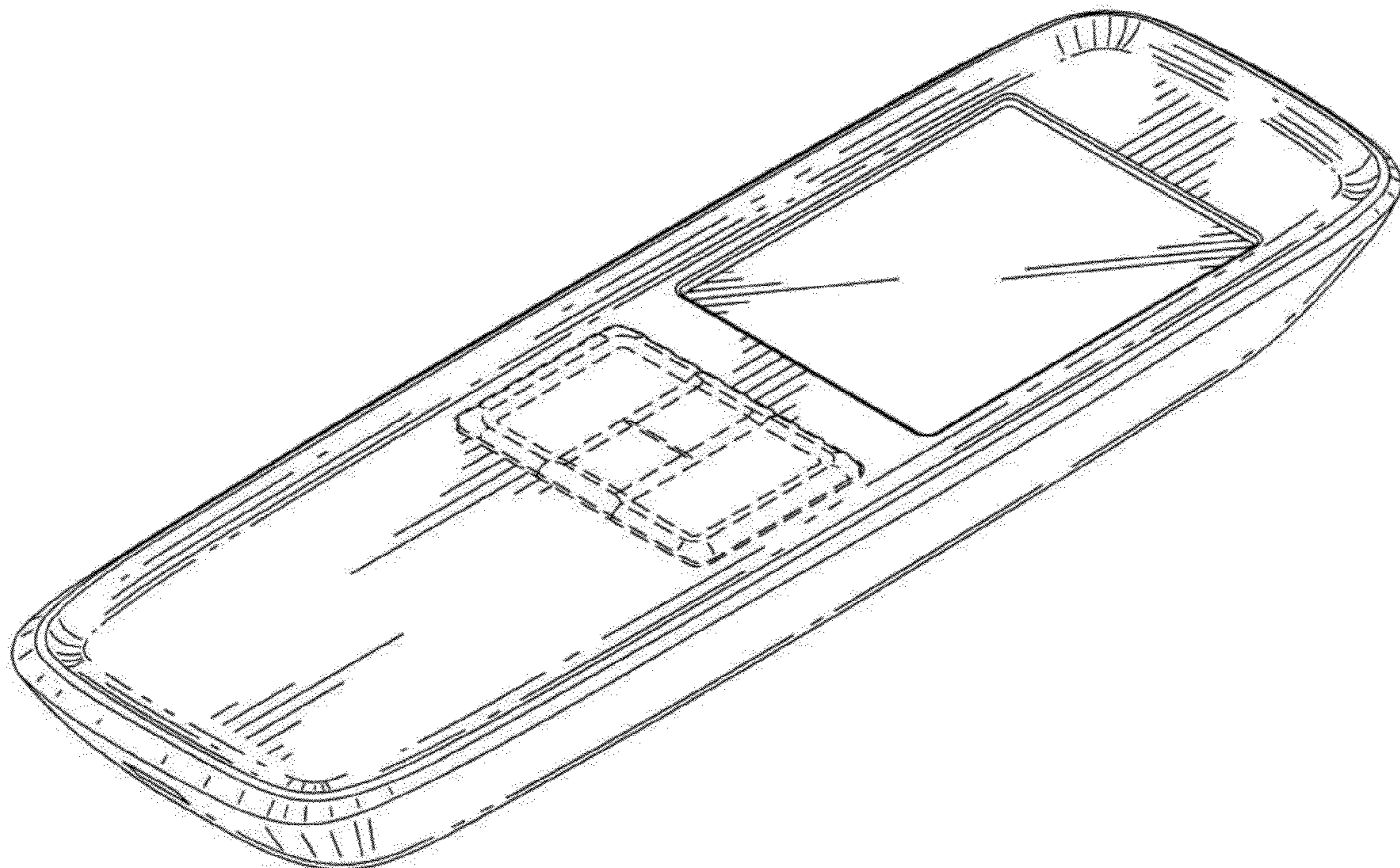
**DESCRIPTION**

FIG. 1 is a perspective view of a furniture remote control of the present invention;  
FIG. 2 is a side elevation view thereof;  
FIG. 3 is a another side elevation view thereof;  
FIG. 4 is a top plan view thereof;  
FIG. 5 is a bottom view thereof; and,  
FIG. 6 is a right side elevation view thereof, the left side being a mirror image thereof.

The surface shading lines on the claimed portion are provided only to indicate the character and/or any contour or curvature of the surfaces. They do not indicate color, texture, markings that actually exist thereon, indicia, graphic representations, surface treatment, or any other ornamentation applied to the article.

The broken line showing of the remote control is for illustrative purposes only and forms no part of the claimed design.

**1 Claim, 2 Drawing Sheets**





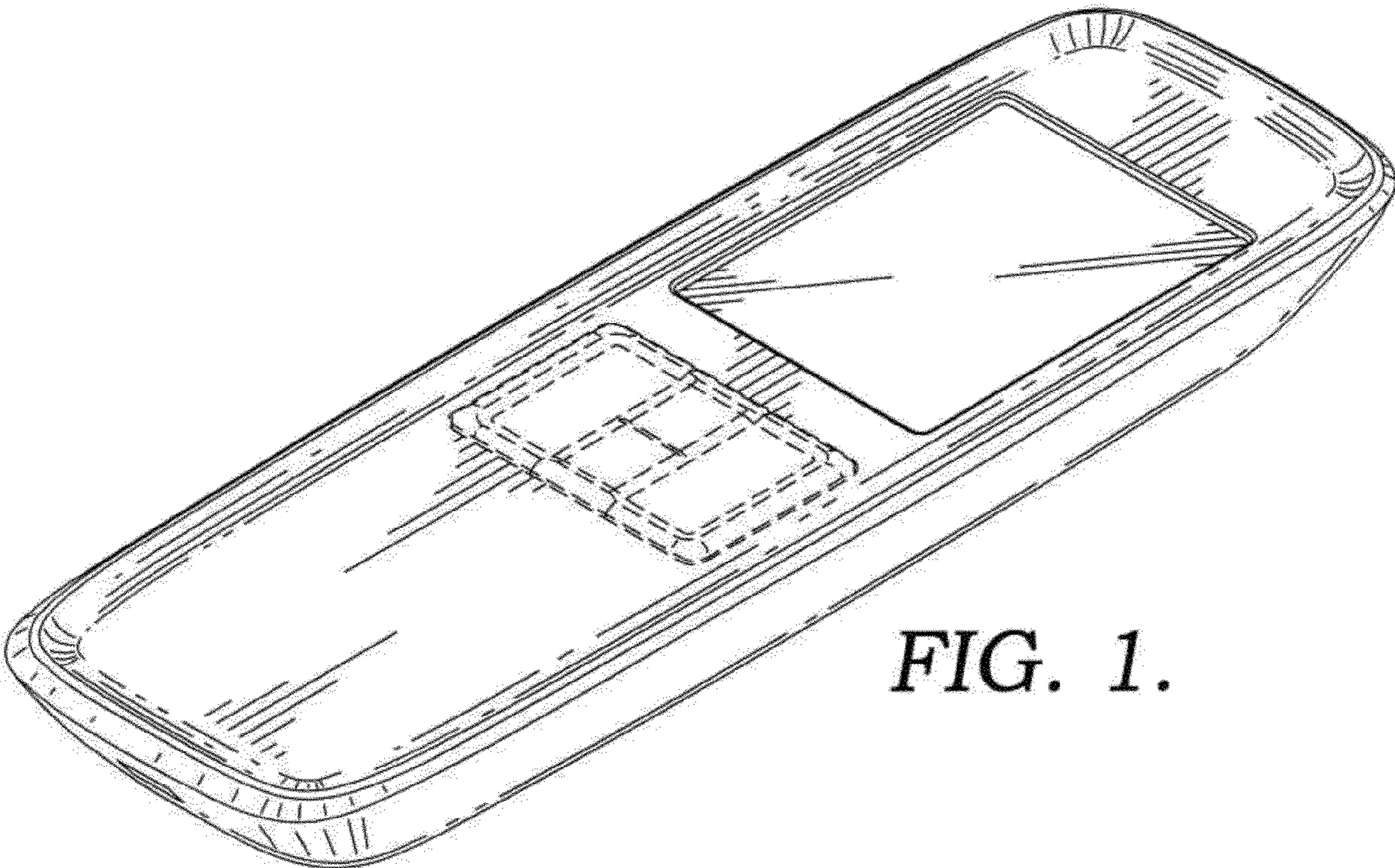


FIG. 1.

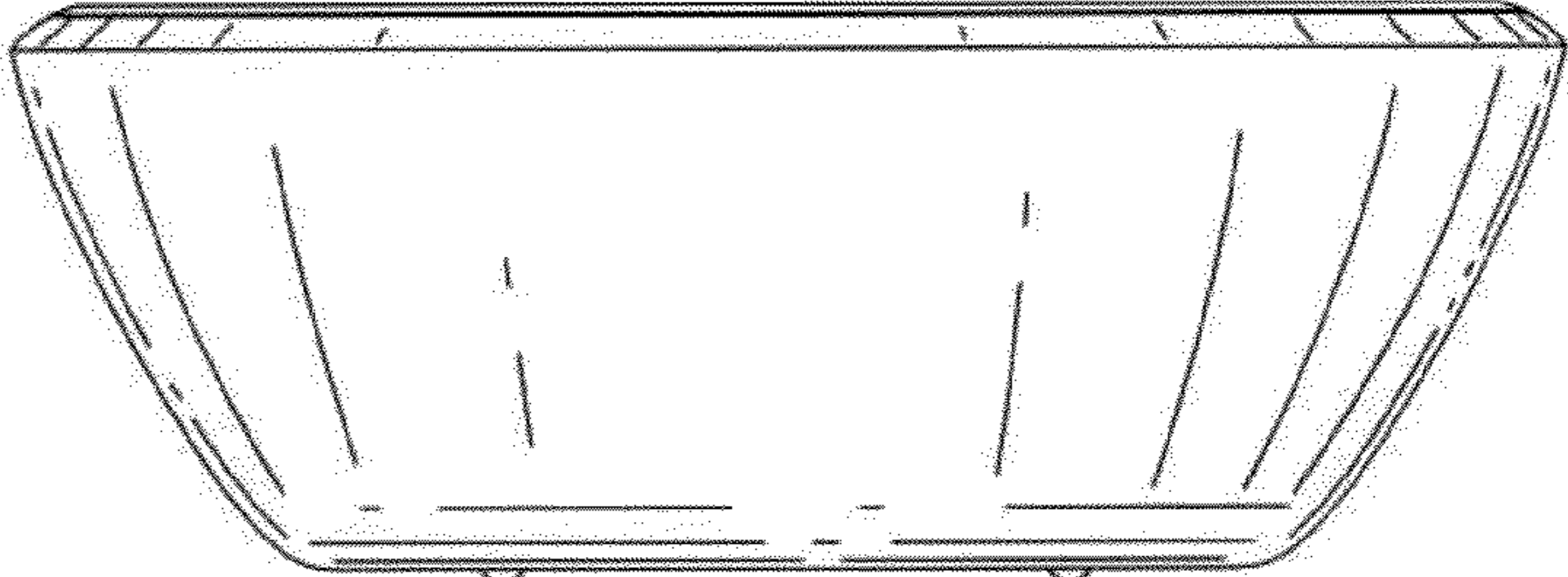


FIG. 2.

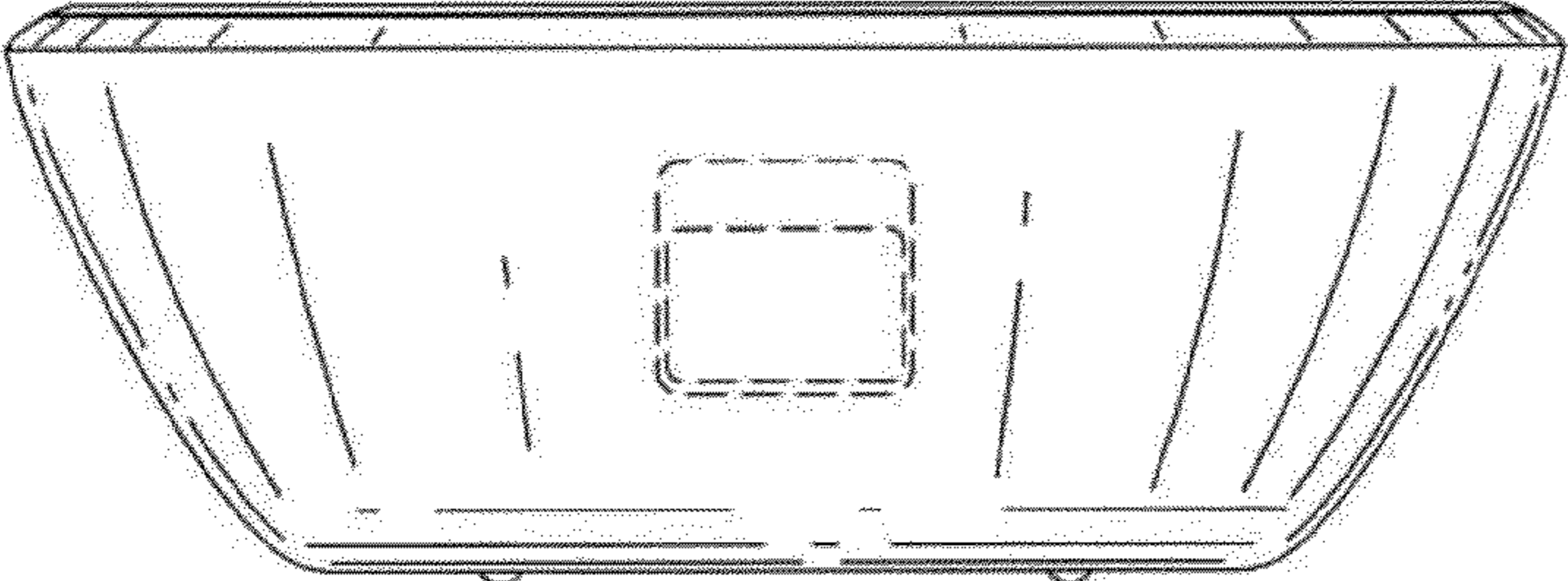
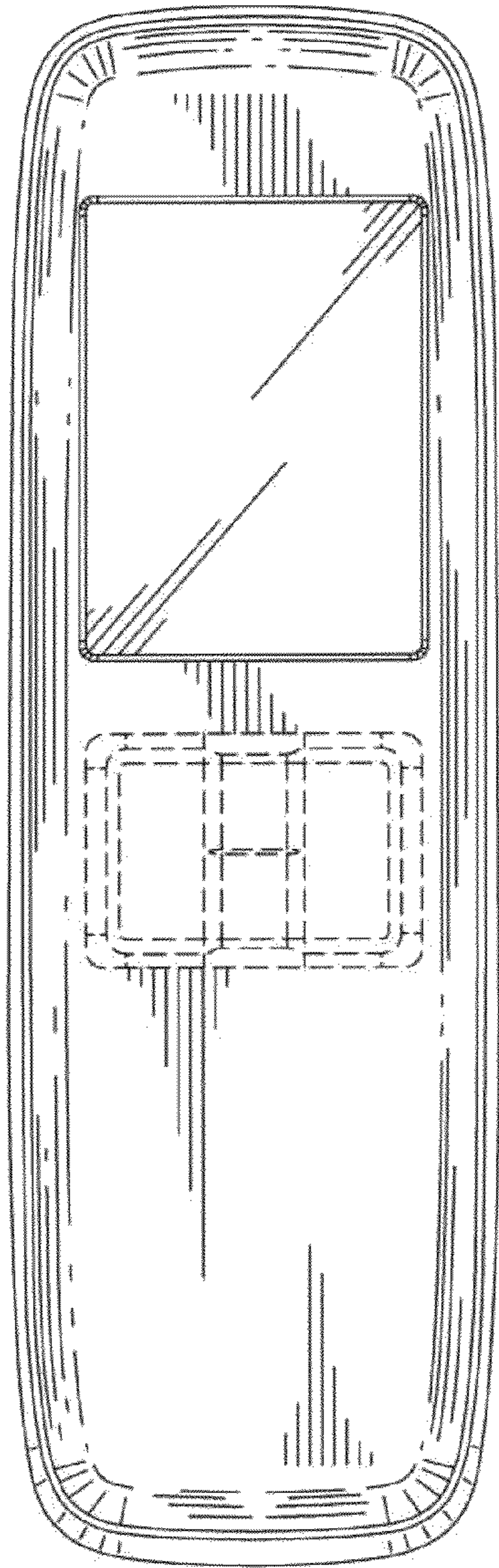
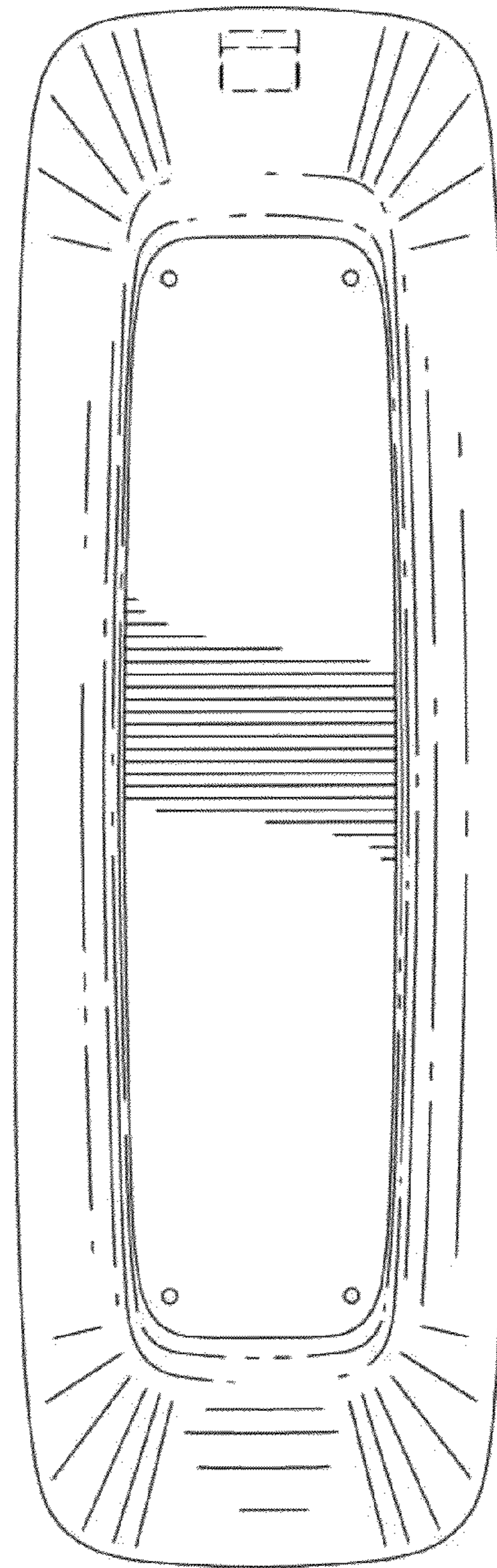


FIG. 3.

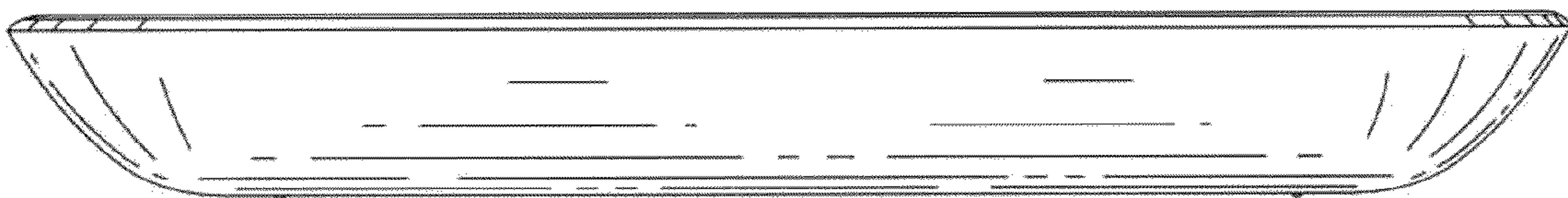




*FIG. 4.*



*FIG. 5.*



*FIG. 6.*