



US00D670657S

(12) **United States Design Patent**
Sabani et al.

(10) **Patent No.:** **US D670,657 S**

(45) **Date of Patent:** **** Nov. 13, 2012**

(54) **SWITCH GEAR HOUSING**

(75) Inventors: **Arben Sabani**, Niederglatt (CH); **Diego Sologuren-Sanchez**, Wettingen (CH); **Roland Wuergler**, Dietlikon (CH); **Tilo Bolli**, Merligen (CH)

(73) Assignee: **ABB Technology AG**, Zurich (CH)

(**) Term: **14 Years**

(21) Appl. No.: **29/383,122**

(22) Filed: **Jan. 12, 2011**

(30) **Foreign Application Priority Data**

Jul. 12, 2010 (CH) 137086

(51) **LOC (9) Cl.** **13-03**

(52) **U.S. Cl.** **D13/158**

(58) **Field of Classification Search** D13/120,
D13/158, 160, 184, 199; 218/118, 119, 7,
218/77, 78, 79, 2, 102; 251/172; 361/605,
361/612

See application file for complete search history.

(56) **References Cited**

U.S. PATENT DOCUMENTS

4,379,957	A *	4/1983	Calvino	218/2
4,862,319	A *	8/1989	Suzuyama et al.	361/612
D321,508	S *	11/1991	Ramos	D13/160
5,350,892	A *	9/1994	Rozier	218/119
6,573,469	B1 *	6/2003	Piazza	218/7
6,624,372	B1 *	9/2003	Ogawa et al.	218/71
6,683,267	B1 *	1/2004	Piazza et al.	218/2
6,784,392	B1 *	8/2004	Piazza et al.	218/7
D531,133	S *	10/2006	McCord et al.	D13/158
D562,254	S *	2/2008	Otsuka et al.	D13/158

D562,255	S *	2/2008	Osumi et al.	D13/158
D562,256	S *	2/2008	Osumi et al.	D13/158
D562,776	S *	2/2008	Osumi et al.	D13/158
D658,589	S *	5/2012	Shang et al.	D13/158
D660,253	S *	5/2012	Gentsch	D13/158
2006/0283841	A1 *	12/2006	Sologuren-Sanchez	218/79
			et al.	361/624
2012/0120560	A1 *	5/2012	Zwicky et al.	361/624

FOREIGN PATENT DOCUMENTS

EM	001207658-004	5/2010
EP	2010/050514	1/2010
EP	2010/050518	1/2010
WO	2010/133692 A1	11/2010

* cited by examiner

Primary Examiner — Thomas Johannes

(74) *Attorney, Agent, or Firm* — McCracken & Frank LLC

(57) **CLAIM**

The ornamental design for a switch gear housing, as shown and described herein.

DESCRIPTION

FIG. 1 is an isometric view of the back, left side and top of a switch gear housing of the present invention;

FIG. 2 is an isometric view of the front, left side and top thereof;

FIG. 3 is a front elevational view thereof;

FIG. 4 is a rear elevational view thereof;

FIG. 5 is an elevational view of right side thereof;

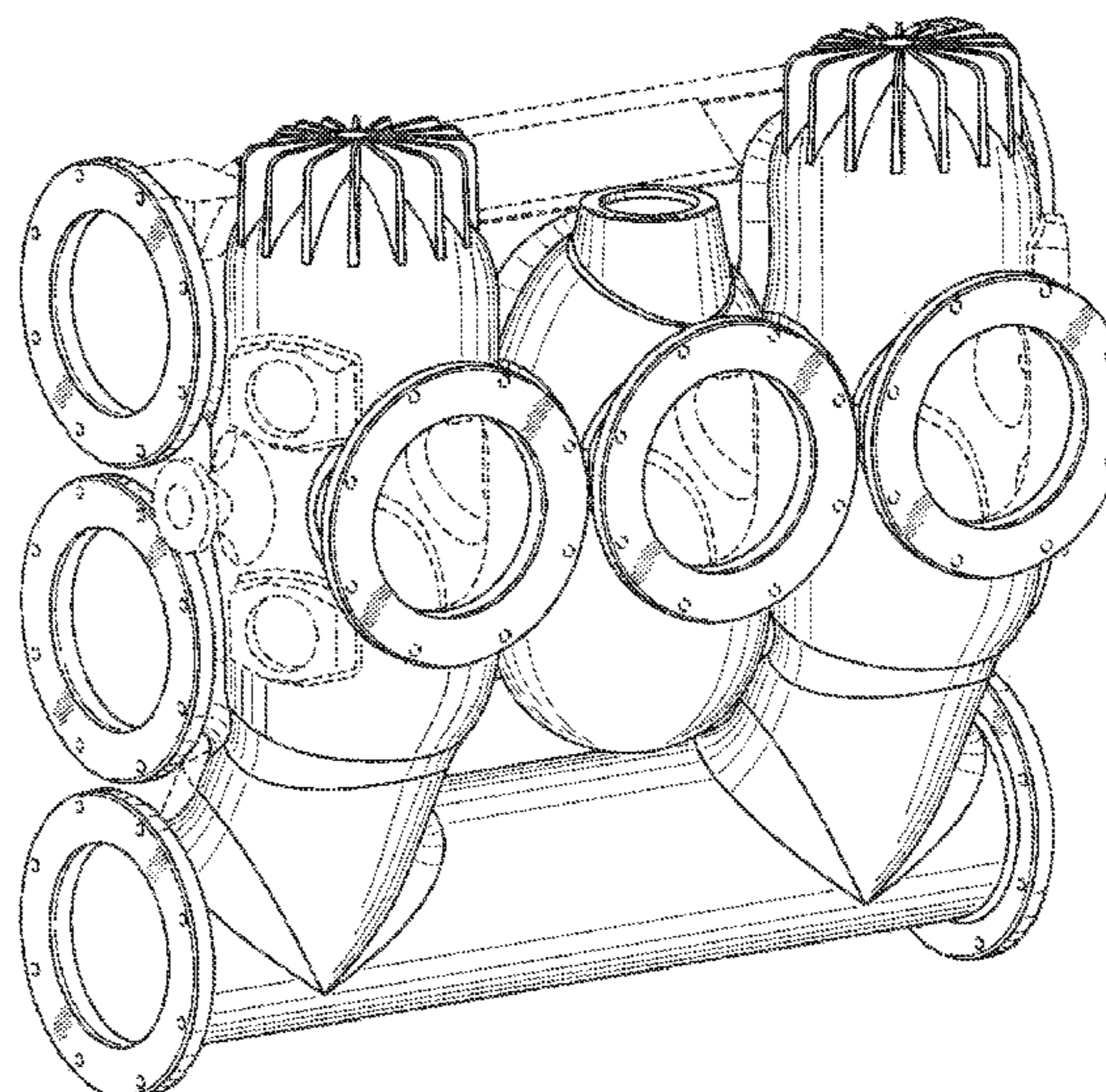
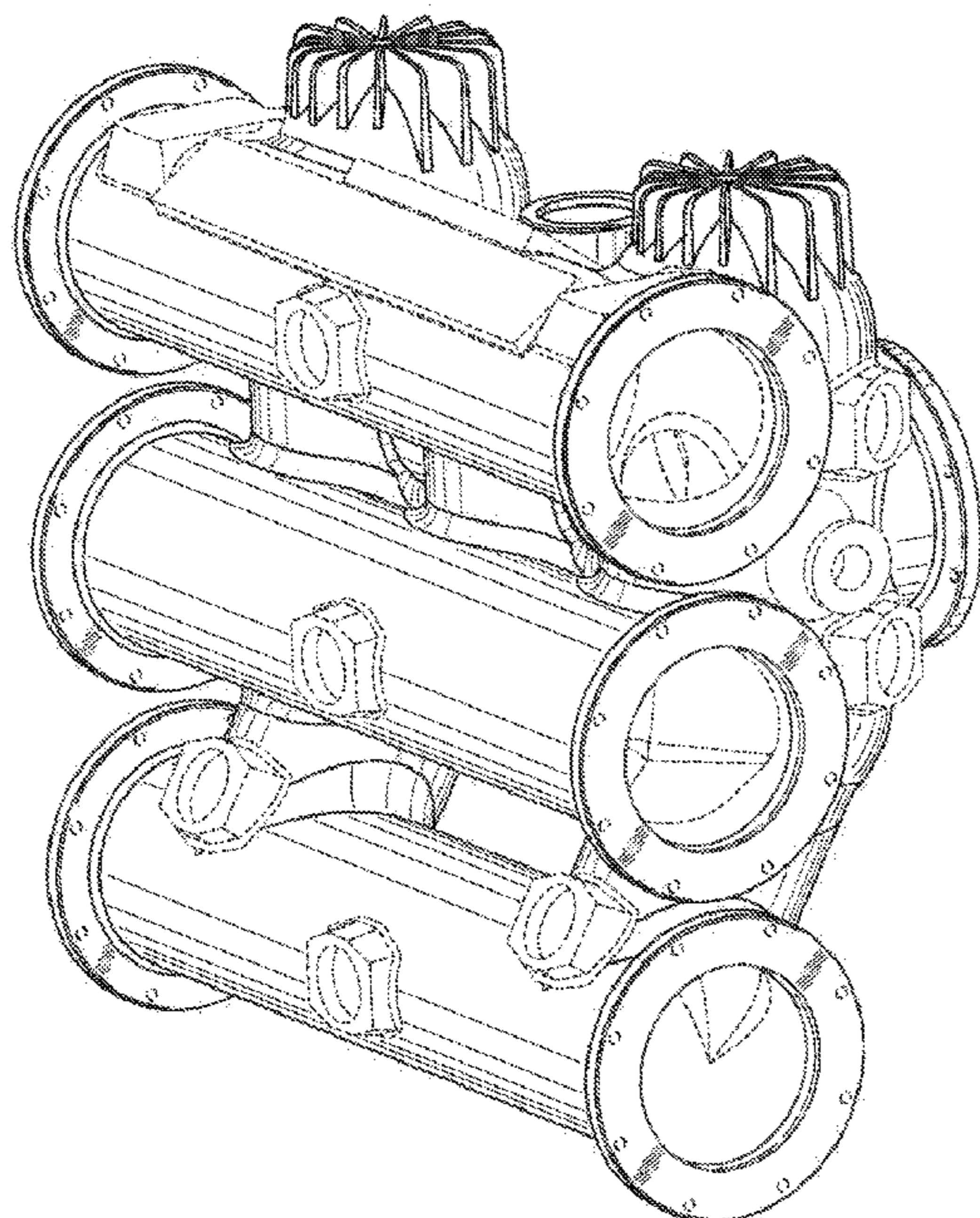
FIG. 6 is an elevational view of left side thereof;

FIG. 7 is a top elevational view thereof; and,

FIG. 8 is a bottom elevational view thereof.

The subject matter shown in the figures above in dashed lines, including the location and number of bolt holes in the flanges, forms no part of the claimed invention.

1 Claim, 8 Drawing Sheets



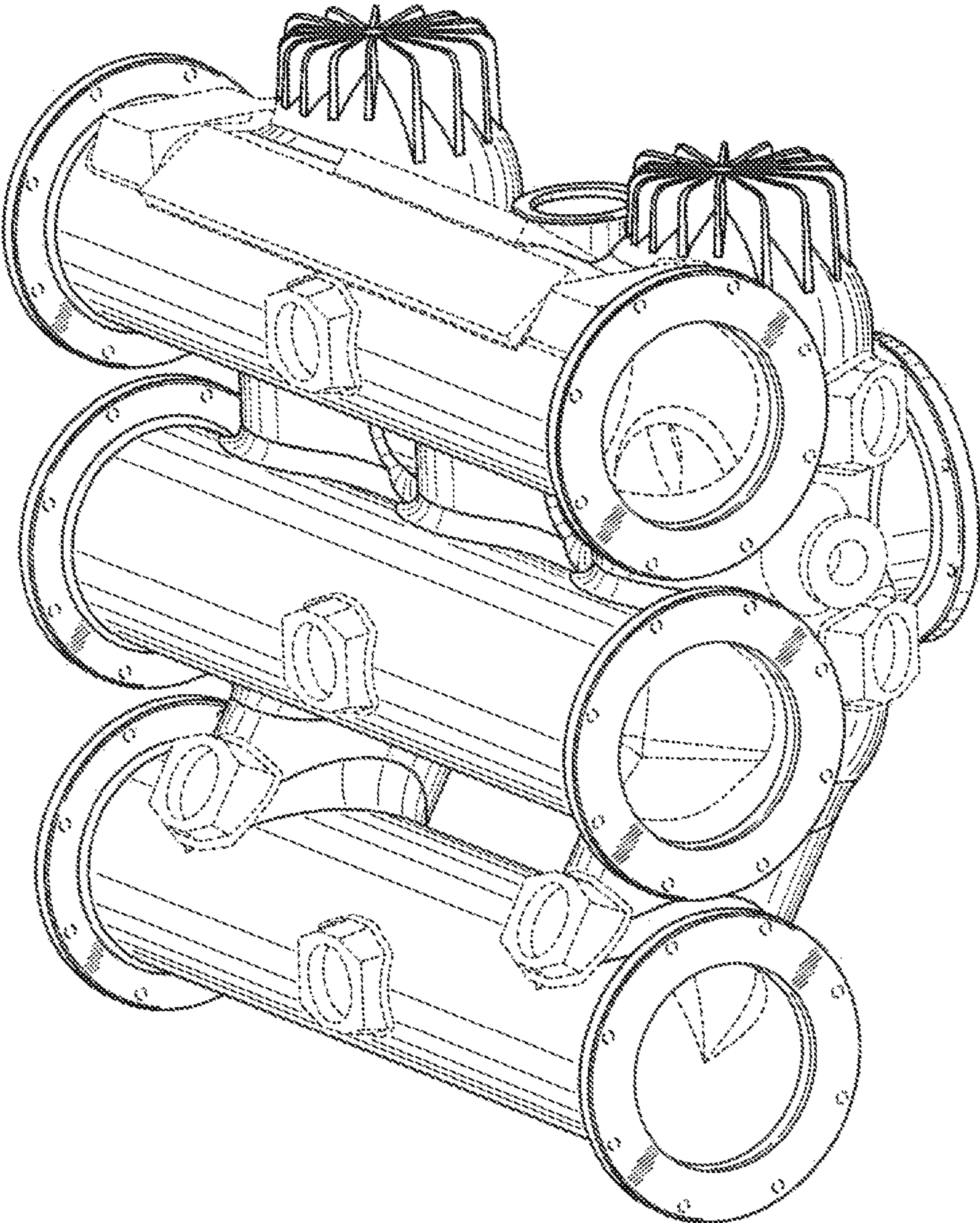


Fig. 1

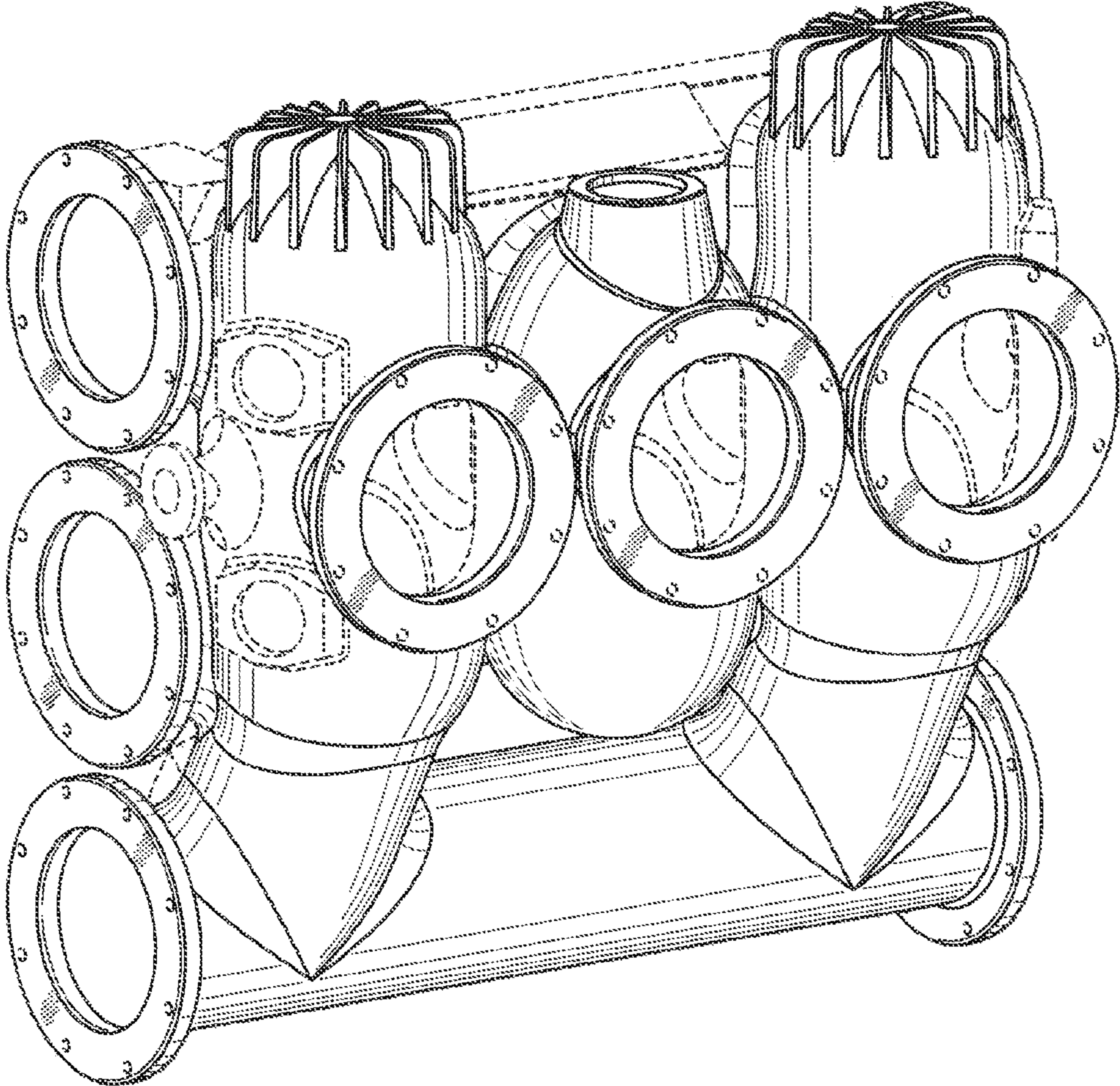


Fig. 2

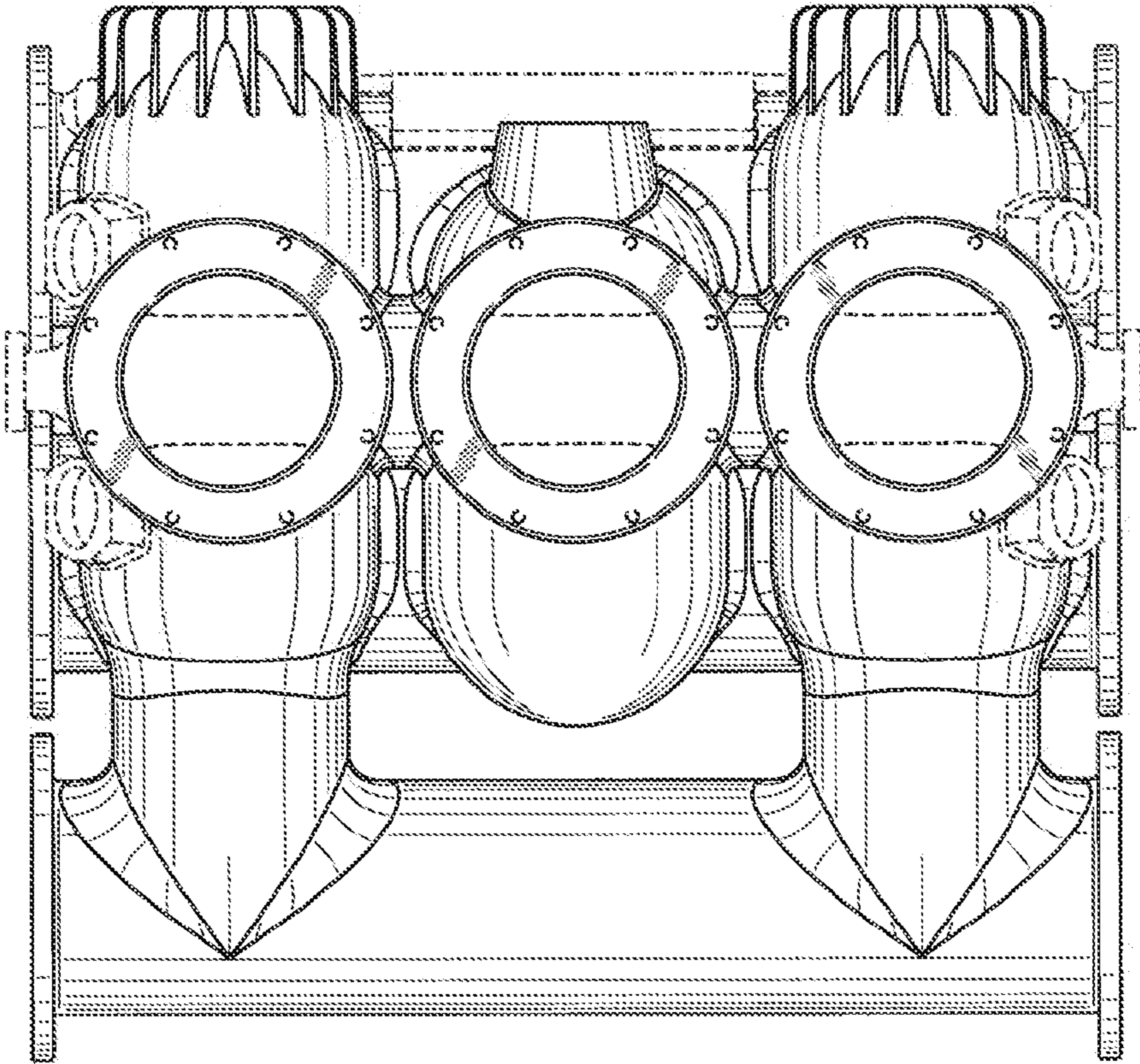


Fig. 3

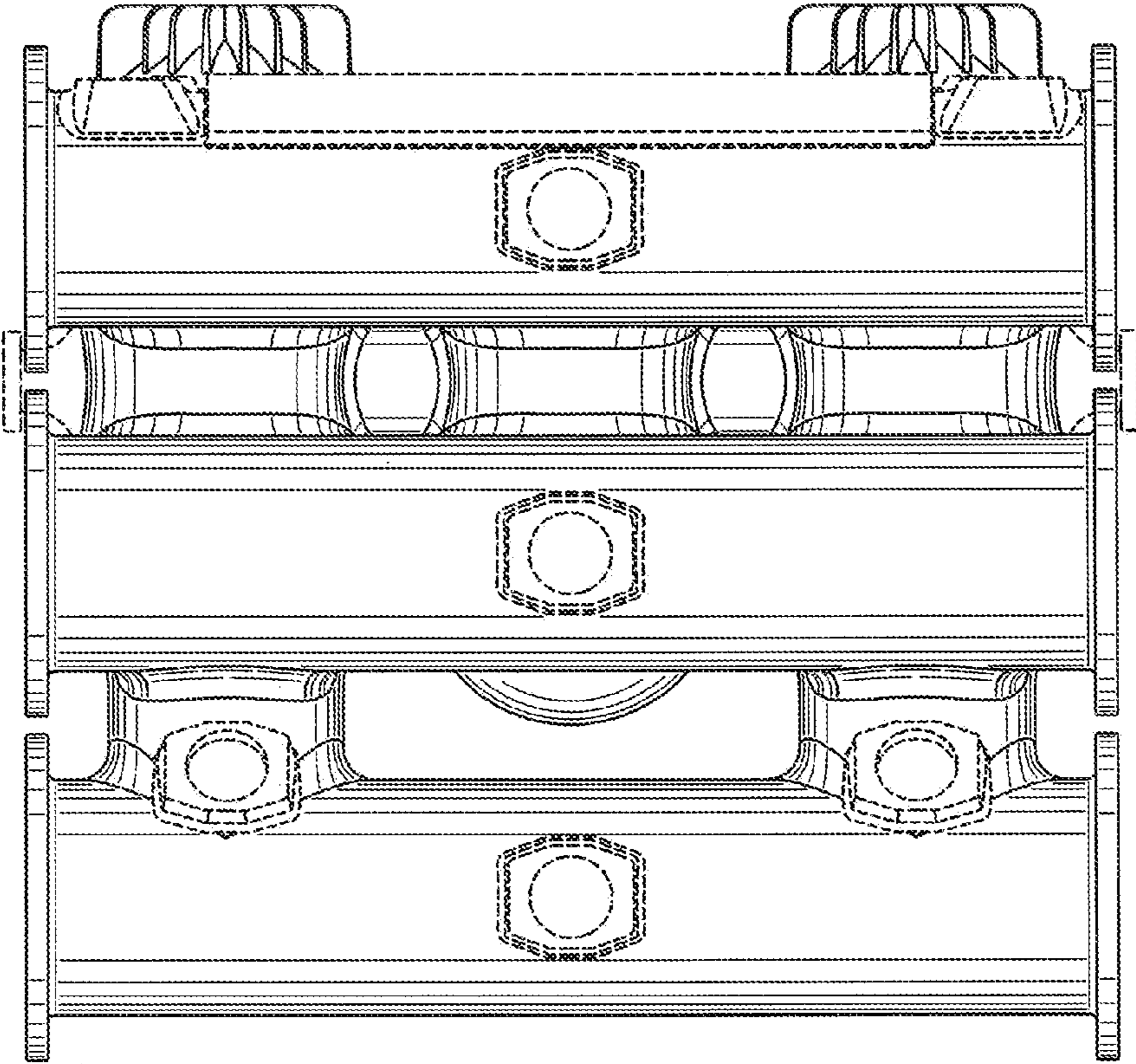


Fig. 4

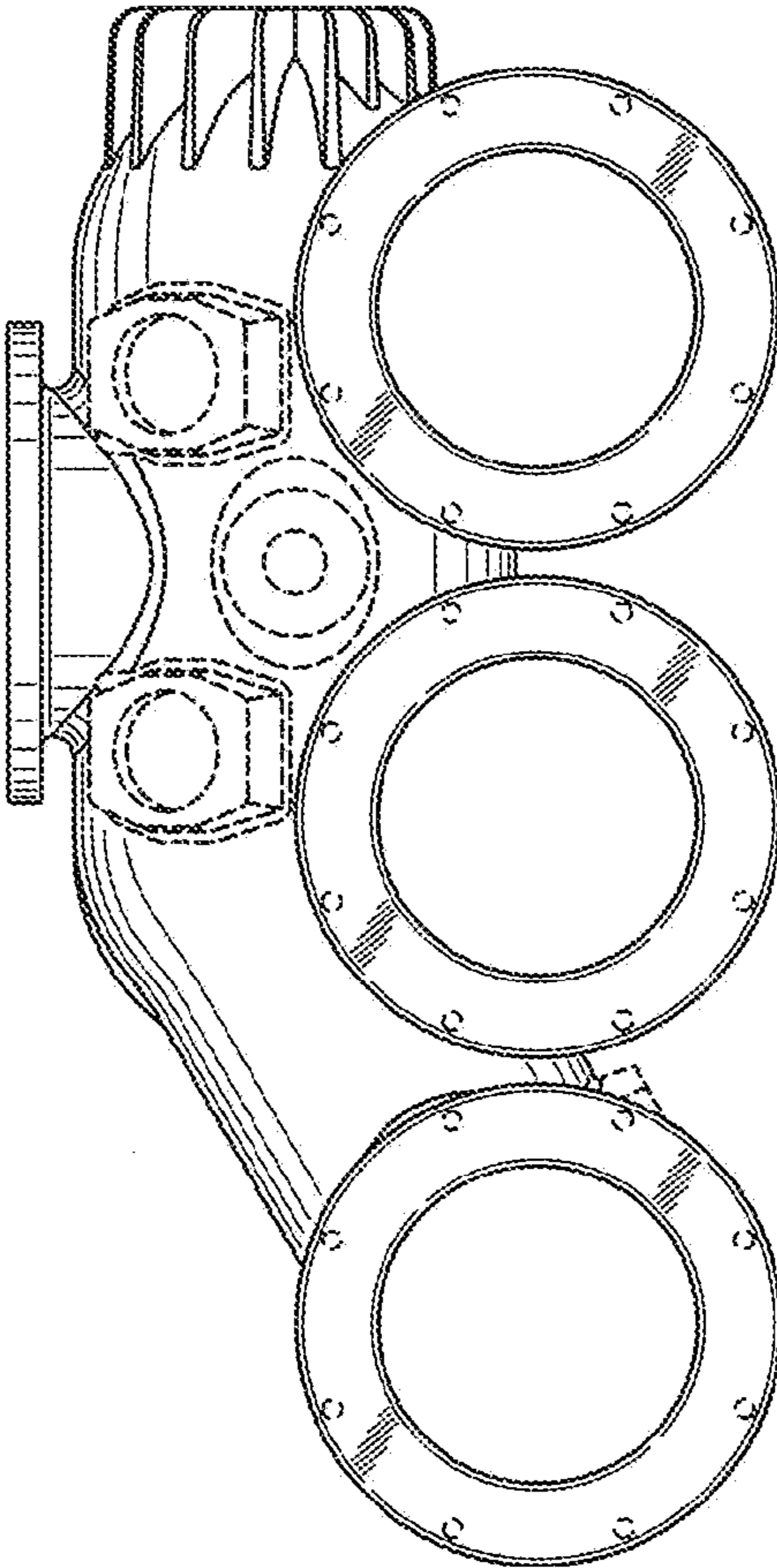


Fig. 5

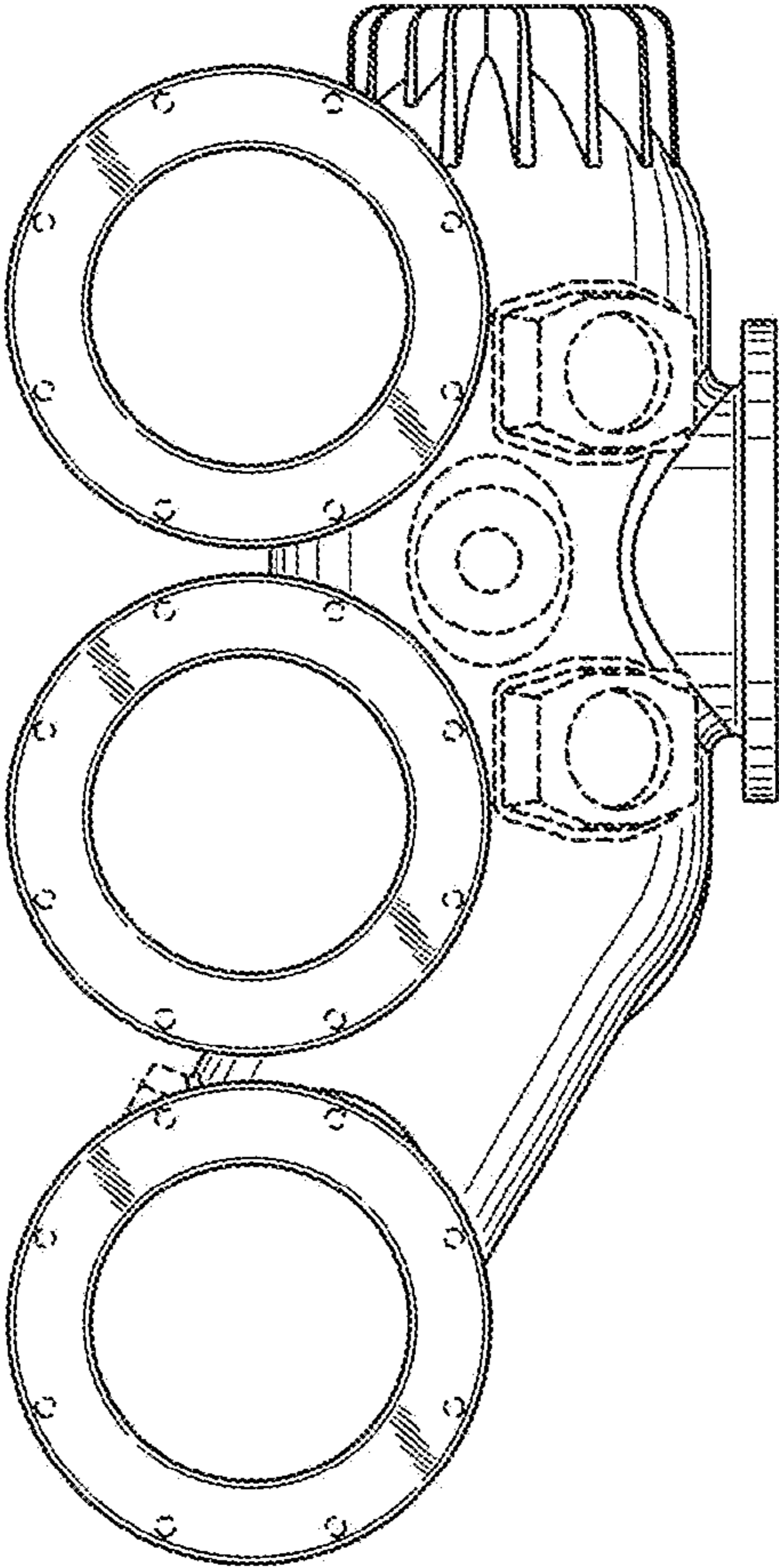


Fig. 6

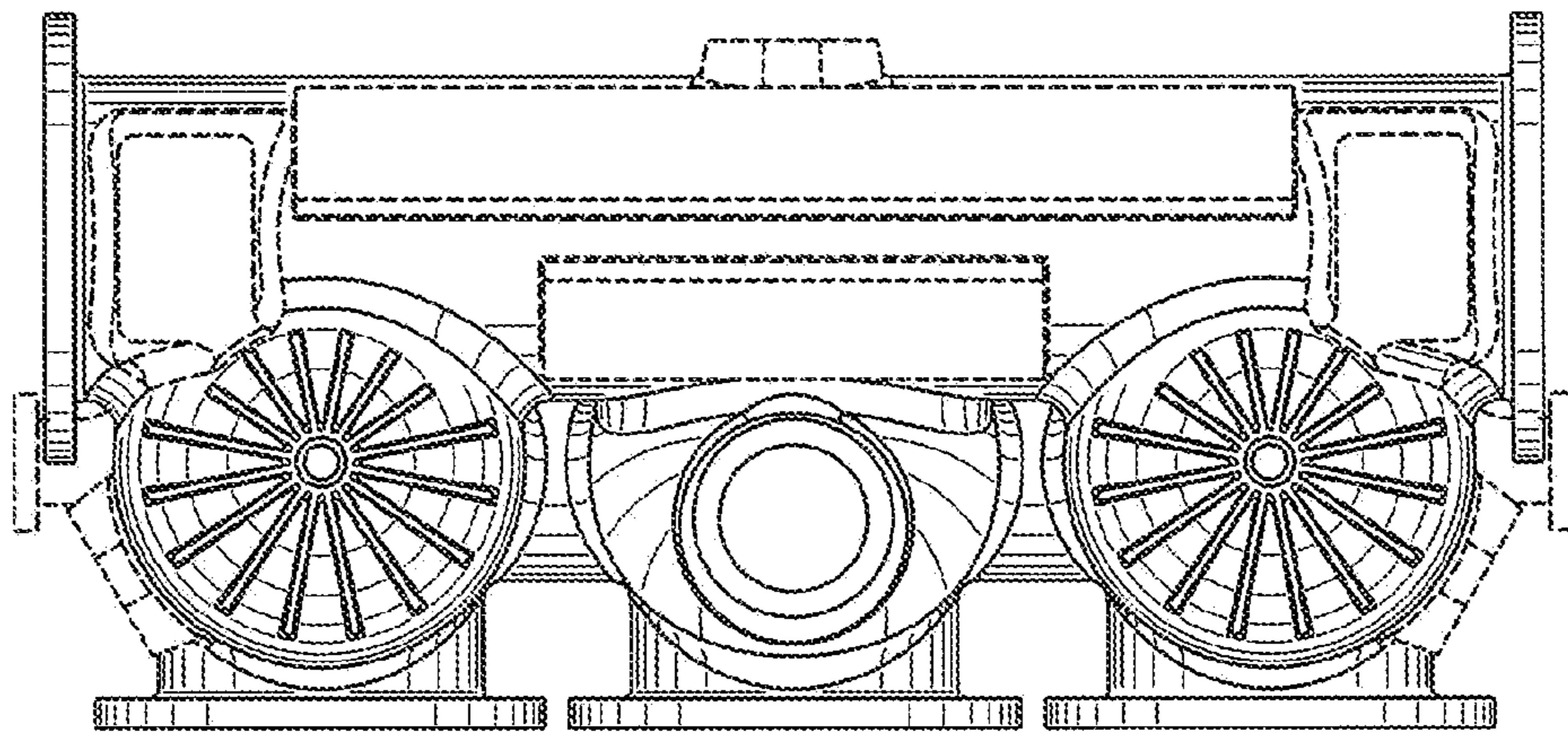


Fig. 7

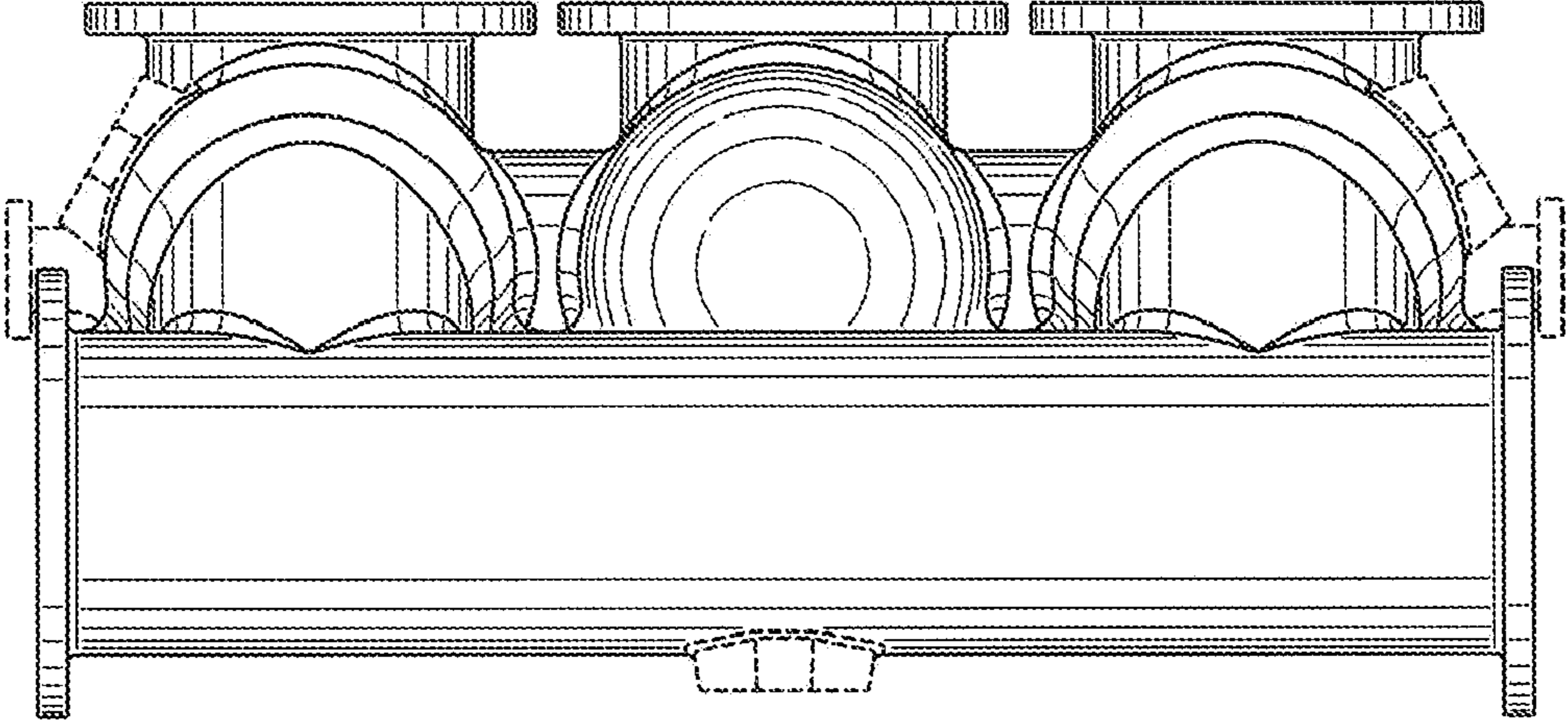


Fig. 8