



US00D670656S

(12) **United States Design Patent**
Jepsen et al.

(10) **Patent No.:** **US D670,656 S**

(45) **Date of Patent:** **** Nov. 13, 2012**

(54) **ELECTRICAL CONNECTOR**

(75) Inventors: **Dave Jepsen**, Kennewick, WA (US);
Arlee Swensen, Richland, WA (US)

(73) Assignee: **Cadwell Labs**, Kennewick, WA (US)

(**) Term: **14 Years**

(21) Appl. No.: **29/378,861**

(22) Filed: **Nov. 10, 2010**

(51) **LOC (9) Cl.** **13-03**

(52) **U.S. Cl.** **D13/154**

(58) **Field of Classification Search** D13/133,
D13/147, 154, 184, 199; 439/246–248, 252,
439/476.1, 527, 540.1, 569, 865–866, 886–887,
439/889–892, 894

See application file for complete search history.

(56) **References Cited**

U.S. PATENT DOCUMENTS

D109,293 S * 4/1938 Cawthra D13/146
D378,290 S * 3/1997 Hahn D13/138.2
5,662,500 A * 9/1997 Yeah 439/732
6,303,861 B1 * 10/2001 Dobrinski et al. 174/5 SG

D616,831 S * 6/2010 Arenas et al. D13/154
7,766,693 B2 * 8/2010 Sartor et al. 439/489
D627,056 S * 11/2010 Quensel D24/107

* cited by examiner

Primary Examiner — Daniel Bui

(74) *Attorney, Agent, or Firm* — Goucher Patent Law,
PLLC; Tyler R. Goucher

(57) **CLAIM**

The ornamental design for an electrical connector, as shown
and described.

DESCRIPTION

FIG. 1 is a first end elevation view of an electrical connector
showing our new design;

FIG. 2 is a bottom plan view thereof;

FIG. 3 is a second end elevation view thereof;

FIG. 4 is a top plan view thereof;

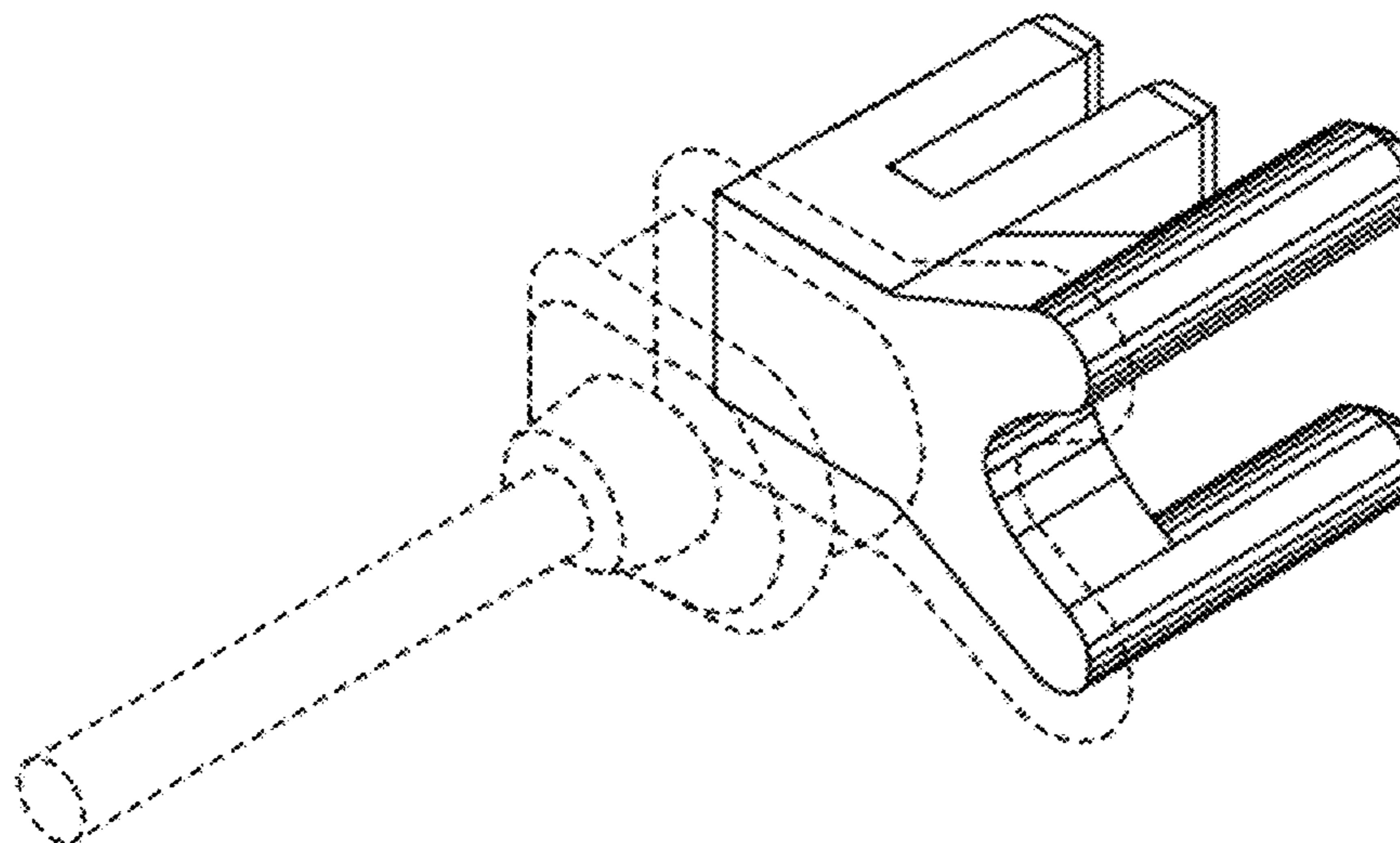
FIG. 5 is a top, right and second end perspective view thereof;

FIG. 6 is a left side elevation view thereof; and,

FIG. 7 is a right side elevation view thereof.

The broken lines are directed to environment and are for
illustrative purposes only, the broken lines form no part of the
claimed design.

1 Claim, 7 Drawing Sheets



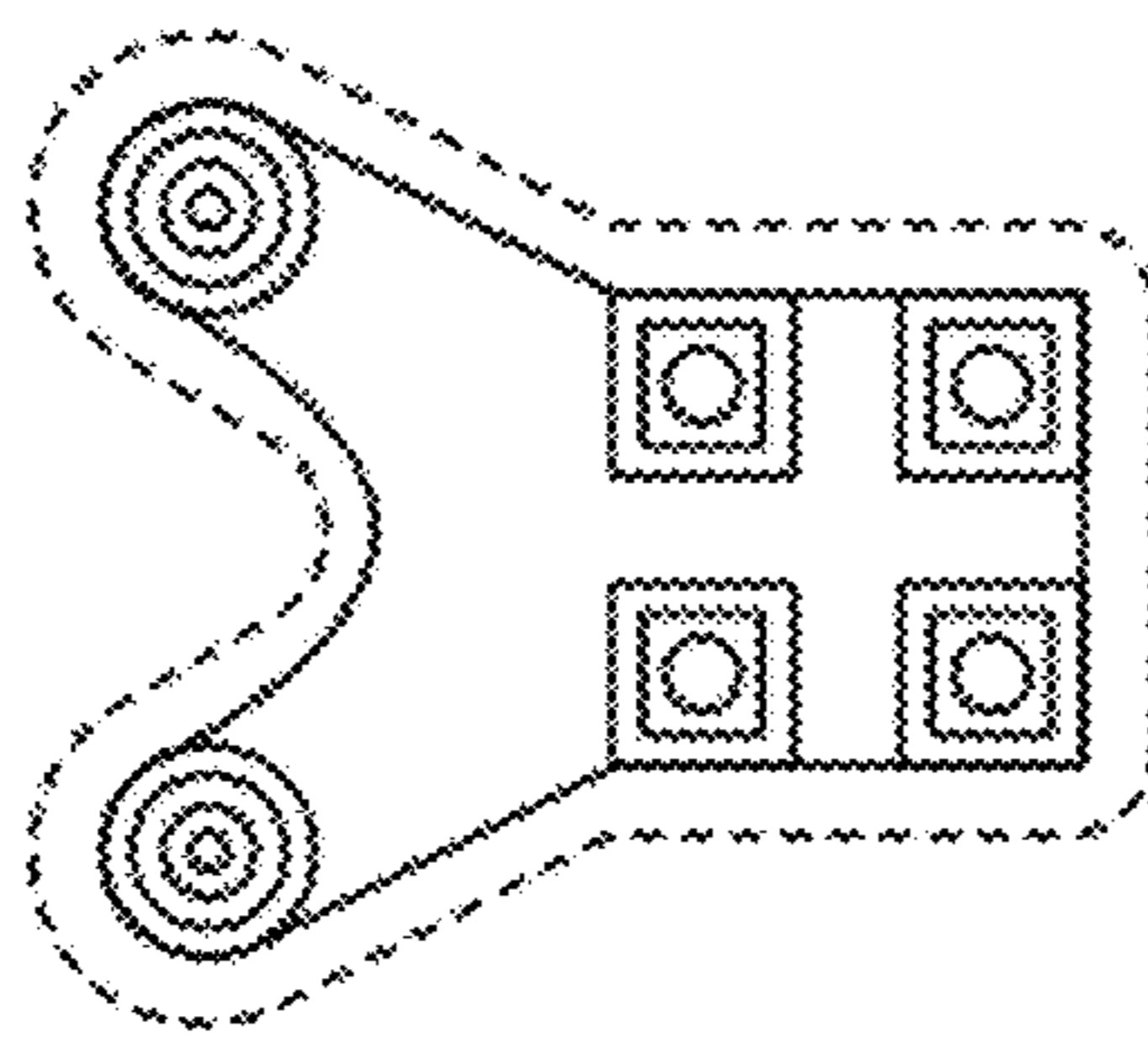


FIG. 1

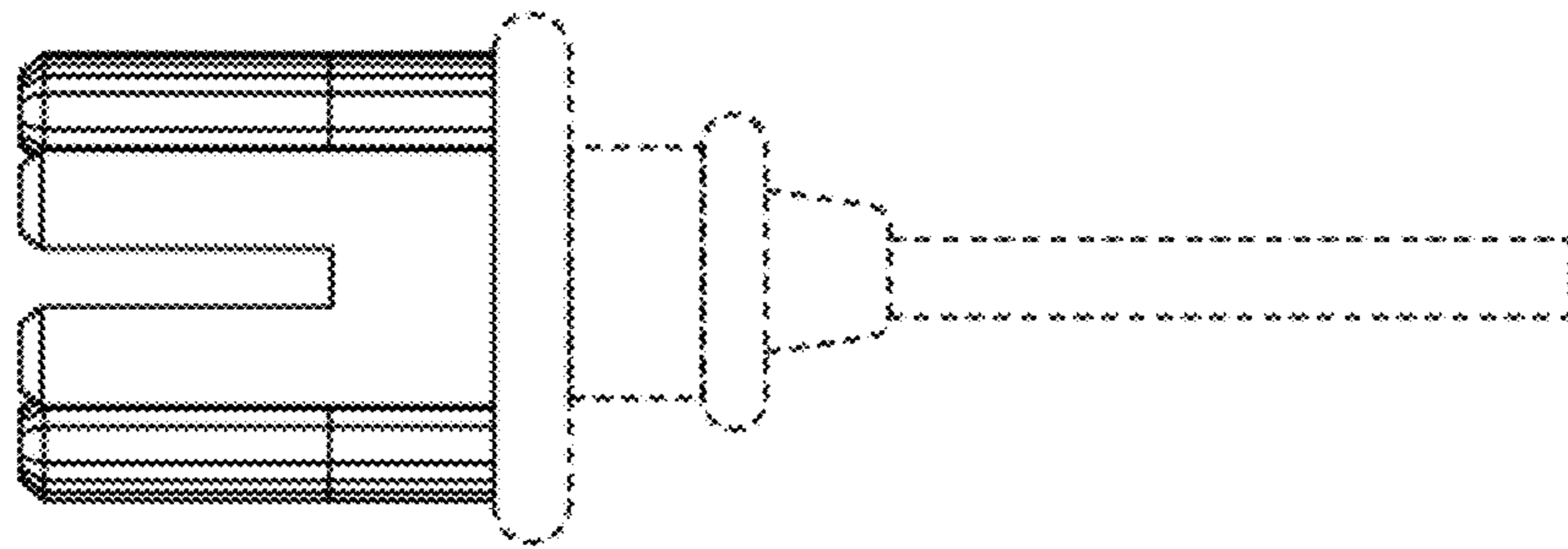


FIG. 2

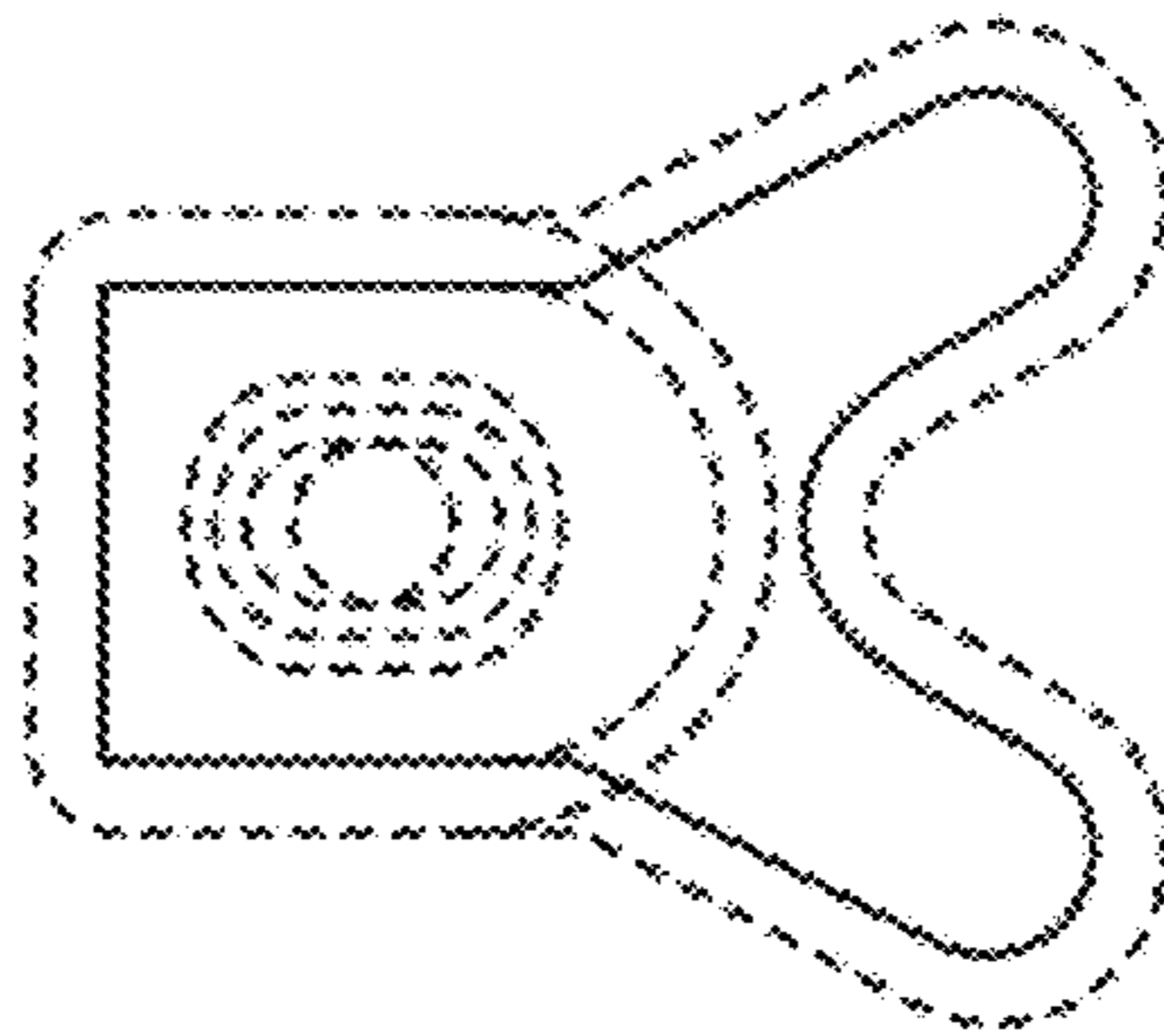


FIG. 3

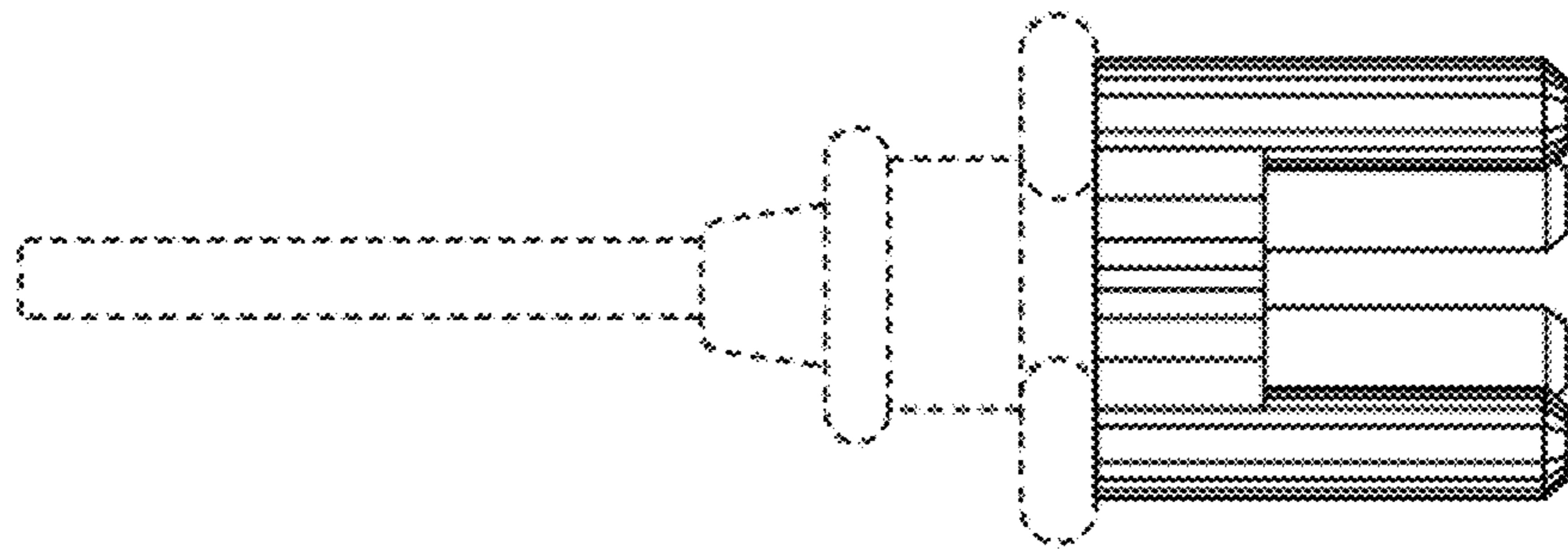


FIG. 4

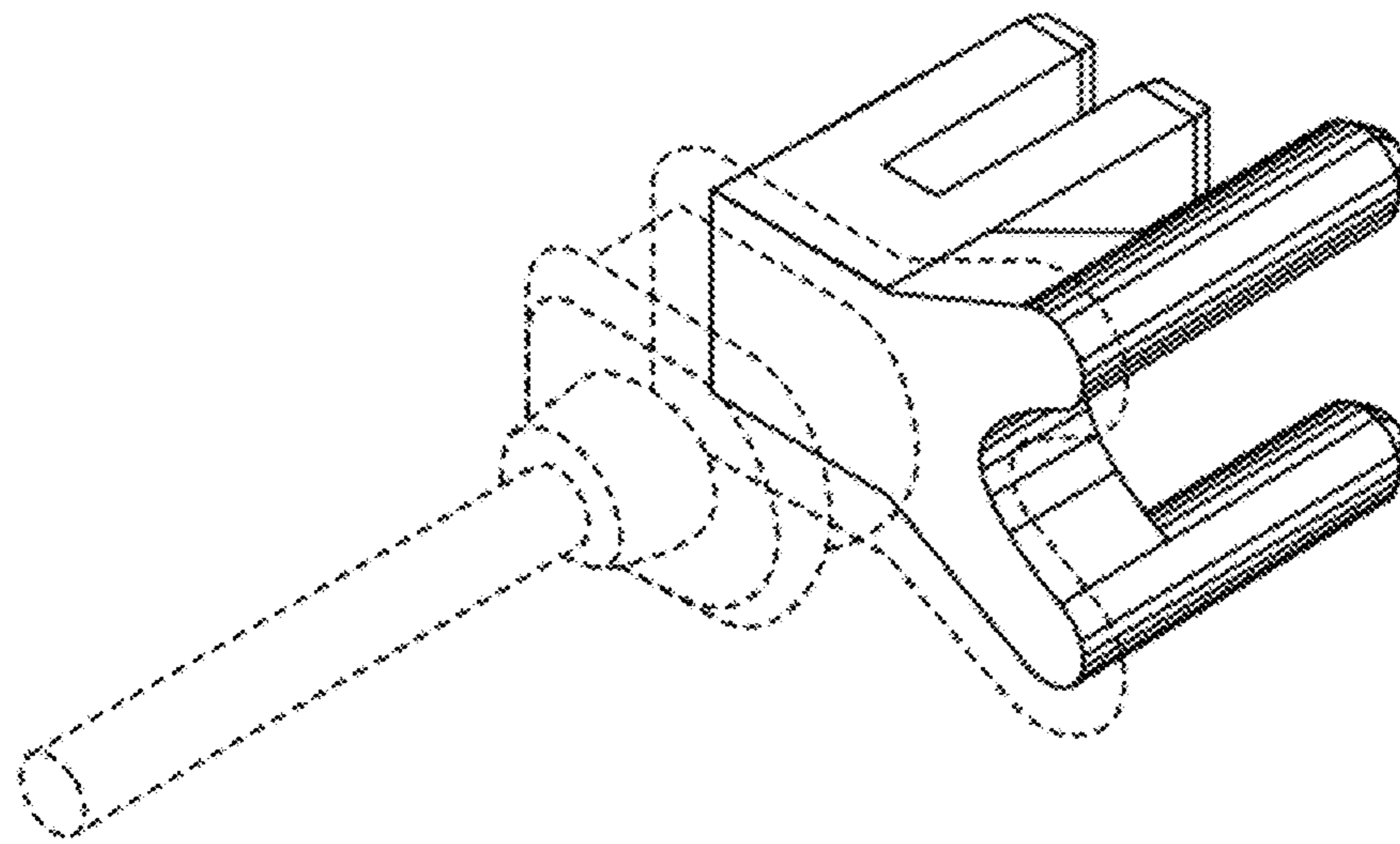


FIG. 5

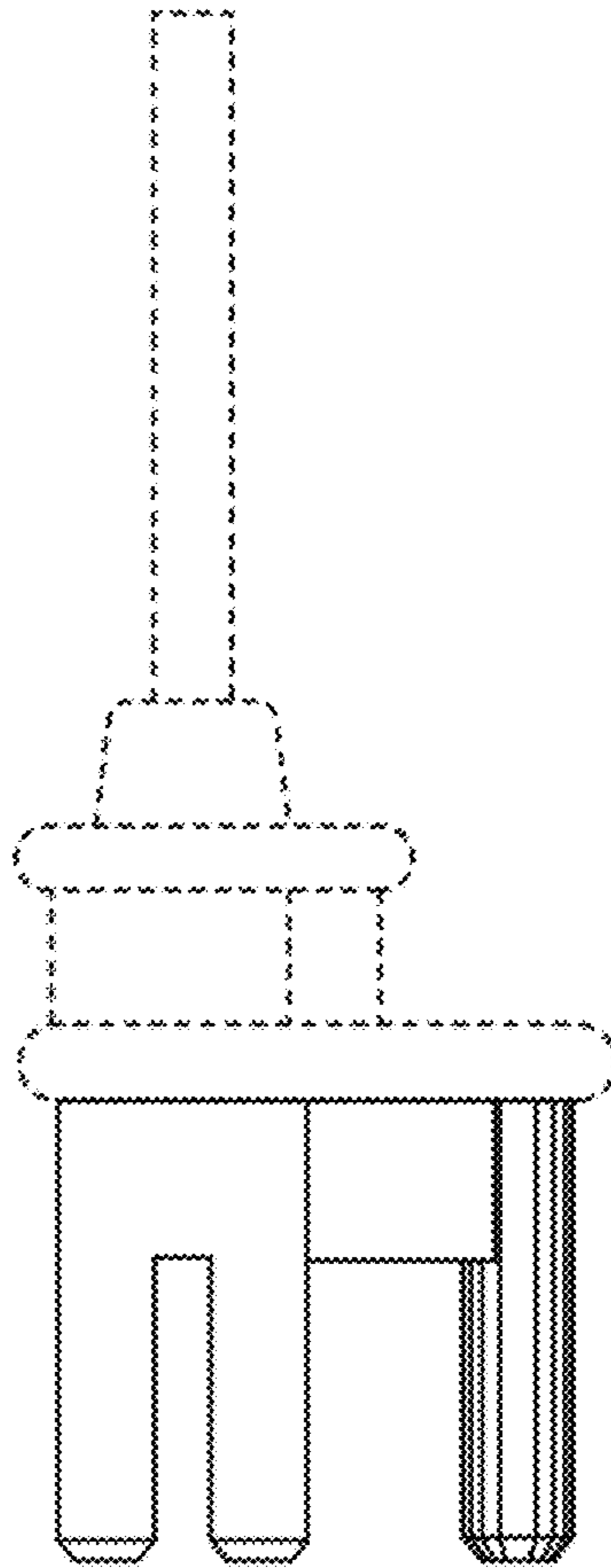


FIG. 6

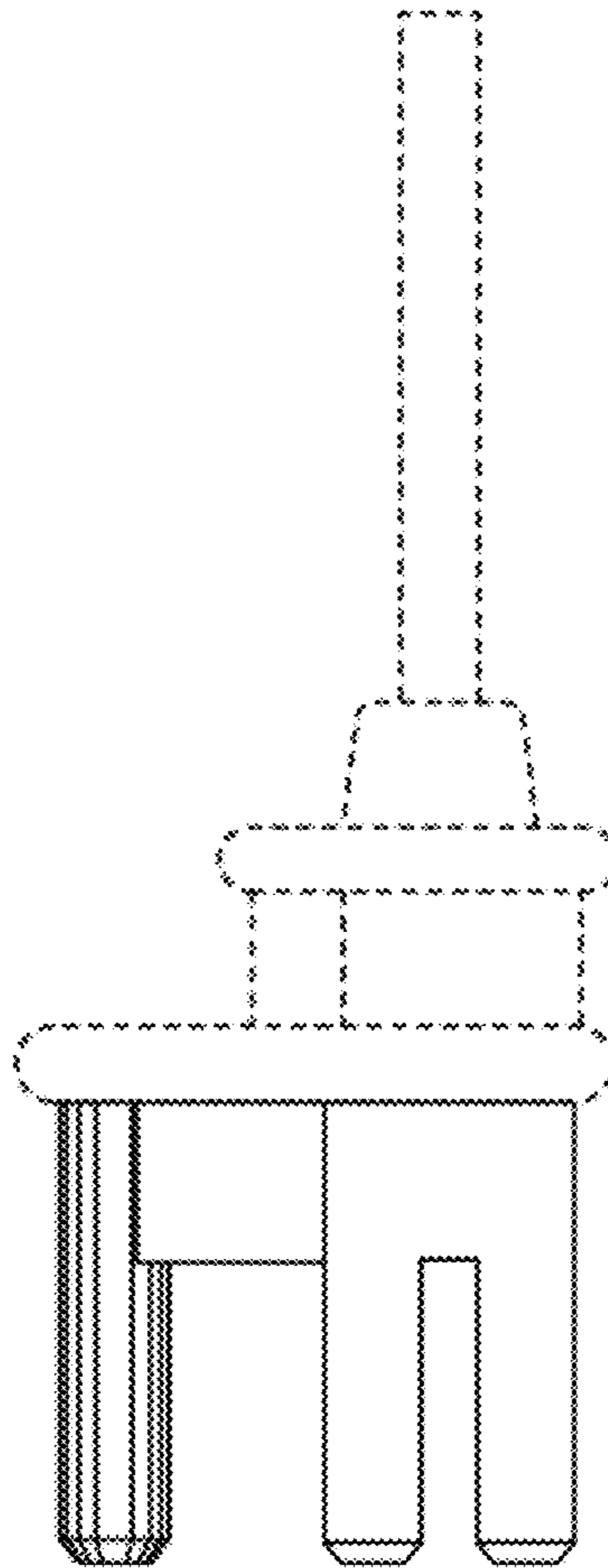


FIG. 7