



US00D670655S

(12) **United States Design Patent**
Lee

(10) **Patent No.:** **US D670,655 S**

(45) **Date of Patent:** **** Nov. 13, 2012**

(54) **CABLE CONNECTOR**

(76) Inventor: **Chun-Te Lee**, Taichung (TW)

(**) Term: **14 Years**

(21) Appl. No.: **29/402,267**

(22) Filed: **Sep. 22, 2011**

(51) **LOC (9) Cl.** **13-03**

(52) **U.S. Cl.** **D13/151**

(58) **Field of Classification Search** D13/151,
D13/133, 149, 150, 154, 156, 184, 199; D8/382,
D8/387; 439/63, 74, 79, 108, 271, 275, 284,
439/289, 578, 581, 583

See application file for complete search history.

(56) **References Cited**

U.S. PATENT DOCUMENTS

6,106,304 A * 8/2000 Huang 439/63
D469,742 S * 2/2003 Michon et al. D13/151

D470,113 S * 2/2003 Brower et al. D13/154
D556,693 S * 12/2007 Montena D13/151
D581,877 S * 12/2008 Kiely D13/151

* cited by examiner

Primary Examiner — Derrick Holland

(74) *Attorney, Agent, or Firm* — Ming Chow; Sinorica, LLC

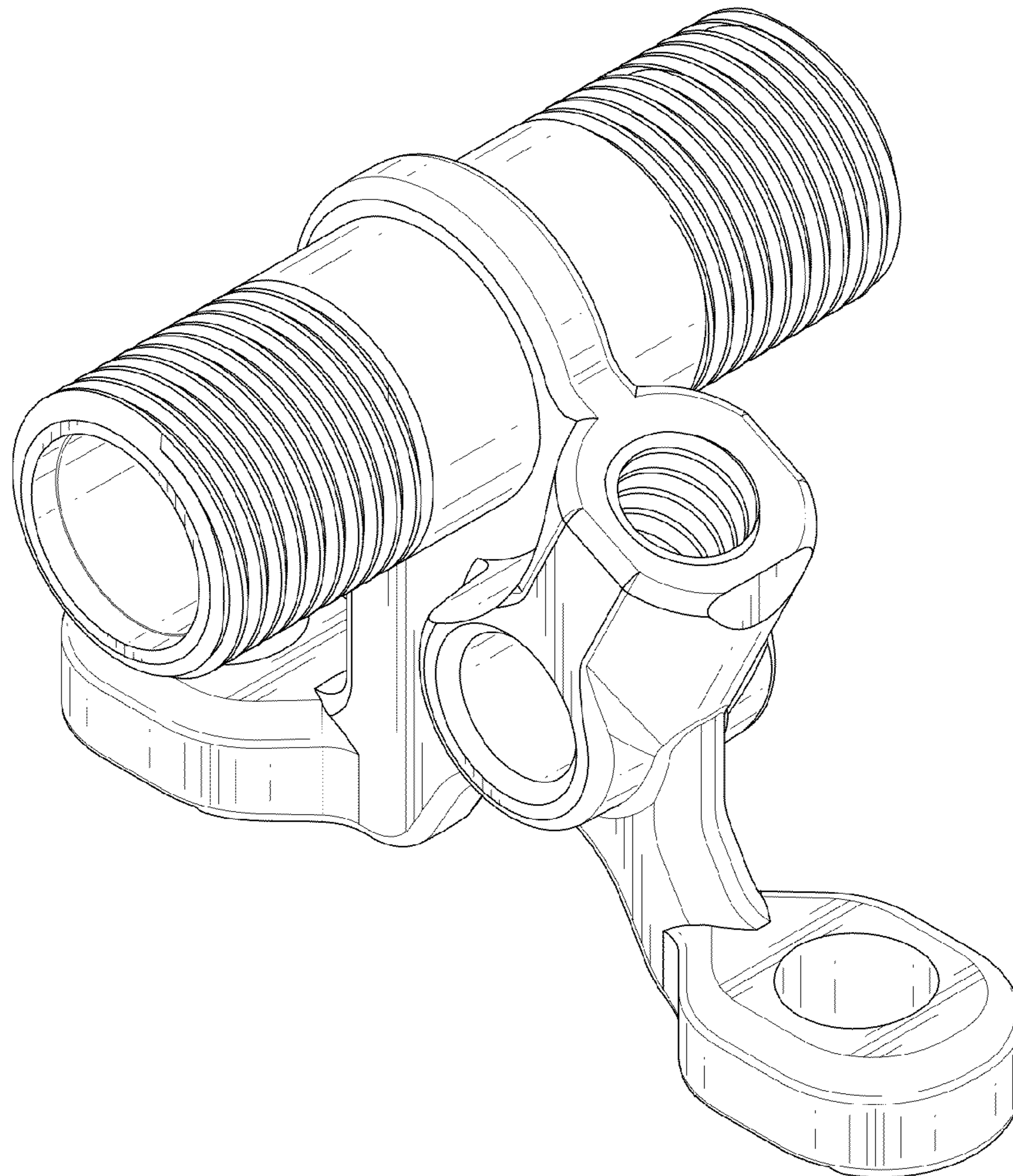
(57) **CLAIM**

I claim the ornamental design for a cable connector, as shown and described.

DESCRIPTION

FIG. 1 is a front perspective view of a cable connector showing my new design;
FIG. 2 is a front elevational view thereof;
FIG. 3 is a rear elevational view thereof.
FIG. 4 is a left side elevational view thereof;
FIG. 5 is a right side elevational view thereof;
FIG. 6 is a top plan view thereof; and,
FIG. 7 is a bottom plan view thereof.

1 Claim, 5 Drawing Sheets



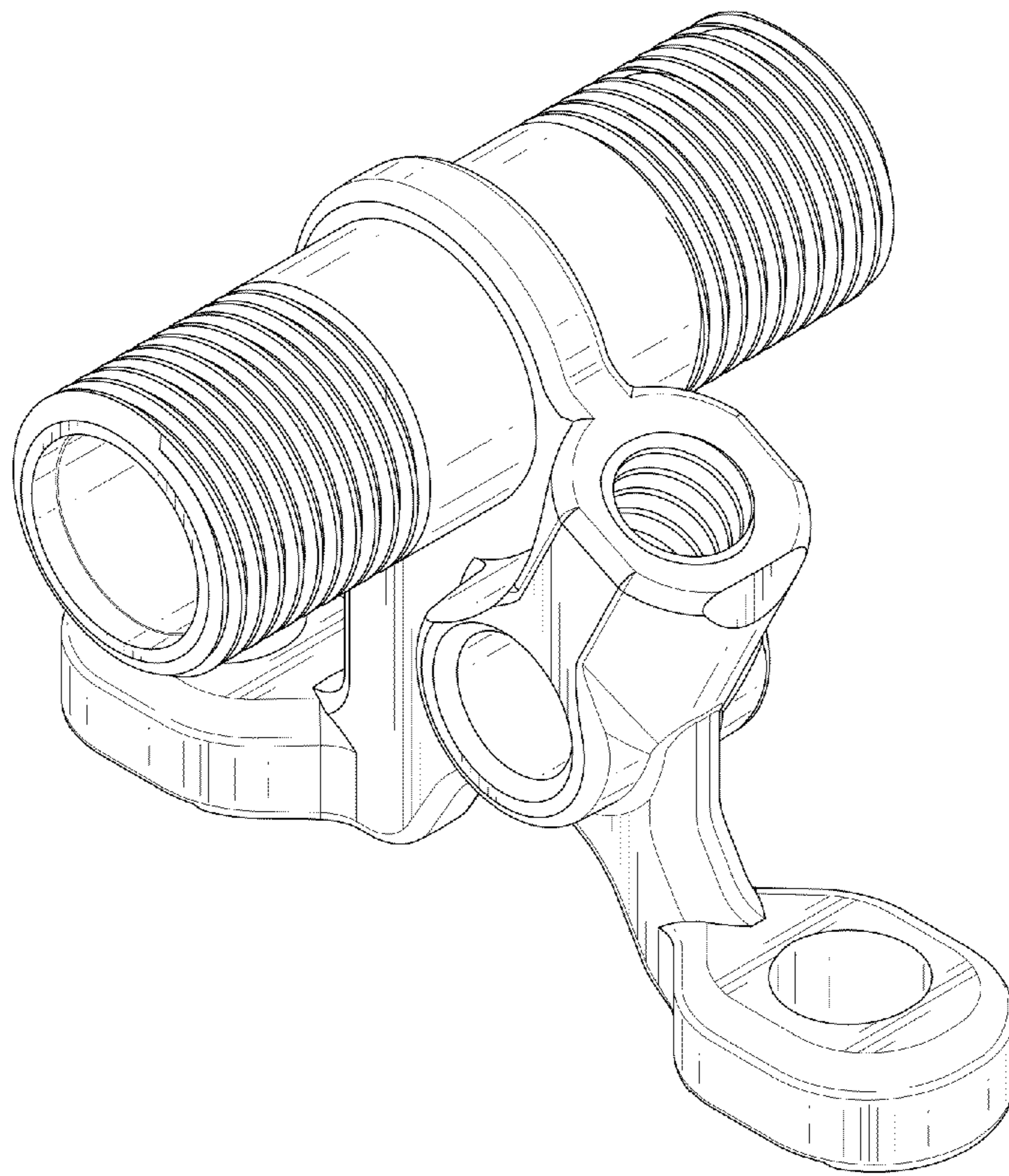


FIG. 1

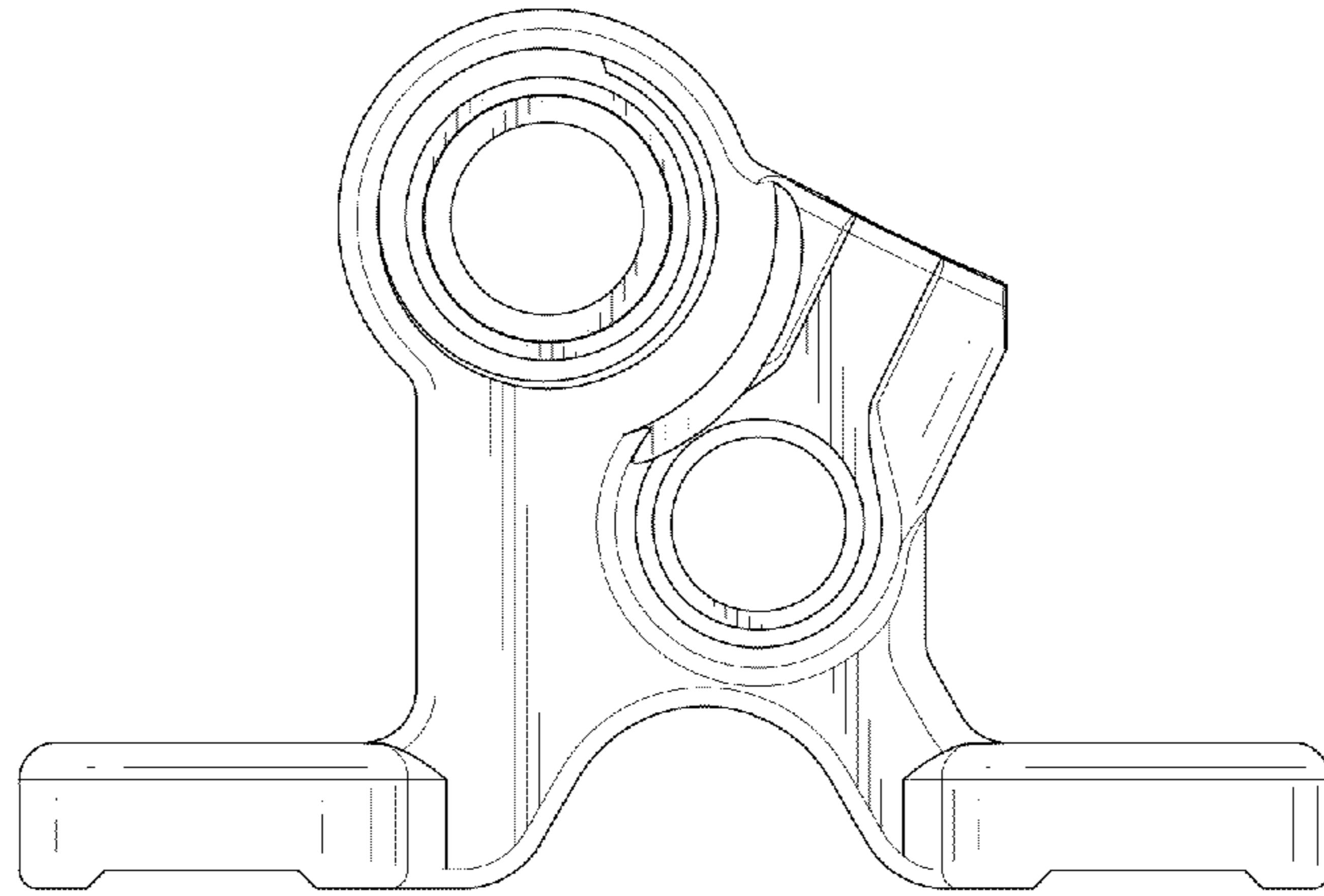


FIG. 2

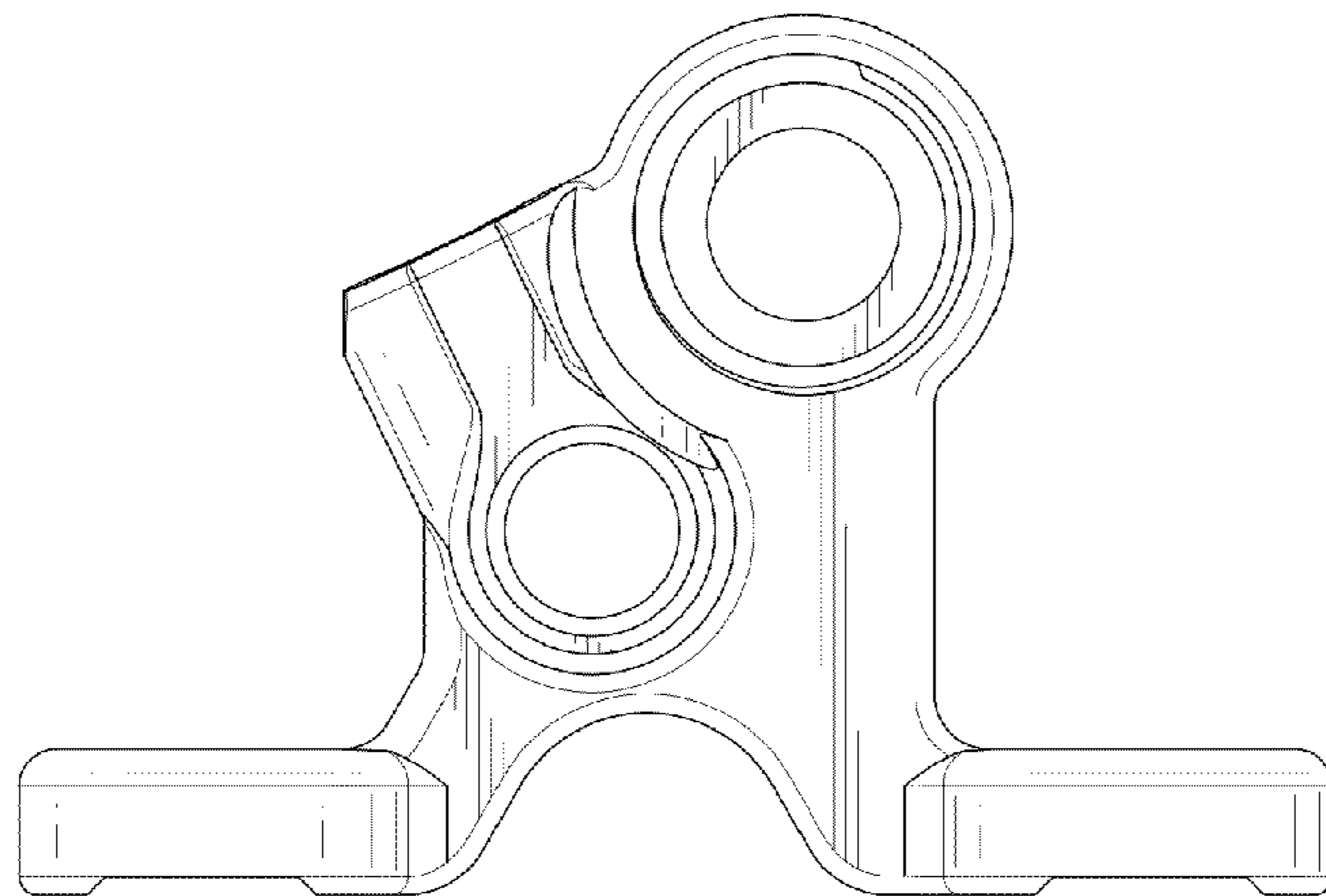


FIG. 3

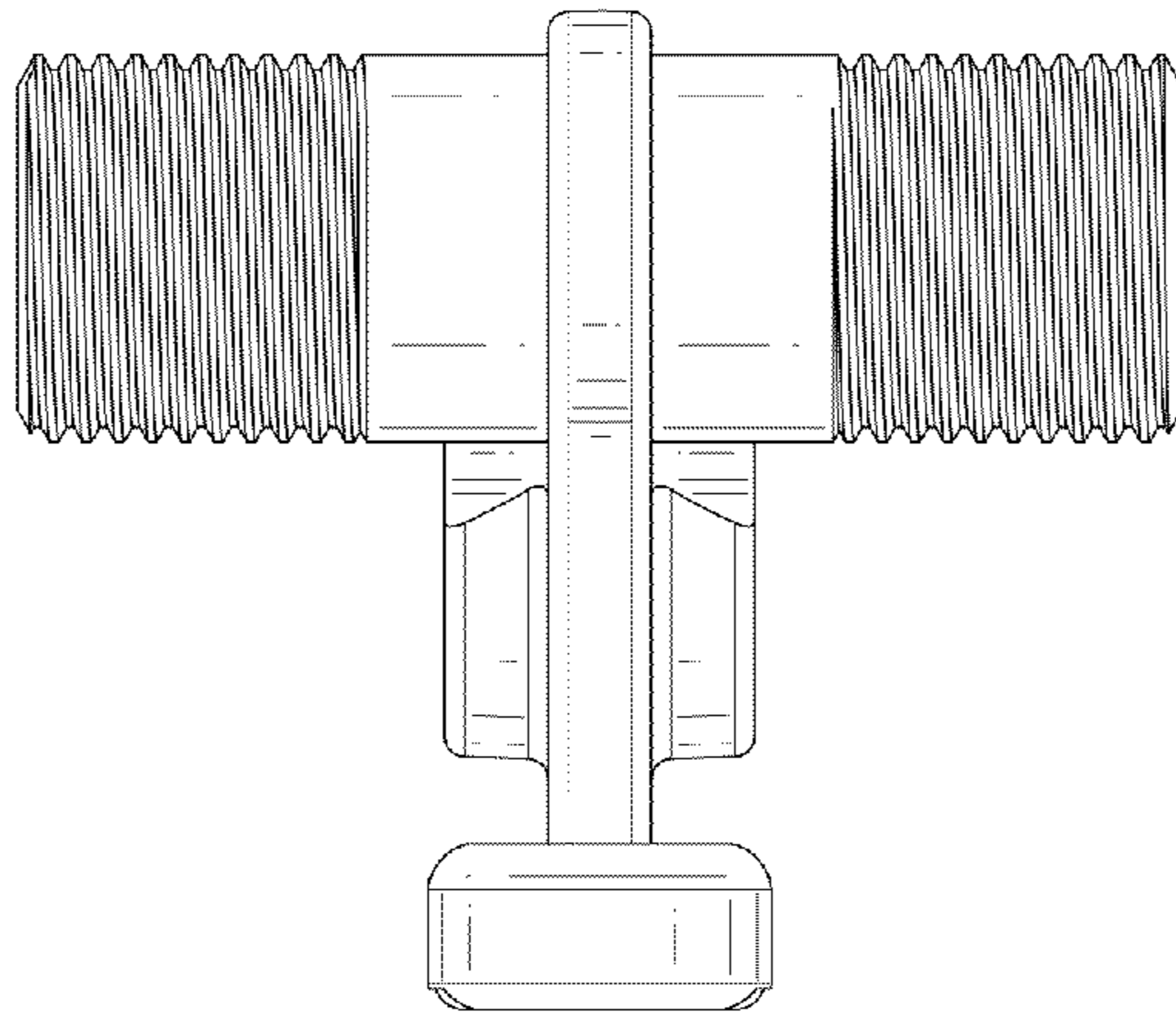


FIG. 4

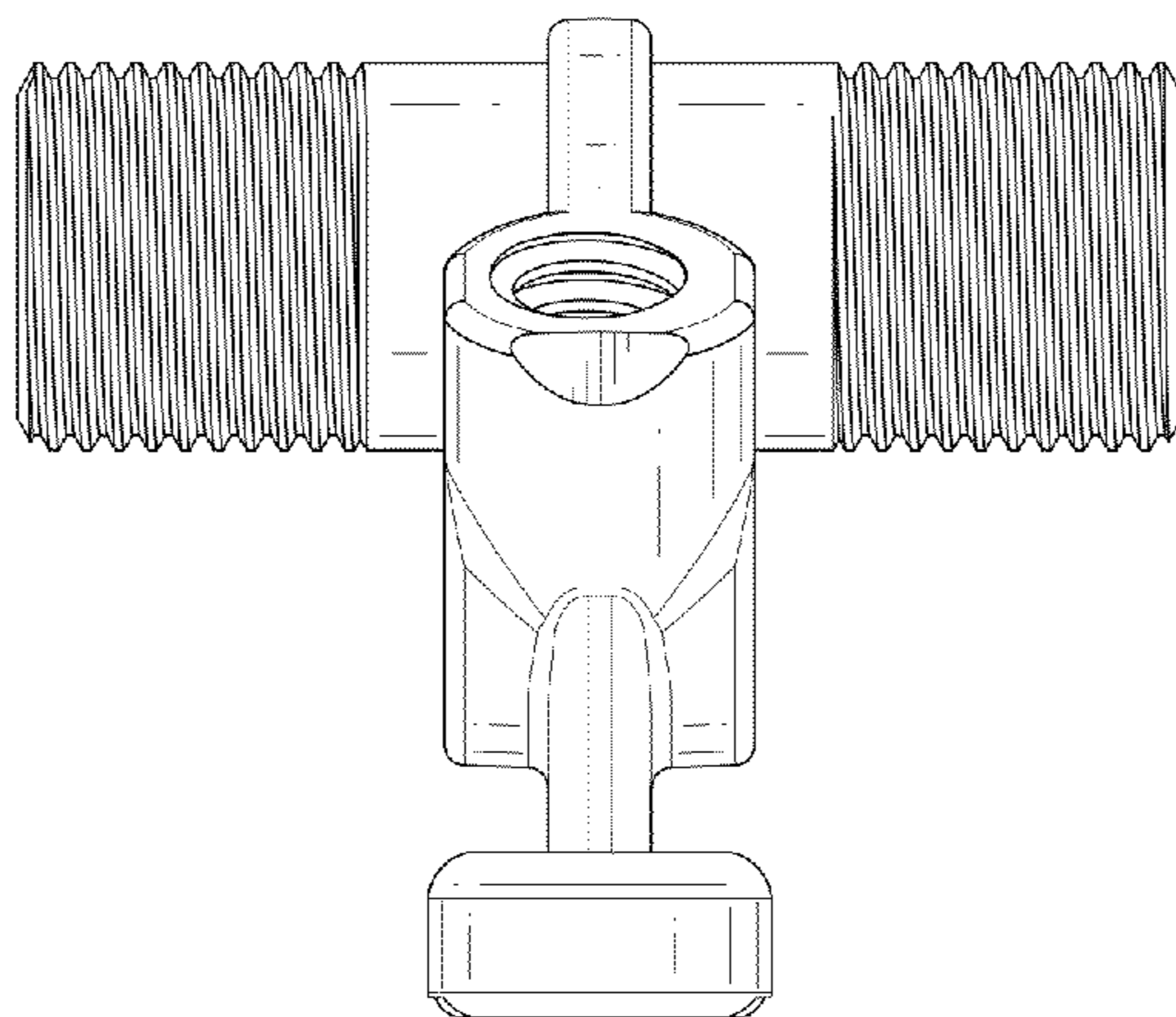


FIG. 5

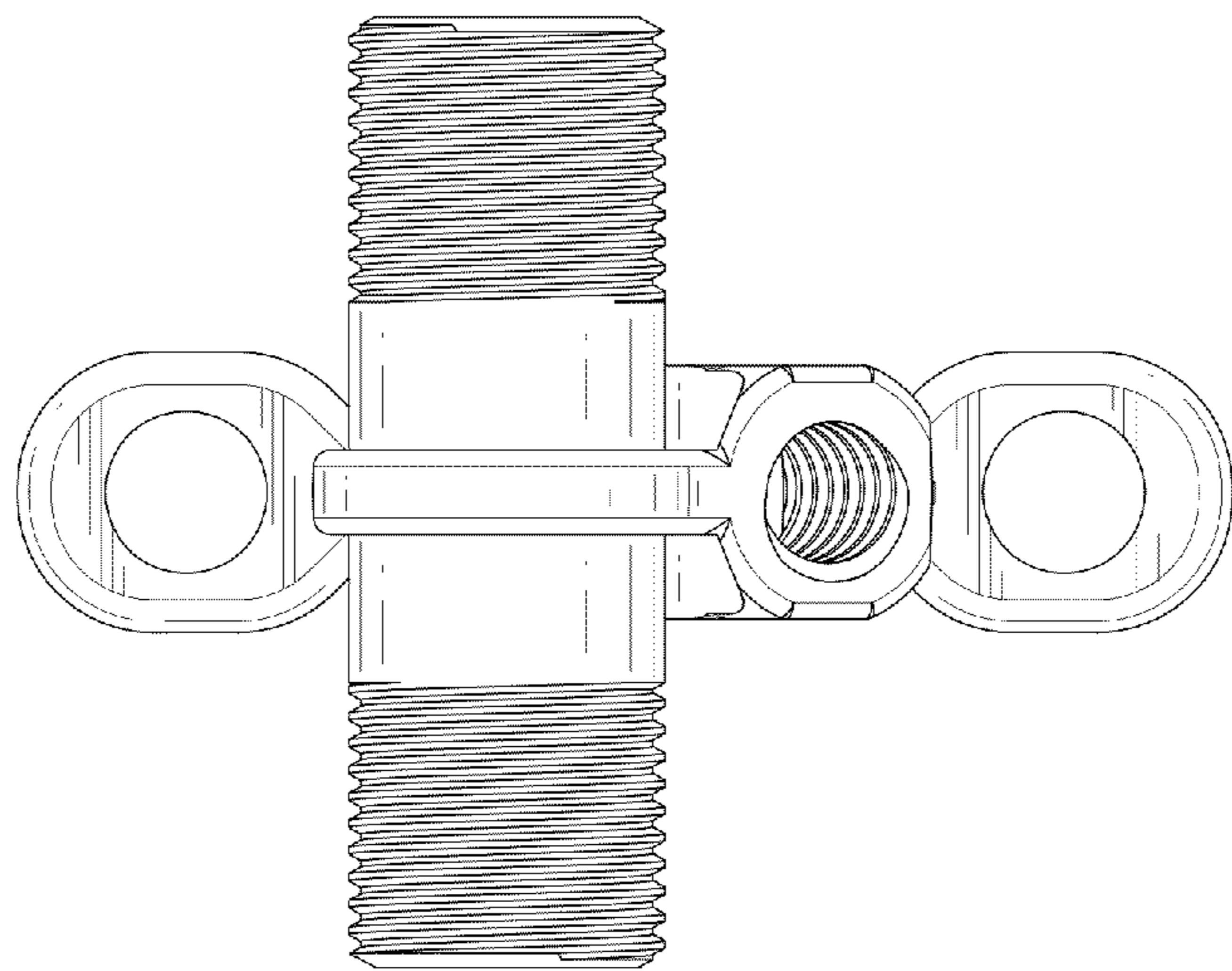


FIG. 6

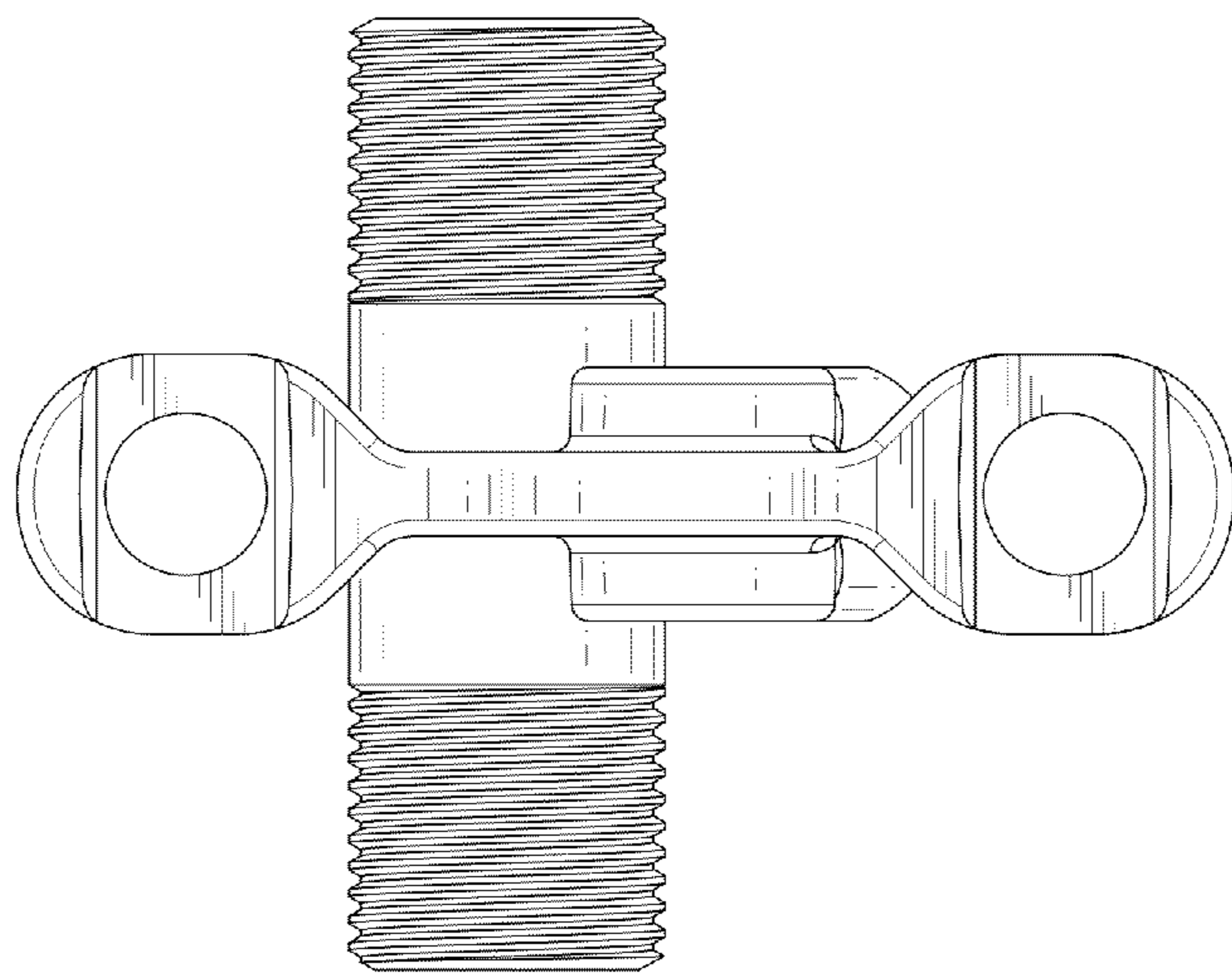


FIG. 7