



US00D670654S

(12) **United States Design Patent**
Kajiura et al.

(10) **Patent No.:** **US D670,654 S**
(45) **Date of Patent:** **** Nov. 13, 2012**

(54) **HOUSING FOR AN ELECTRICAL CONNECTOR**

(75) Inventors: **Motomu Kajiura**, Tokyo (JP);
Yasutoshi Kameda, Kisarazu (JP);
Jeffery Garvais, Beaverton, OR (US)
(73) Assignees: **FCI**, Guyancourt (FR); **FCI Americas Technology LLC**, Carson City, NV (US)
(**) Term: **14 Years**

(21) Appl. No.: **29/407,363**

(22) Filed: **Nov. 28, 2011**

(51) **LOC (9) Cl.** **13-03**

(52) **U.S. Cl.** **D13/147**

(58) **Field of Classification Search** D13/120,
D13/146, 147, 154, 184, 199; 439/180, 246,
439/278, 357, 358, 374, 527, 529, 533, 607.1,
439/607.22, 607.23, 607.31, 607.32, 607.33,
439/607.34, 607.53, 680, 839, 849-850,
439/852, 862, 870, 877, 884-885, 887-891
See application file for complete search history.

(56) **References Cited**

U.S. PATENT DOCUMENTS

3,612,747	A	10/1971	Shlesinger, Jr.	
D227,767	S	7/1973	Gillespie	
4,171,858	A	10/1979	Knowles et al.	
4,560,226	A	12/1985	Dennis	
4,749,368	A	6/1988	Mouissie	
5,567,545	A	10/1996	Murakami	
5,631,098	A	5/1997	Suzuki	
D408,353	S	4/1999	Yoshiura	
D409,143	S	5/1999	Yoshiura	
D410,226	S	5/1999	Yoshiura	
6,083,059	A	7/2000	Kuan	
6,129,168	A	10/2000	Lotito et al.	
D447,122	S *	8/2001	Harasawa et al.	D13/147
6,315,621	B1	11/2001	Natori et al.	
D473,192	S *	4/2003	Ouchi et al.	D13/147
D481,996	S	11/2003	Kihira et al.	
D485,807	S	1/2004	Kao et al.	
6,835,089	B2	12/2004	Hayes et al.	

(Continued)

OTHER PUBLICATIONS

U.S. Appl. No. 29/393,270, filed Jun. 1, 2011, Kajiura et al.

(Continued)

Primary Examiner — Daniel Bui

(74) *Attorney, Agent, or Firm* — Woodcock Washburn LLP

(57) **CLAIM**

The ornamental design for a housing for an electrical connector, as shown and described.

DESCRIPTION

The present application is related by subject matter to U.S. Design patent application Ser. No. 29/393,270 entitled “Electrical Terminal” filed on Jun. 1, 2011, U.S. Design patent application Ser. No. 29/393,276 entitled “Electrical Connector” filed on Jun. 1, 2011, U.S. Design patent application Ser. No. 29/393,280 entitled “Electrical Connector” filed on Jun. 1, 2011, U.S. Design patent application Ser. No. 29/393,282 entitled “Electrical Terminals for Electrical Connector” filed on Jun. 1, 2011, U.S. Design patent application Ser. No. 29/393,269 entitled “Electrical Terminal” filed on Jun. 1, 2011, U.S. Design patent application Ser. No. 29/393,278 entitled “Electrical Terminal” filed on Jun. 1, 2011, U.S. Design patent application Ser. No. 29/393,281 entitled “Electrical Terminal” filed on Jun. 1, 2011, U.S. Design patent application Ser. No. 29/393,283 entitled “Electrical Terminal” filed on Jun. 1, 2011, and U.S. Design patent application Ser. No. 29/407,370 entitled “Electrical Connector” filed on even date herewith.

FIG. 1 is a top, right, front perspective view of a housing for an electrical connector according to our design;

FIG. 2 is a bottom, left, rear perspective view thereof;

FIG. 3 is a front elevation view thereof;

FIG. 4 is a rear elevation view thereof;

FIG. 5 is a left side elevation view thereof;

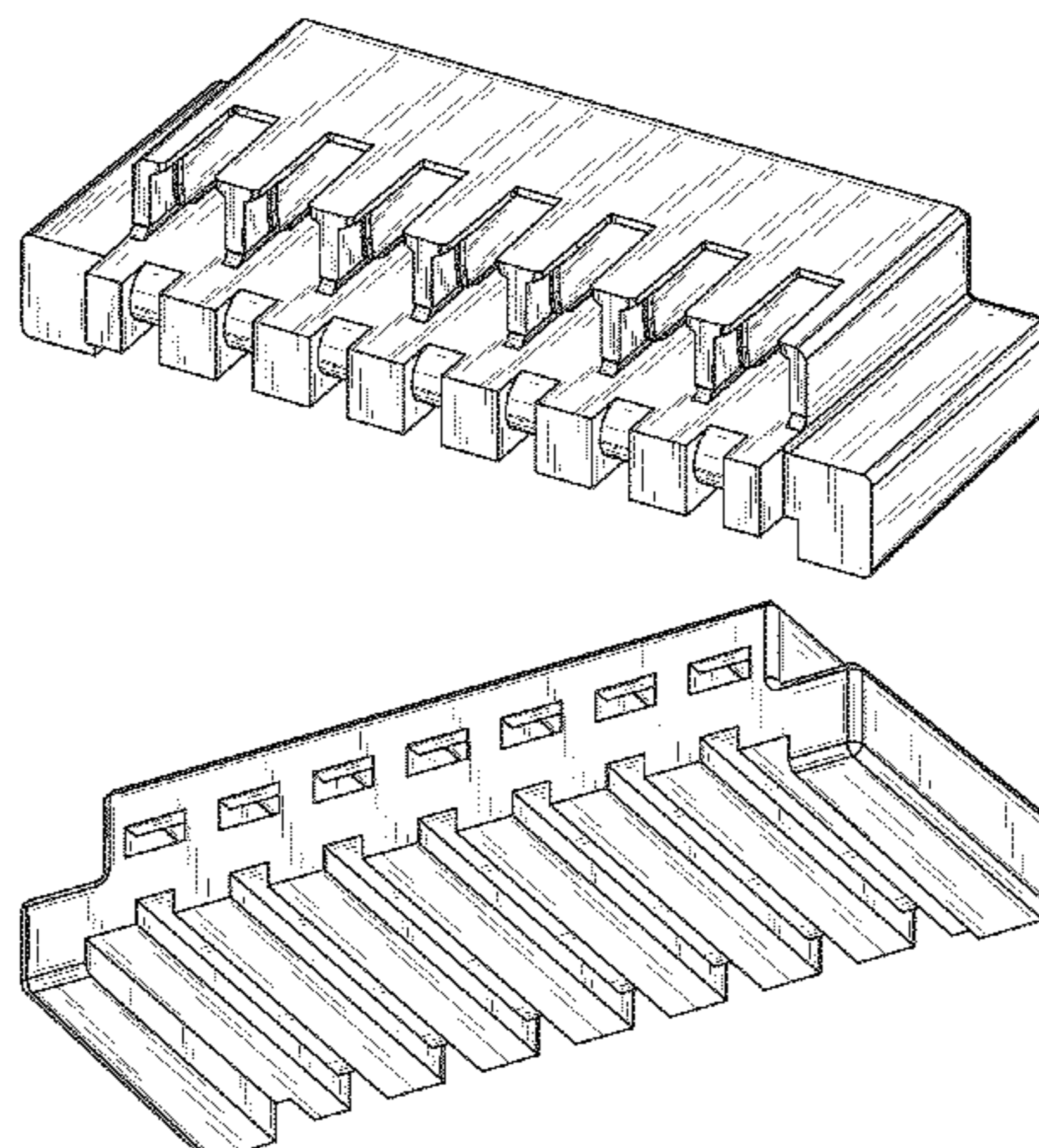
FIG. 6 is a right side elevation view thereof;

FIG. 7 is a top plan view thereof; and,

FIG. 8 is a bottom plan view thereof.

The broken line portion of the figure drawings is included to show unclaimed subject matter only and forms no part of the claimed design.

1 Claim, 2 Drawing Sheets



US D670,654 S

Page 2

U.S. PATENT DOCUMENTS

6,932,382 B2 8/2005 Hayes et al.
7,001,205 B2 2/2006 Godefroy et al.
D528,985 S * 9/2006 Peng D13/147
D529,443 S 10/2006 Chien
D530,679 S * 10/2006 Li et al. D13/149
D555,093 S 11/2007 Chien et al.
D555,095 S 11/2007 Ho
D555,096 S 11/2007 Peng
D555,131 S 11/2007 Kim et al.
D556,131 S 11/2007 Chien
D556,135 S 11/2007 Dwan et al.
D559,180 S 1/2008 Lai et al.
7,335,068 B2 2/2008 Dwan et al.
D568,246 S 5/2008 Wu et al.
D568,248 S 5/2008 Chen et al.
D569,343 S 5/2008 Hung et al.
D569,801 S 5/2008 Chuang
D569,802 S 5/2008 Long et al.
D570,288 S 6/2008 Ma et al.
D582,348 S 12/2008 Shiu
D584,231 S 1/2009 Wu
D584,237 S 1/2009 Zhu
D586,294 S 2/2009 Lung
D596,575 S * 7/2009 Chen et al. D13/147
D601,970 S 10/2009 Peng et al.
D601,971 S 10/2009 Chen et al.
D603,795 S 11/2009 Kono
D605,137 S 12/2009 Yu et al.

D607,834 S 1/2010 Huang
D607,835 S 1/2010 Huang
D608,295 S 1/2010 Huang
7,662,507 B2 2/2010 Schwendinger et al.
D614,493 S 4/2010 Creed et al.
D614,507 S 4/2010 Lukan et al.
D614,583 S 4/2010 Wang
D615,493 S 5/2010 Kalis
D618,173 S * 6/2010 Wang et al. D13/120
D619,538 S 7/2010 Peng
D642,981 S 8/2011 de Bruijn et al.
D644,177 S 8/2011 de Bruijn et al.
D647,863 S 11/2011 Su et al.
D649,517 S 11/2011 de Bruijn et al.
2004/0038121 A1 2/2004 Song et al.
2007/0243458 A1 10/2007 Roehm et al.
2008/0193837 A1 8/2008 Lu

OTHER PUBLICATIONS

U.S. Appl. No. 29/393,276, filed Jun. 1, 2011, Kajiura et al.
U.S. Appl. No. 29/393,280, filed Jun. 1, 2011, Kajiura et al.
U.S. Appl. No. 29/393,282, filed Jun. 1, 2011, Kajiura et al.
U.S. Appl. No. 29/393,269, filed Jun. 1, 2011, Kameda et al.
U.S. Appl. No. 29/393,278, filed Jun. 1, 2011, Kameda et al.
U.S. Appl. No. 29/393,281, filed Jun. 1, 2011, Kameda et al.
U.S. Appl. No. 29/393,283, filed Jun. 6, 2011, Kameda et al.

* cited by examiner

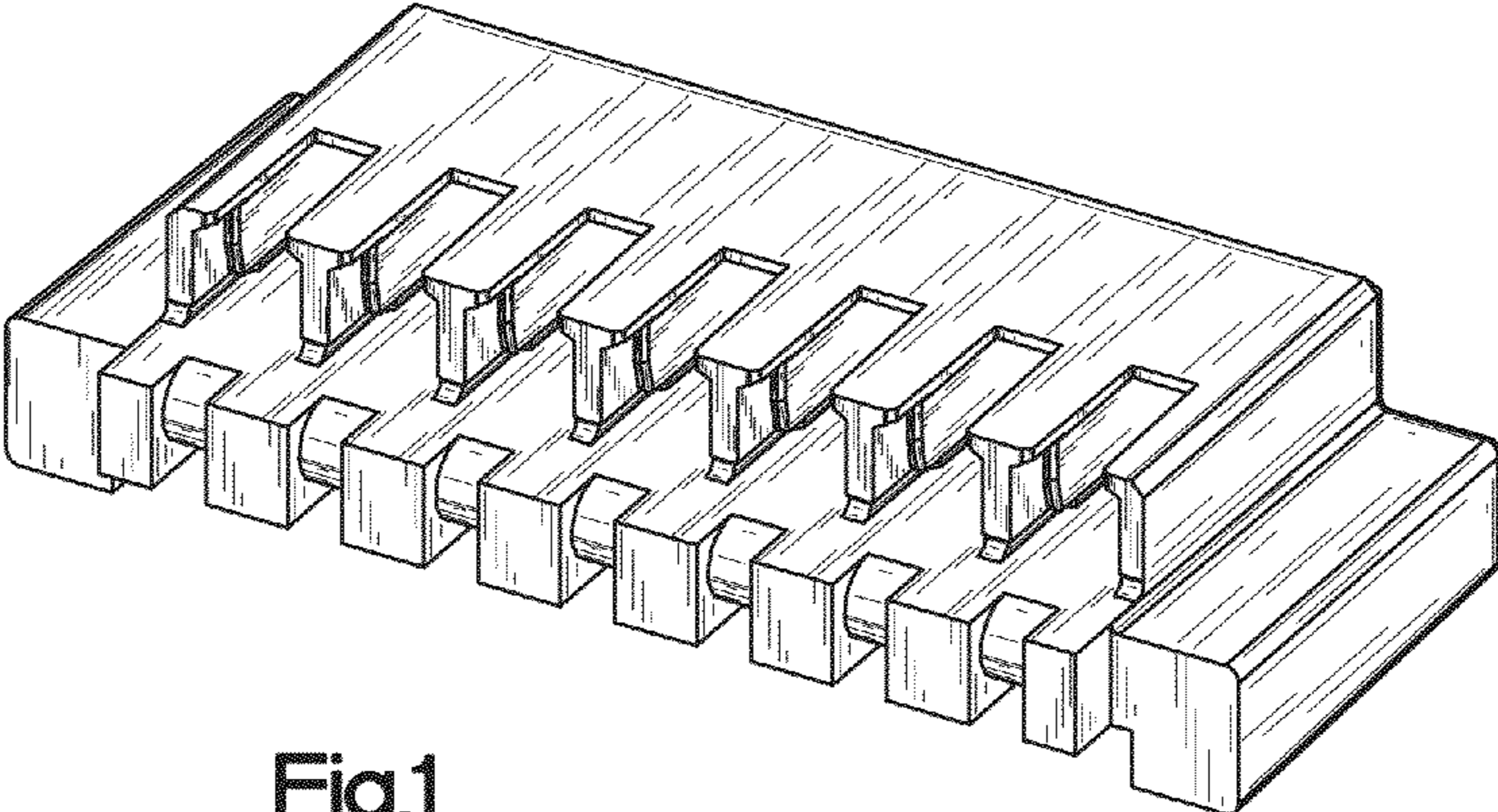


Fig.1

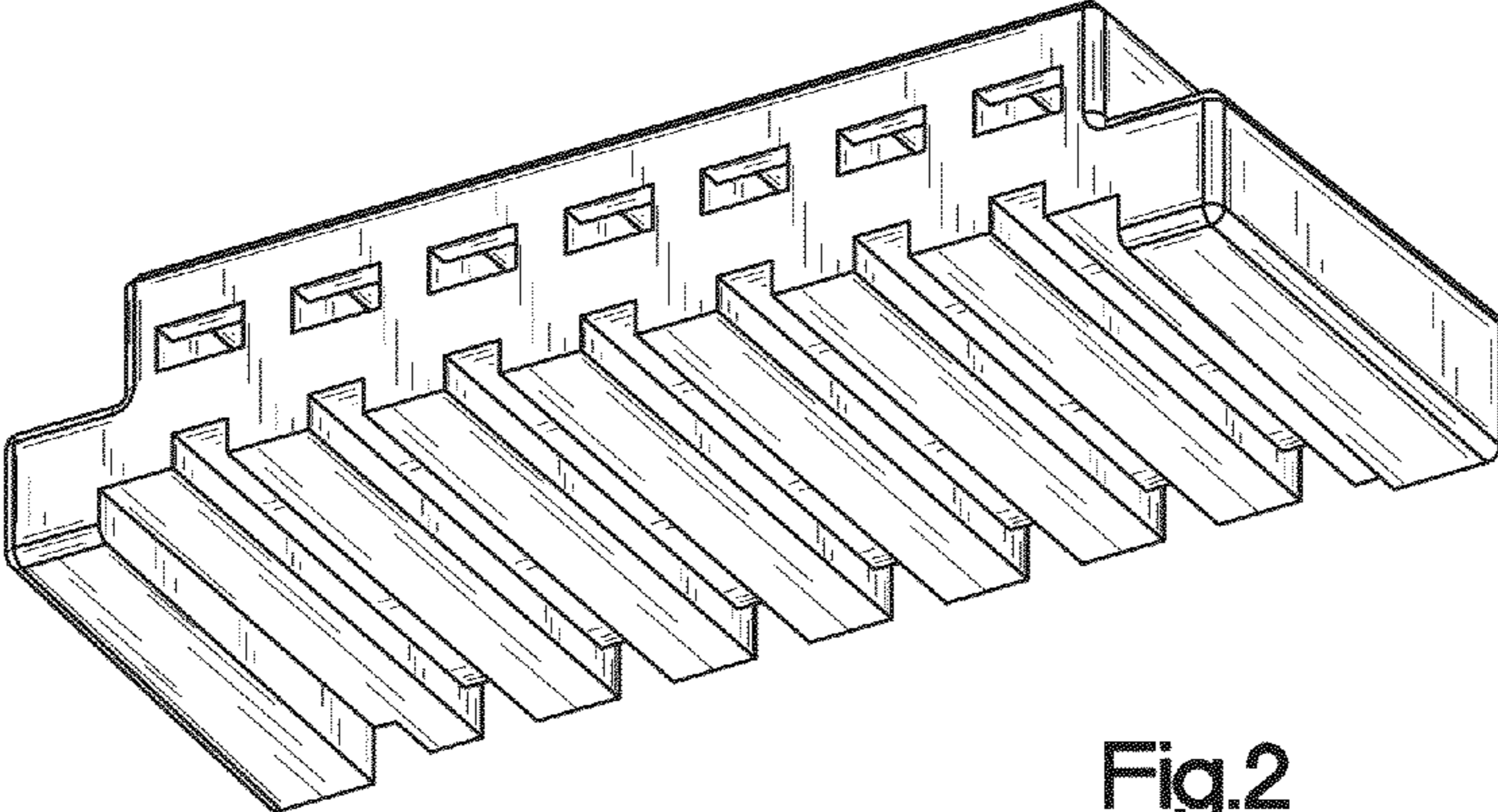


Fig.2

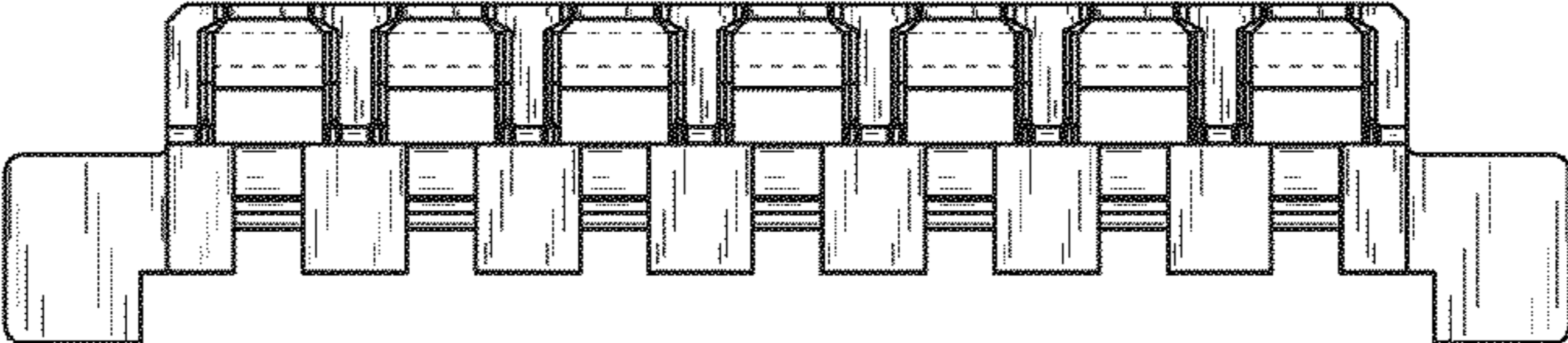


Fig.3

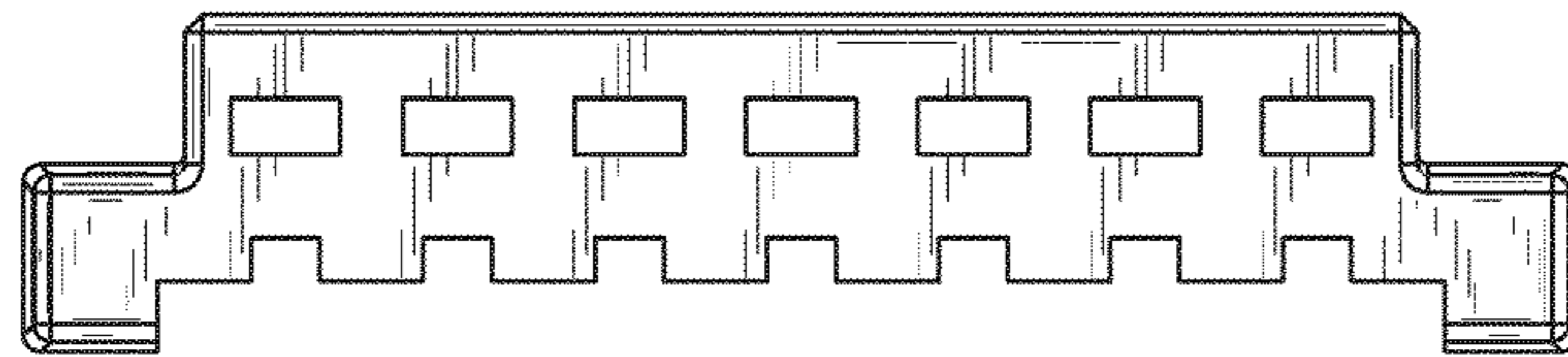


Fig.4

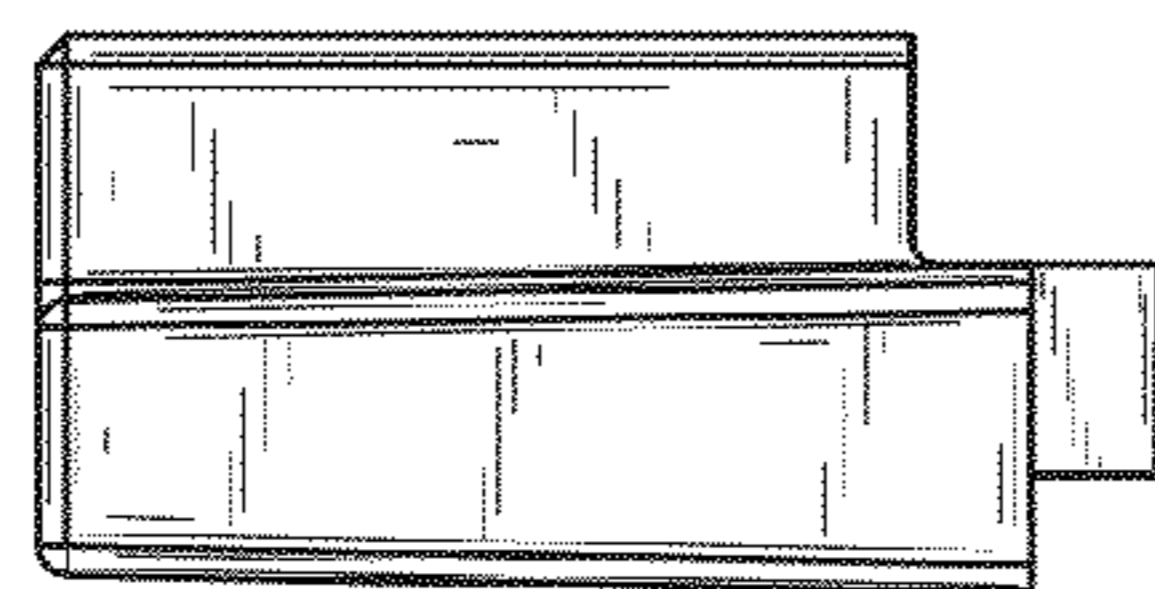


Fig.5

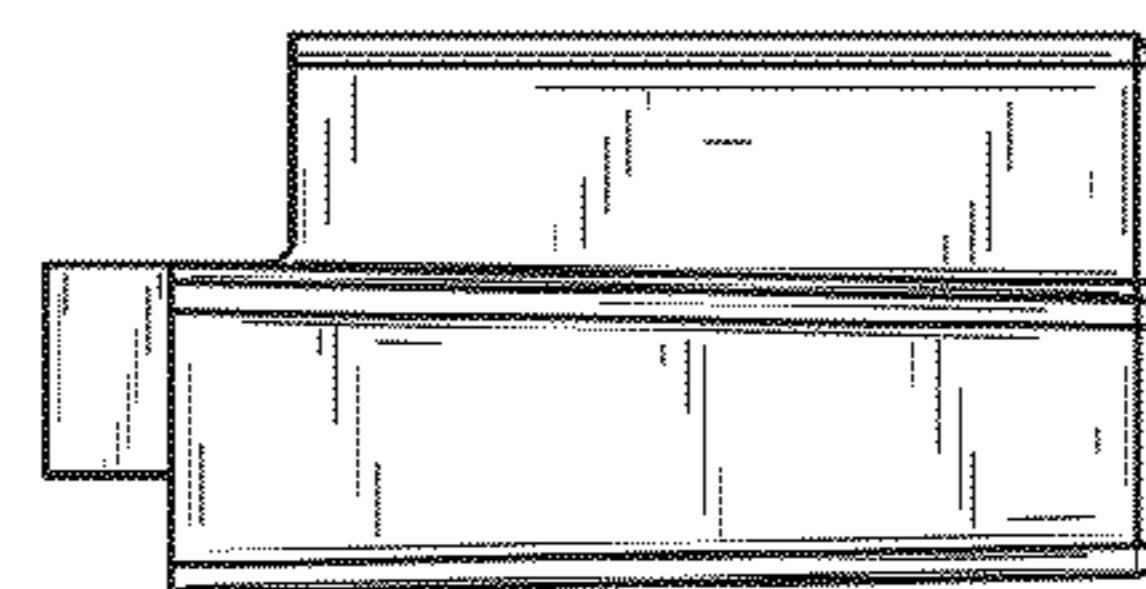


Fig.6

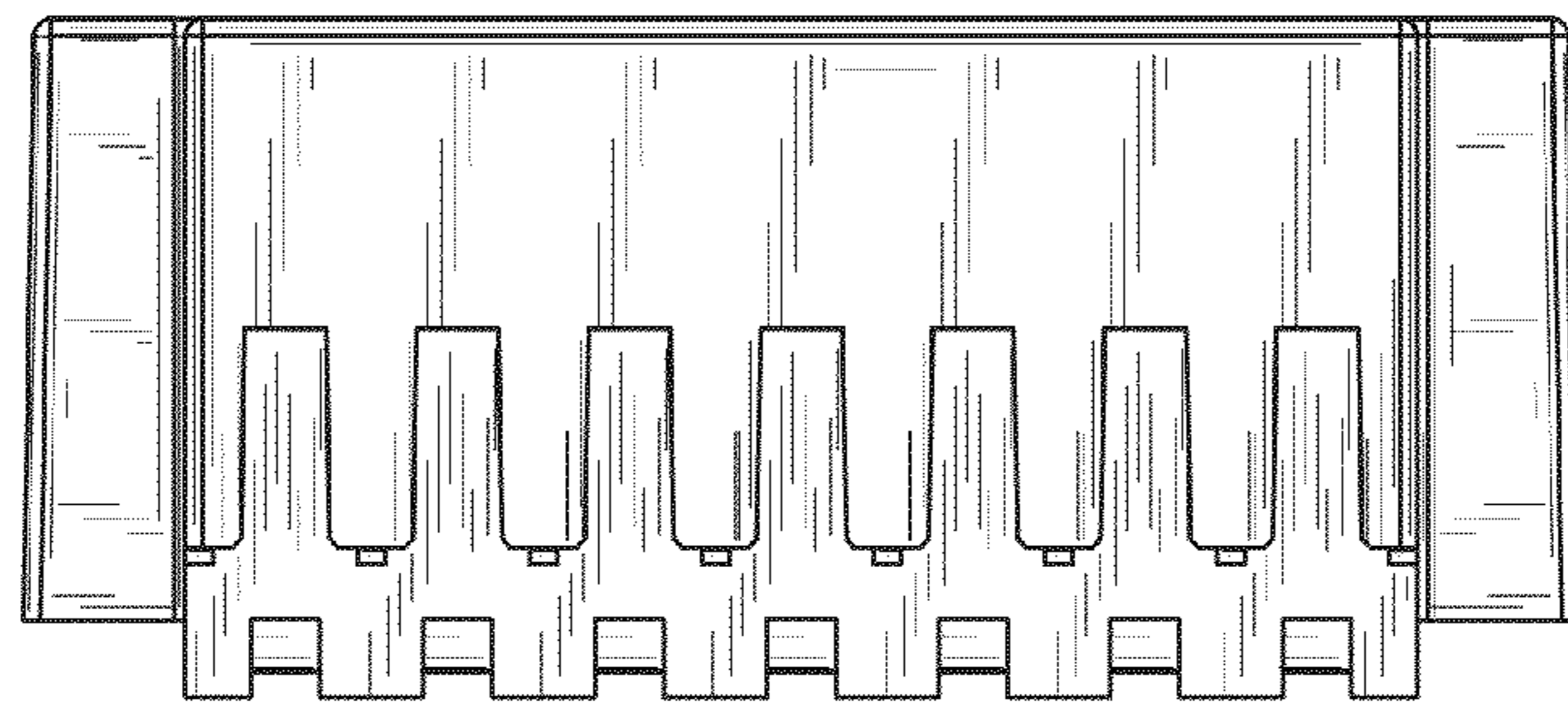


Fig.7

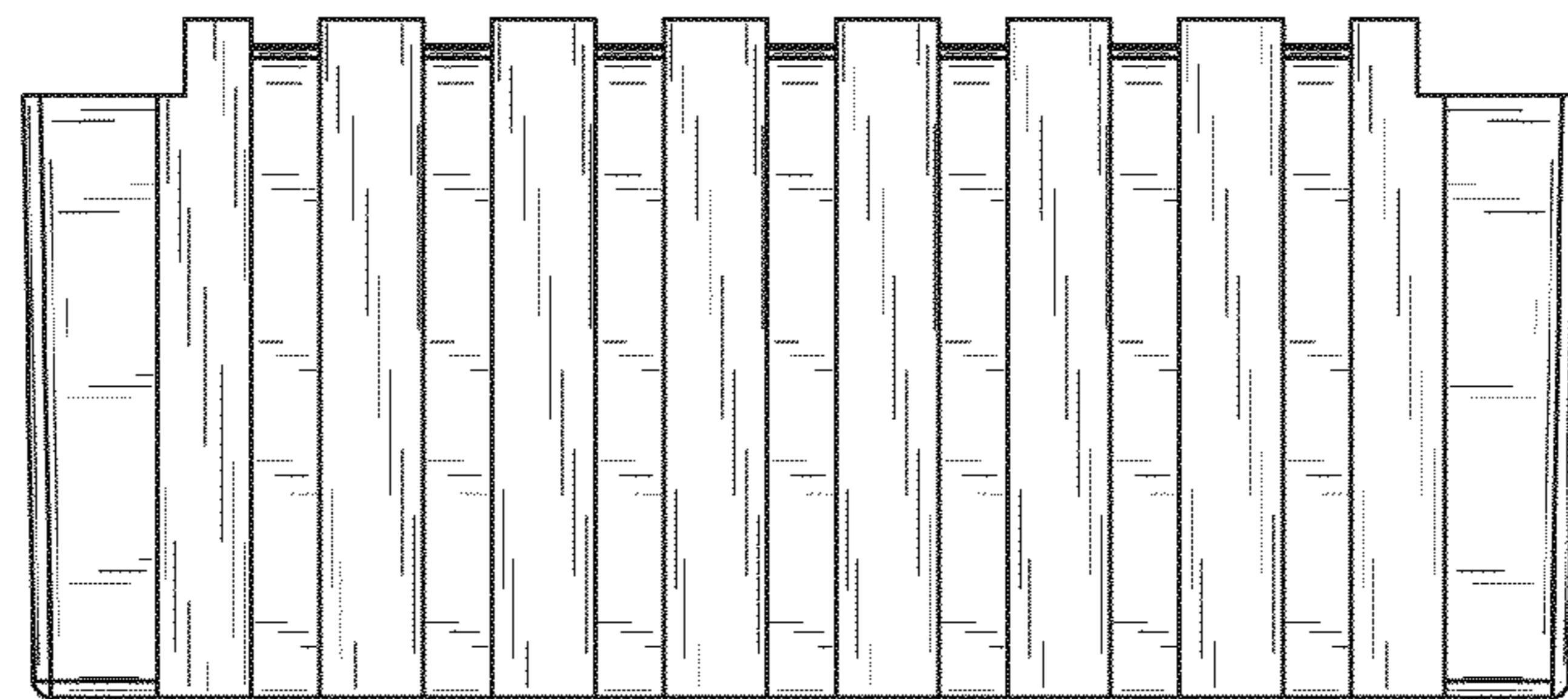


Fig.8