



US00D670653S

(12) **United States Design Patent**  
**Severing**

(10) **Patent No.:** **US D670,653 S**

(45) **Date of Patent:** **\*\* Nov. 13, 2012**

(54) **VERTICAL CONNECTION SPRING-CAGE  
PCB TERMINAL BLOCK**

(75) Inventor: **Sven Severing**, Bielefeld (DE)

(73) Assignee: **Phoenix Contact GmbH & Co. KG**,  
Blomberg (DE)

(\*\*) Term: **14 Years**

(21) Appl. No.: **29/369,666**

(22) Filed: **Sep. 10, 2010**

**Related U.S. Application Data**

(62) Division of application No. 29/330,973, filed on Jan.  
16, 2009, now Pat. No. Des. 626,509.

(30) **Foreign Application Priority Data**

Jul. 16, 2008 (EM) ..... 000970777

(51) **LOC (9) Cl.** ..... **13-03**

(52) **U.S. Cl.** ..... **D13/147; D13/146**

(58) **Field of Classification Search** ..... D13/133,  
D13/146-147, 154, 184; 439/607.01, 607.22,  
439/607.31, 607.32, 607, 33, 34, 607.53,  
439/607.04, 607.05, 607.17, 607.25, 607.41,  
439/663, 680, 681

See application file for complete search history.

(56) **References Cited**

U.S. PATENT DOCUMENTS

D360,620 S 7/1995 Gehrs et al.  
D461,771 S 8/2002 Zhao et al.  
D498,463 S 11/2004 Lin et al.  
D507,241 S 7/2005 Koessler  
D624,503 S 9/2010 Severing

OTHER PUBLICATIONS

Co-pending U.S. Appl. No. 29/367,742, filed Sep. 10, 2010, entitled:  
"Horizontal connection spring-cage pcb terminal block".

*Primary Examiner* — Daniel Bui

(74) *Attorney, Agent, or Firm* — Leydig, Voit & Mayer, Ltd.

(57) **CLAIM**

The ornamental design for a vertical connection spring-cage  
PCB terminal block, as shown and described.

**DESCRIPTION**

FIG. 1 is a top, front and left side perspective of the vertical  
connection spring-cage PCB terminal block showing my new  
design;

FIG. 2 is a front elevational view thereof;

FIG. 3 is a right side elevational view thereof;

FIG. 4 is a rear elevational view thereof;

FIG. 5 is a bottom plan view thereof;

FIG. 6 is a top plan view thereof; and,

FIG. 7 is a left side elevational view thereof.

The broken line portion in the drawing views is included to  
show environment only and forms no part of the claimed  
design.

**1 Claim, 7 Drawing Sheets**

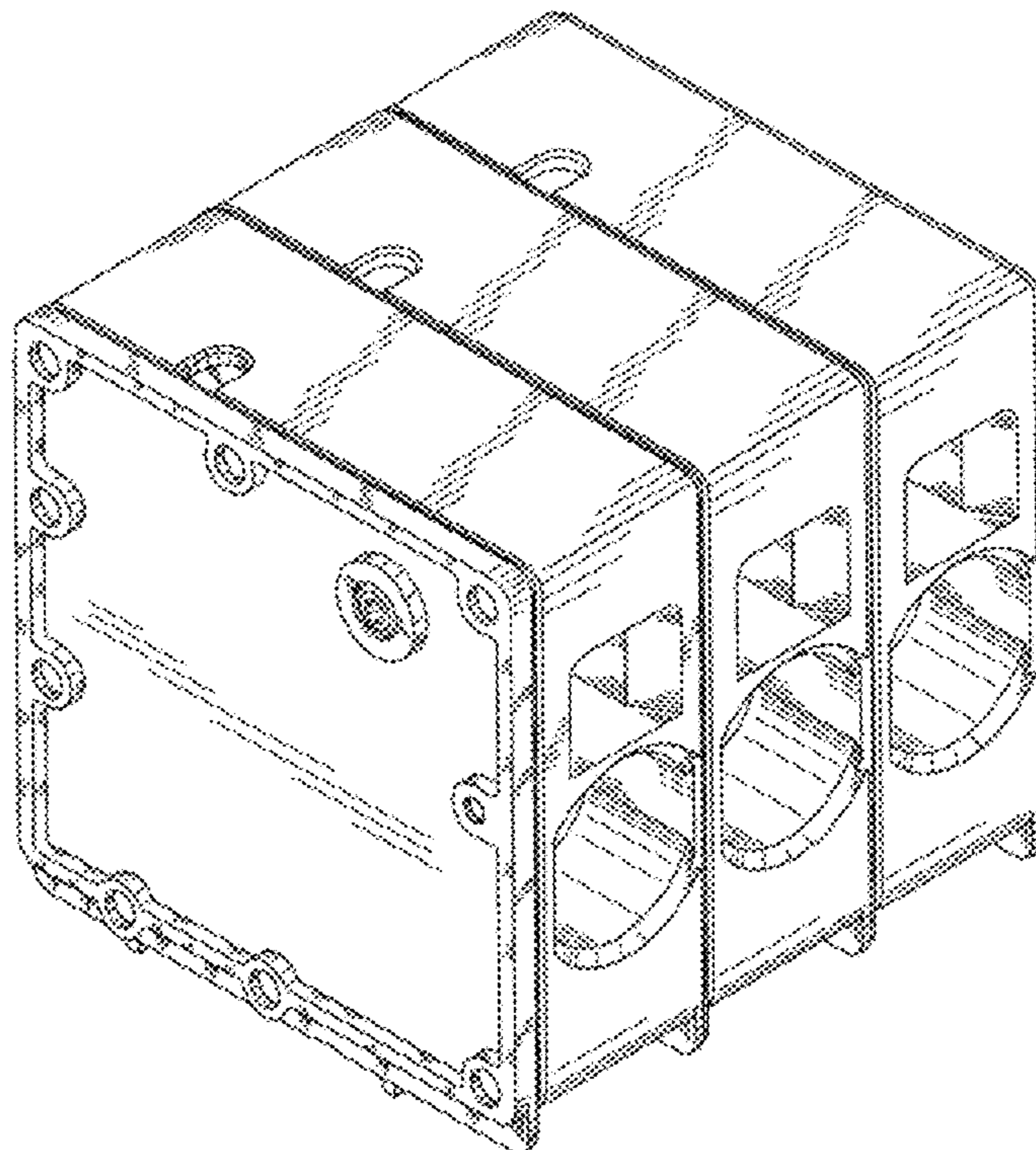


FIG. 1

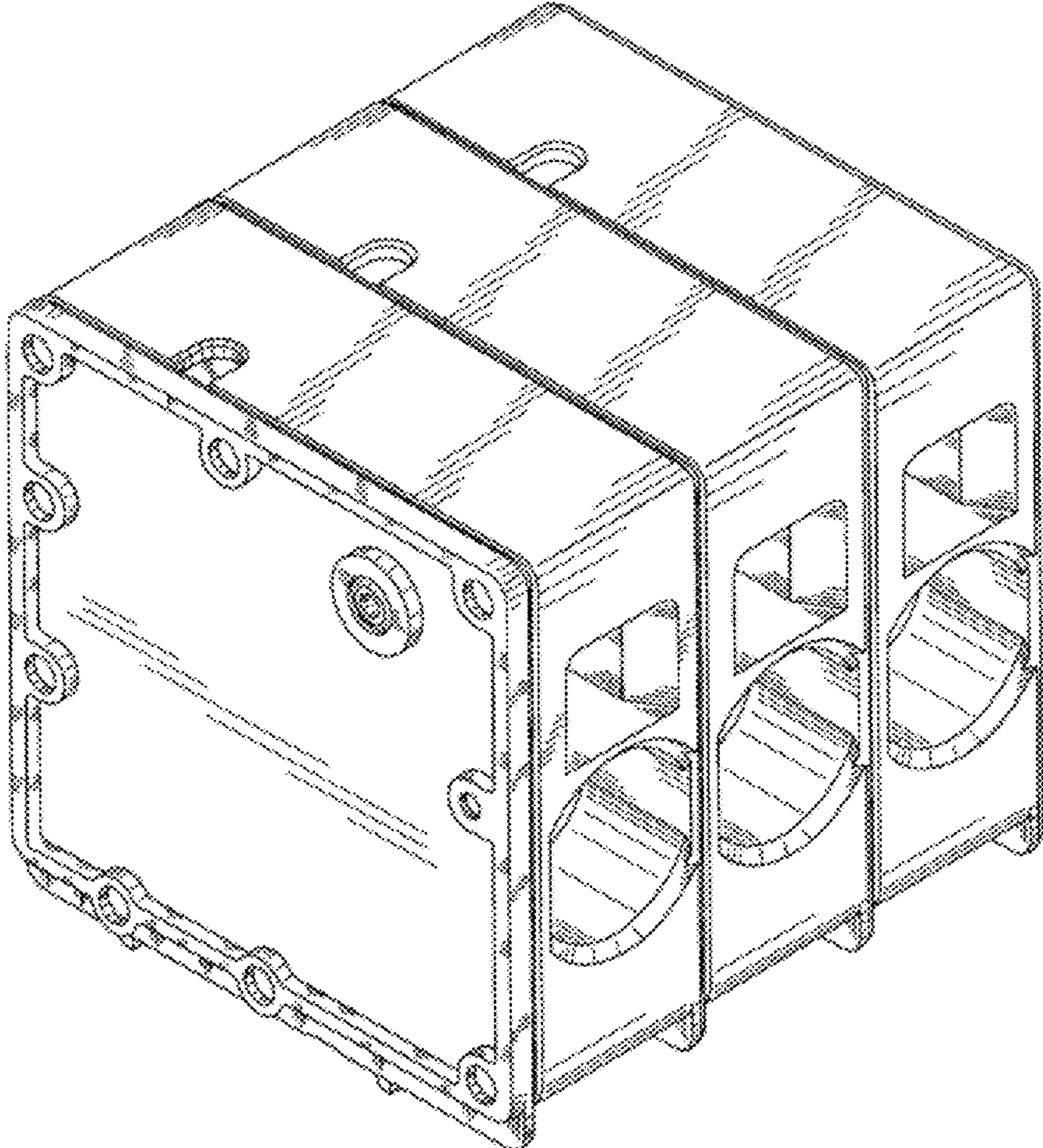


FIG. 2

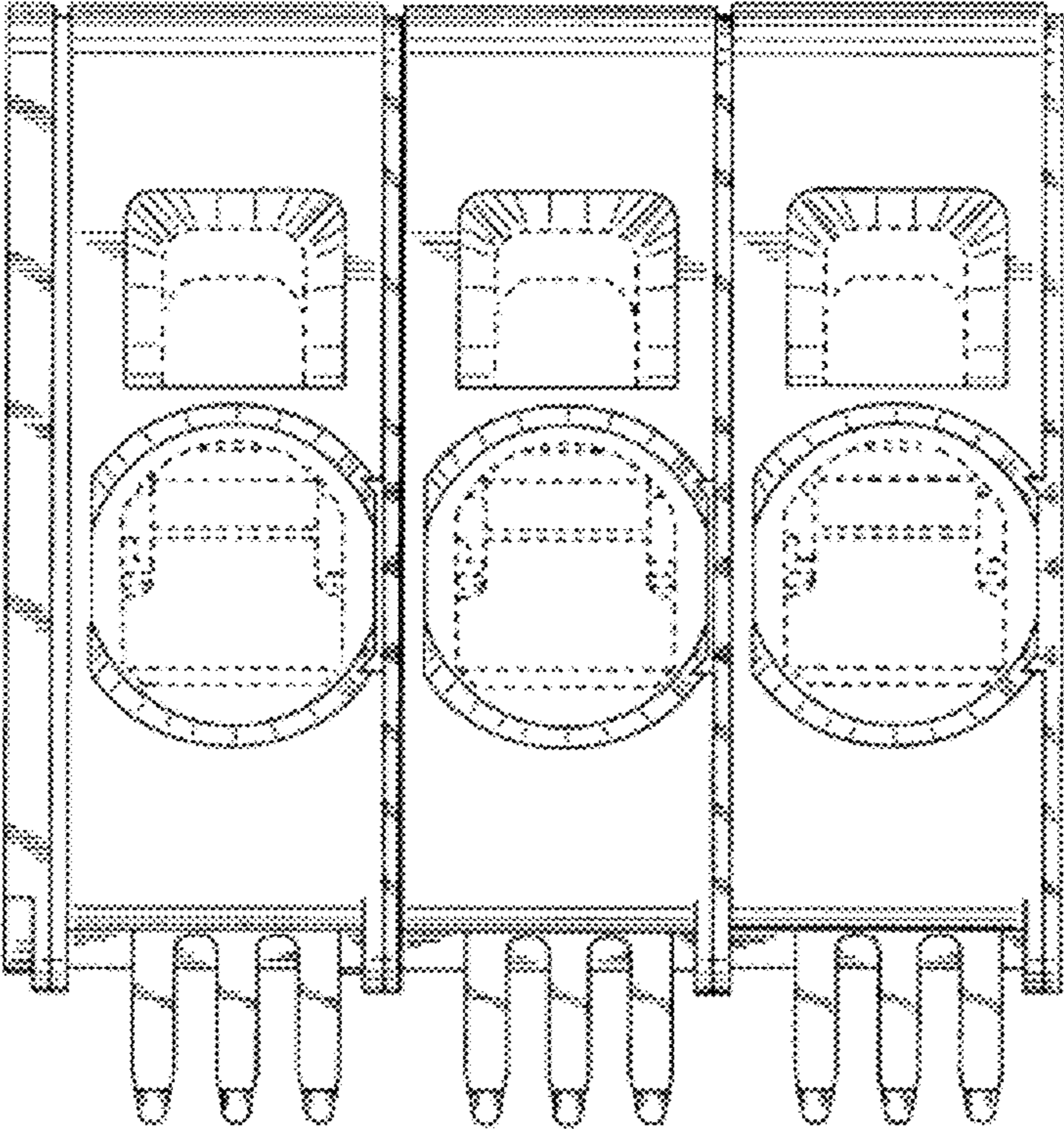


FIG. 3

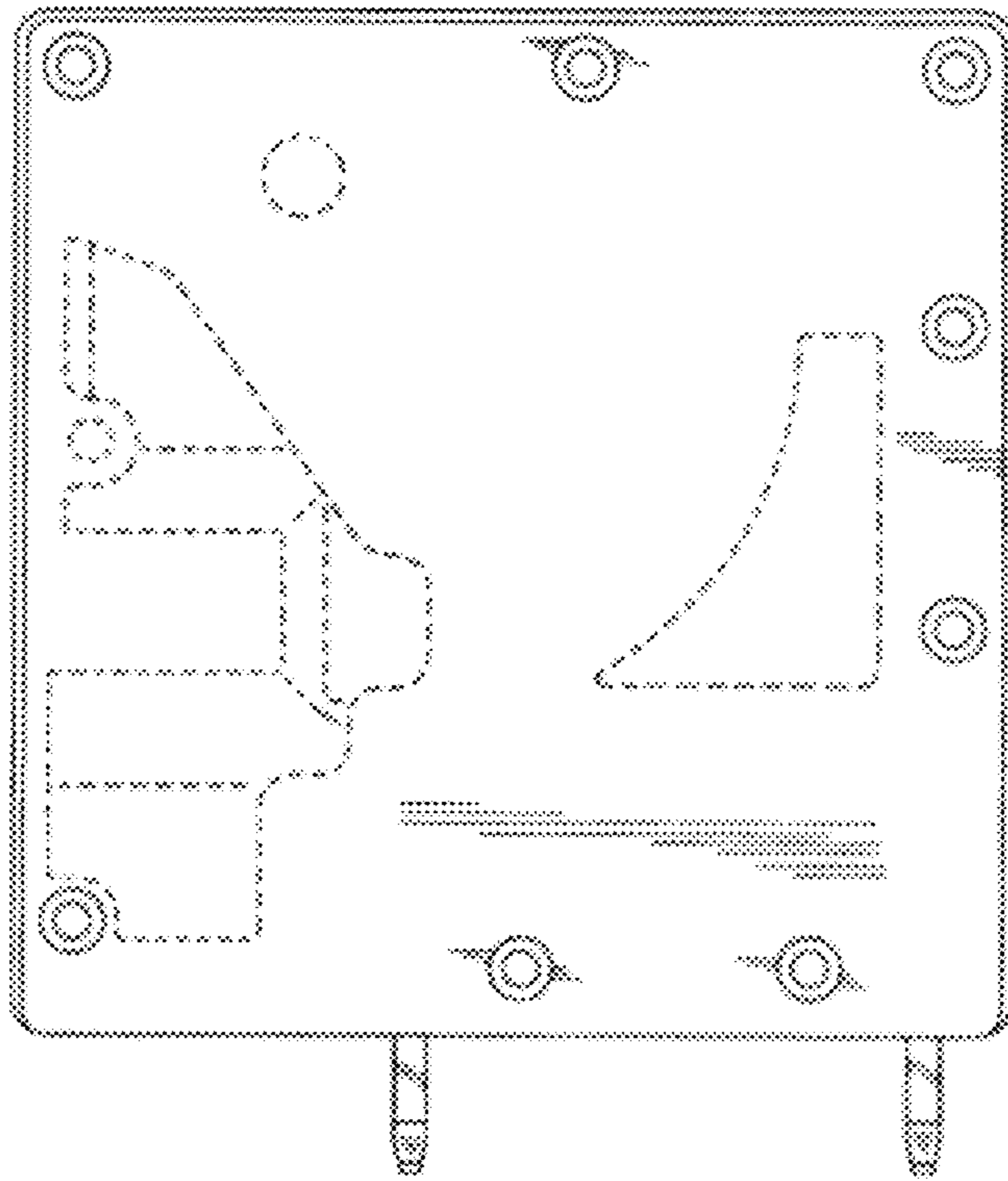


FIG. 4

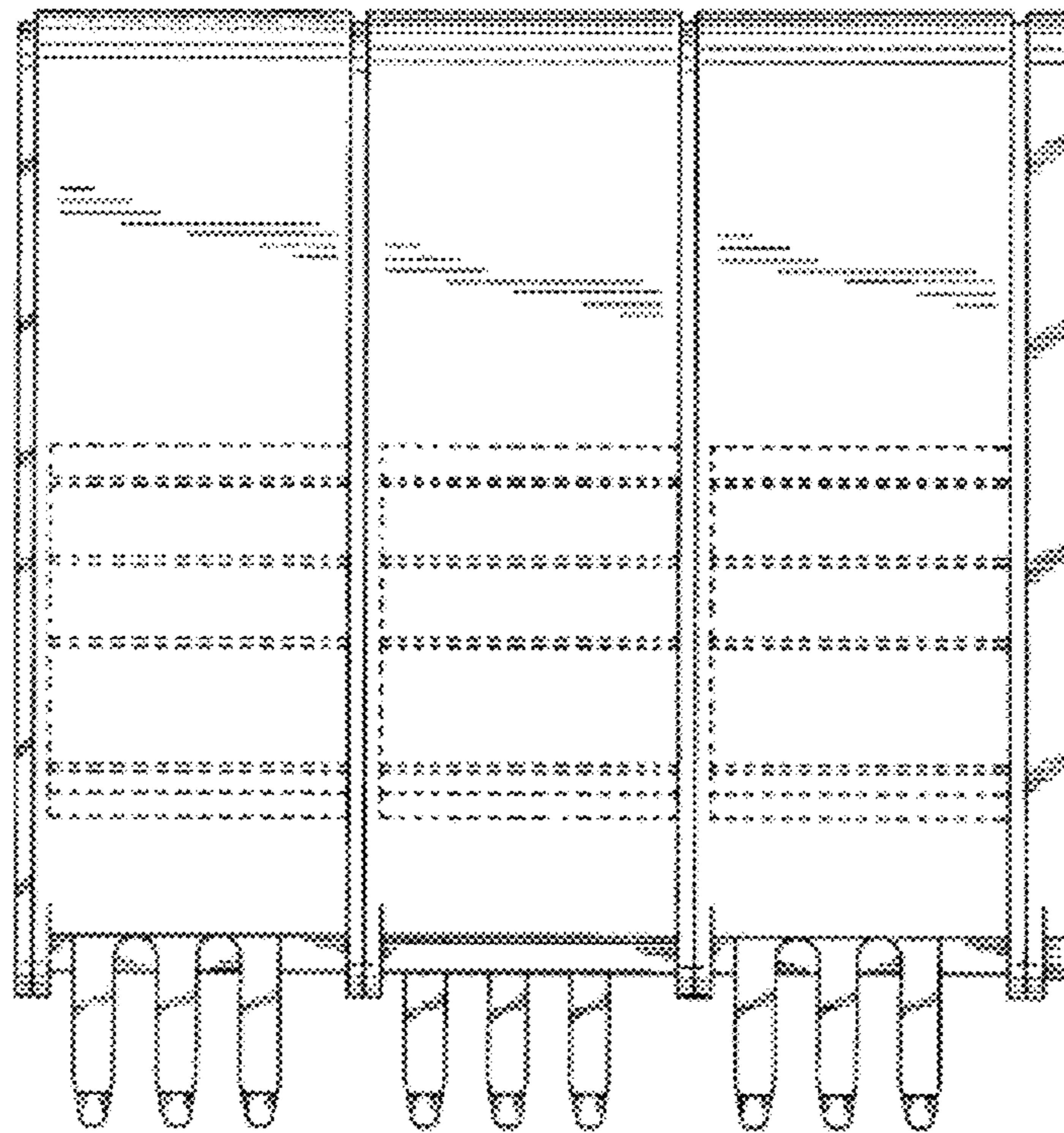


FIG. 5

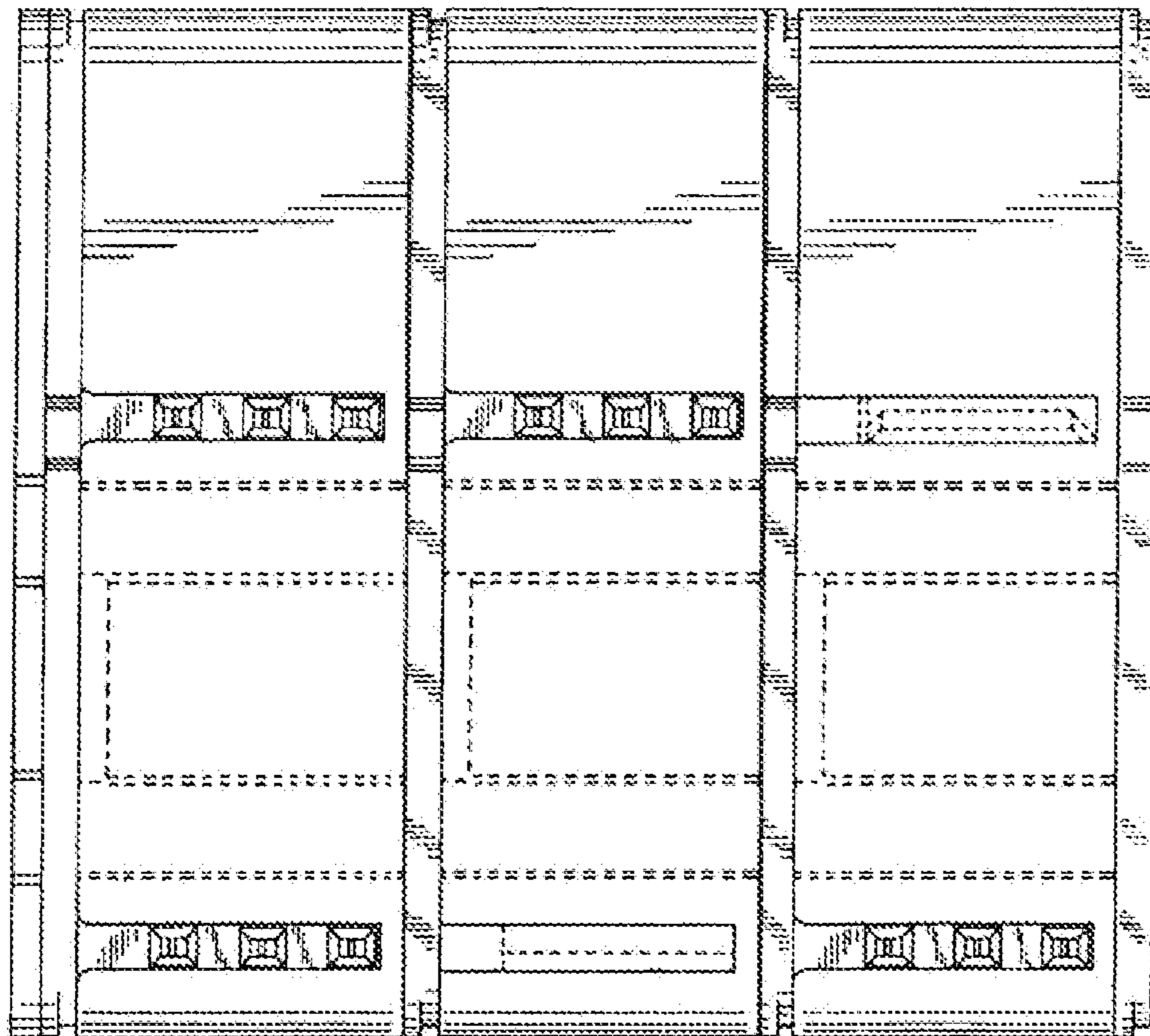


FIG. 6

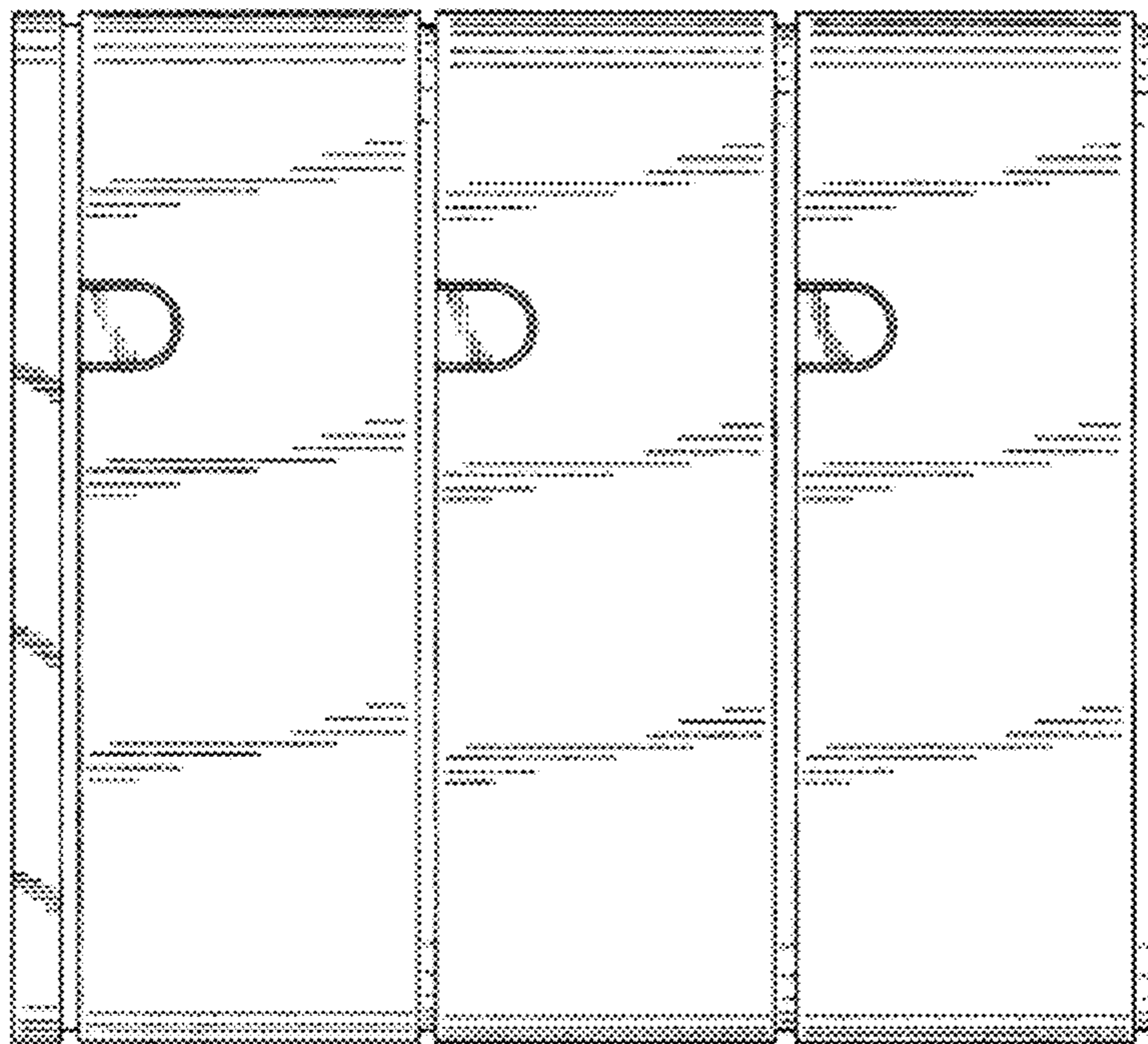


FIG. 7

