



US00D670652S

(12) **United States Design Patent**
Chen et al.

(10) **Patent No.:** **US D670,652 S**

(45) **Date of Patent:** **** Nov. 13, 2012**

(54) **OPTICAL FIBER CONNECTOR**

(75) Inventors: **Lin Chen**, Guangdong (CN); **Qiyue Wang**, Guangdong (CN)

(73) Assignee: **Sunsea Telecommunications Co., Ltd.**, Guangdong (CN)

(**) Term: **14 Years**

(21) Appl. No.: **29/415,571**

(22) Filed: **Mar. 12, 2012**

(30) **Foreign Application Priority Data**

Feb. 27, 2012 (CN) 2012 3 0039950

(51) **LOC (9) Cl.** **13-03**

(52) **U.S. Cl.** **D13/133**

(58) **Field of Classification Search** D13/133,
D13/147, 154, 184, 199; 385/55, 56, 59,
385/76, 77, 78, 88, 89

See application file for complete search history.

(56) **References Cited**

U.S. PATENT DOCUMENTS

5,293,581	A *	3/1994	DiMarco	385/76
5,481,634	A *	1/1996	Anderson et al.	385/76
D434,376	S *	11/2000	Connelly	D13/133
D481,680	S *	11/2003	Cheng et al.	D13/133
6,918,704	B2 *	7/2005	Marrs et al.	385/78
D523,396	S *	6/2006	Shiraishi et al.	D13/133
D528,505	S *	9/2006	Caveney et al.	D13/133

D603,796	S *	11/2009	Sticker et al.	D13/147
D619,100	S *	7/2010	Larson et al.	D13/154
8,070,367	B2 *	12/2011	Winberg et al.	385/81
2005/0213897	A1 *	9/2005	Palmer et al.	385/95

OTHER PUBLICATIONS

Zhong, Zhiyun, et al., U.S. Appl. No. 29/415,573, filed Mar. 12, 2012.

* cited by examiner

Primary Examiner — Daniel Bui

(74) *Attorney, Agent, or Firm* — Matthew W. Witsil; Moore & Van Allen PLLC

(57) **CLAIM**

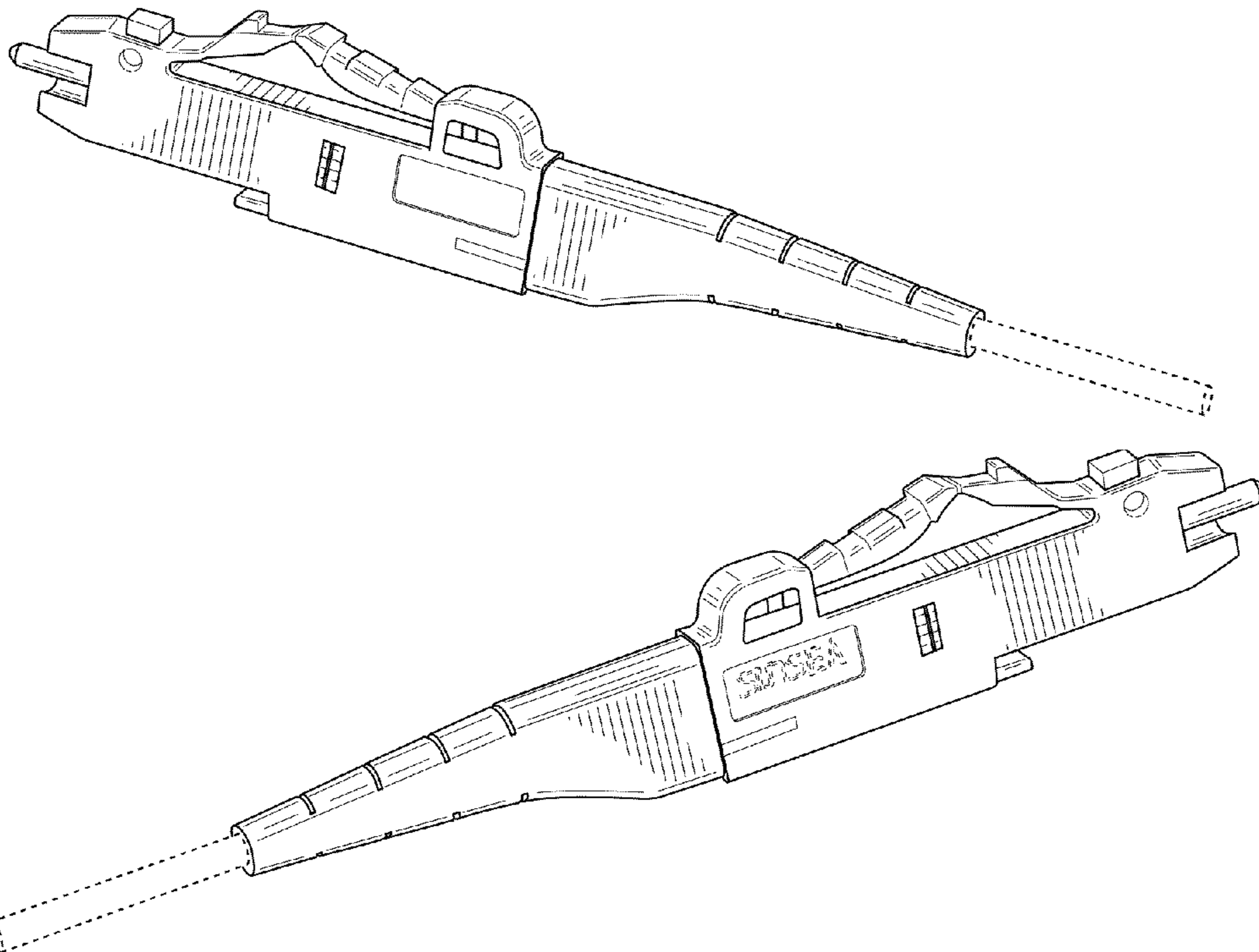
The ornamental design for an optical fiber connector, as shown and described.

DESCRIPTION

FIG. 1 is a right side perspective view of an optical fiber connector showing our new design; FIG. 2 is a left side perspective view thereof; FIG. 3 is a right side view thereof; FIG. 4 is a left side view thereof; FIG. 5 is a rear view thereof; FIG. 6 is a front view thereof; FIG. 7 is a top view thereof; and, FIG. 8 is a bottom view thereof.

The broken lines in the drawings, including but not limited to logos and written matter, are included for the purpose of illustrating environment and form no part of the claimed design.

1 Claim, 4 Drawing Sheets



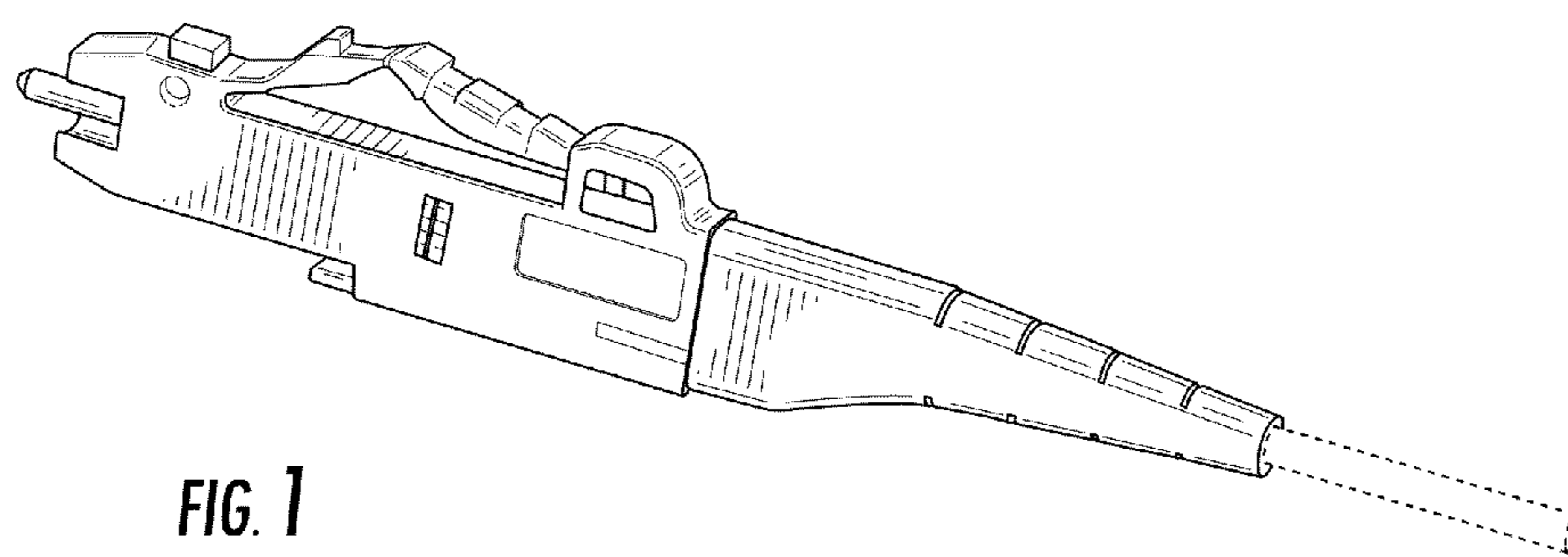


FIG. 1

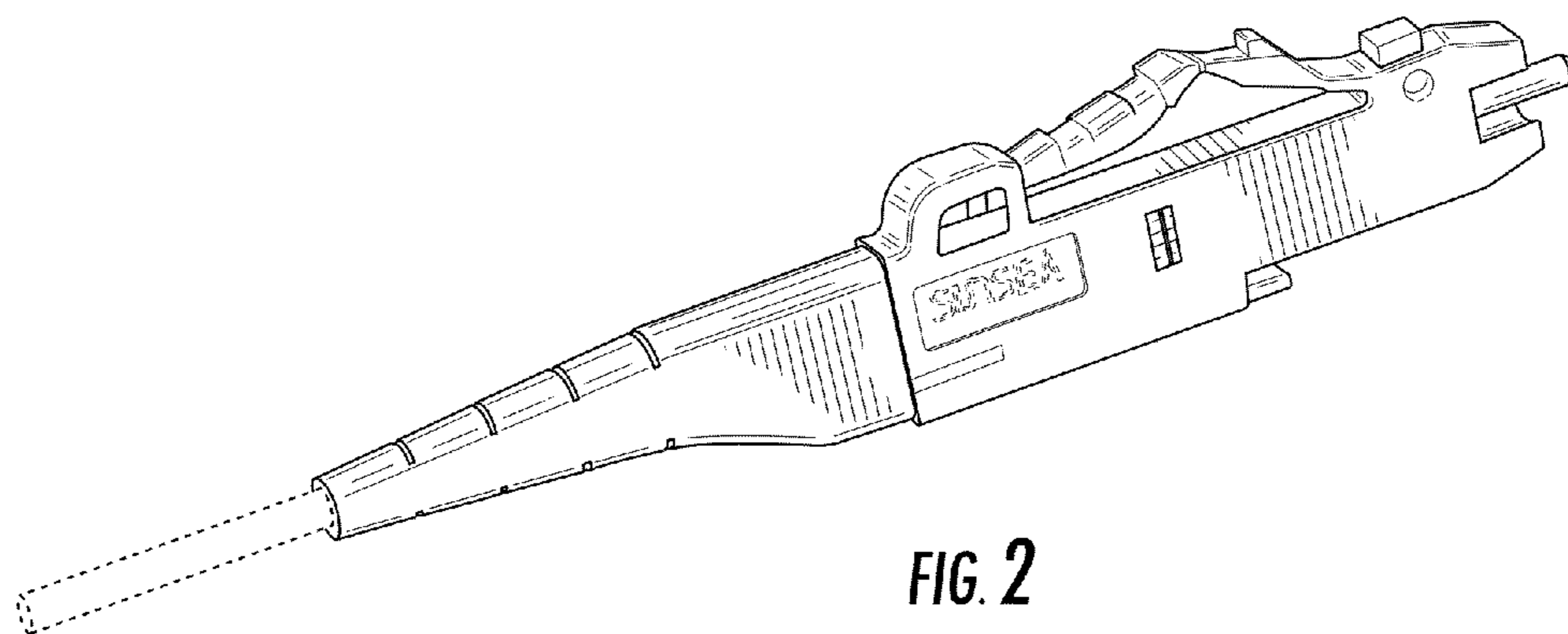


FIG. 2

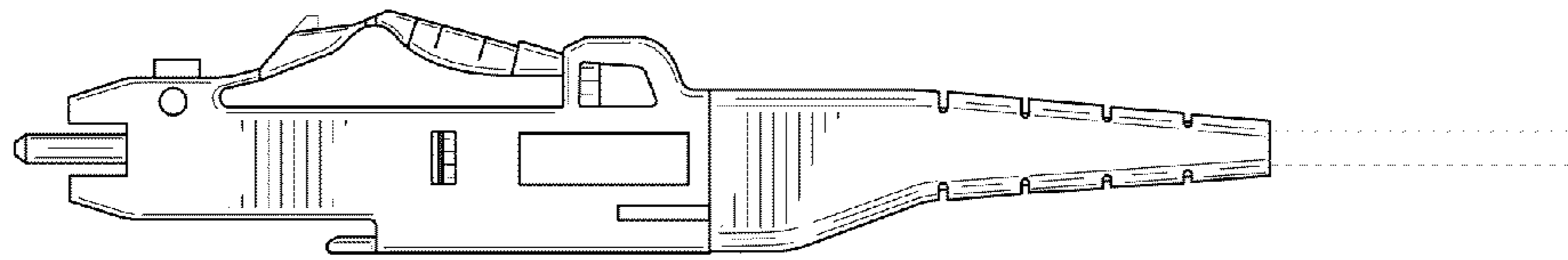


FIG. 3

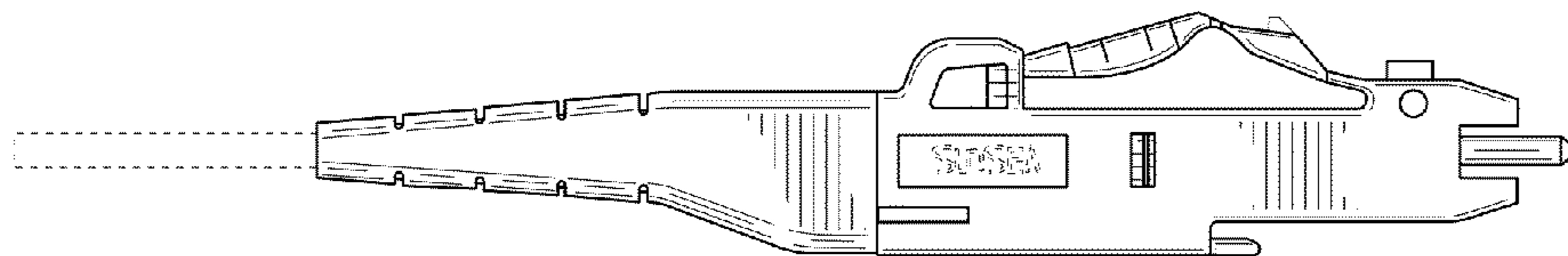


FIG. 4

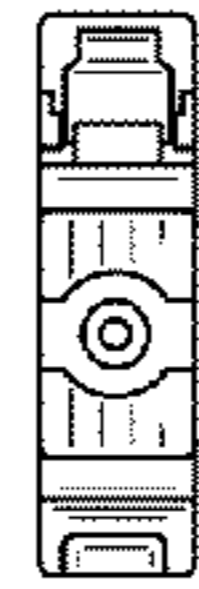


FIG. 5



FIG. 6



FIG. 7



FIG. 8