



US00D670649S

(12) **United States Design Patent**  
**Ebihara**

(10) **Patent No.:** **US D670,649 S**

(45) **Date of Patent:** **\*\* Nov. 13, 2012**

(54) **SOCKET CONNECTOR**

(75) Inventor: **Hiroyuki Ebihara**, Tokyo (JP)

(73) Assignee: **Japan Aviation Electronics Industry, Limited**, Tokyo (JP)

(\*\*) Term: **14 Years**

(21) Appl. No.: **29/387,090**

(22) Filed: **Mar. 9, 2011**

(30) **Foreign Application Priority Data**

Dec. 17, 2010 (JP) ..... 2010-030271

(51) **LOC (9) Cl.** ..... **13-03**

(52) **U.S. Cl.** ..... **D13/133**

(58) **Field of Classification Search** ..... D13/133,  
D13/146, 147, 154, 184, 199; 439/135, 149,  
439/152-153, 159-160, 180, 246, 249, 252,  
439/266, 270, 278-279, 283, 299, 332, 344,  
439/374, 378-379, 445, 447, 476.1, 483,  
439/527, 578, 585, 892, 894, 901, 903, 923,  
439/948, 954

See application file for complete search history.

(56) **References Cited**

U.S. PATENT DOCUMENTS

D336,070	S	*	6/1993	Clark	.....	D13/133
D626,068	S	*	10/2010	Giefers et al.	.....	D13/133
D626,506	S	*	11/2010	Giefers et al.	.....	D13/133
D647,480	S	*	10/2011	Ohmori	.....	D13/133
D647,481	S	*	10/2011	Ohmori	.....	D13/133
D647,849	S	*	11/2011	Yu	.....	D13/133

\* cited by examiner

*Primary Examiner* — Daniel Bui

(74) *Attorney, Agent, or Firm* — Cermak Nakajima LLP;  
Tomoko Nakajima

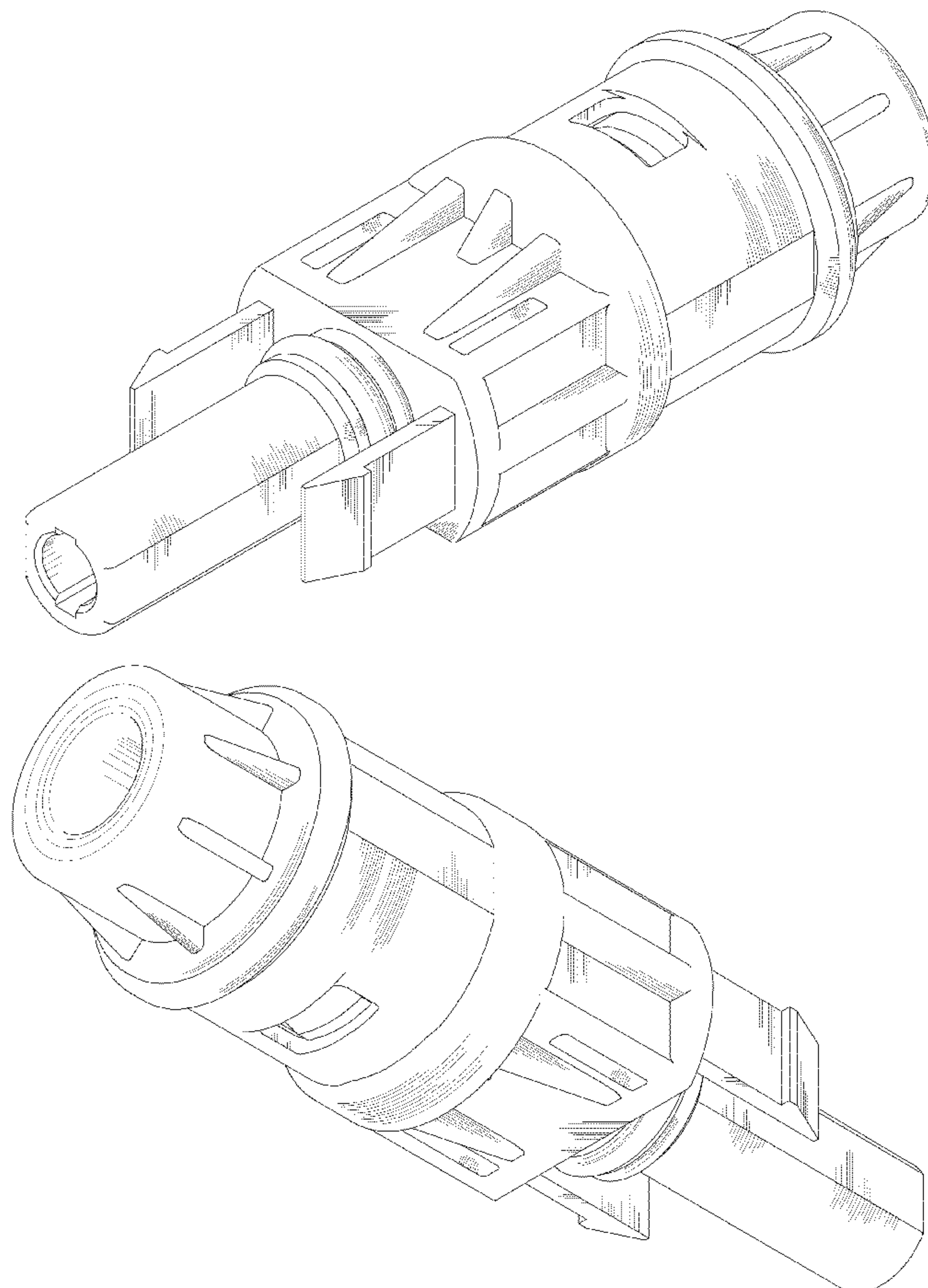
(57) **CLAIM**

The ornamental design for a socket connector, as shown.

**DESCRIPTION**

FIG. 1 is a front elevational view of a socket connector showing my new design;  
FIG. 2 is a top plan view thereof;  
FIG. 3 is a right side elevational view thereof;  
FIG. 4 is a left side elevational view thereof;  
FIG. 5 is a rear elevational view thereof;  
FIG. 6 is a bottom plan view thereof;  
FIG. 7 is a top perspective view thereof; and,  
FIG. 8 is a bottom perspective view thereof.

**1 Claim, 8 Drawing Sheets**



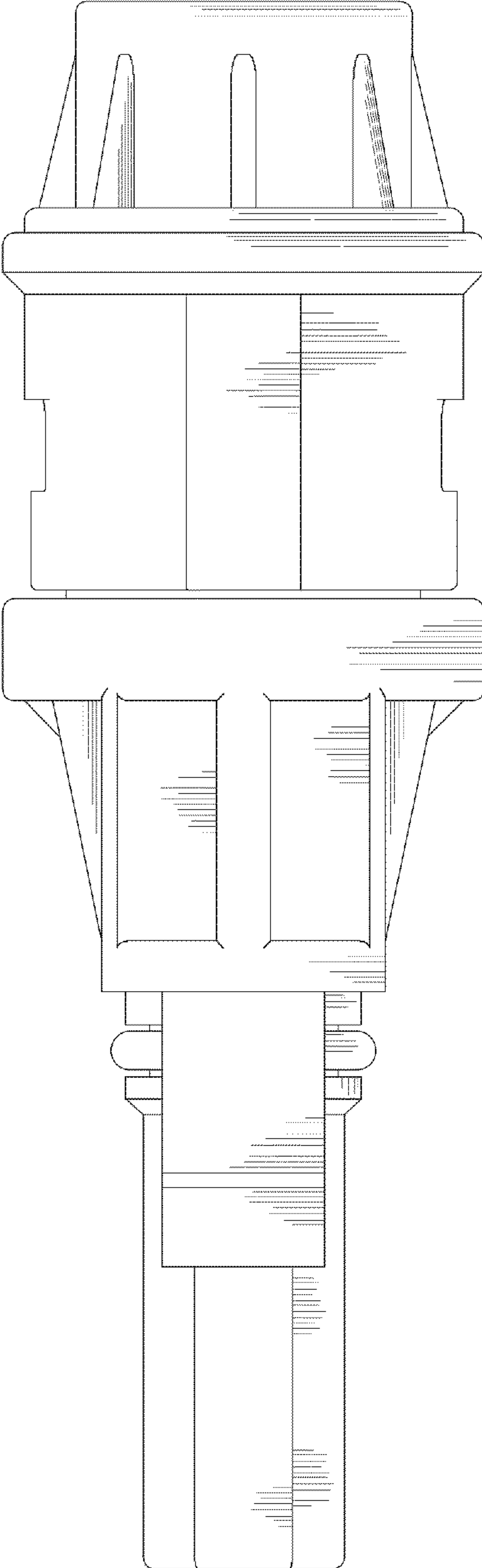


FIG.1

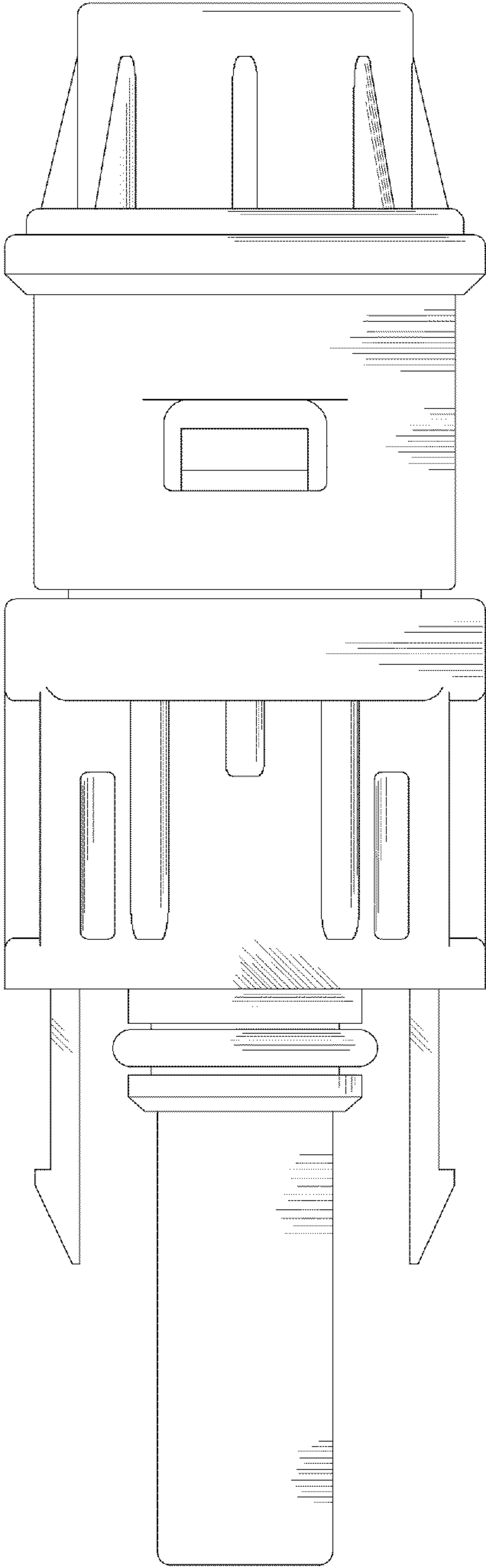


FIG.2

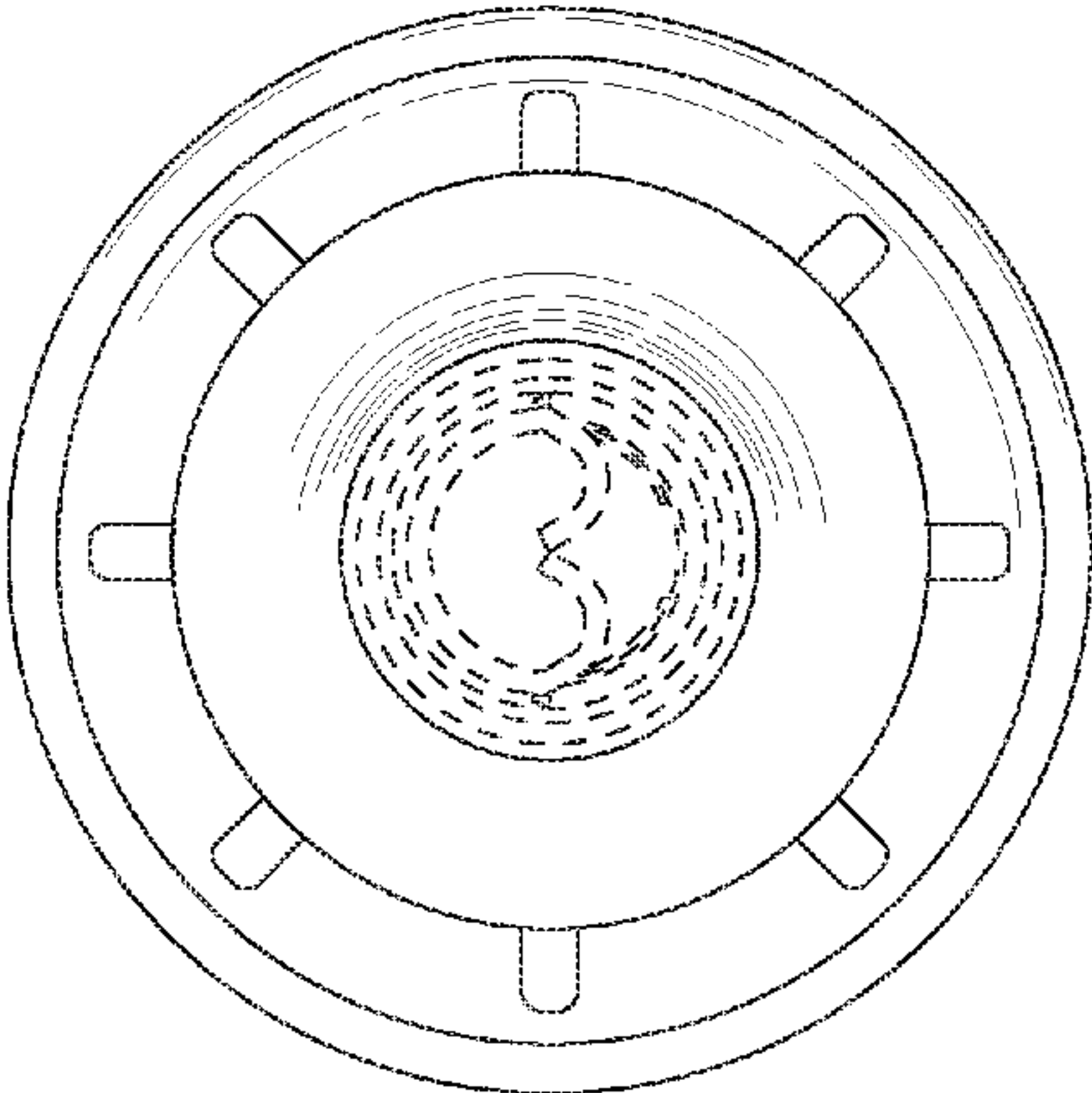


FIG.3

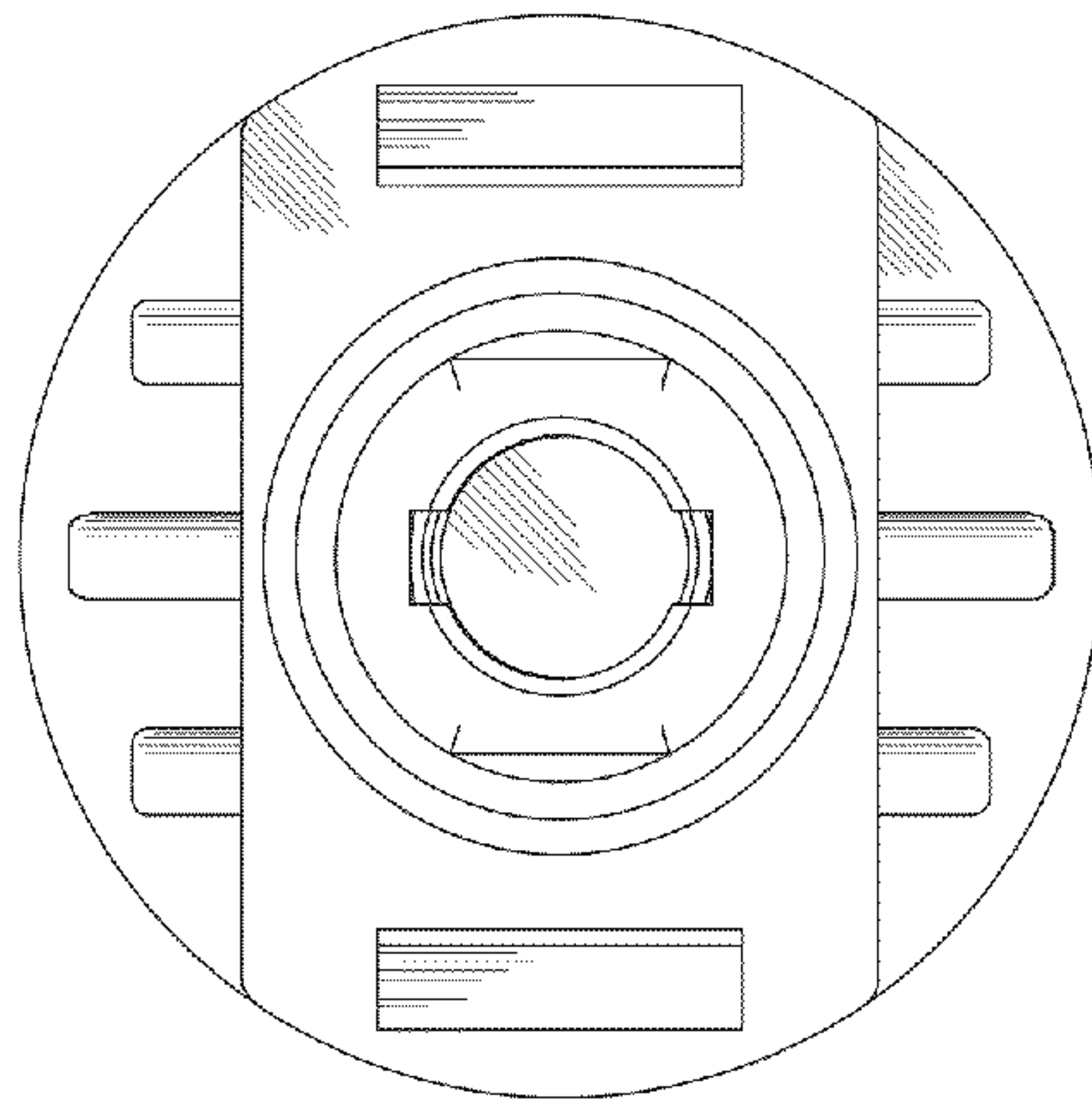


FIG.4

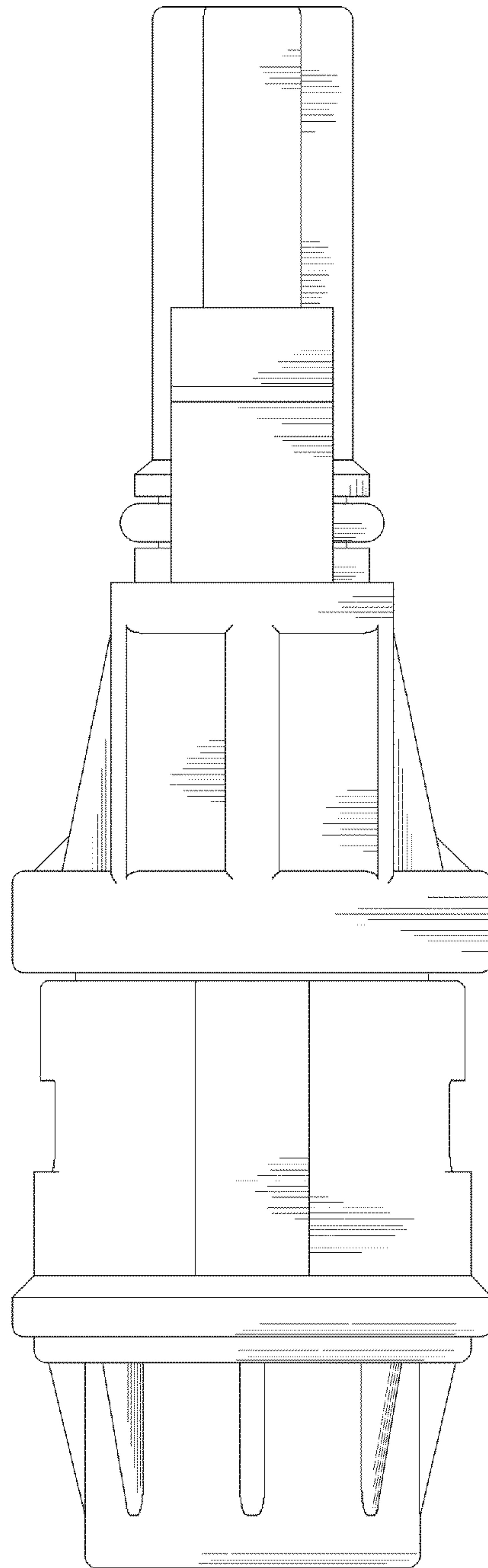


FIG.5

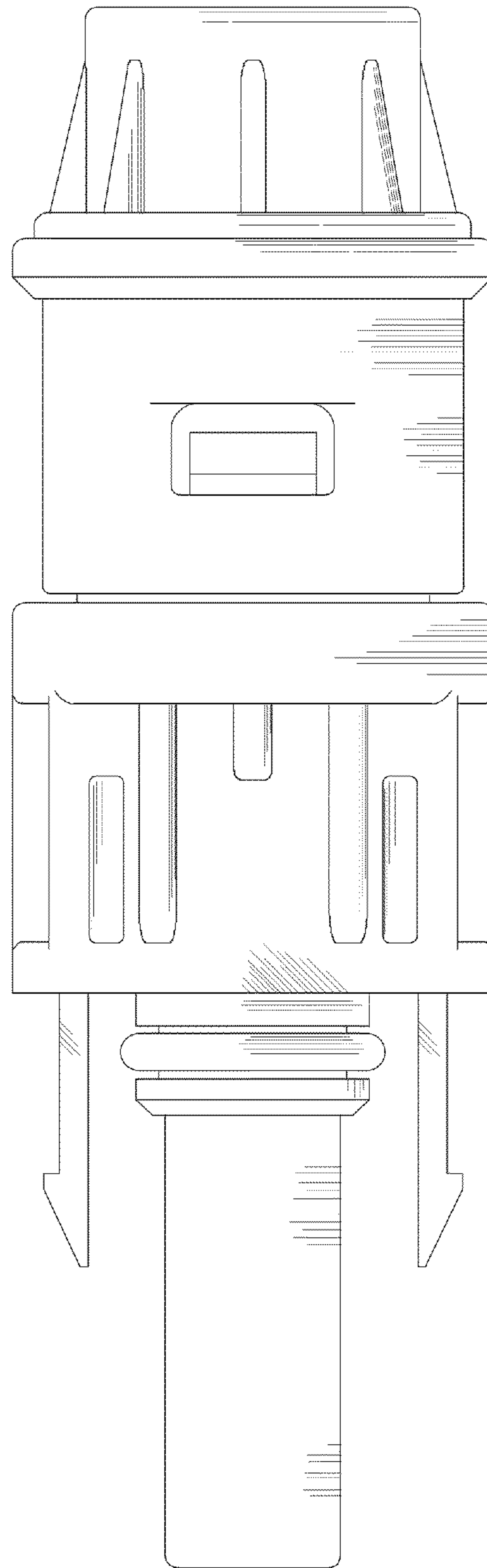


FIG.6



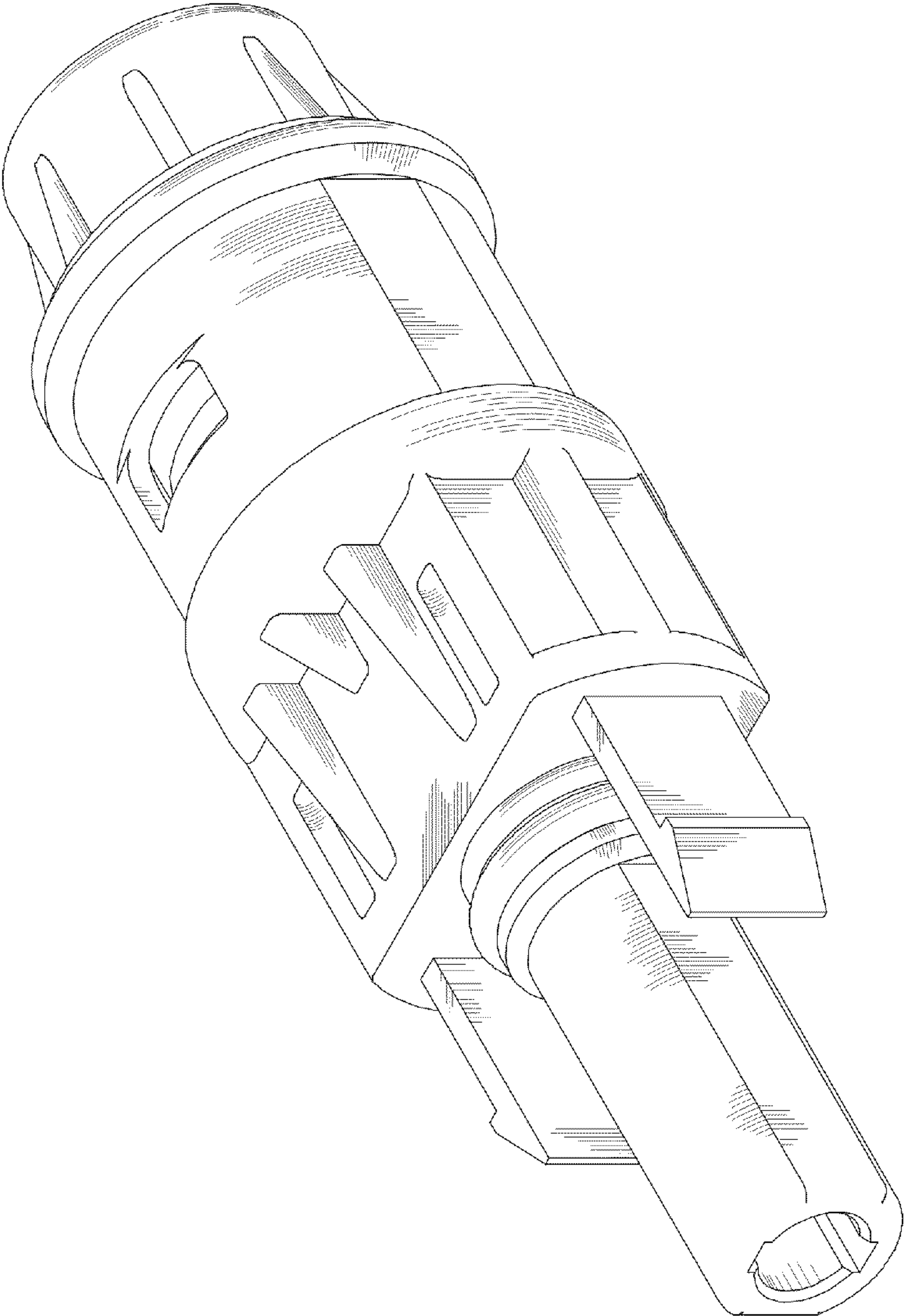


FIG. 7



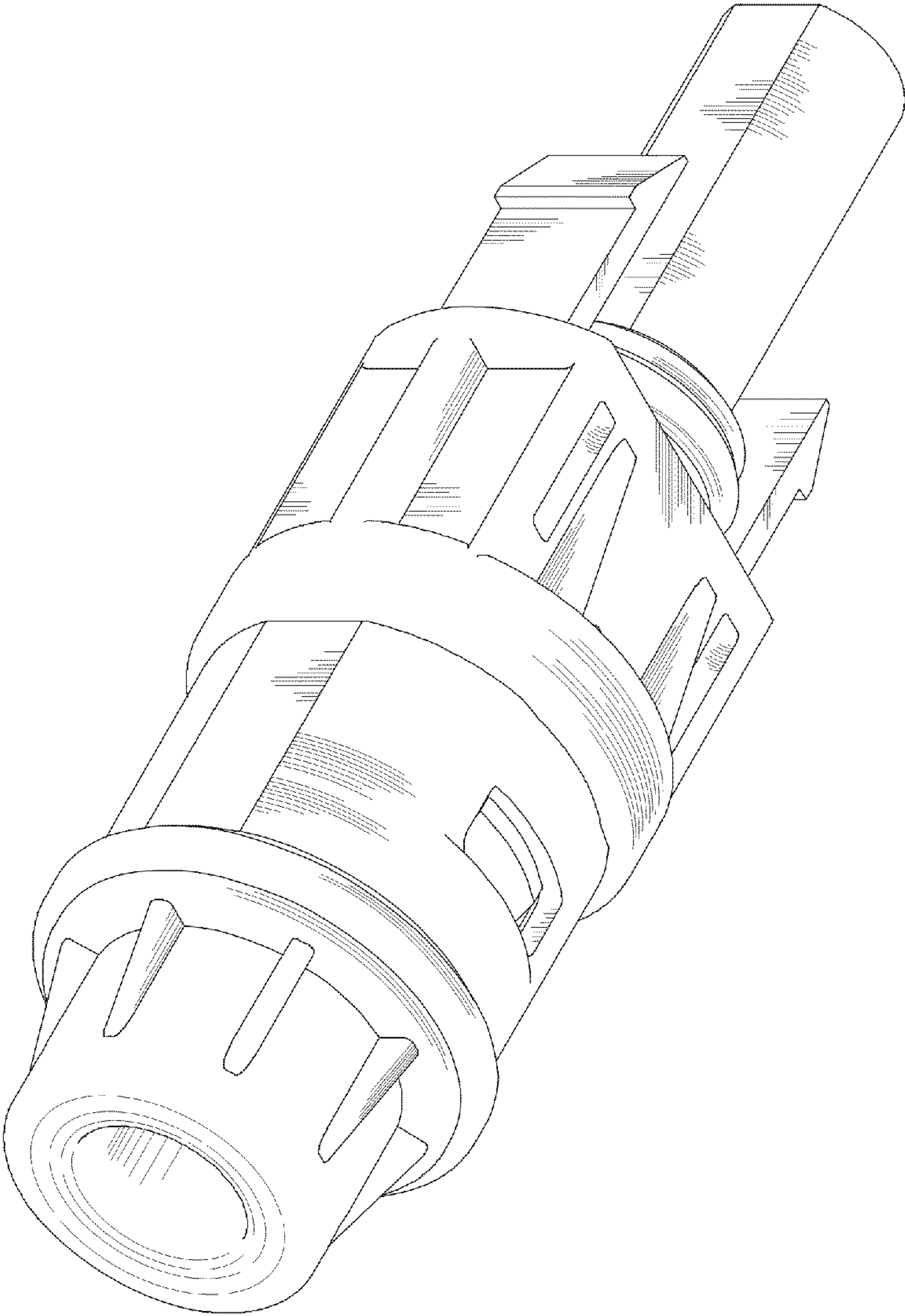


FIG.8