



US00D670645S

(12) **United States Design Patent**  
**Qian et al.**

(10) **Patent No.:** **US D670,645 S**

(45) **Date of Patent:** **\*\* Nov. 13, 2012**

(54) **FOLDABLE SOLAR POWER BOX**

(75) Inventors: **Yan Qian**, Changzhou (CN); **Lingxiao Liao**, Changzhou (CN); **Lili Xu**, Changzhou (CN); **Xuejun Mao**, Changzhou (CN)

(73) Assignee: **Changzhou Nesl Solartech Co., Ltd.**, Jiangsu (CN)

(\*\*) Term: **14 Years**

(21) Appl. No.: **29/412,724**

(22) Filed: **Feb. 7, 2012**

(30) **Foreign Application Priority Data**

Aug. 26, 2011 (CN) ..... 2011 3 0293900

(51) **LOC (9) Cl.** ..... **13-02**

(52) **U.S. Cl.** ..... **D13/102**

(58) **Field of Classification Search** ..... D13/102,  
D13/101, 103, 107, 108, 199; 136/206, 243,  
136/244, 245, 252; 320/101, 102, 114, 115,  
320/120

See application file for complete search history.

(56) **References Cited**

**U.S. PATENT DOCUMENTS**

5,522,943 A \* 6/1996 Spencer et al. .... 136/245  
D391,921 S \* 3/1998 Zimmer et al. .... D13/102  
D479,191 S \* 9/2003 Peress et al. .... D13/102

6,650,085 B2 \* 11/2003 Lau et al. .... 320/101  
D489,680 S \* 5/2004 Stobart ..... D13/107  
D493,768 S \* 8/2004 Lam ..... D13/102  
D528,501 S \* 9/2006 Lam ..... D13/102  
D534,861 S \* 1/2007 Lam ..... D13/102  
D536,299 S \* 2/2007 Lam ..... D13/102

\* cited by examiner

*Primary Examiner* — Derrick Holland

(74) *Attorney, Agent, or Firm* — Renner, Otto, Boisselle & Sklar LLP

(57) **CLAIM**

The ornamental design for a foldable solar power box, as shown and described.

**DESCRIPTION**

FIG. 1 is a front view of a foldable solar power box in a closed position showing our design.

FIG. 2 is a back view thereof.

FIG. 3 is a right side view thereof.

FIG. 4 is a left side view thereof.

FIG. 5 is a top view thereof.

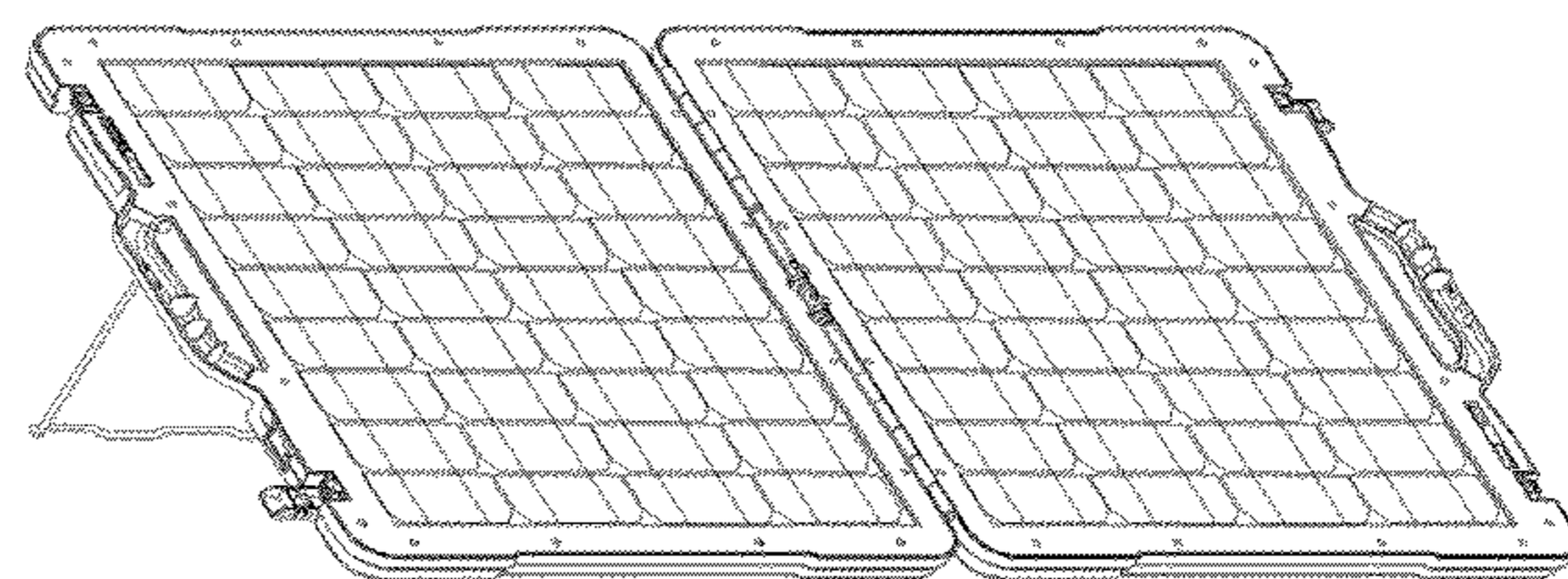
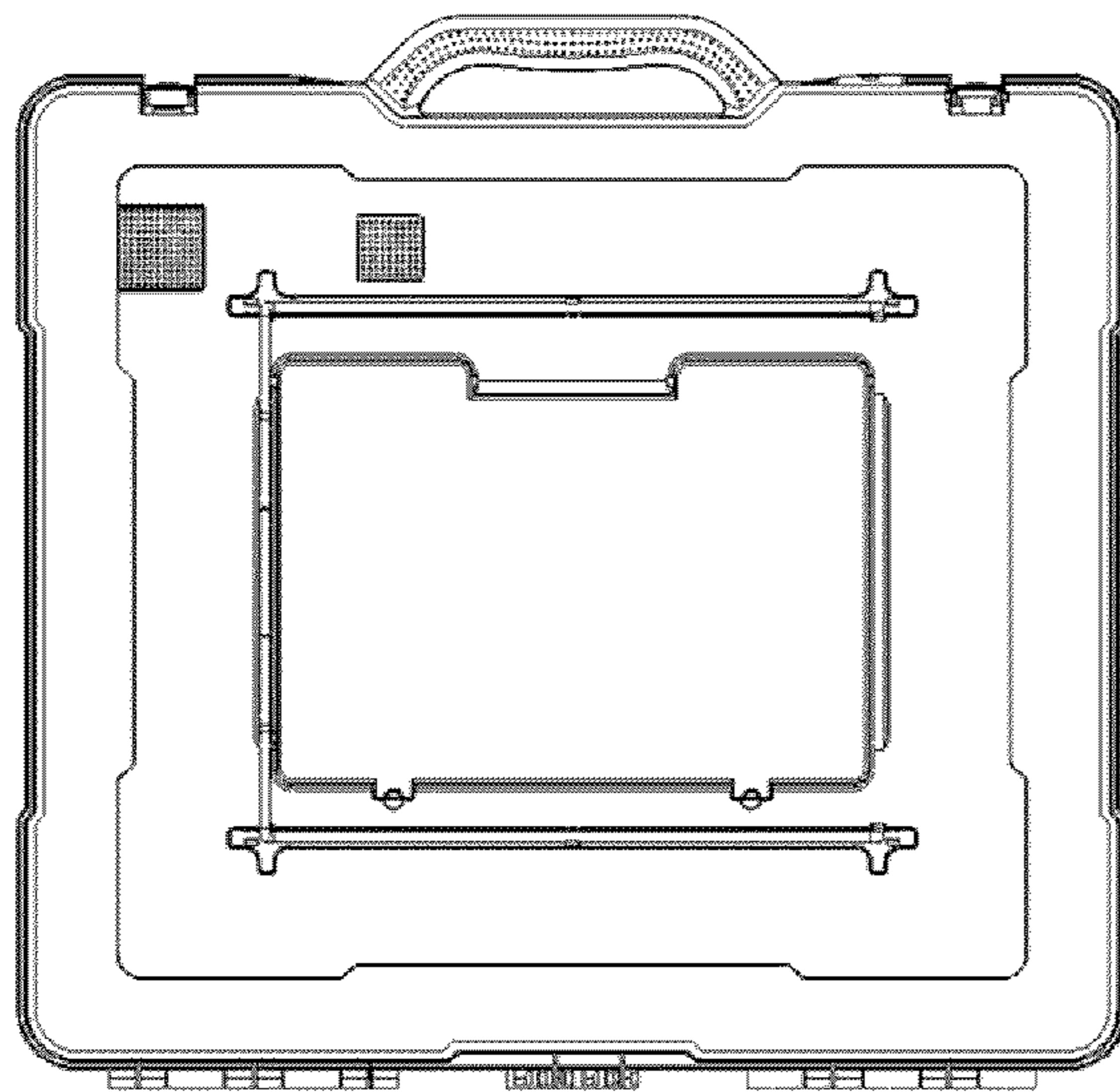
FIG. 6 is a bottom view thereof.

FIG. 7 is a perspective view of the inside of the foldable solar power box in an opened position; and,

FIG. 8 is a perspective view of the outside of the foldable solar power box in the opened position.

The stippling shown in FIGS. 1, 2 and 8 represents surface treatment.

**1 Claim, 5 Drawing Sheets**



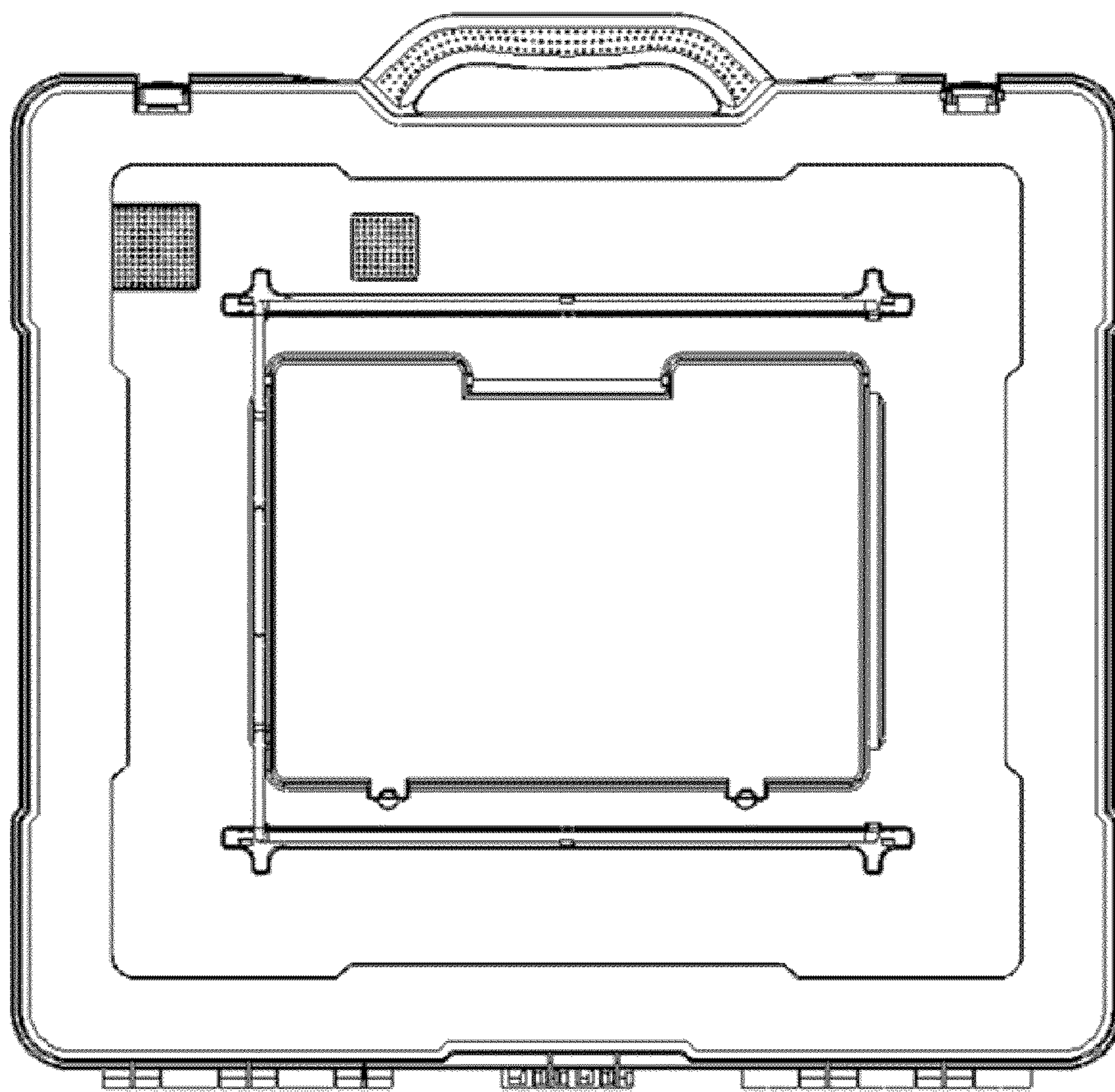


FIG. 1

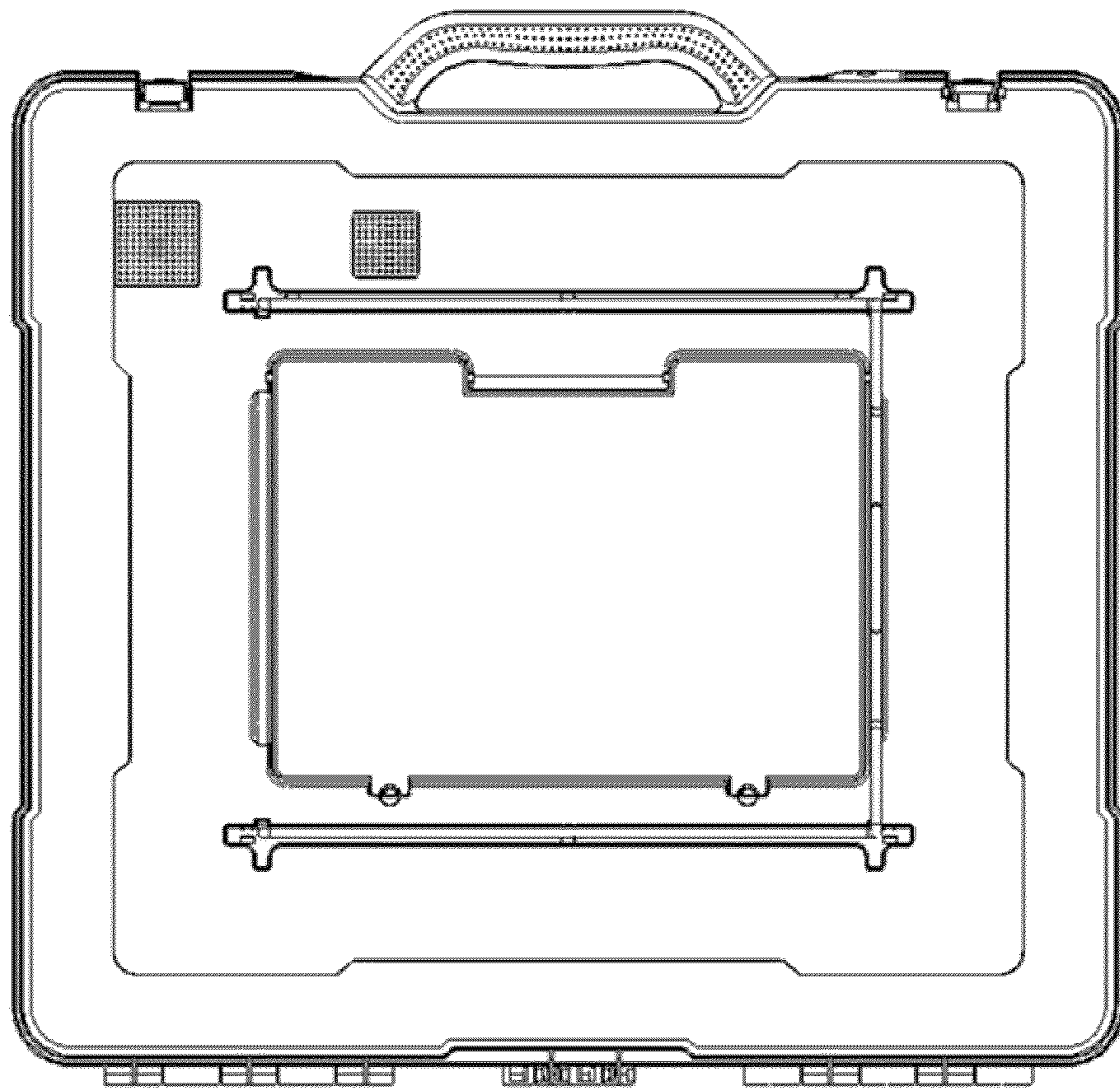


FIG. 2

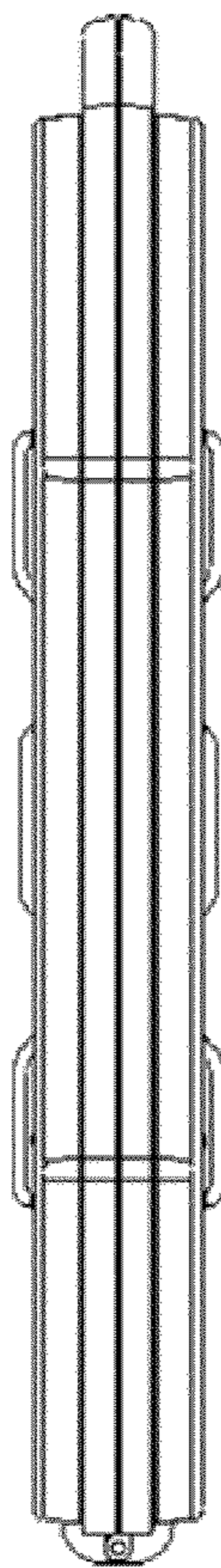


FIG. 3

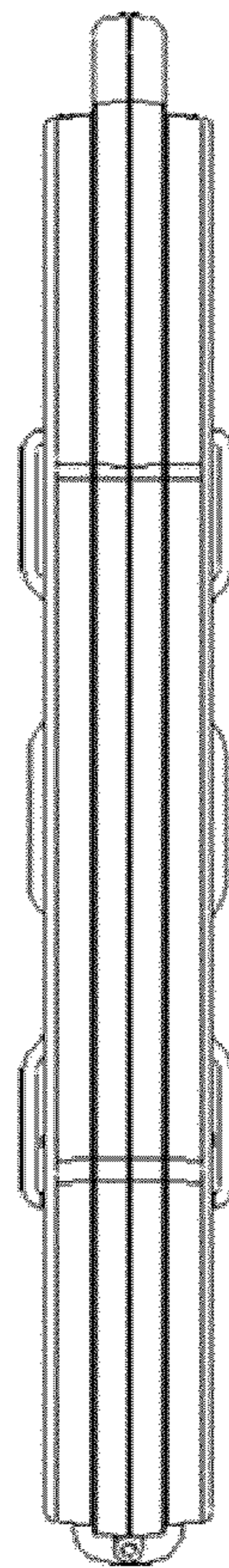


FIG. 4

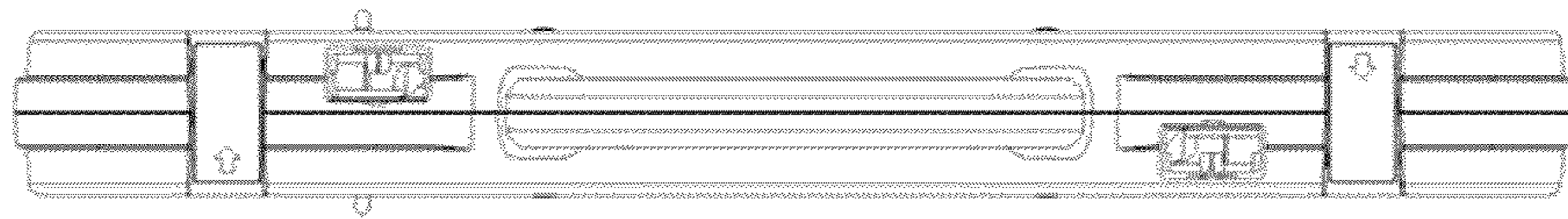


FIG. 5

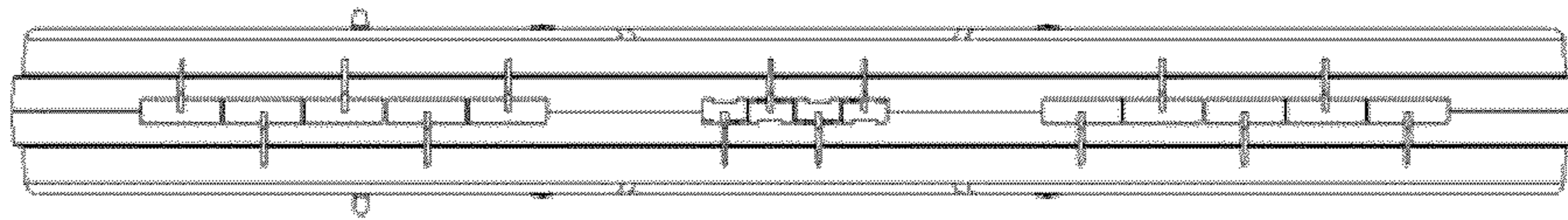


FIG. 6

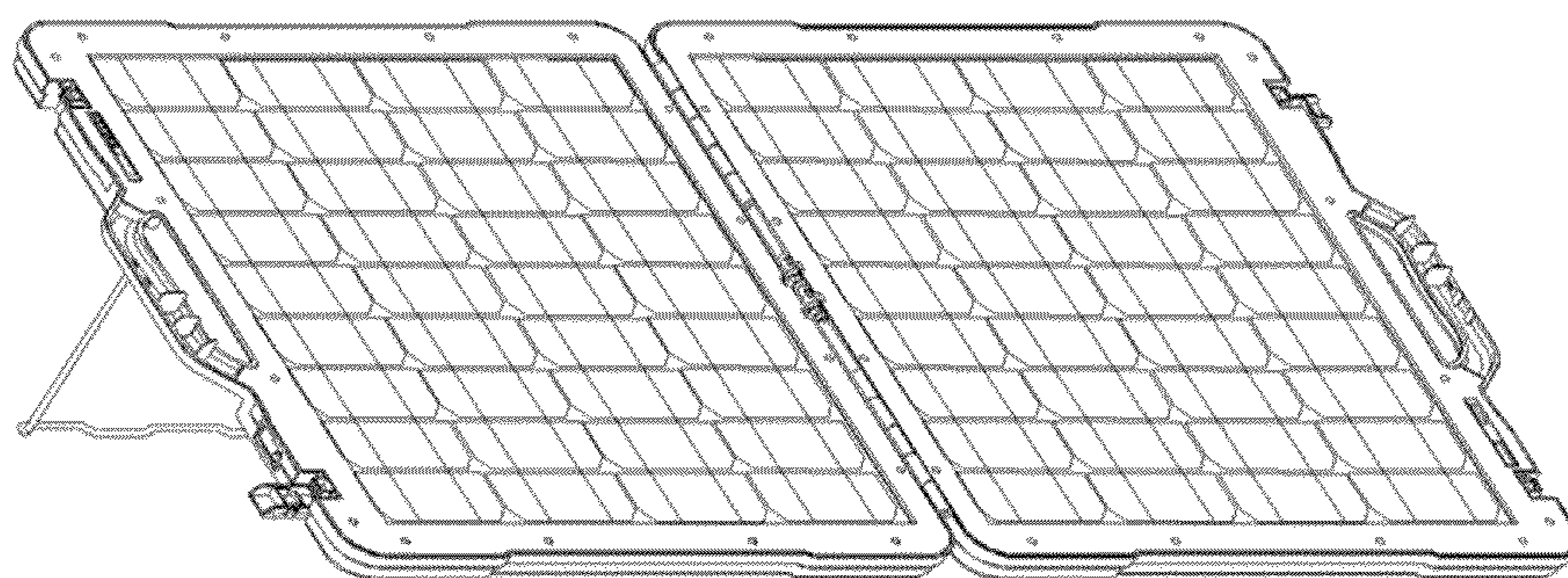


FIG. 7

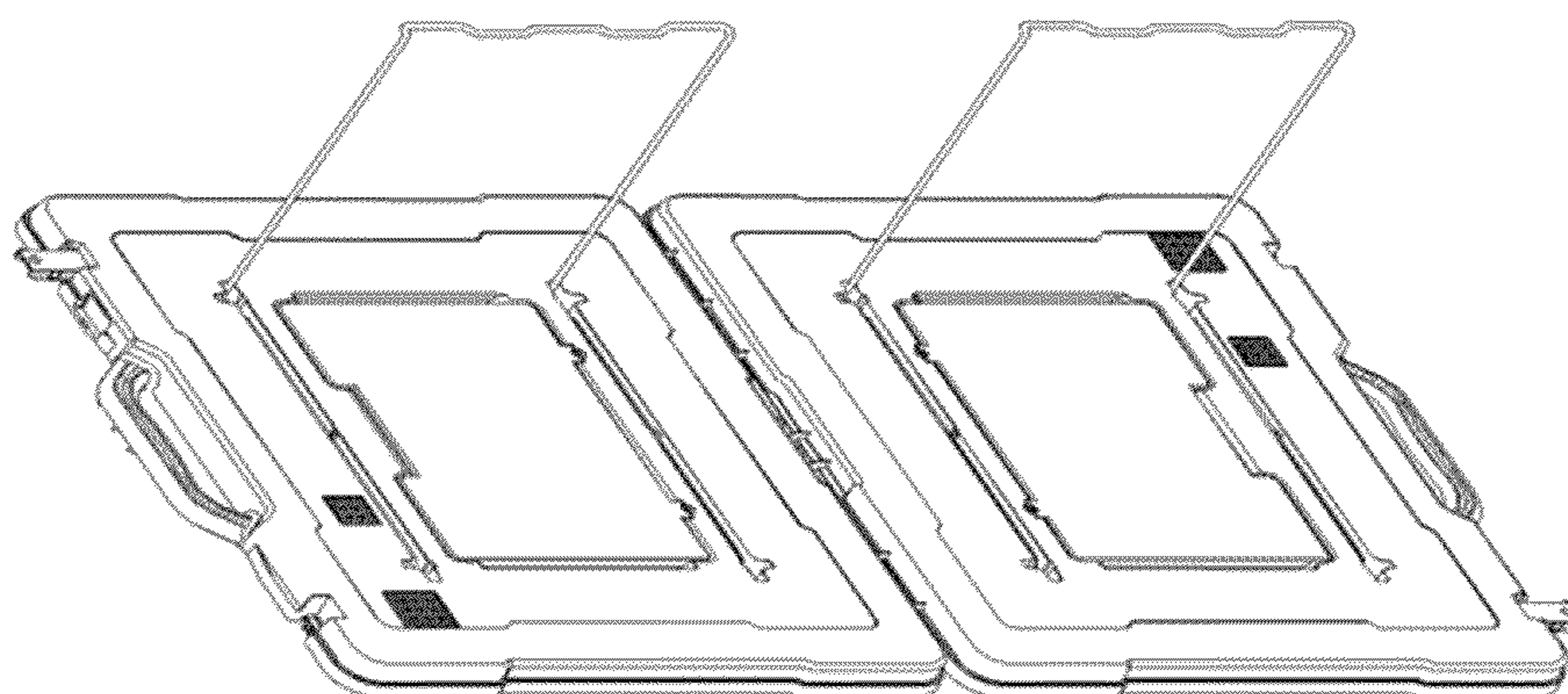


FIG. 8