



US00D670644S

(12) **United States Design Patent**
Miyazaki

(10) **Patent No.:** **US D670,644 S**
(45) **Date of Patent:** **** Nov. 13, 2012**

(54) **TIRE**

(75) Inventor: **Tetsuji Miyazaki**, Osaka (JP)

(73) Assignee: **Toyo Tire & Rubber Co., Ltd.**, Osaka (JP)

(**) Term: **14 Years**

(21) Appl. No.: **29/426,100**

(22) Filed: **Jun. 29, 2012**

(30) **Foreign Application Priority Data**

Apr. 18, 2012 (JP) 2012-009076

(51) **LOC (9) Cl.** **12-15**

(52) **U.S. Cl.** **D12/605**

(58) **Field of Classification Search** D12/500-501,
D12/544, 579, 600-605; 152/523-524, DIG. 12,
152/555; D7/588, 396.4-396.5
See application file for complete search history.

(56) **References Cited**

U.S. PATENT DOCUMENTS

D541,211 S *	4/2007	Shondel et al.	D12/605
D610,978 S *	3/2010	Harvey et al.	D12/605
D626,502 S *	11/2010	Nakamura	D12/605
D632,641 S *	2/2011	Sato	D12/605
D647,044 S *	10/2011	Takemoto	D12/605
D662,039 S *	6/2012	Miyasaka et al.	D12/605

FOREIGN PATENT DOCUMENTS

JP	D1309755	9/2007
JP	D1333521	6/2008

* cited by examiner

Primary Examiner — Stacia Cadmus

(74) *Attorney, Agent, or Firm* — Sterne, Kessler, Goldstein & Fox PLLC

(57) **CLAIM**

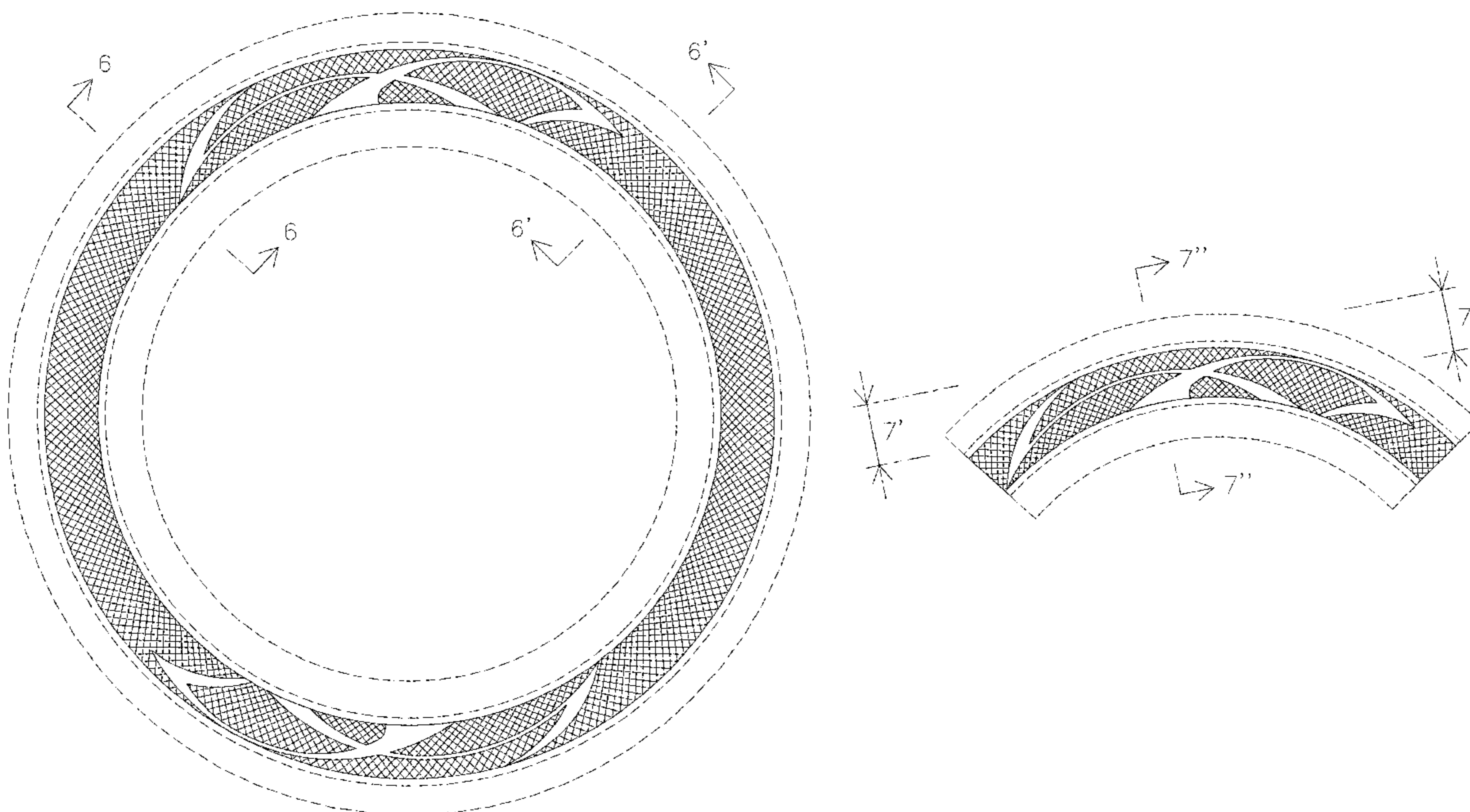
The ornamental design for a tire, as shown and described.

DESCRIPTION

FIG. 1 is a perspective view of a tire showing my new design; FIG. 2 is a front view thereof; FIG. 3 is a rear view thereof; FIG. 4 is a top plan view thereof, for which the bottom plan view is a mirror image; FIG. 5 is a left side view thereof, for which the right side view is a mirror image; FIG. 6 is an enlarged view taken along lines 6-6 and 6'-6' in FIG. 2; and, FIG. 7 is a cross-sectional view taken along line 7-7 in FIG. 4 and lines 7'-7' and 7''-7'' in FIG. 6.

In the drawings, the broken lines showing portions of the tire tread, sidewall, and inner bead depict environmental subject matter that forms no part of the claimed design.

1 Claim, 7 Drawing Sheets



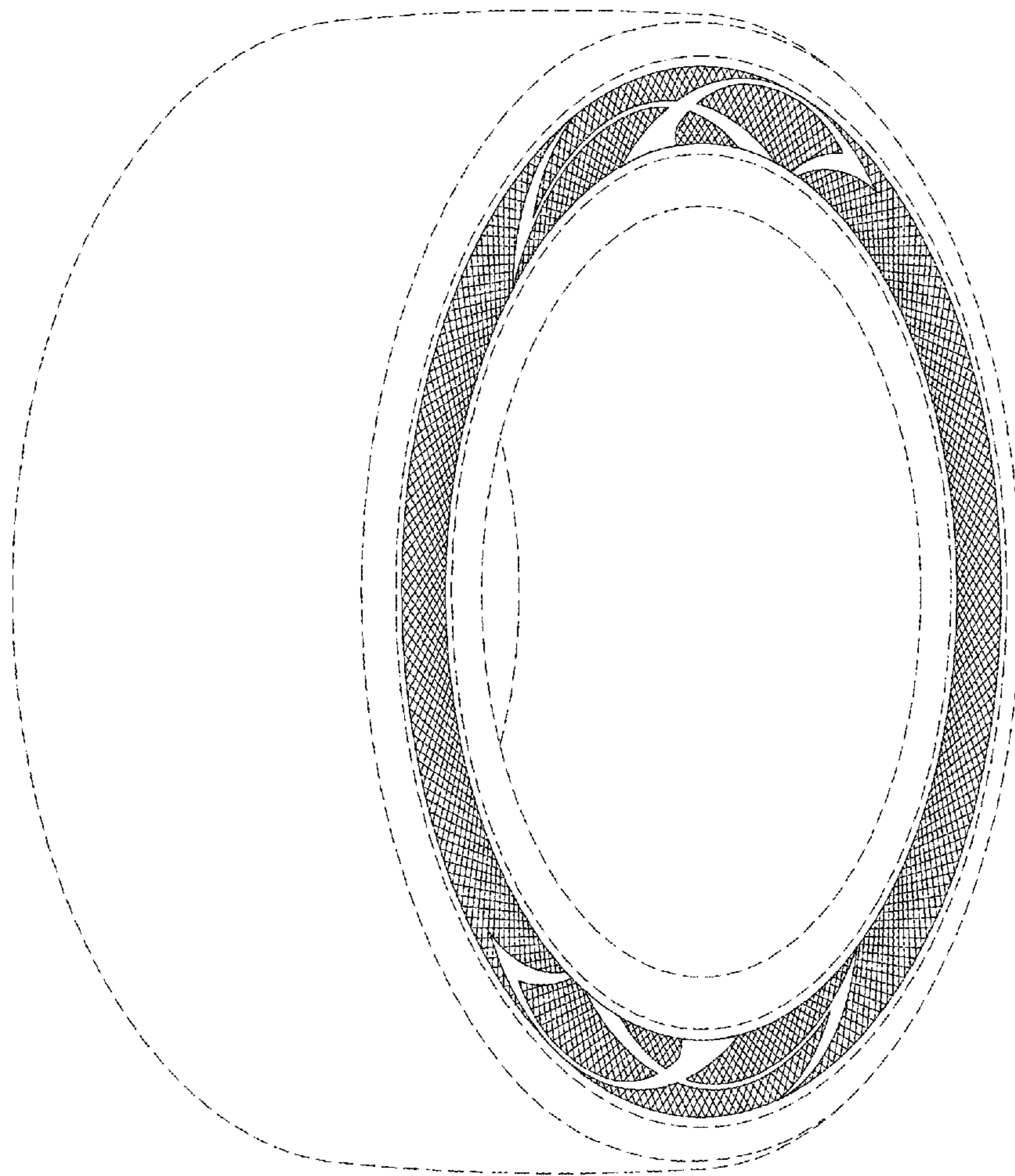


FIG. 1

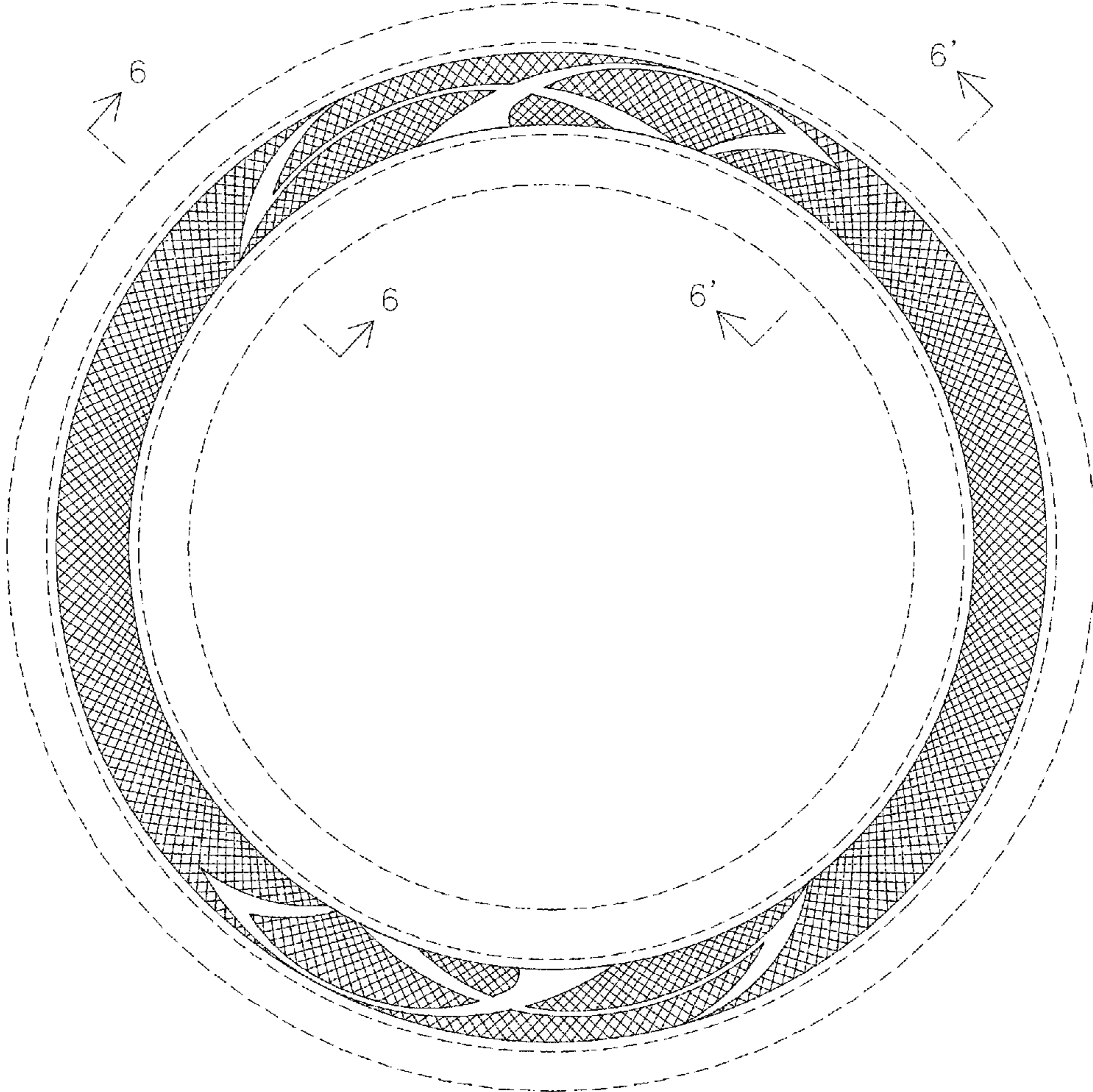


FIG. 2

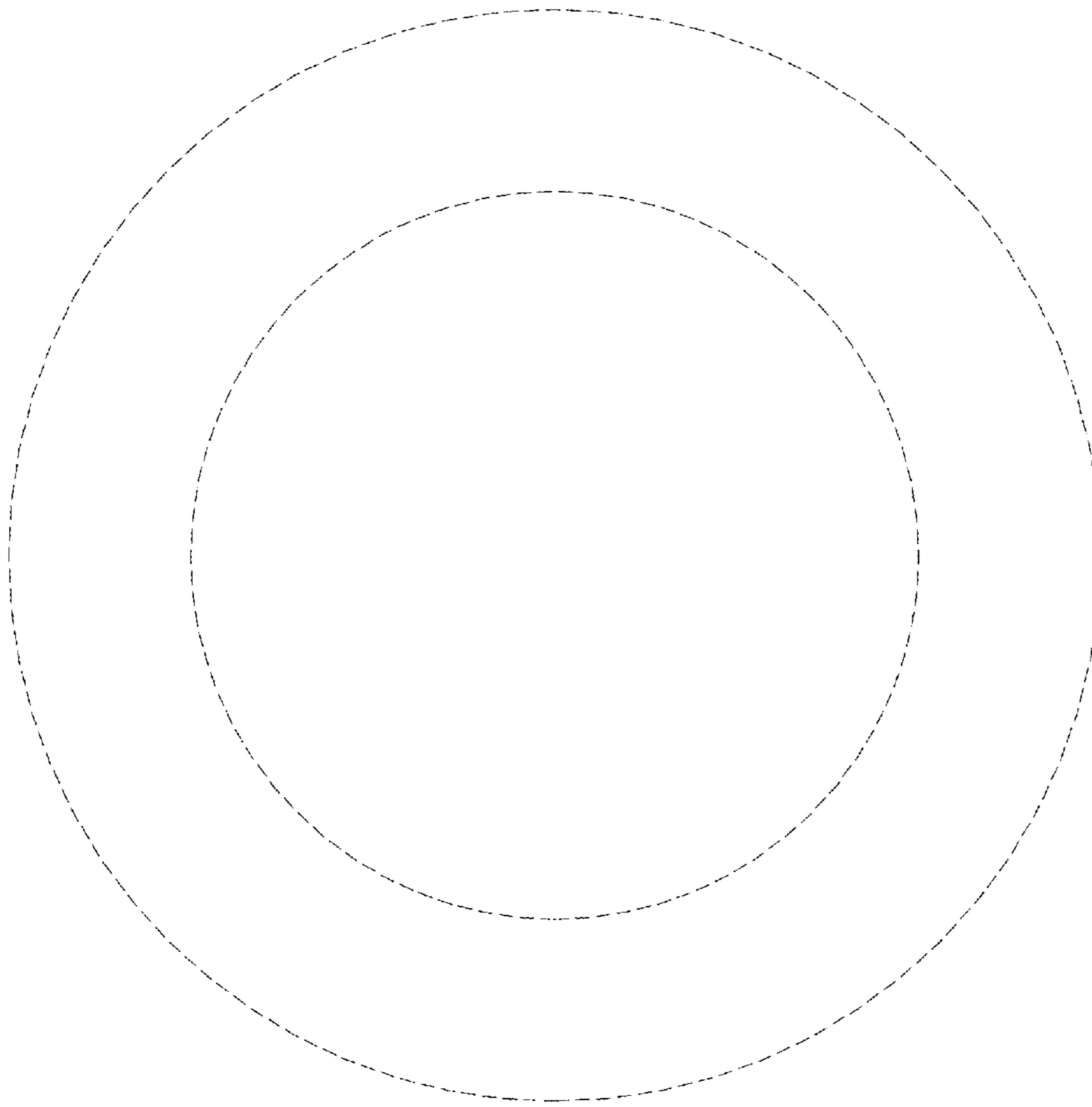


FIG. 3

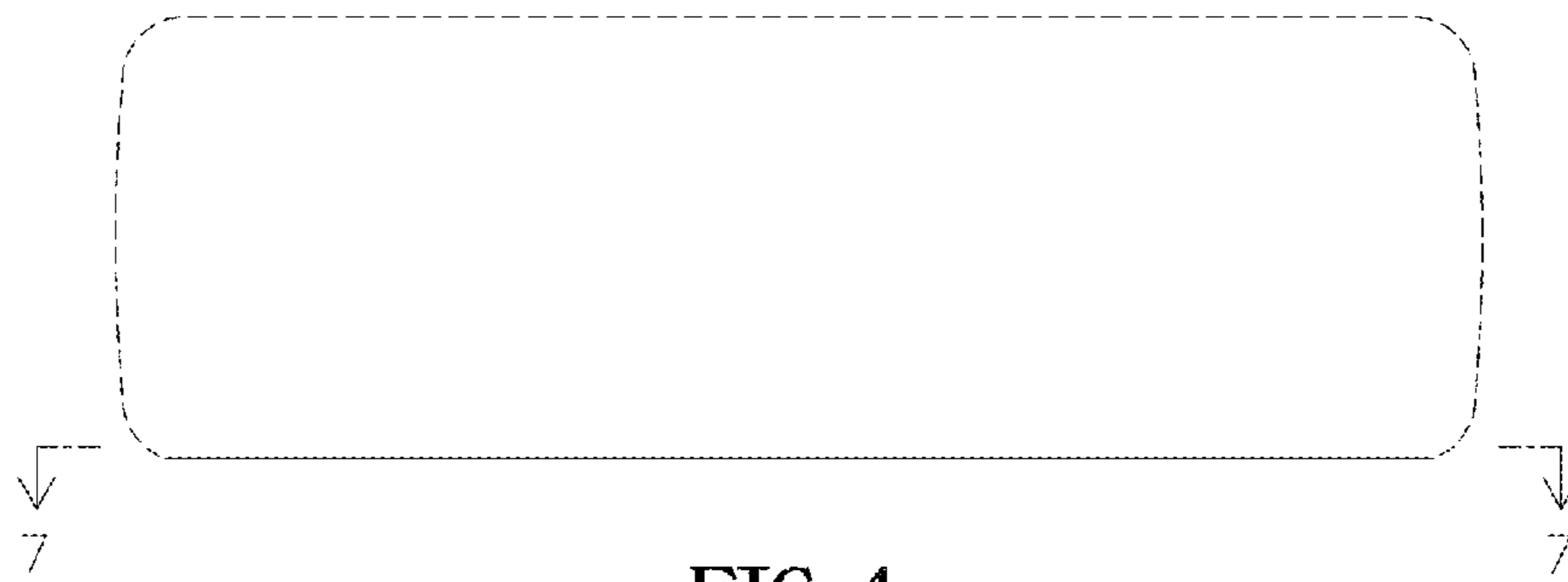


FIG. 4

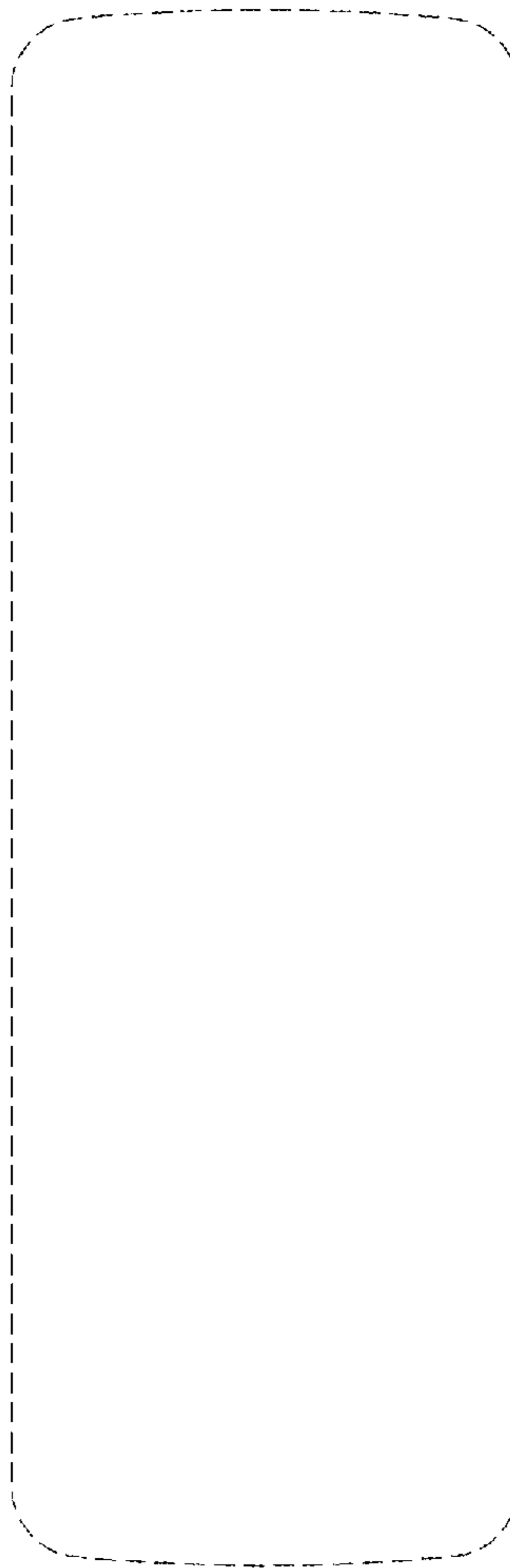


FIG. 5

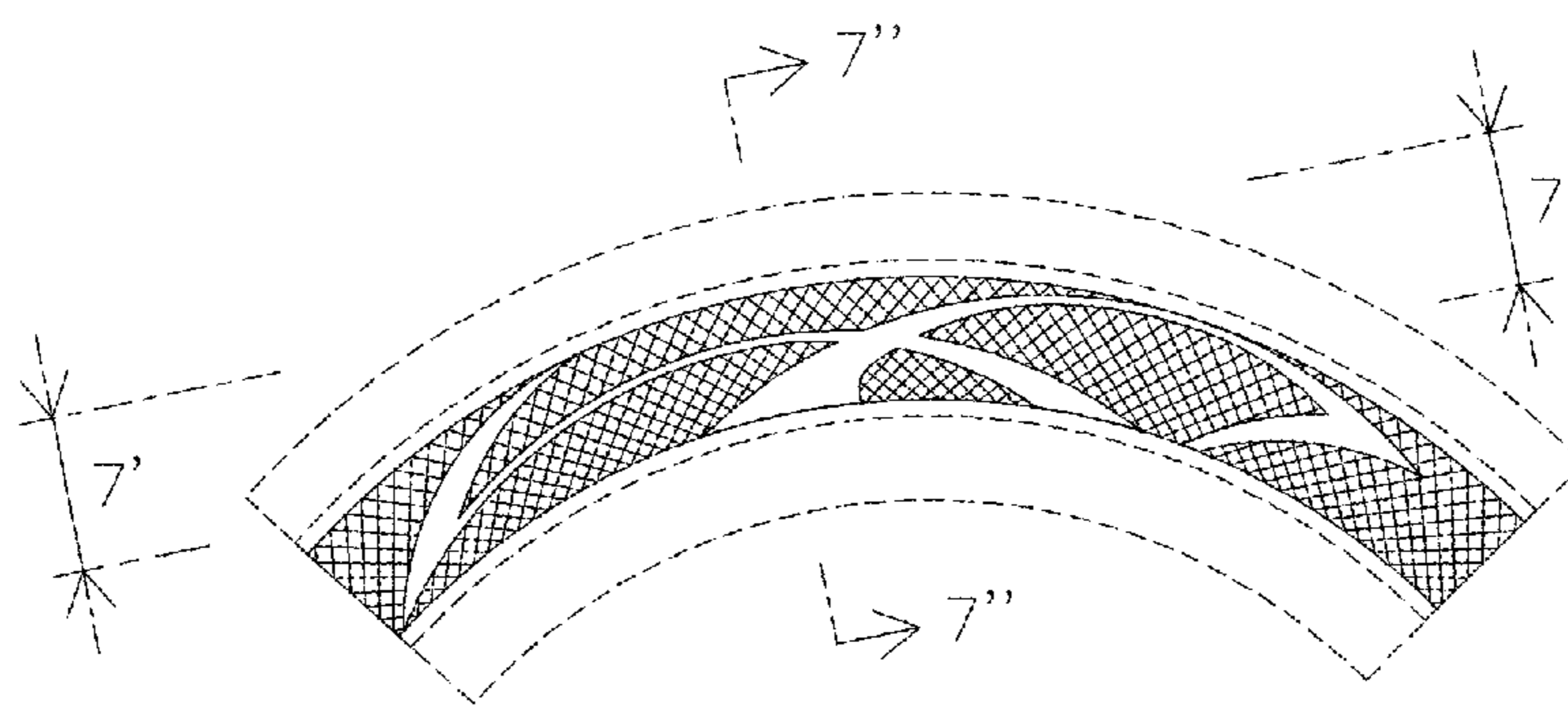


FIG. 6

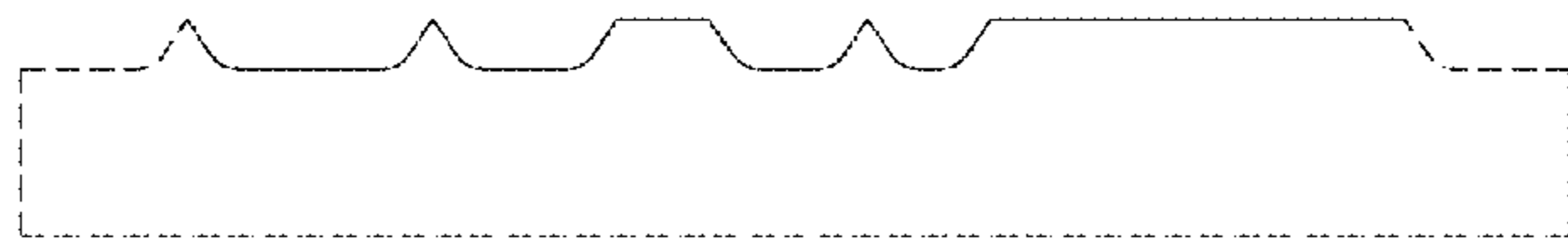


FIG. 7