



US00D670639S

(12) **United States Design Patent**
Hanks et al.

(10) **Patent No.:** **US D670,639 S**

(45) **Date of Patent:** **** Nov. 13, 2012**

(54) **FOLDING PLATFORM**

(76) Inventors: **Christopher Hanks**, Jacksonville, FL
(US); **Gilbert Hanks**, Jacksonville, FL
(US)

(**) Term: **14 Years**

(21) Appl. No.: **29/384,010**

(22) Filed: **Jan. 25, 2011**

(51) **LOC (9) Cl.** **12-16**

(52) **U.S. Cl.** **D12/412**

(58) **Field of Classification Search** D12/412,
D12/406, 414, 414.1; 293/37.1, 3, 100;
224/309–310, 315–316, 323–329, 400; D3/304–306;
280/760–762, 848, 727, 769; D6/552
See application file for complete search history.

(56) **References Cited**

U.S. PATENT DOCUMENTS

3,446,220	A	*	5/1969	Schafer	135/88.1
D470,457	S	*	2/2003	McCoy et al.	D13/118
D520,938	S	*	5/2006	Badillo	D12/412
D537,404	S	*	2/2007	Bauer et al.	D12/412
D540,736	S	*	4/2007	Harris	D12/412
D558,123	S	*	12/2007	Murillo	D12/412
D561,086	S	*	2/2008	Lopez	D12/412
D594,813	S	*	6/2009	Kramer	D12/412
D624,486	S	*	9/2010	Shipp, Jr.	D12/412
D639,718	S	*	6/2011	Patrick	D12/412

* cited by examiner

Primary Examiner — Caron D Veynar
Assistant Examiner — Katrina A Betton

(74) *Attorney, Agent, or Firm* — Yau Law Firm; Jo-Anne Yau

(57) **CLAIM**

The ornamental design for a folding platform, as shown and described.

DESCRIPTION

FIG. 1 is a top perspective view of a folding platform showing my new design;

FIG. 2 is top perspective view of a folding platform in an alternate closed position;

FIG. 3 is a front view of a folding platform in an open position;

FIG. 4 is a rear view of a folding platform in an open position; FIG. 5 is a front view of a folding platform in a closed position;

FIG. 6 is a rear view of a folding platform in a closed position; FIG. 7 is a top plan view of a folding platform;

FIG. 8 is an enlarged partial upper rear left corner view of a folding platform;

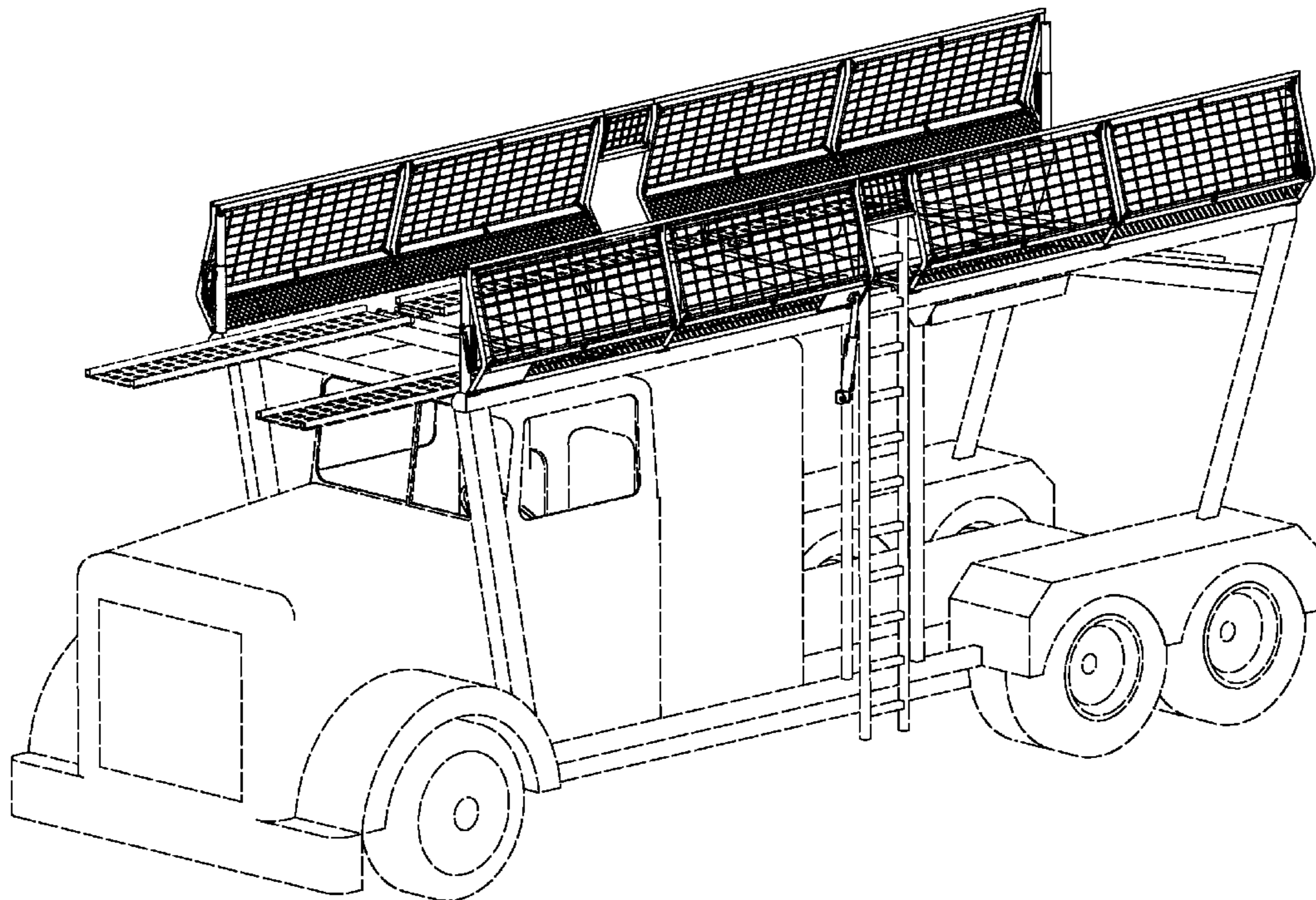
FIG. 9 is an enlarged partial upper right rear corner of a folding platform; and,

FIG. 10 is a cross sectional view taken along lines 10 in FIG. 7.

The characteristic feature of the folding platform design is characterized by a safety barricade integrated into a walkway, such folding platform having open and closed phases. The distal ends of the platform are attached to vertical structural rods.

In the drawings, the broken lines depict portions of a vehicle that form no part of the claim.

1 Claim, 8 Drawing Sheets



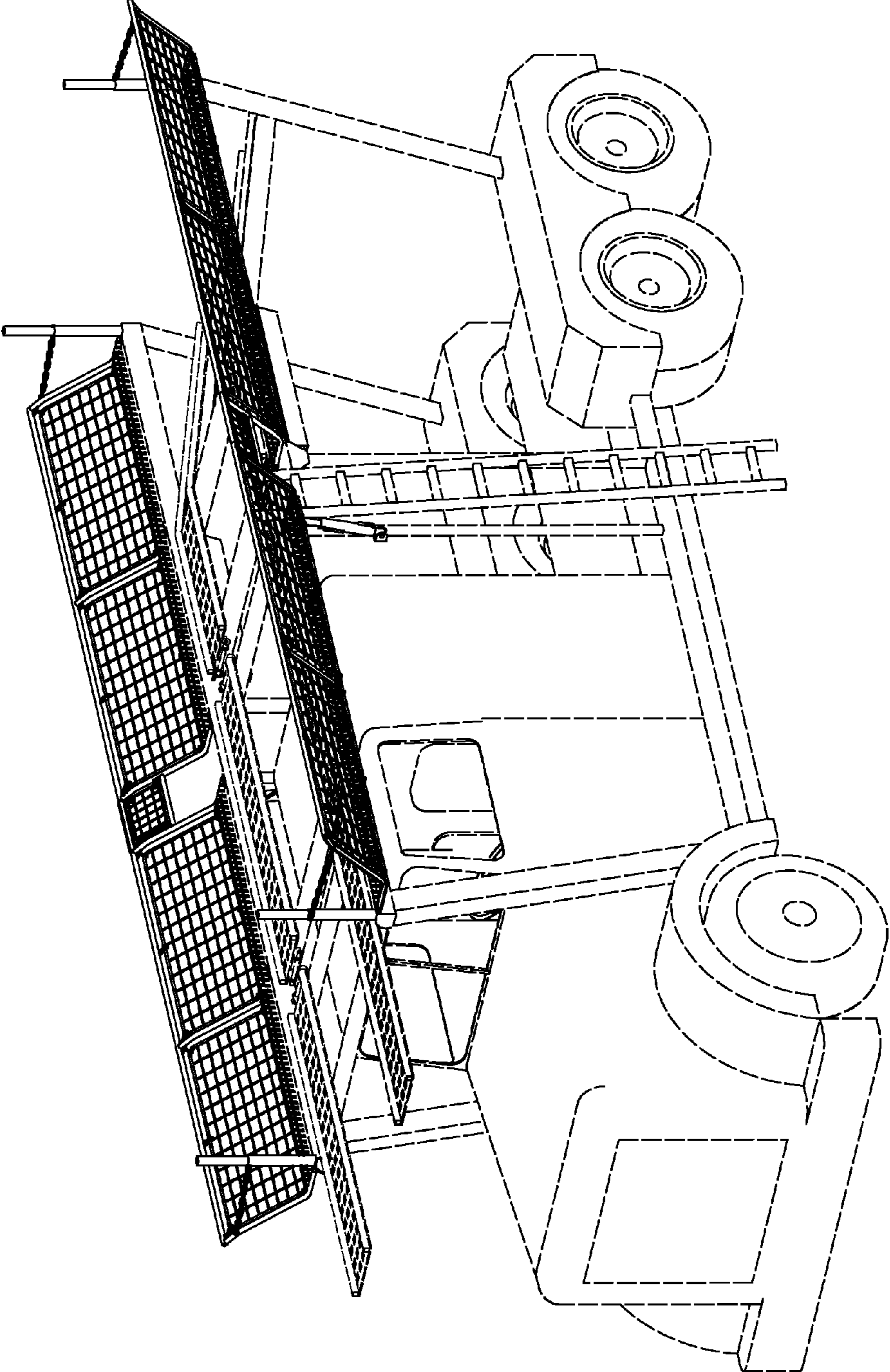


FIG.1

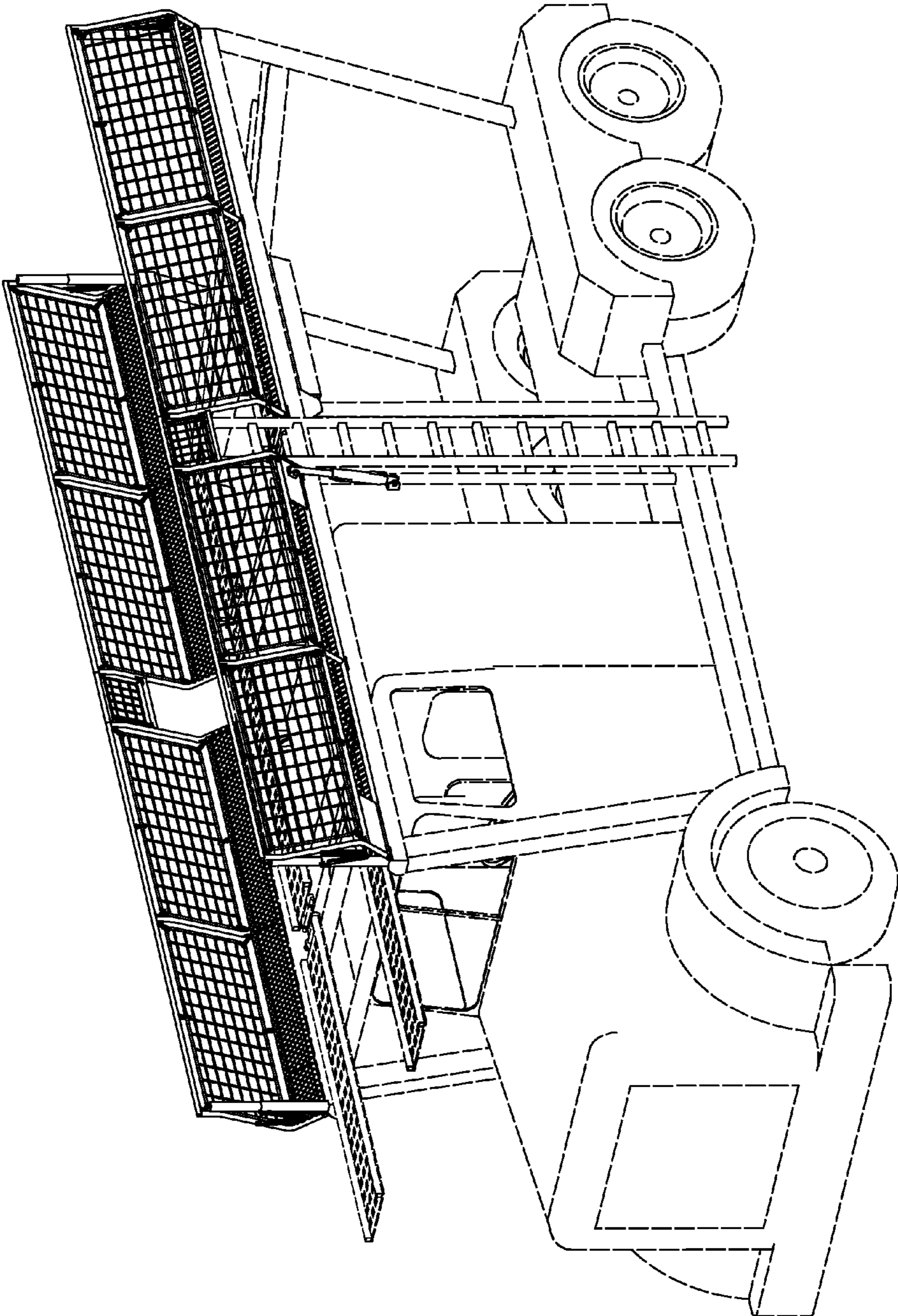


FIG. 2

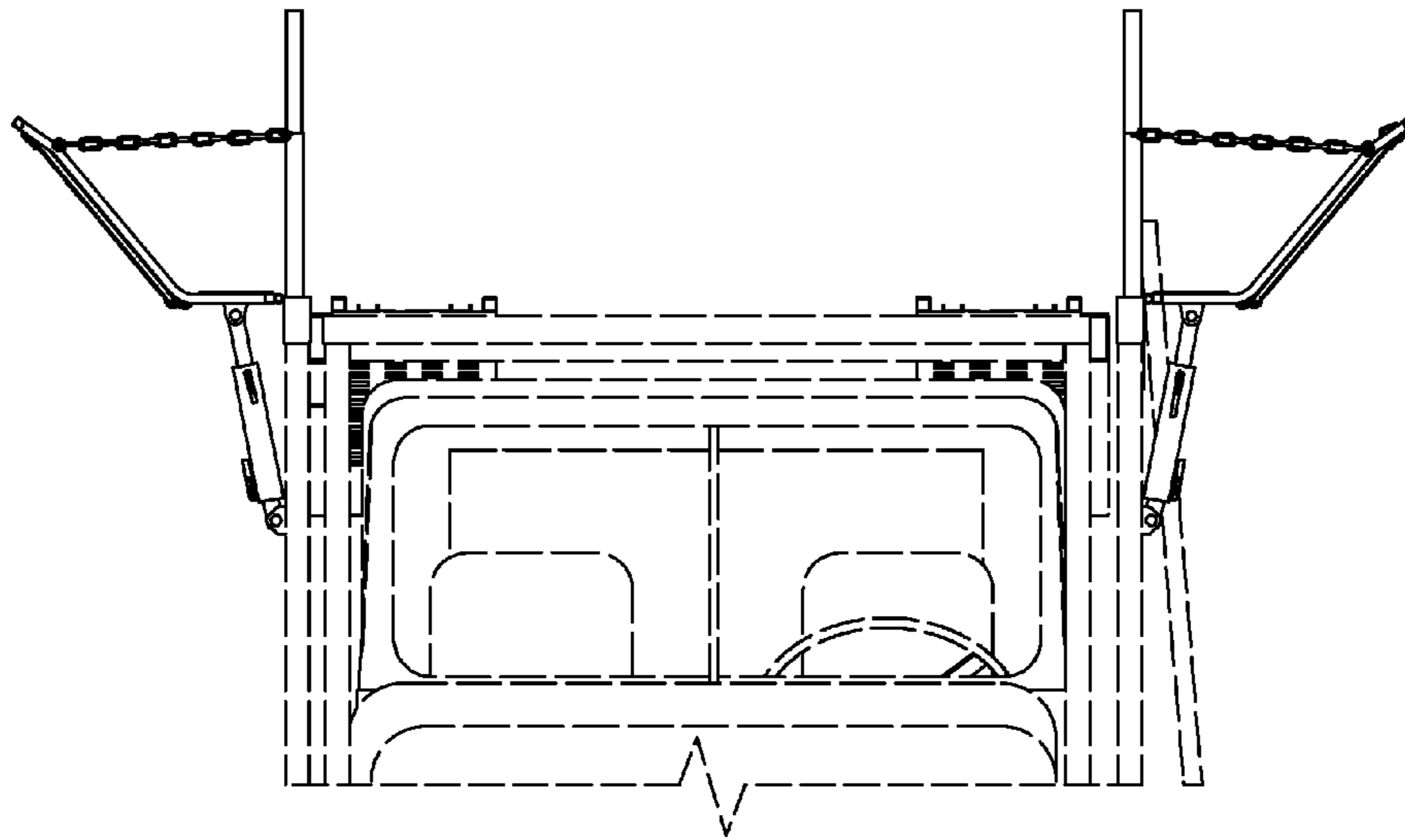


FIG. 3

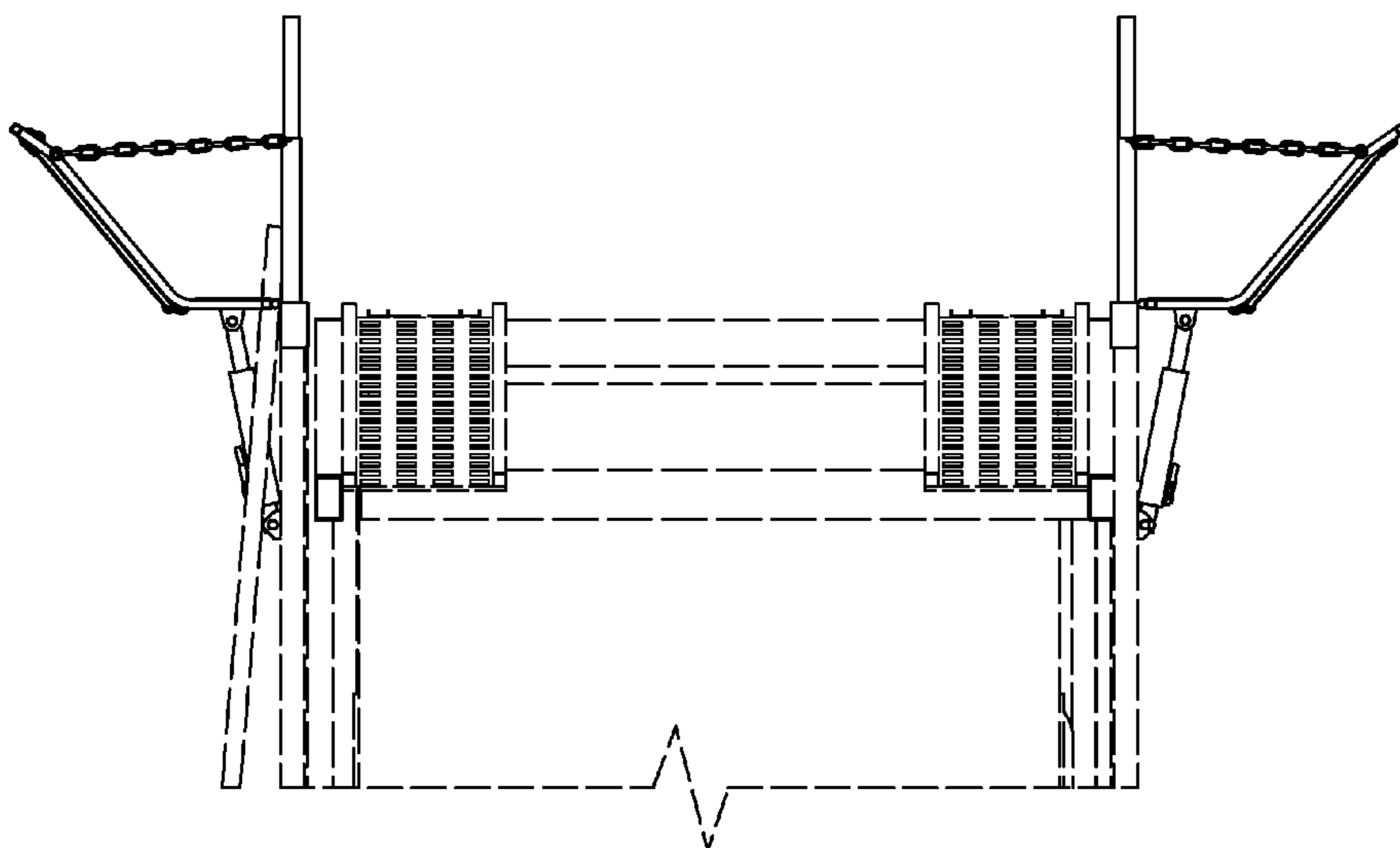


FIG. 4

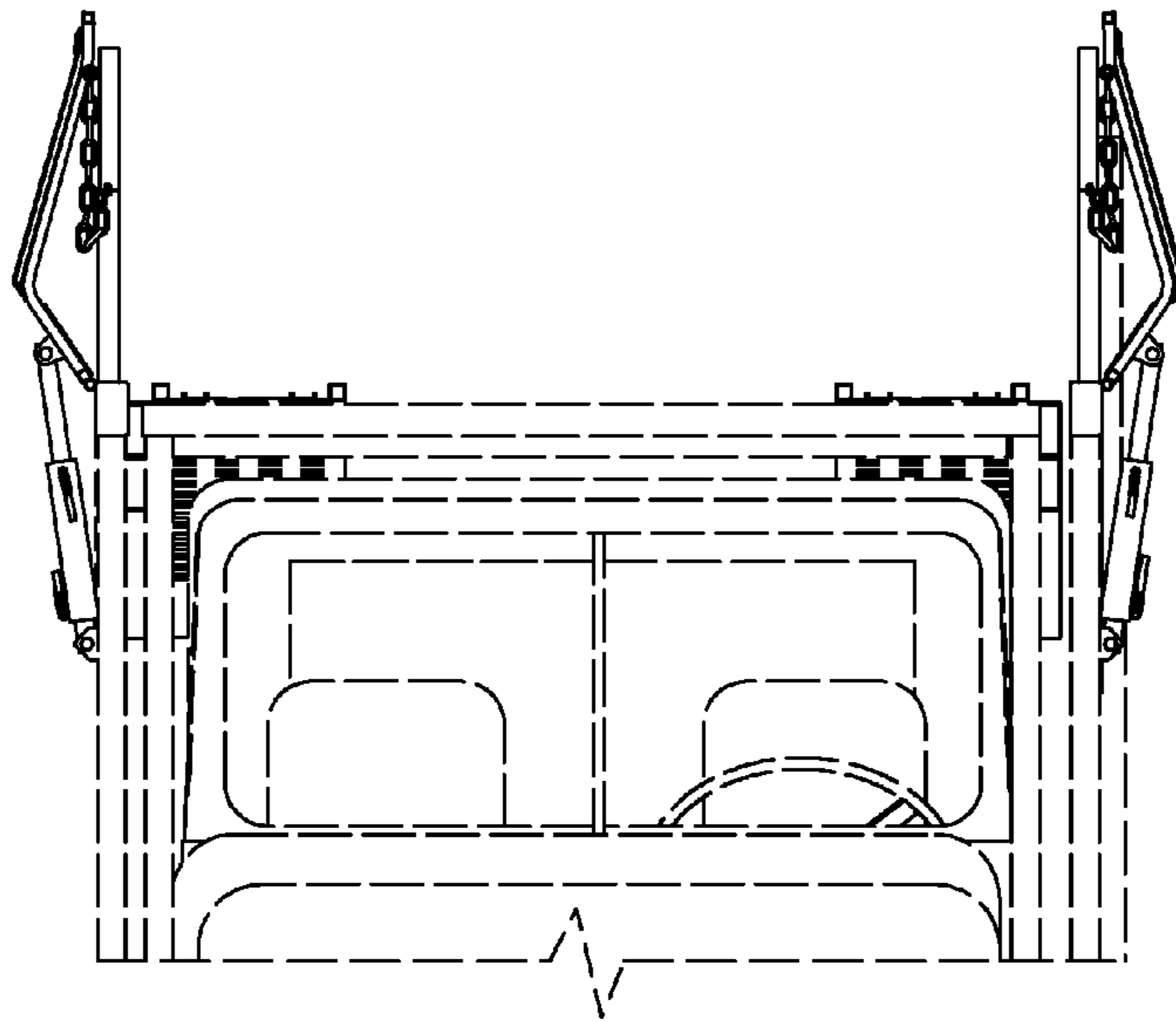


FIG. 5

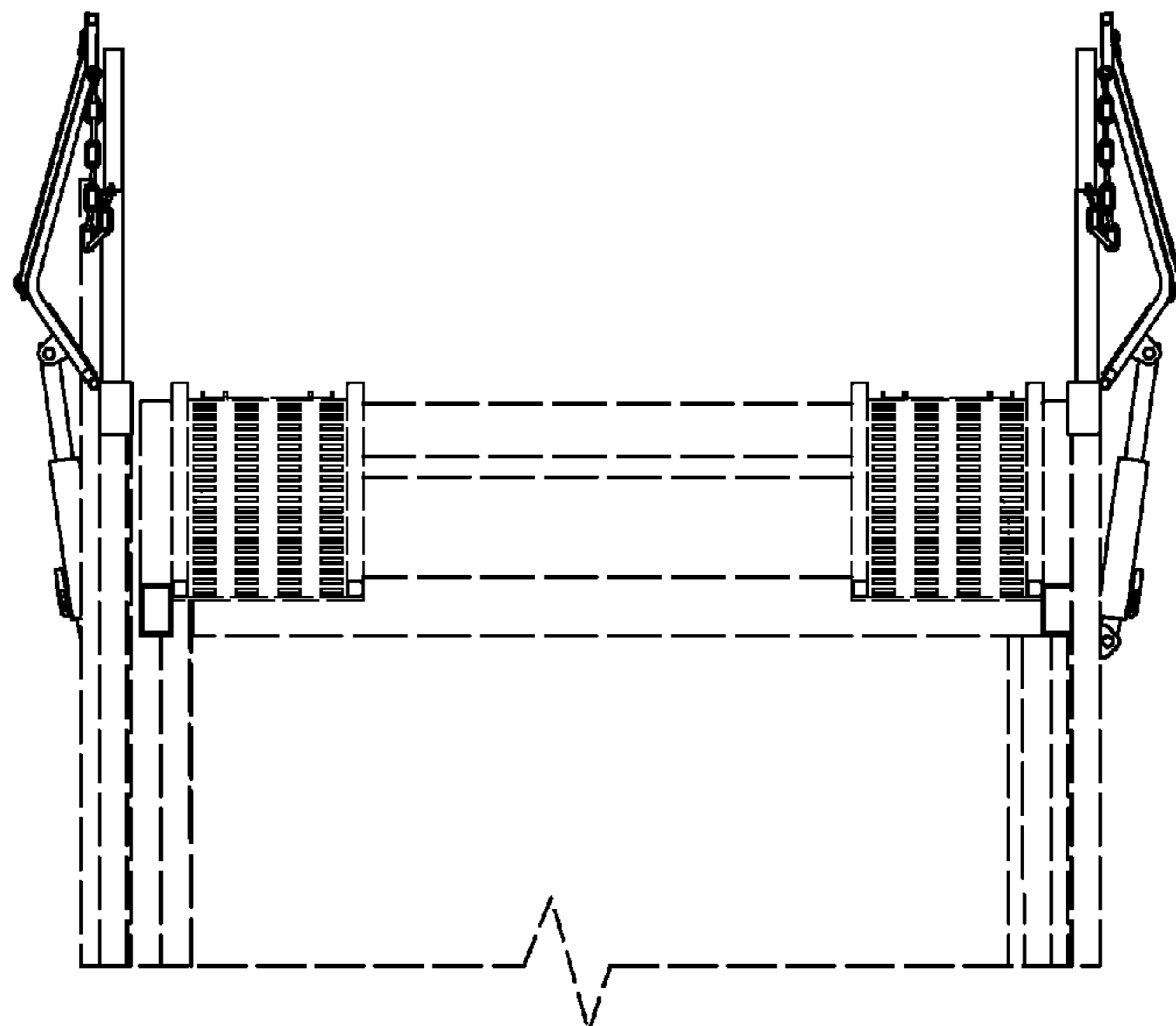


FIG. 6

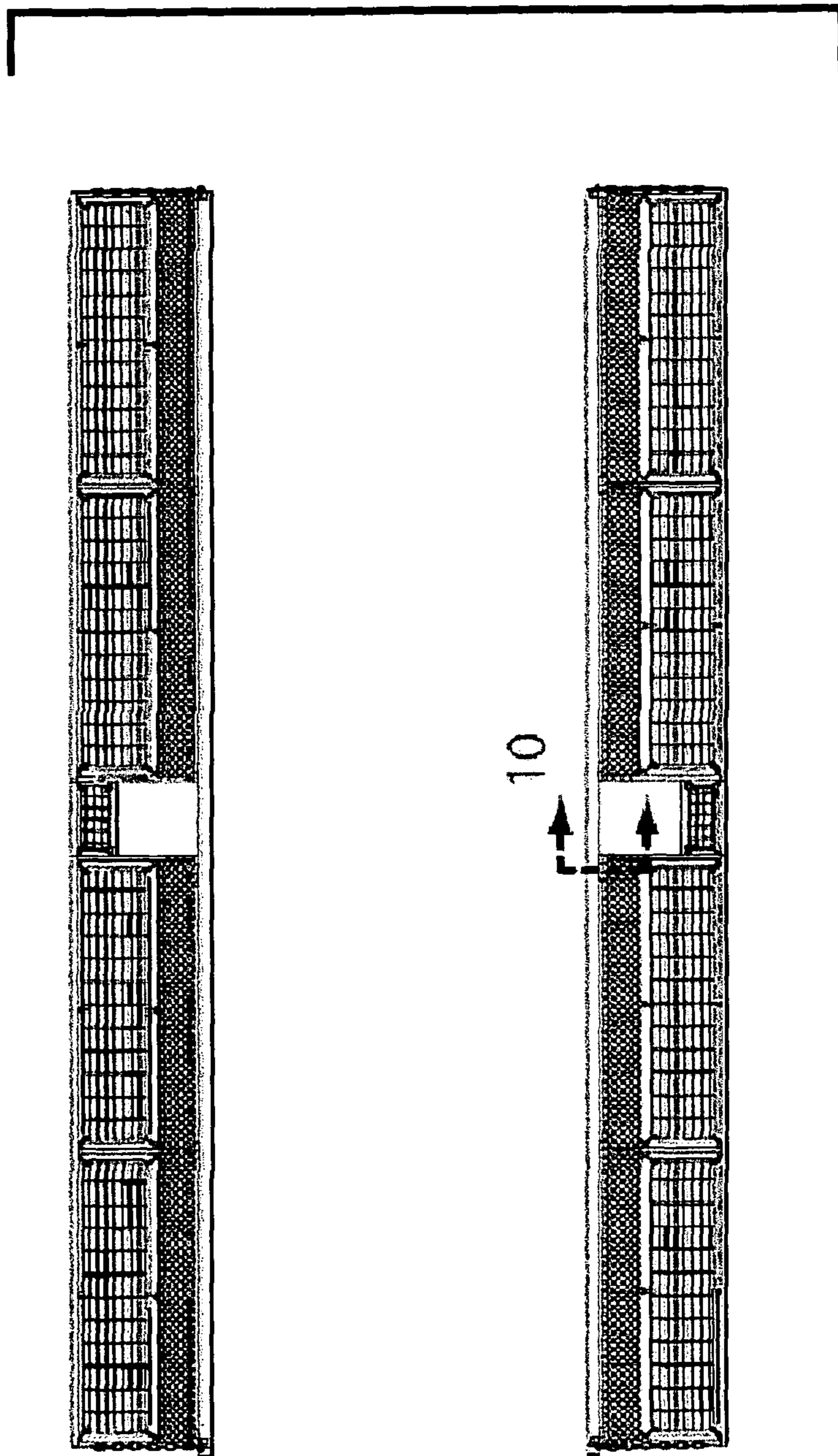


FIG. 7

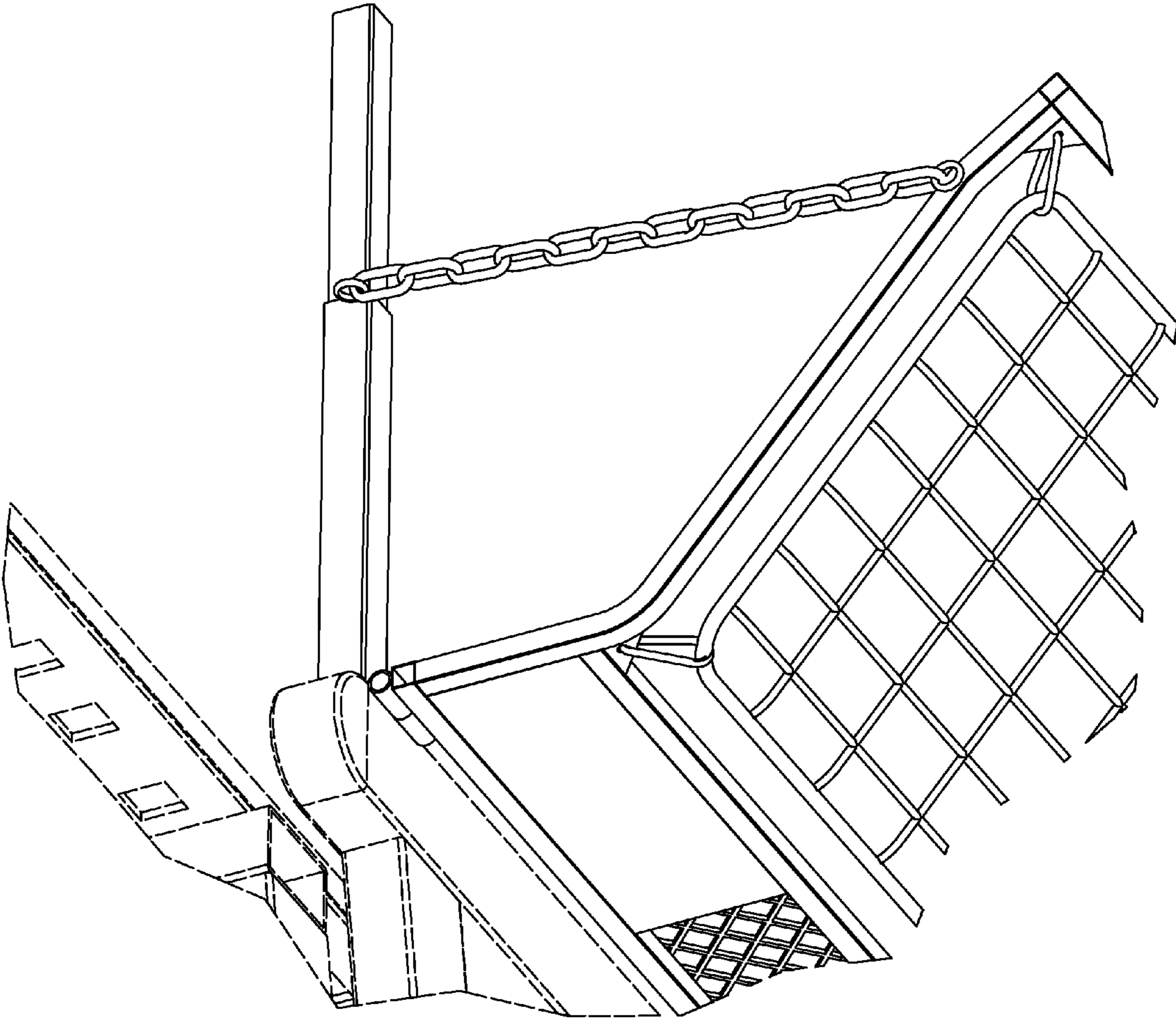


FIG. 8

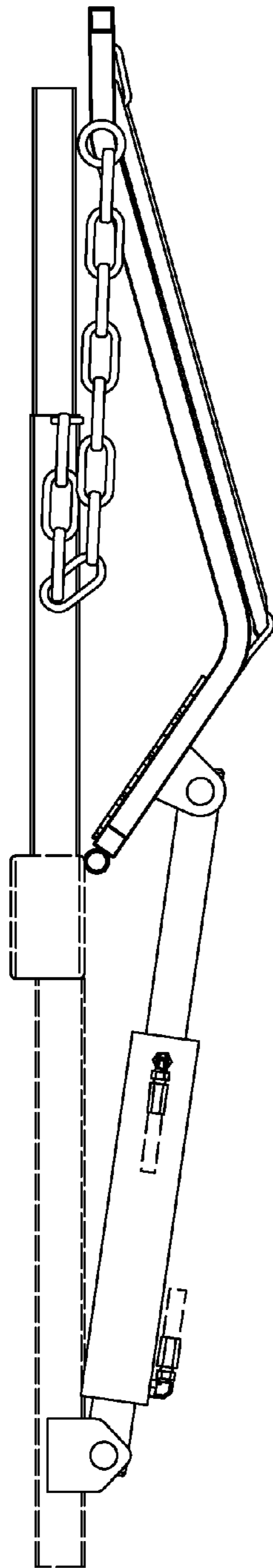


FIG. 9

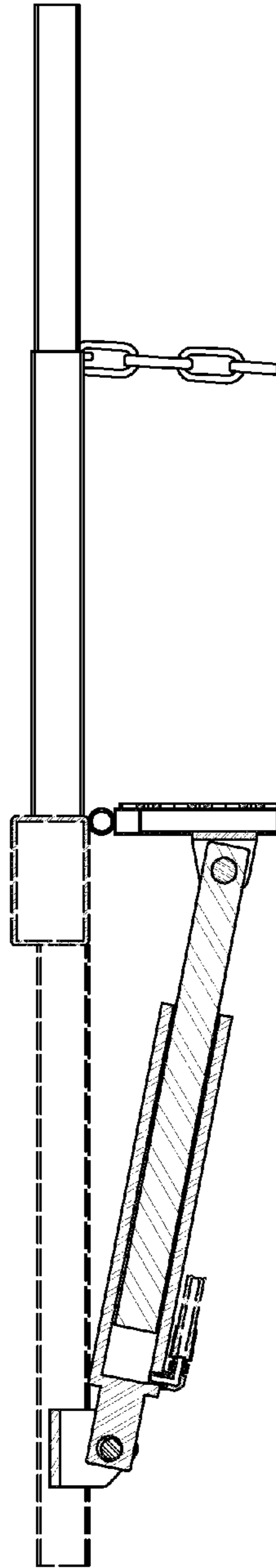


FIG. 10