



US00D670632S

(12) **United States Design Patent**
Schweizer

(10) **Patent No.:** **US D670,632 S**

(45) **Date of Patent:** **** Nov. 13, 2012**

(54) **WHEEL OR WHEEL COVER**

(75) Inventor: **Oliver Schweizer**, Stuttgart (DE)

(73) Assignee: **Daimler AG**, Stuttgart (DE)

(**) Term: **14 Years**

(21) Appl. No.: **29/371,508**

(22) Filed: **Mar. 29, 2011**

(30) **Foreign Application Priority Data**

Sep. 30, 2010 (EM) 001761727-0002

(51) **LOC (9) Cl.** **12-16**

(52) **U.S. Cl.** **D12/211**

(58) **Field of Classification Search** D12/204-213;
301/37.101, 64.101, 65, 64.201

See application file for complete search history.

(56) **References Cited**

U.S. PATENT DOCUMENTS

D542,728 S *	5/2007	Ichinose	D12/211
D558,118 S *	12/2007	Hueller	D12/211
D587,177 S *	2/2009	Scheu	D12/209
D594,397 S *	6/2009	Laengerer	D12/211
D598,834 S *	8/2009	Juergens et al.	D12/209

D613,657 S *	4/2010	Cortes	D12/209
D623,115 S *	9/2010	Juergens et al.	D12/211
D625,675 S *	10/2010	Juergens et al.	D12/209
D629,346 S *	12/2010	Szews	D12/211
D631,816 S *	2/2011	Foose	D12/211
D644,977 S *	9/2011	Juergens et al.	D12/211
D650,315 S *	12/2011	Juergens et al.	D12/211
D651,961 S *	1/2012	Ectors et al.	D12/211
D659,068 S *	5/2012	Johnson	D12/211
D660,762 S *	5/2012	Gabath	D12/209
D660,770 S *	5/2012	Mueller-Stolz et al.	D12/211
D663,670 S *	7/2012	Juergens et al.	D12/211

* cited by examiner

Primary Examiner — Stacia Cadmus

(74) *Attorney, Agent, or Firm* — Crowell & Moring LLP

(57) **CLAIM**

The ornamental design for a wheel or wheel cover, as shown and described.

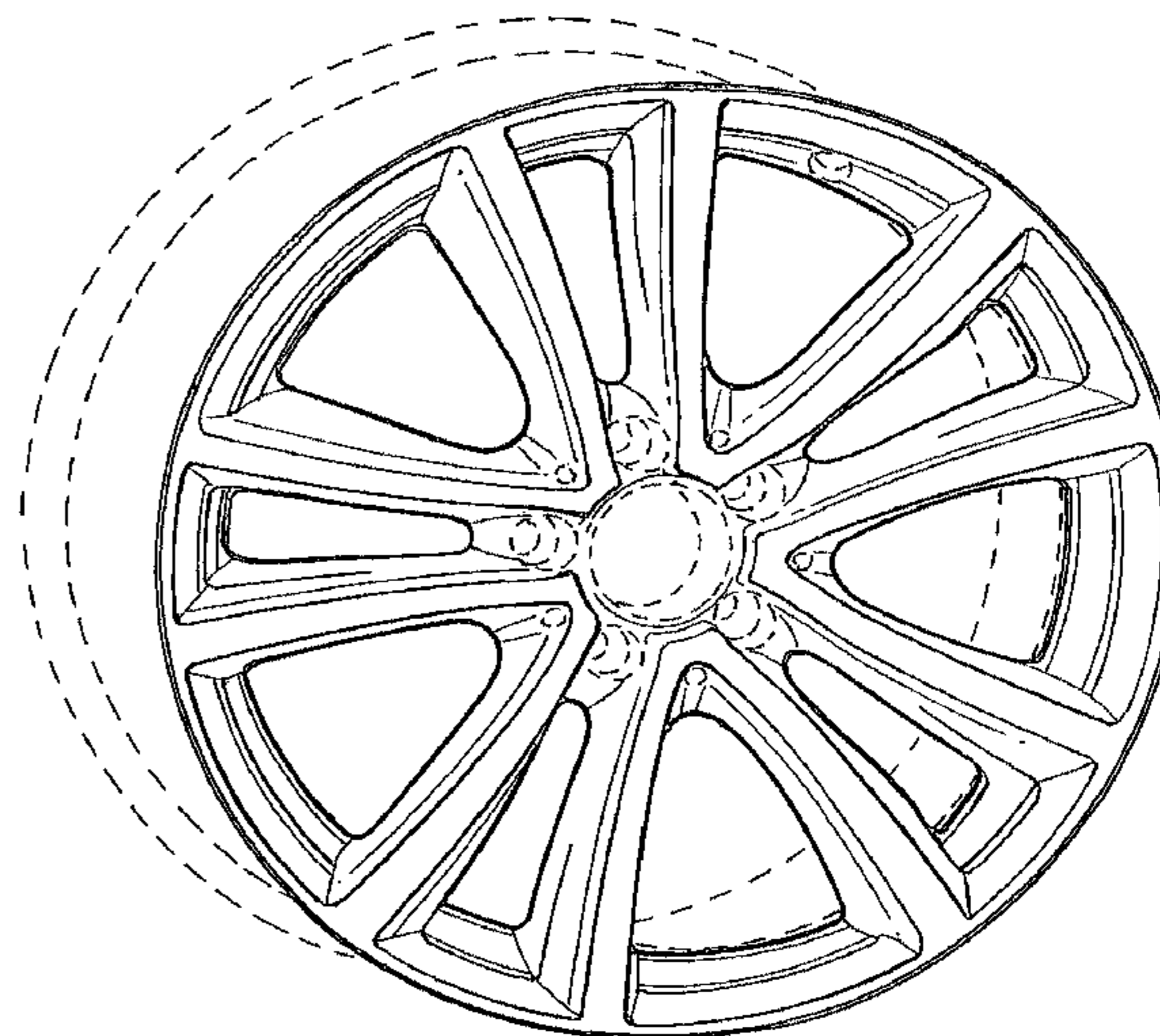
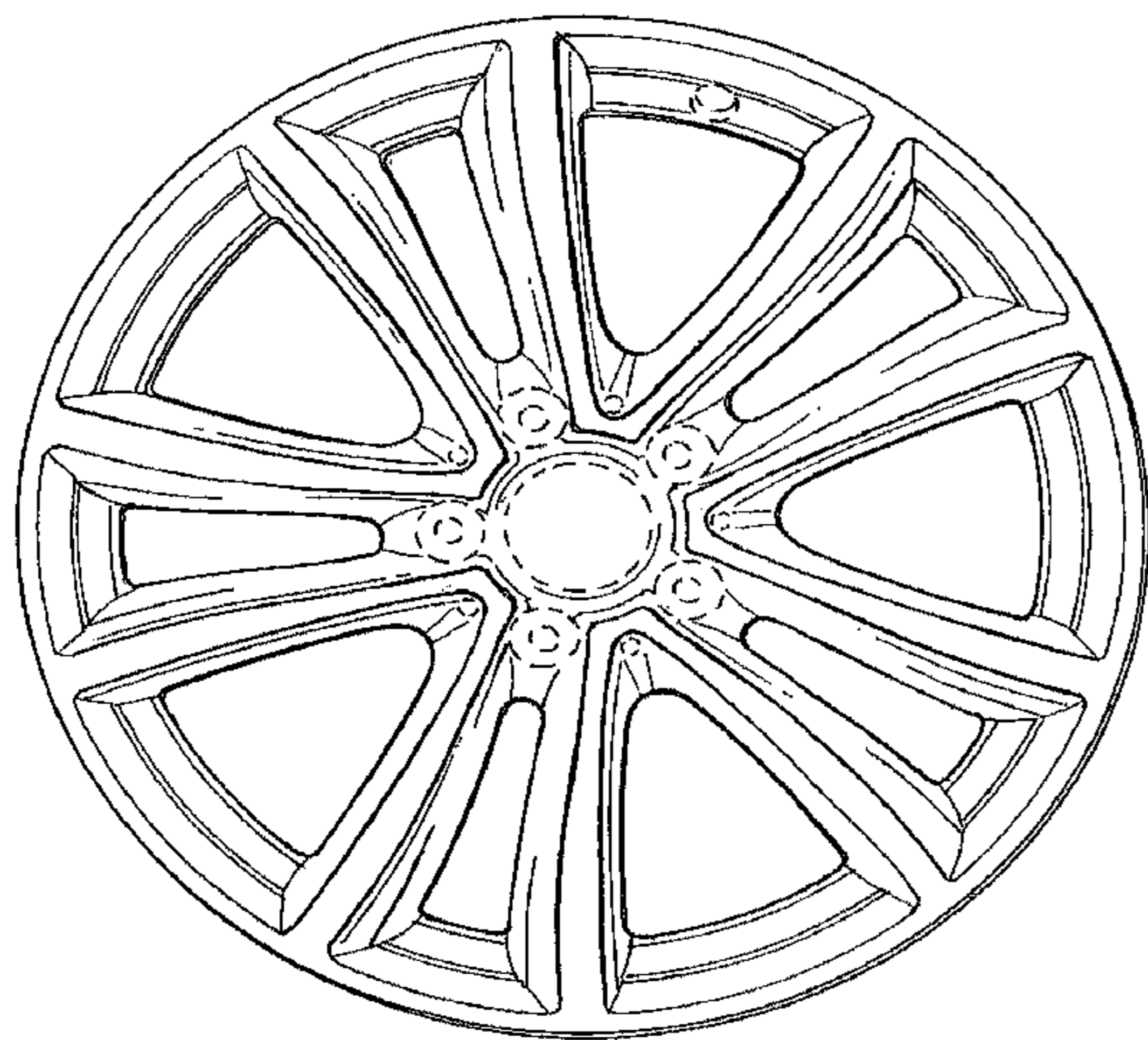
DESCRIPTION

FIG. 1 is a front view of a wheel or wheel cover according to my design; and,

FIG. 2 is a perspective view thereof.

The broken line showing of the rear of the wheel, the valve stem hole, and the bolt holes and center opening in the central hub area is included for the purpose of illustrating environment and forms no part of the claimed design.

1 Claim, 1 Drawing Sheet



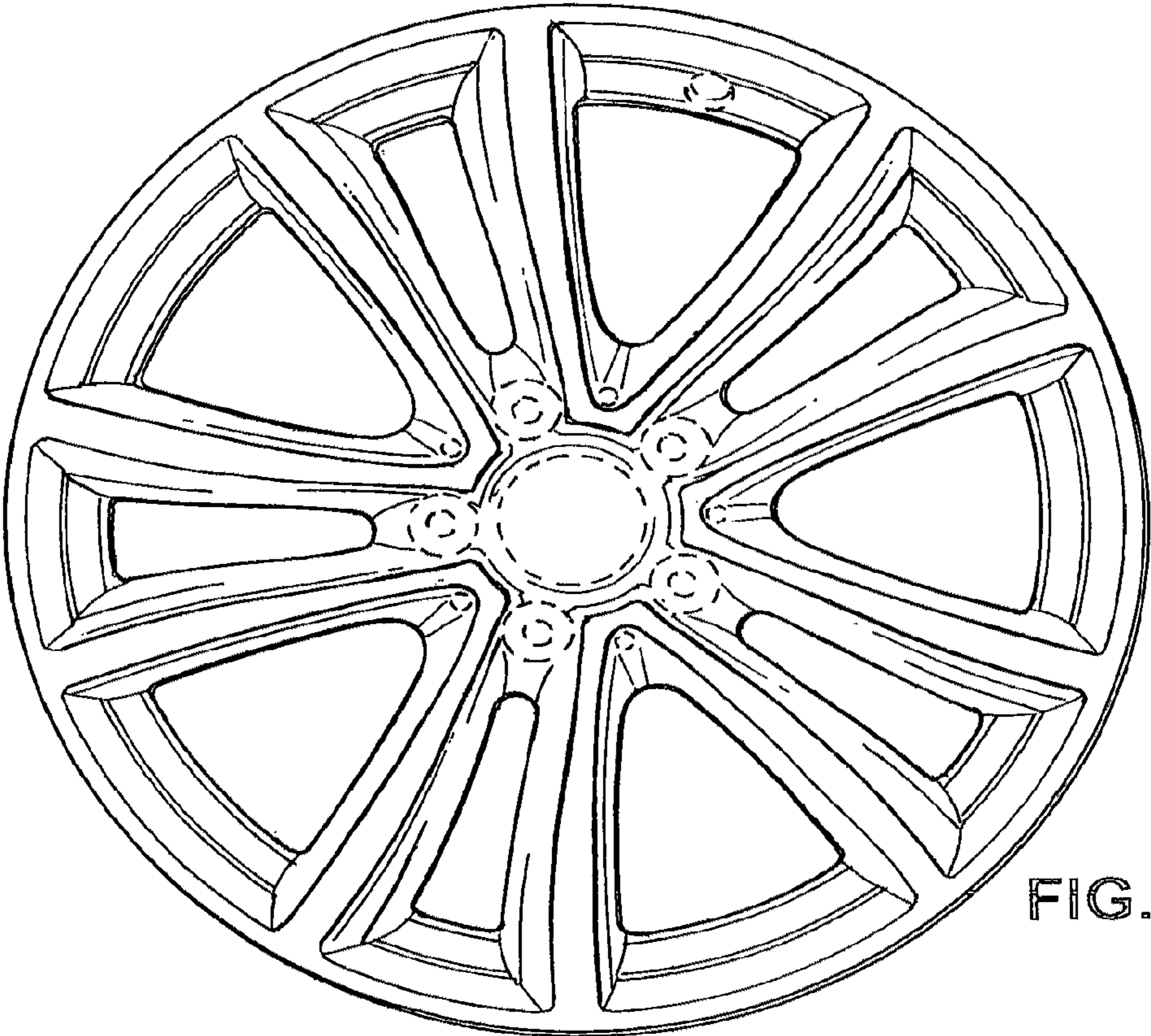


FIG. 1

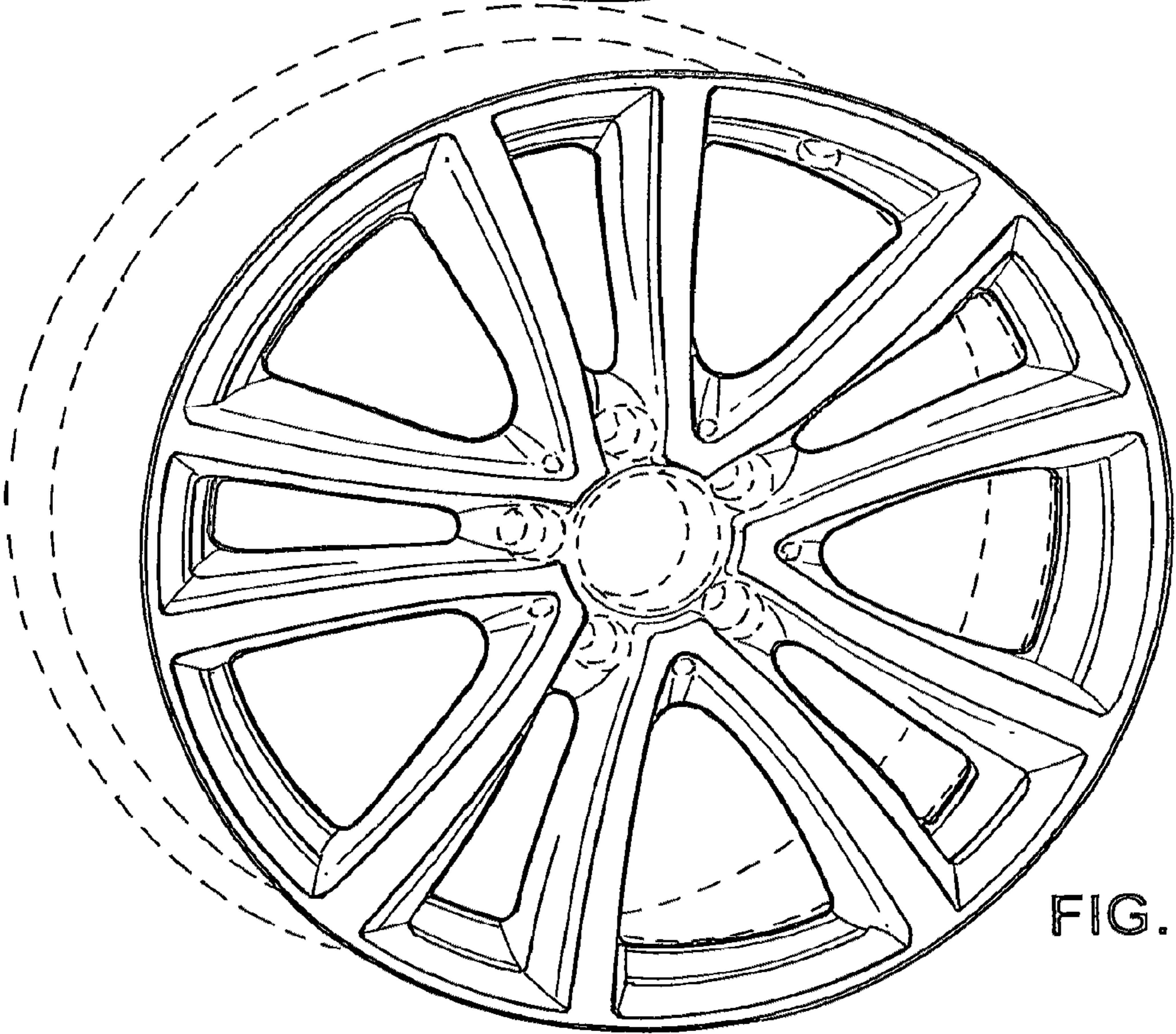


FIG. 2