

US00D670631S

(12) **United States Design Patent**
Buell

(10) **Patent No.:** **US D670,631 S**

(45) **Date of Patent:** **** Nov. 13, 2012**

(54) **WHEEL**

(75) Inventor: **Erik Buell**, Mukwonago, WI (US)

(73) Assignee: **Hero MotoCorp Limited**, New Dehli (IN)

(**) Term: **14 Years**

(21) Appl. No.: **29/409,863**

(22) Filed: **Dec. 29, 2011**

(51) **LOC (9) Cl.** **12-16**

(52) **U.S. Cl.** **D12/209**

(58) **Field of Classification Search** D12/204-213;
301/37.101, 64.101, 65, 64.201

See application file for complete search history.

(56) **References Cited**

U.S. PATENT DOCUMENTS

D427,558 S *	7/2000	Neeper	D12/211
D559,757 S *	1/2008	Shimokawa et al.	D12/211
D573,078 S *	7/2008	Longpre et al.	D12/209
D623,113 S *	9/2010	Geisler	D12/211
D624,861 S *	10/2010	Zhao	D12/209

D633,844 S *	3/2011	Scolari et al.	D12/209
D656,449 S *	3/2012	Zhao	D12/211
D659,627 S *	5/2012	Frei et al.	D12/209

* cited by examiner

Primary Examiner — Stacia Cadmus

(74) *Attorney, Agent, or Firm* — Brinks Hofer Gilson & Lione

(57) **CLAIM**

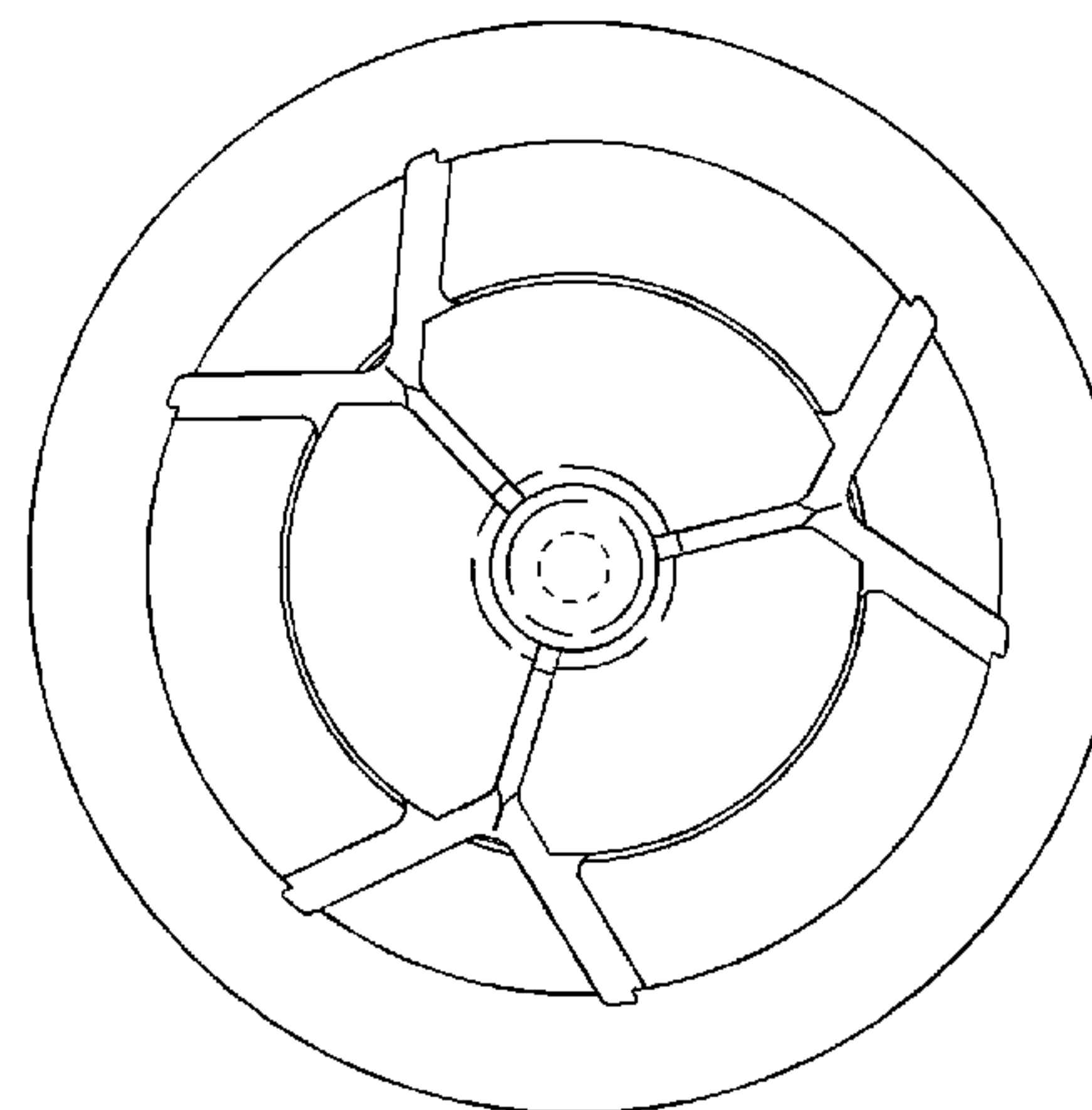
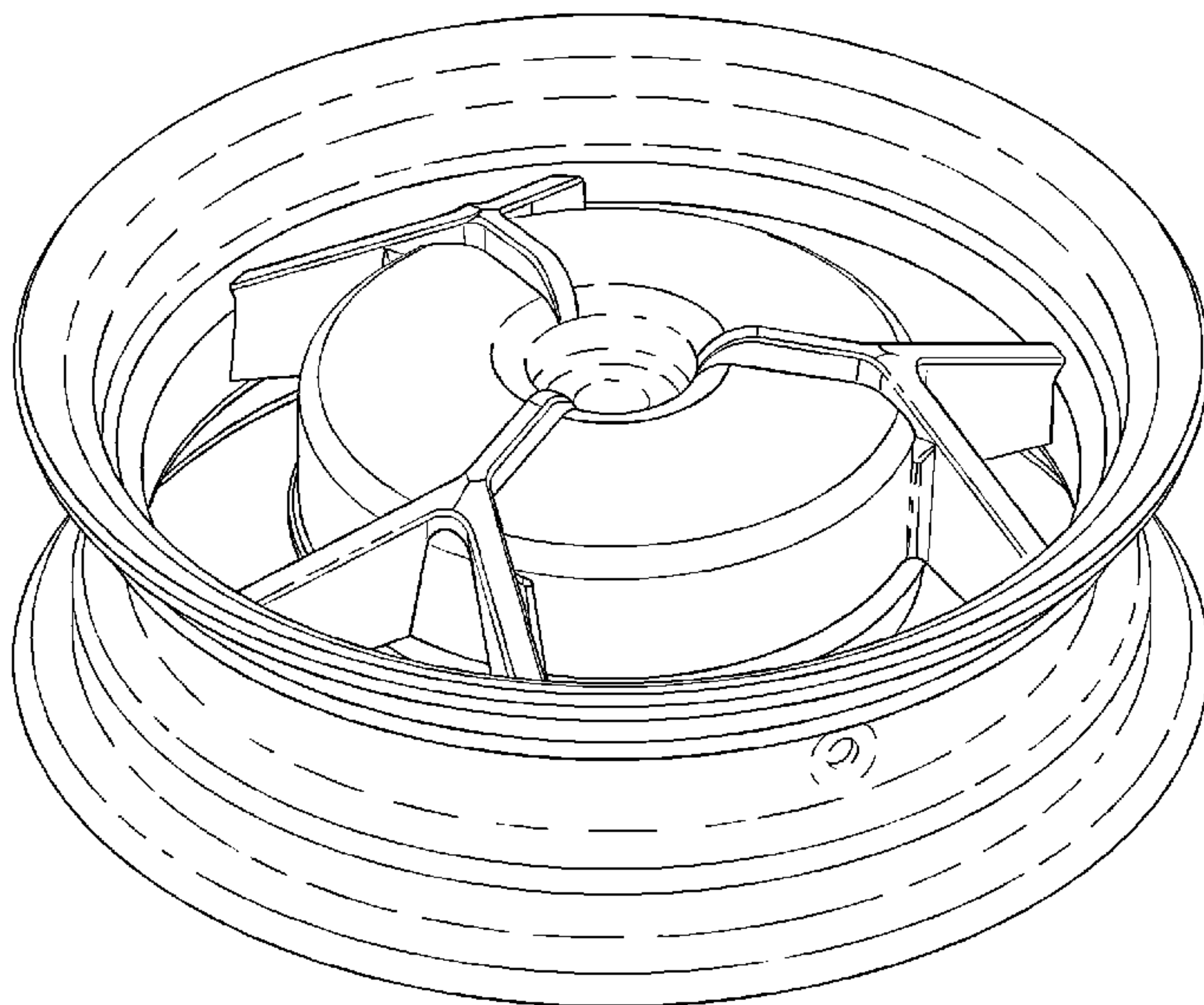
I claim the ornamental design for a wheel, as shown and described.

DESCRIPTION

FIG. 1 is a perspective view of my new design of a wheel; FIG. 2 is a front view of my design shown in FIG. 1; FIG. 3 is a rear view of my design shown in FIG. 1; FIG. 4 is a left-side view of my design shown in FIG. 1; FIG. 5 is a right-side view of my design shown in FIG. 1; FIG. 6 is a top view of my design shown in FIG. 1; and, FIG. 7 is a bottom view of my design shown in FIG. 1.

The ornamental design which is claimed is shown in solid lines in the drawings. The broken lines are for environmental purposes only and do not form any part of the claimed design.

1 Claim, 4 Drawing Sheets



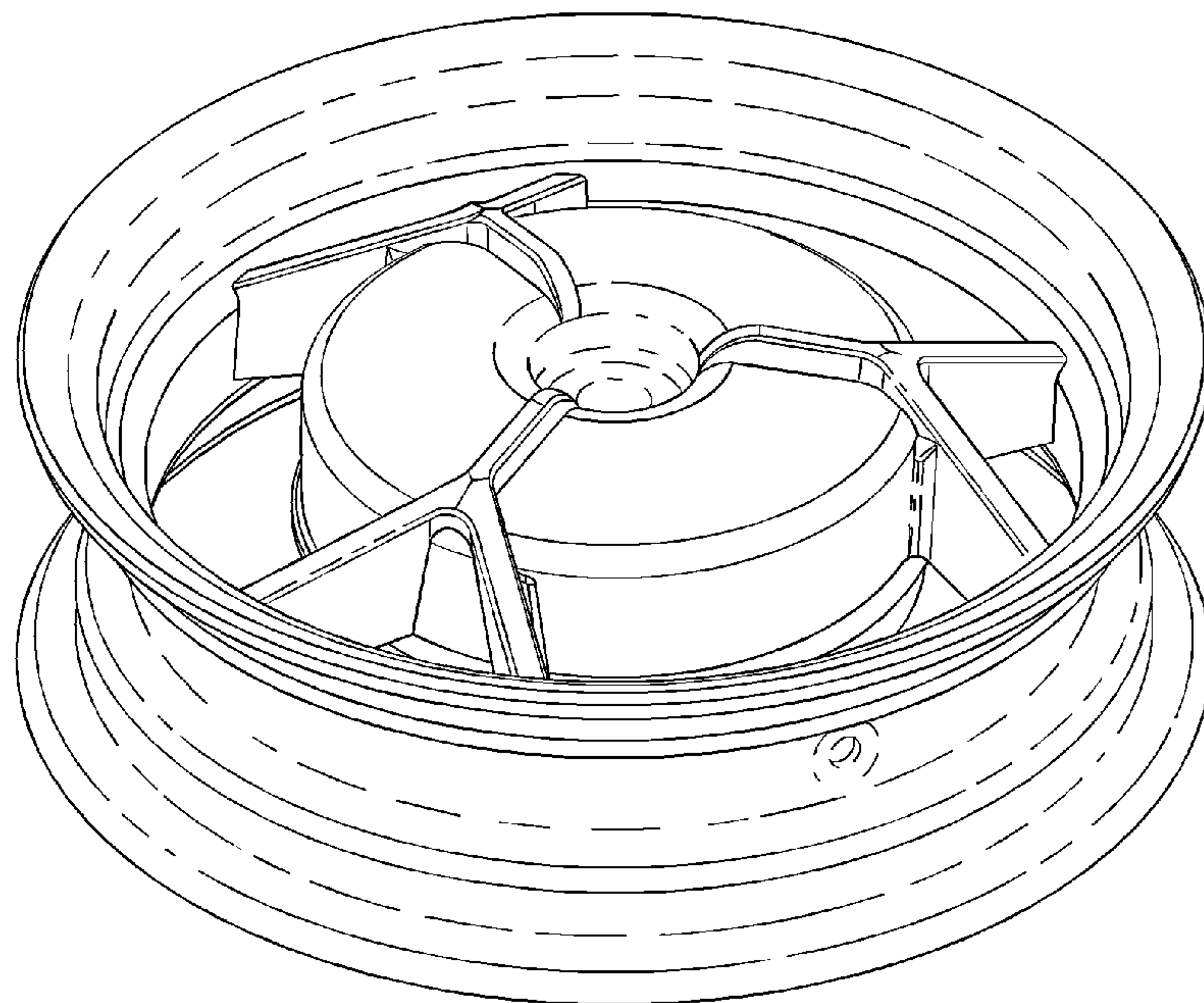


Figure 1

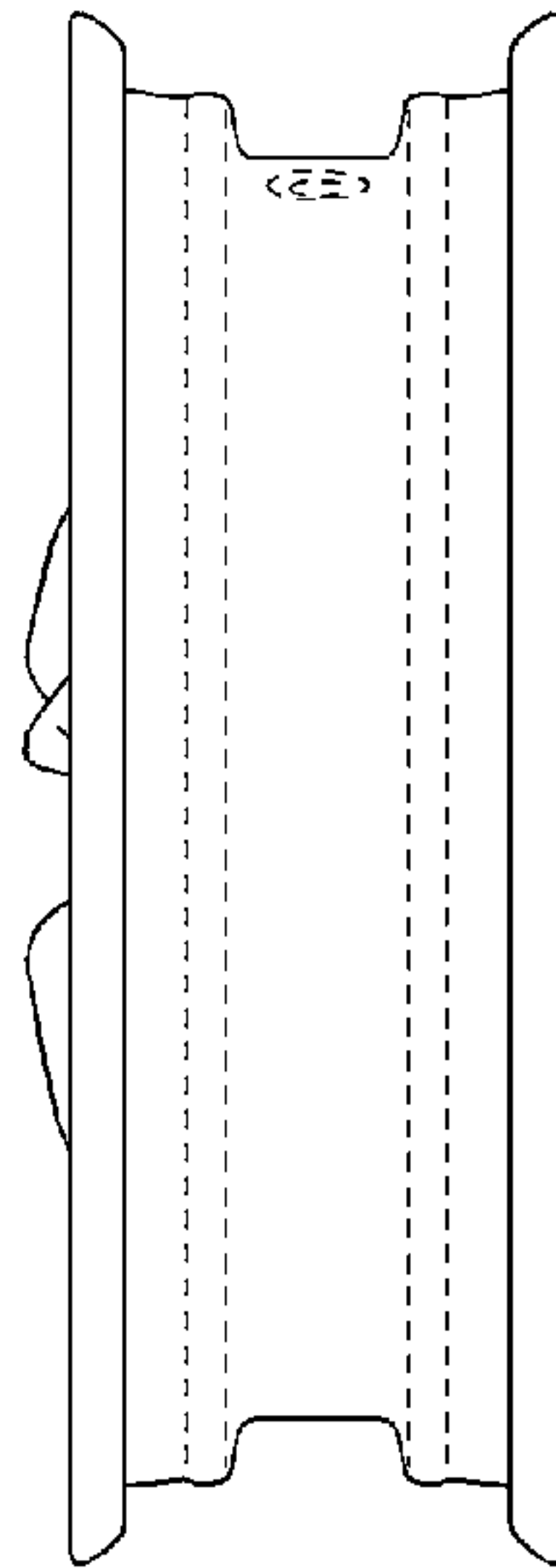


Figure 2

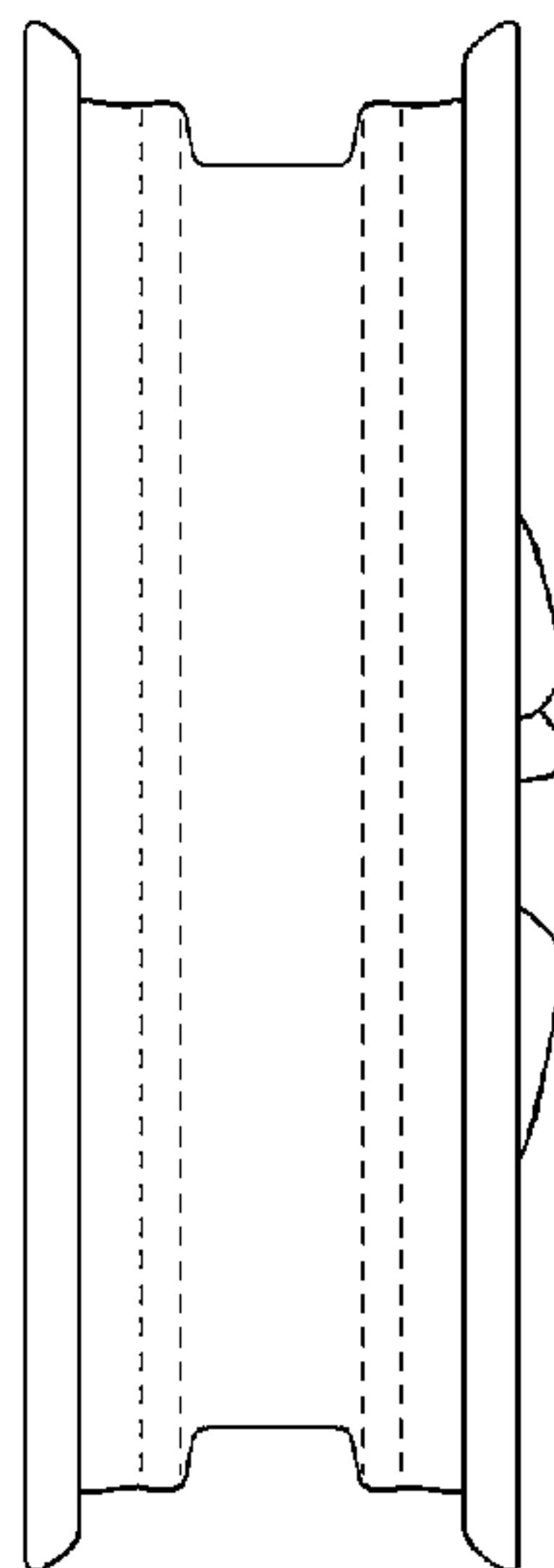


Figure 3

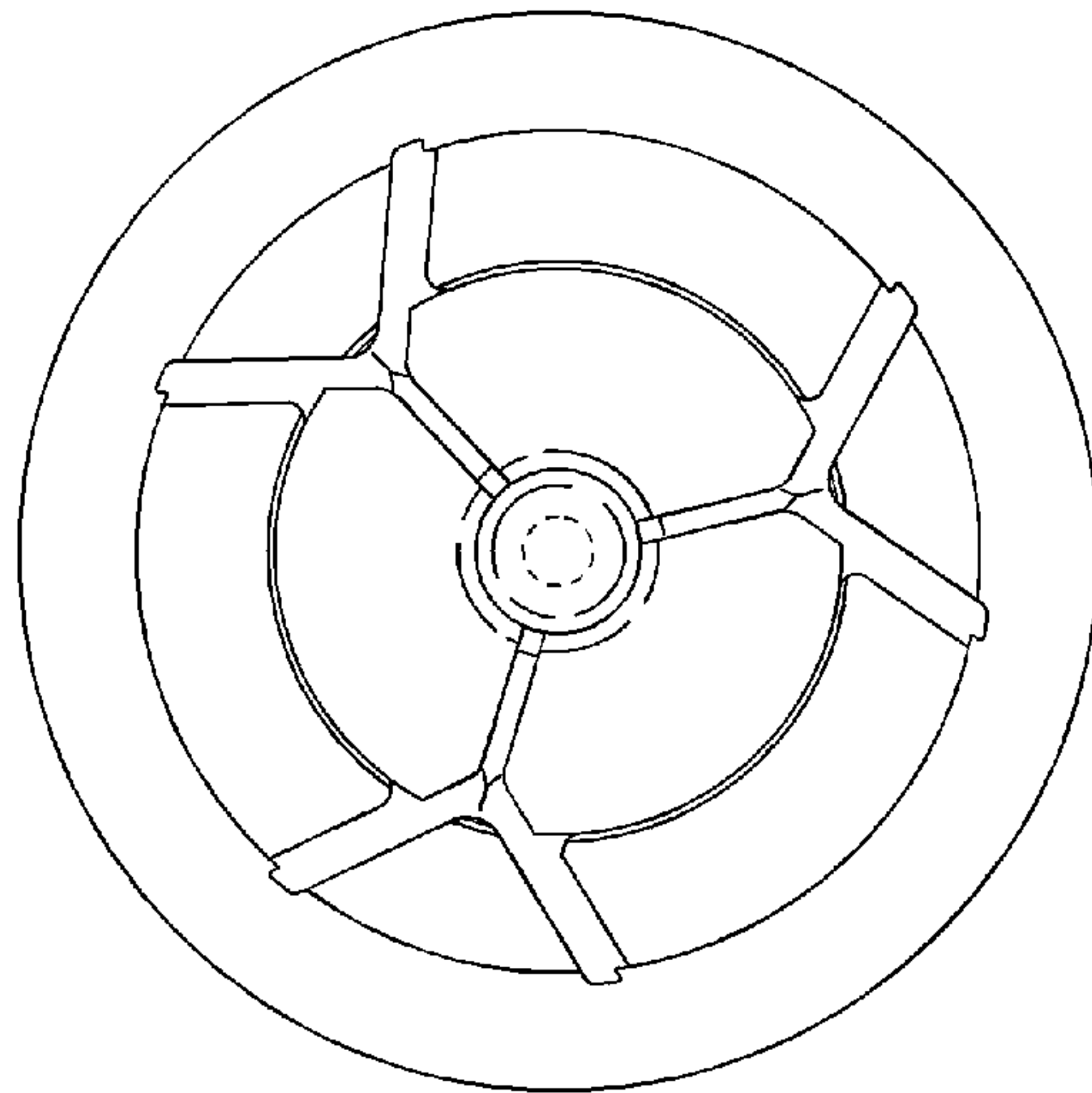


Figure 4

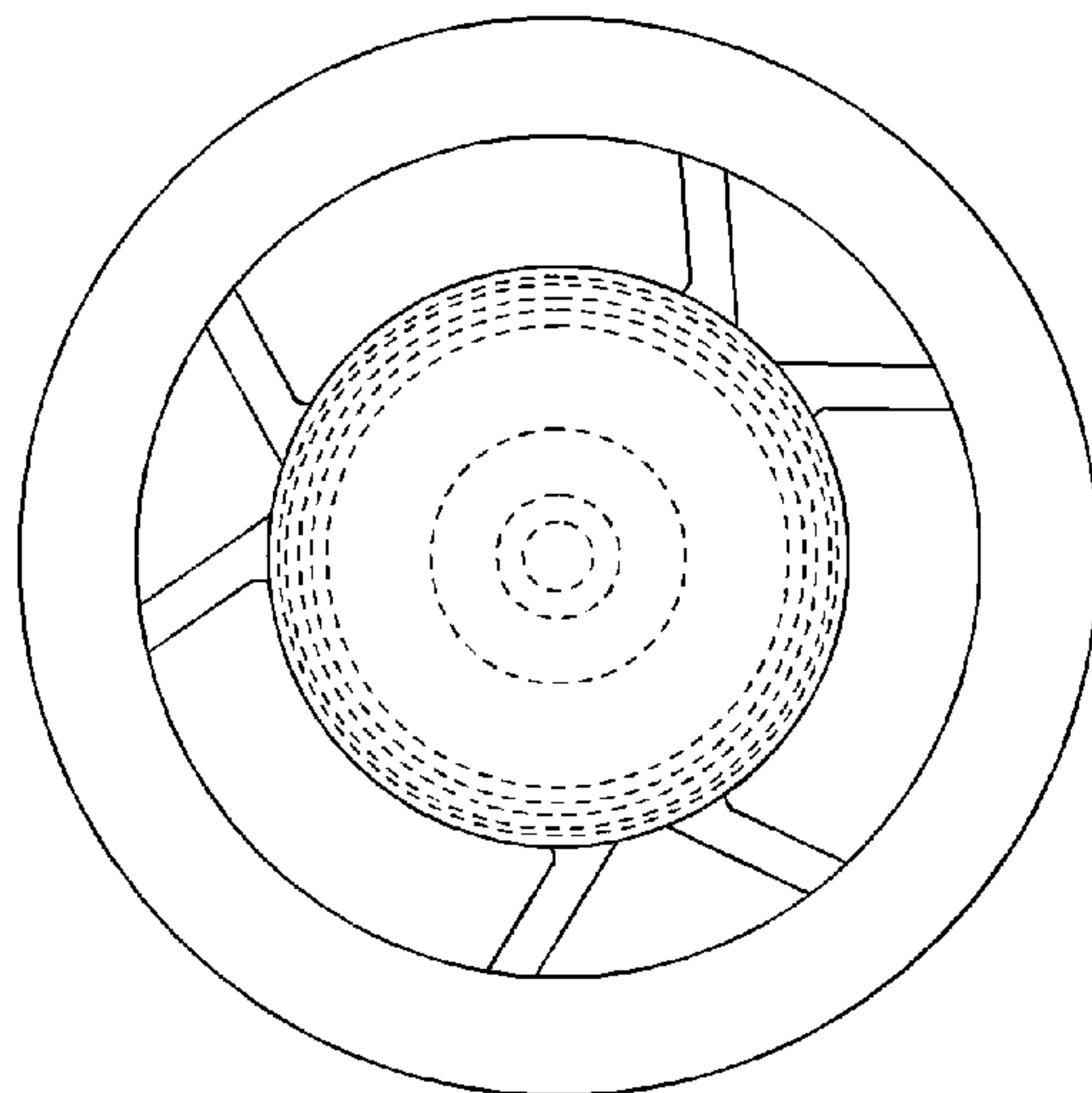


Figure 5

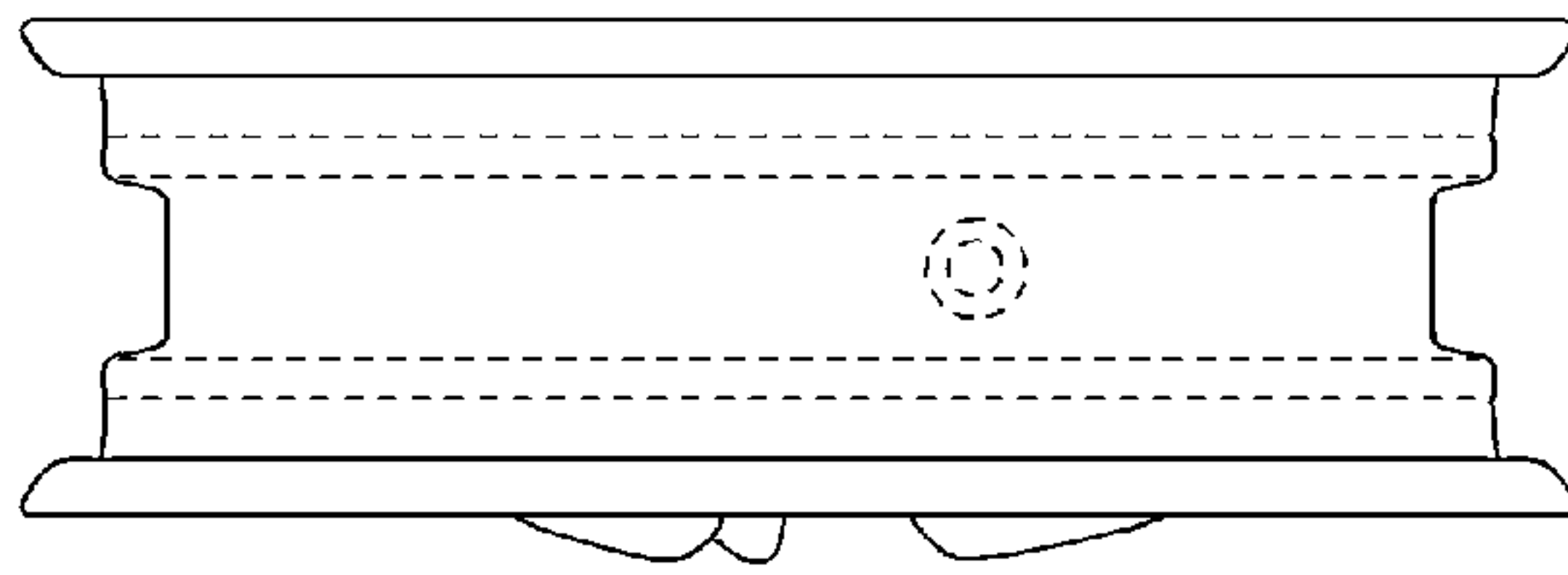


Figure 6

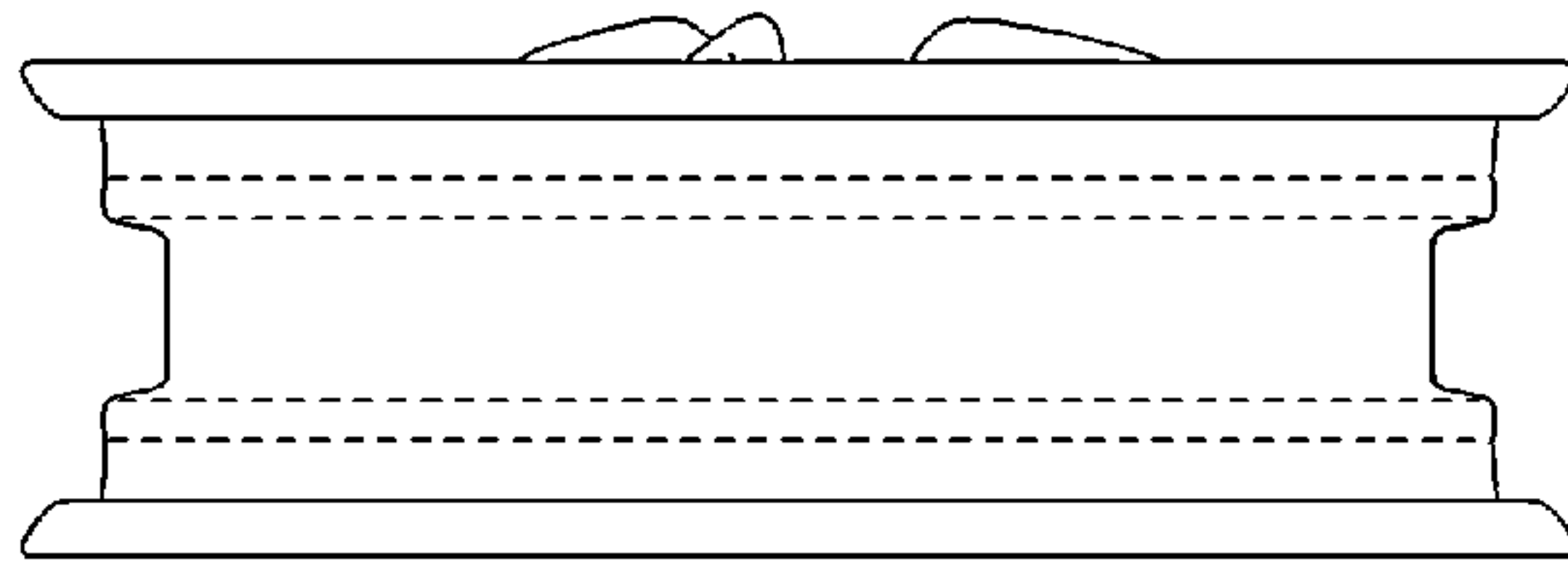


Figure 7