



US00D670630S

(12) **United States Design Patent**
Flueckiger

(10) **Patent No.:** **US D670,630 S**

(45) **Date of Patent:** **** Nov. 13, 2012**

(54) **WHEEL OR WHEEL COVER**

(75) Inventor: **Toni Flueckiger**, Haerkingen (CH)

(73) Assignee: **Daimler AG**, Stuttgart (DE)

(**) Term: **14 Years**

(21) Appl. No.: **29/371,510**

(22) Filed: **Mar. 29, 2011**

(30) **Foreign Application Priority Data**

Sep. 30, 2010 (EM) 001761727-0001

(51) **LOC (9) Cl.** **12-16**

(52) **U.S. Cl.** **D12/209**

(58) **Field of Classification Search** D12/204-213;
301/37.101, 64.101, 65, 64.201

See application file for complete search history.

(56) **References Cited**

U.S. PATENT DOCUMENTS

D402,251 S	*	12/1998	Timm	D12/211
D417,646 S	*	12/1999	Baumgartner	D12/211
D432,974 S	*	10/2000	Jablonski	D12/211
D454,527 S	*	3/2002	Bhambra	D12/209
D485,524 S	*	1/2004	Bhambra	D12/209

D488,420 S	*	4/2004	Murkett et al.	D12/209
D513,487 S	*	1/2006	Wachtler	D12/209
D516,982 S	*	3/2006	Gallert	D12/209
D521,438 S	*	5/2006	Nordmann	D12/211
D593,474 S	*	6/2009	Flueckiger	D12/209
D598,834 S	*	8/2009	Juergens et al.	D12/209
D598,836 S	*	8/2009	Blasi	D12/211
D620,862 S	*	8/2010	Pollmann	D12/209
D645,390 S	*	9/2011	De Bono	D12/209
D649,102 S	*	11/2011	Gallert	D12/211
D649,103 S	*	11/2011	Gallert	D12/211
D651,550 S	*	1/2012	Elmitt	D12/209
D652,363 S	*	1/2012	Chung	D12/211

* cited by examiner

Primary Examiner — Stacia Cadmus

(74) *Attorney, Agent, or Firm* — Crowell & Moring LLP

(57) **CLAIM**

The ornamental design for a wheel or wheel cover, as shown and described.

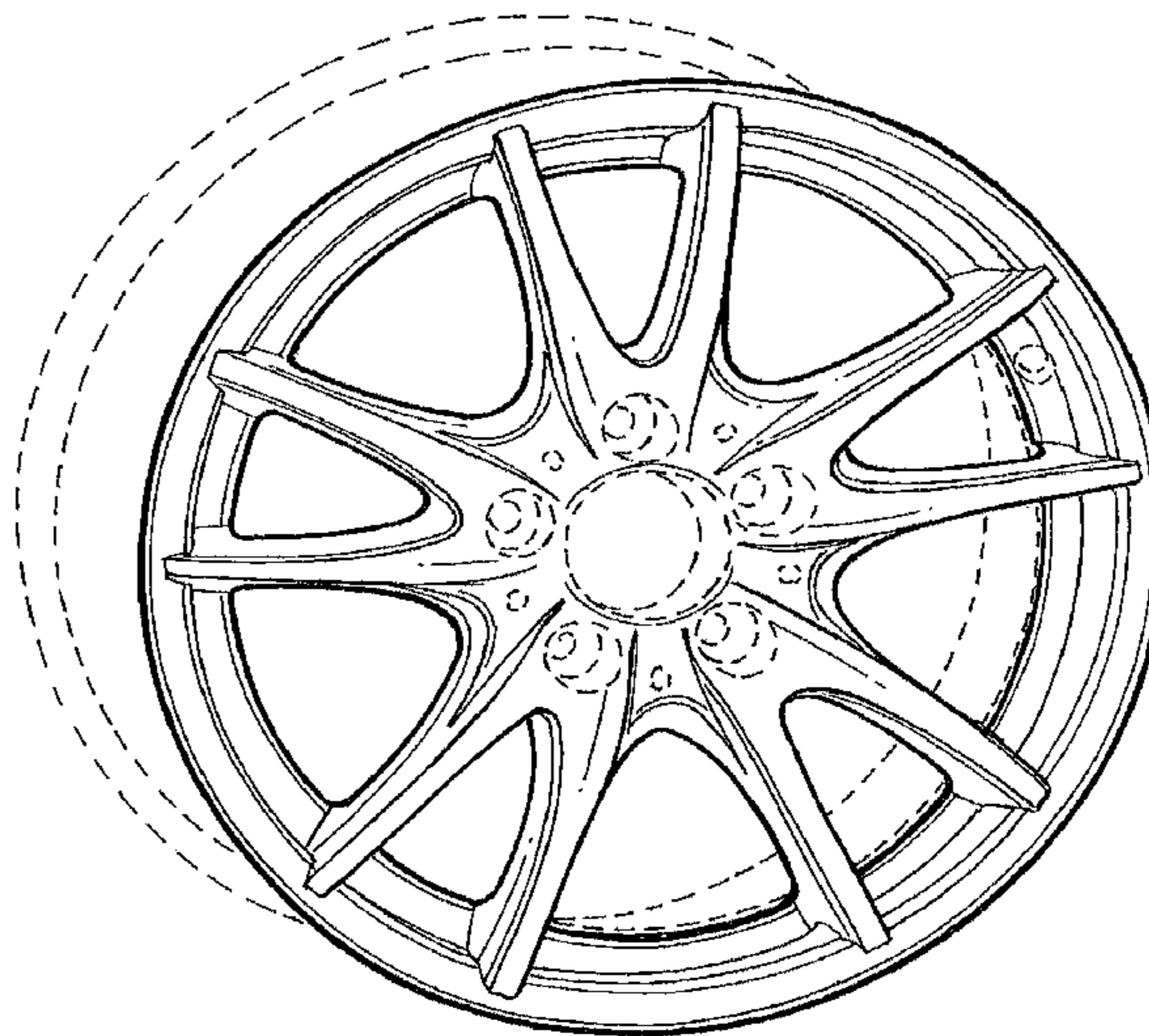
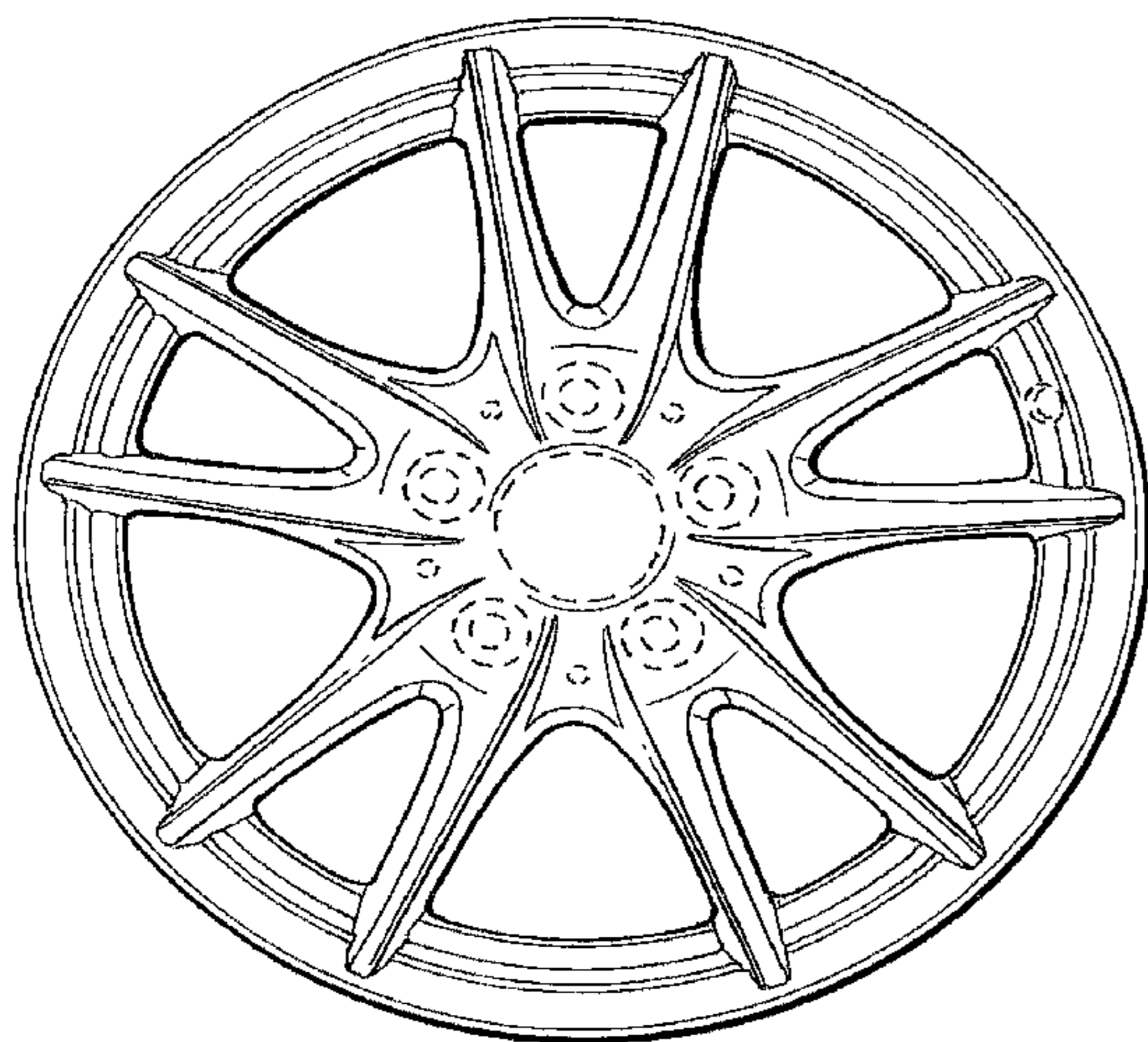
DESCRIPTION

FIG. 1 is a front view of a wheel or wheel cover according to my design; and,

FIG. 2 is a perspective view thereof.

The broken line showing of the rear of the wheel, the valve stem hole, and the bolt holes and center opening in the central hub area is included for the purpose of illustrating environment and forms no part of the claimed design.

1 Claim, 1 Drawing Sheet



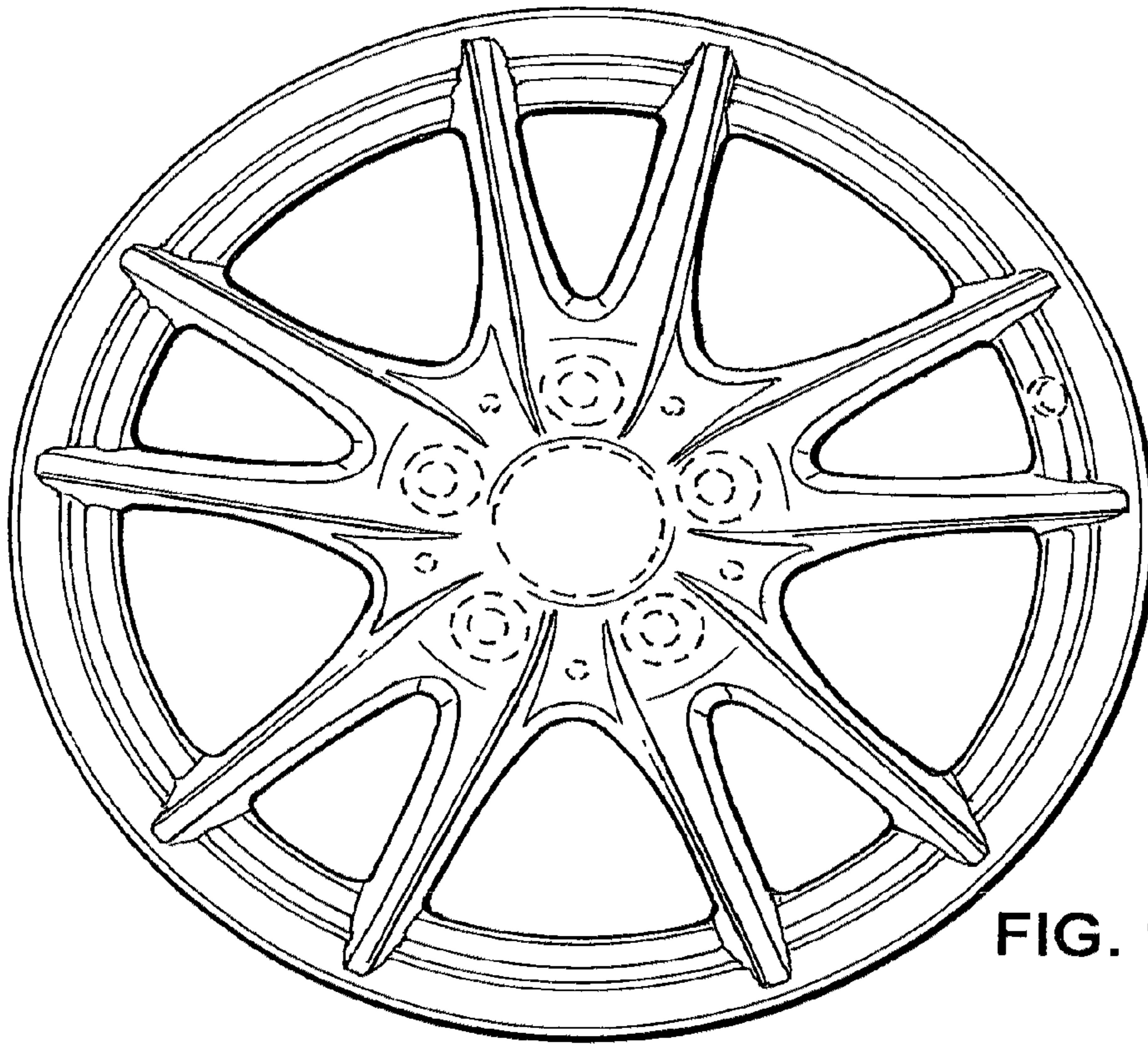


FIG. 1

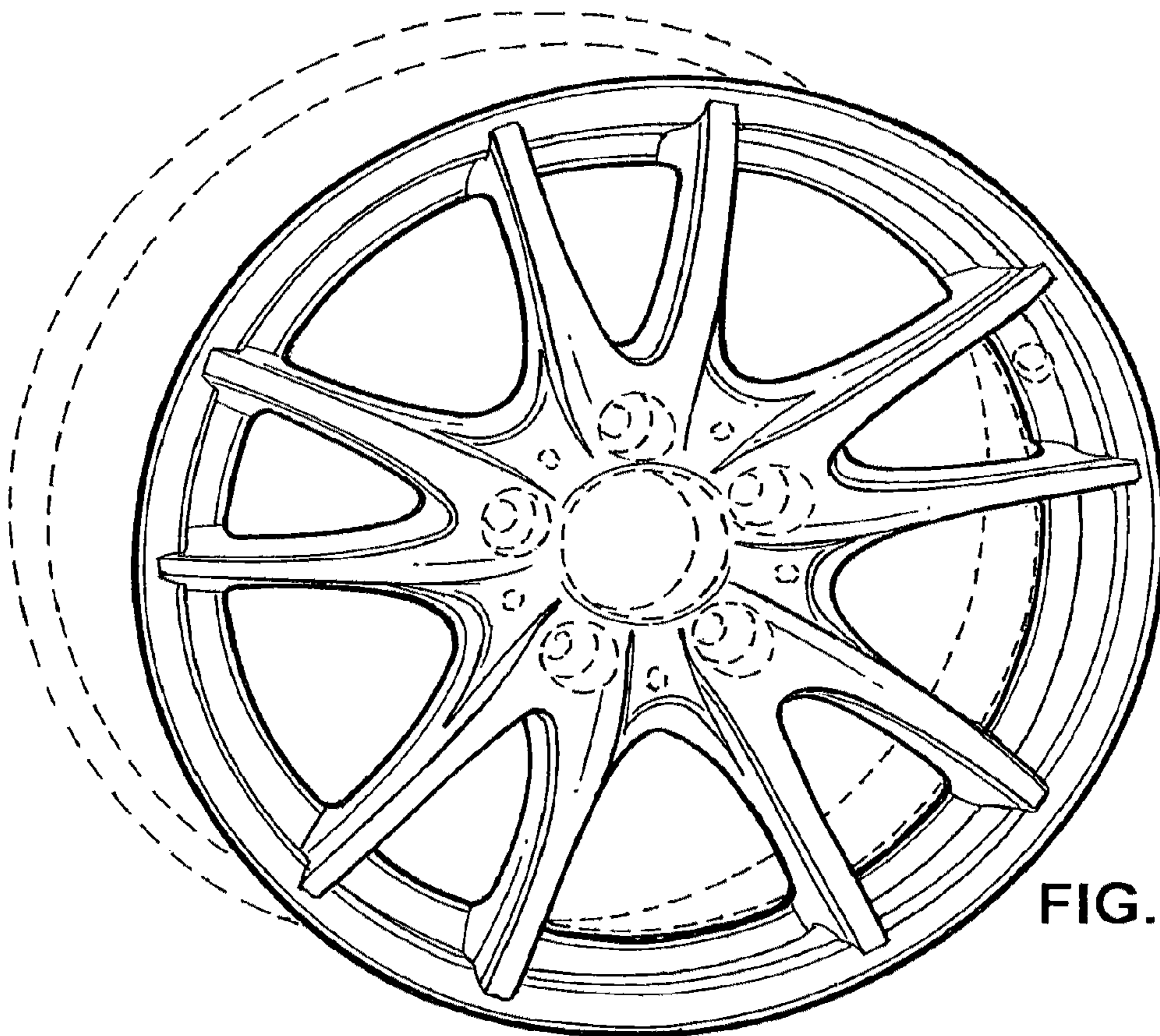


FIG. 2