



US00D670618S

(12) **United States Design Patent**
Yamazaki

(10) **Patent No.:** **US D670,618 S**

(45) **Date of Patent:** **** Nov. 13, 2012**

(54) **MOTOR SCOOTER OR MOTOR SCOOTER REPLICA**

(75) Inventor: **Takayuki Yamazaki, Wako (JP)**

(73) Assignee: **Honda Motor Co., Ltd., Tokyo (JP)**

(**) Term: **14 Years**

(21) Appl. No.: **29/418,137**

(22) Filed: **Apr. 12, 2012**

(30) **Foreign Application Priority Data**

Oct. 27, 2011 (JP) 2011-024784

(51) **LOC (9) Cl.** **12-11**

(52) **U.S. Cl.** **D12/110**

(58) **Field of Classification Search** D12/110,
D12/107, 86, 402, 126; 180/219, 220, 225,
180/89.1, 89.19, 208, 209, 291, 223, 233;
296/10, 180.1, 181.5, 181.7, 192, 102, 107.08,
296/181.1, 78.1, 64, 193.01, 181.4, 77.1;
280/287, 30

See application file for complete search history.

(56) **References Cited**

U.S. PATENT DOCUMENTS

D195,075	S *	4/1963	May	D12/110
3,096,841	A *	7/1963	May	180/13
3,314,494	A *	4/1967	Weitzner	180/208
3,316,993	A *	5/1967	Weitzner	180/208
3,934,669	A *	1/1976	Adams	180/208
D245,324	S *	8/1977	Adams	D12/110
4,094,374	A *	6/1978	Adams	180/208
D272,335	S *	1/1984	Bauer	D12/402
D323,306	S *	1/1992	Brummer	D12/111
5,097,922	A *	3/1992	Stagi	180/208

6,273,442	B1 *	8/2001	Fallon et al.	280/287
6,457,544	B1 *	10/2002	Sung	180/220
7,077,229	B2 *	7/2006	Lee	180/220
7,731,204	B2 *	6/2010	Turner et al.	280/30
7,837,206	B1 *	11/2010	Lee	280/37
D644,569	S *	9/2011	Meyers	D12/110

* cited by examiner

Primary Examiner — Susan M Lee

Assistant Examiner — Linda G. Brooks

(74) *Attorney, Agent, or Firm* — Birch, Stewart, Kolasch & Birch, LLP

(57) **CLAIM**

The ornamental design for a motor scooter or motor scooter replica, as shown and described.

DESCRIPTION

FIG. 1 is a perspective view from the right side of a motor scooter or motor scooter replica.

FIG. 2 is a perspective view from the left side thereof.

FIG. 3 is a perspective view from the right side thereof.

FIG. 4 is a perspective view from the left side thereof.

FIG. 5 is a front elevation view thereof.

FIG. 6 is a rear elevation view thereof.

FIG. 7 is a right side elevation view thereof.

FIG. 8 is a left side elevation view thereof.

FIG. 9 is a top plan view thereof.

FIG. 10 is a bottom plan view thereof.

FIG. 11 is a perspective view thereof in folded position; and,

FIG. 12 is a perspective view thereof in folded position.

The portions of the motor scooter shown in broken lines are for the purpose of showing environmental structure only and form no part of the claimed design.

1 Claim, 12 Drawing Sheets

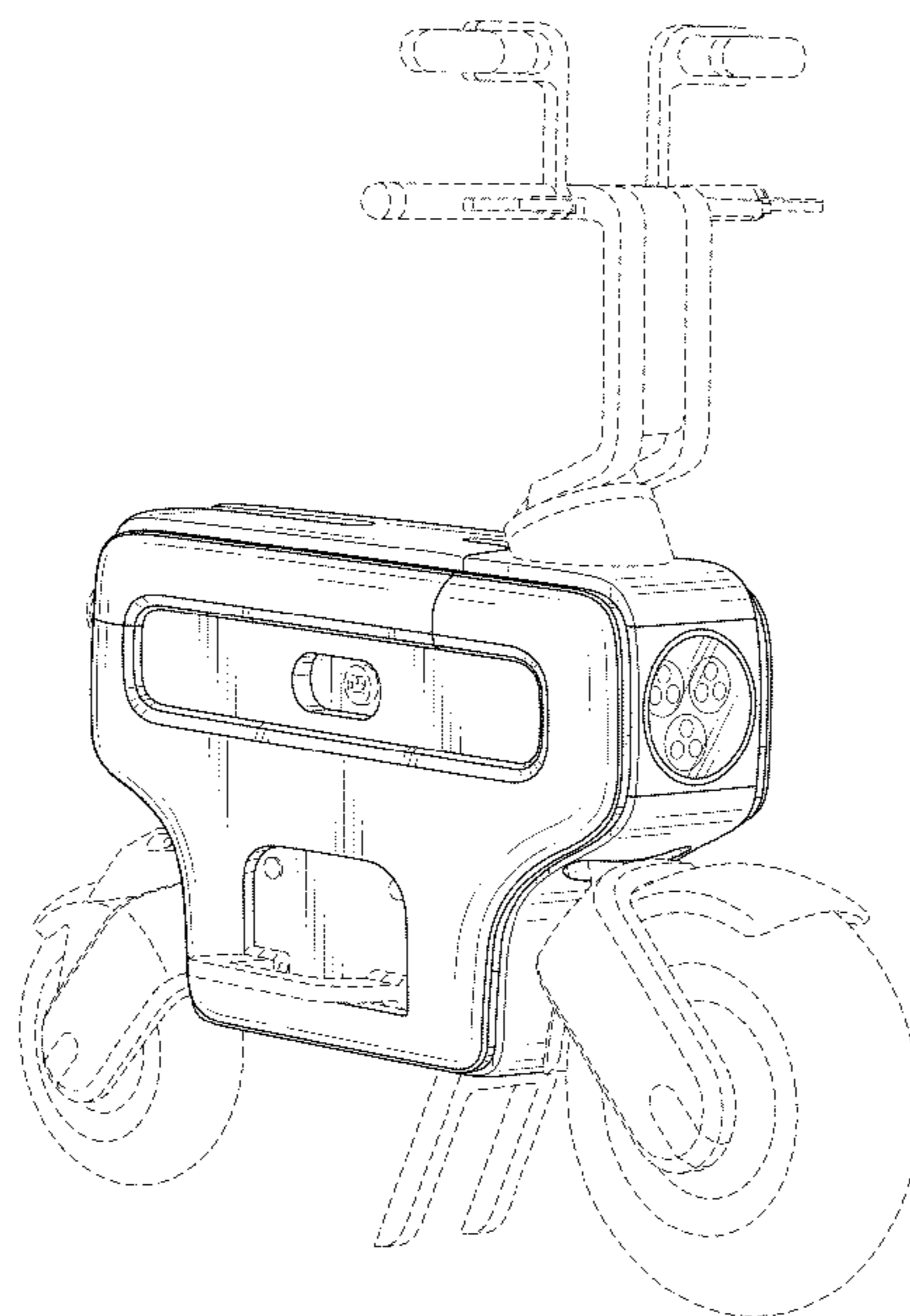


FIG. 1

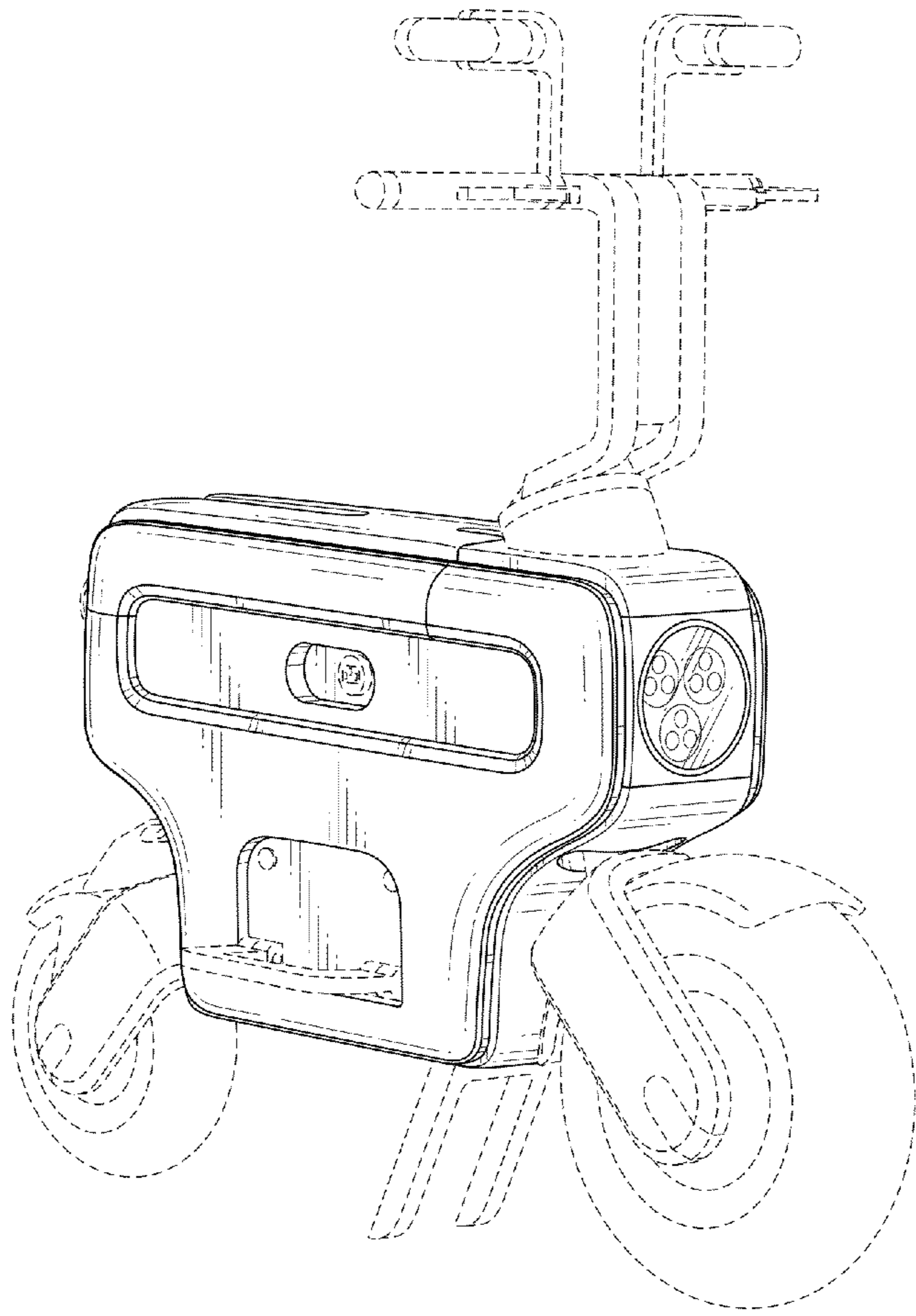


FIG. 2

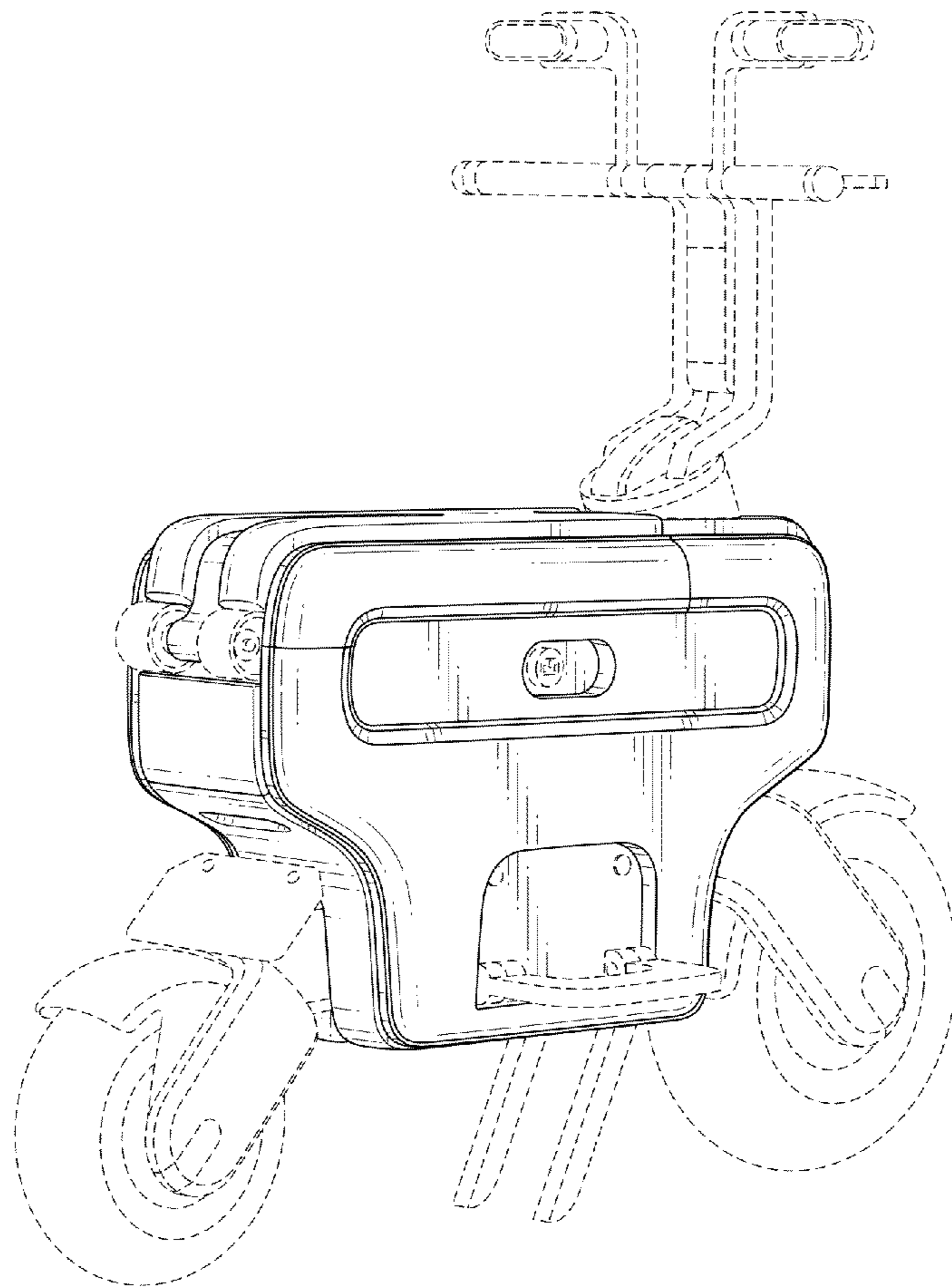


FIG. 3

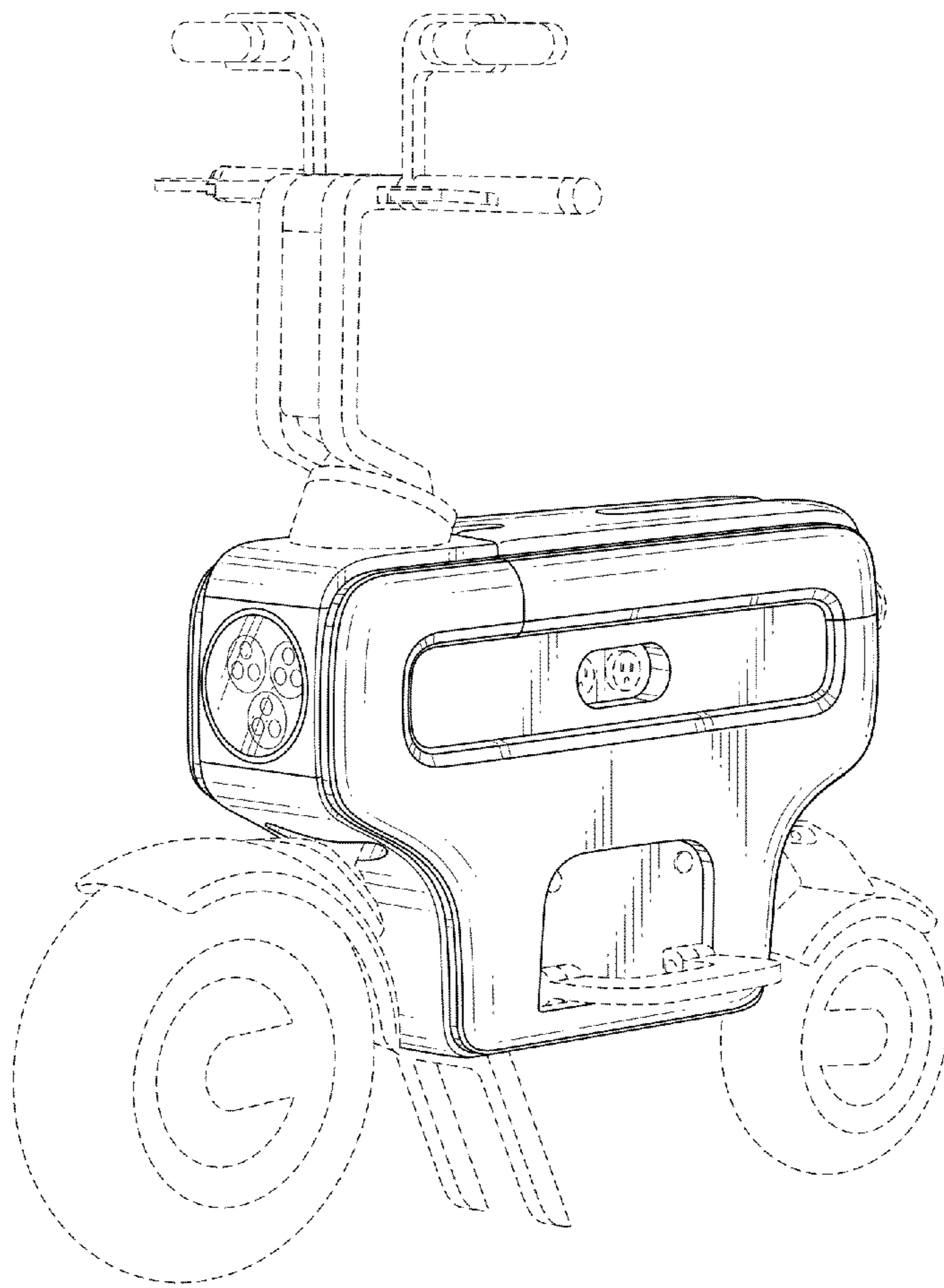


FIG. 4

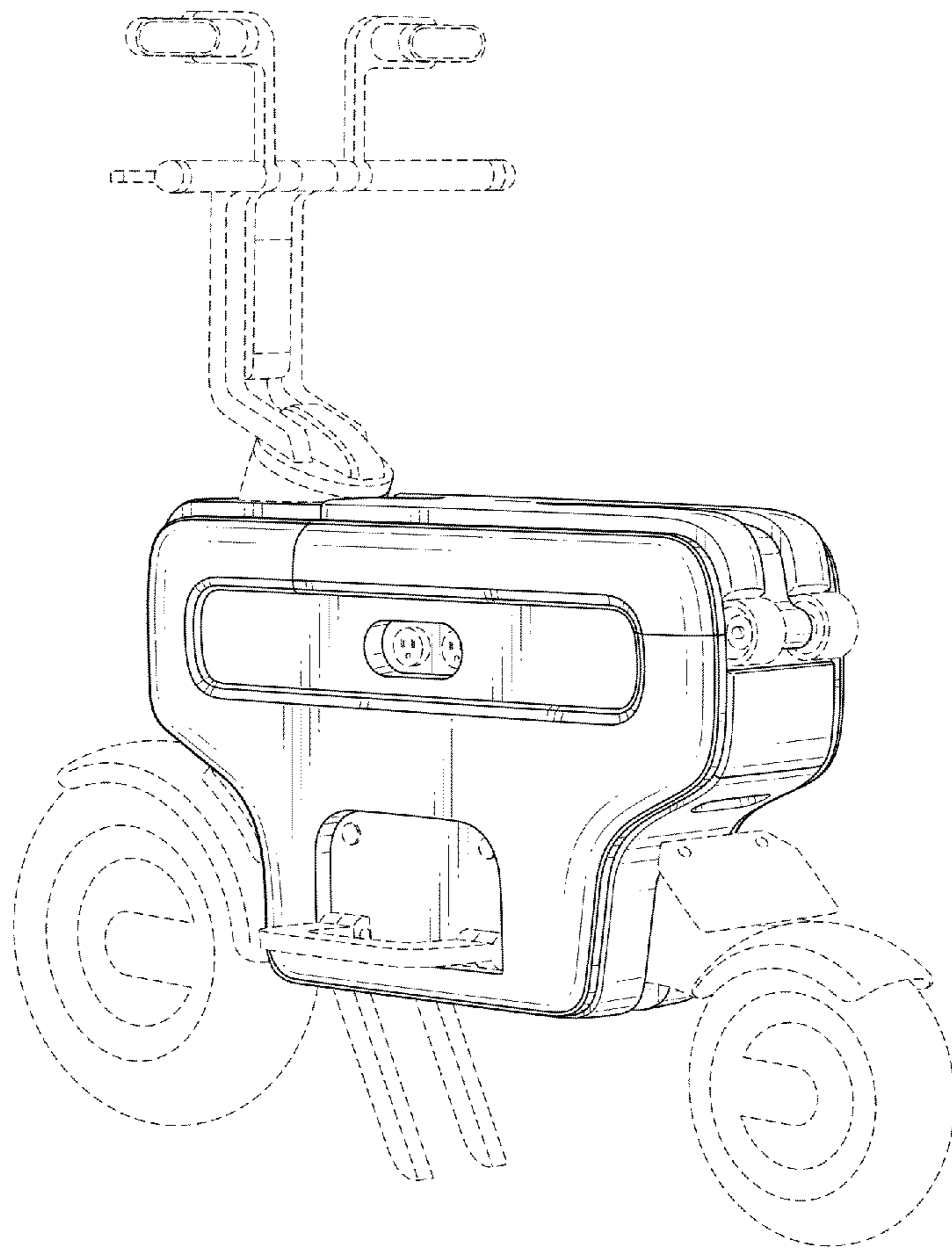


FIG. 5

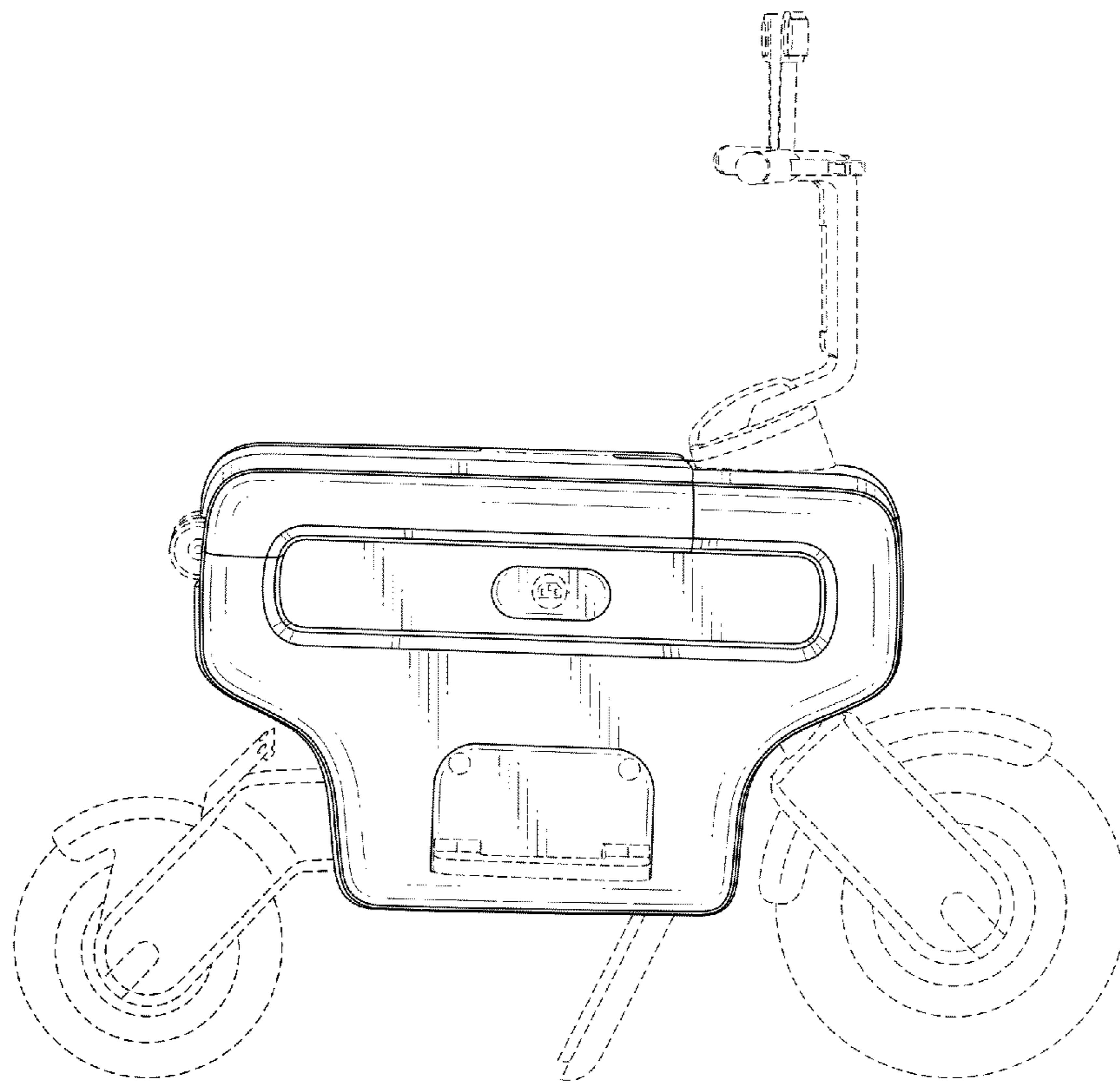


FIG. 6

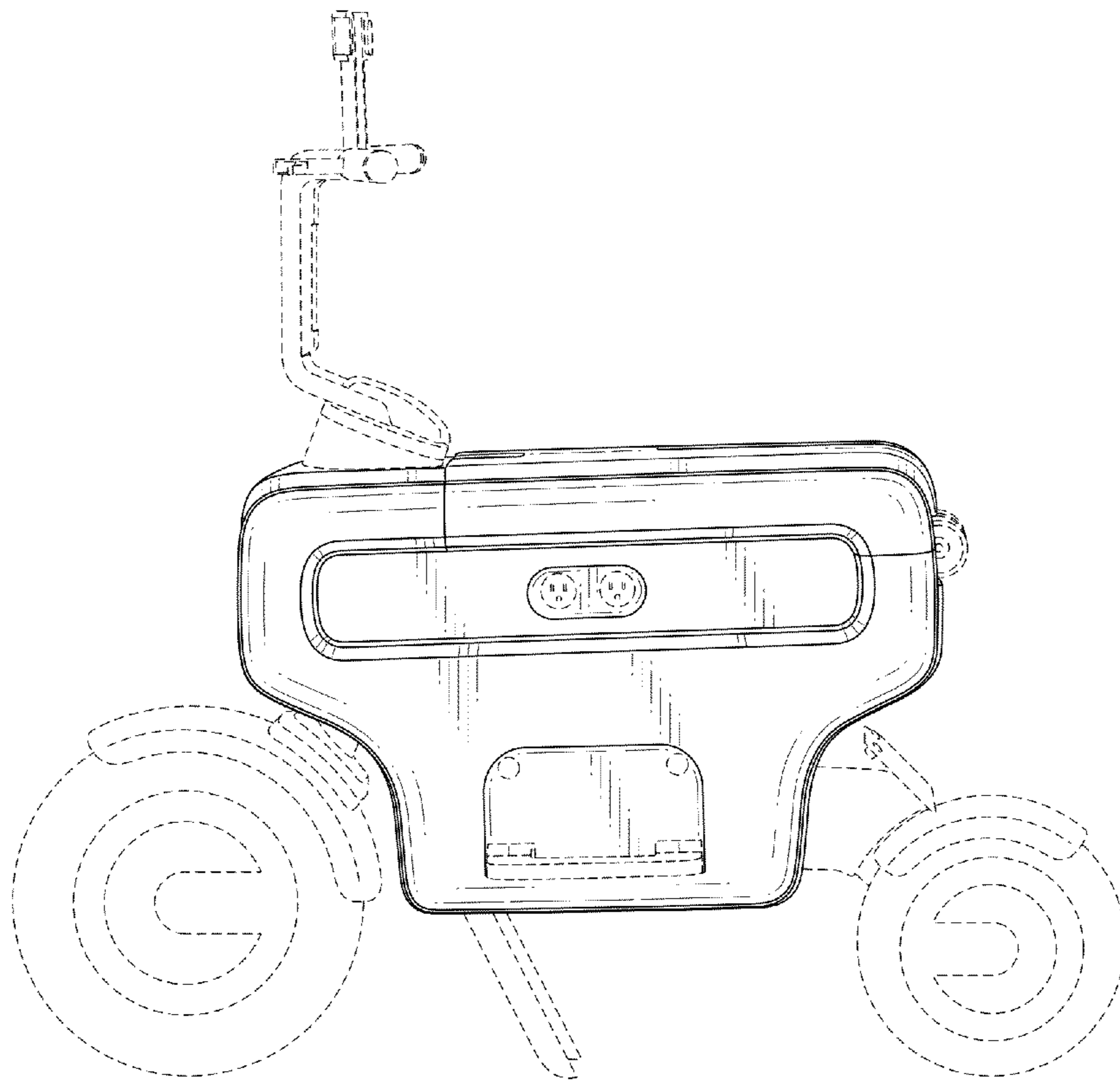


FIG. 7

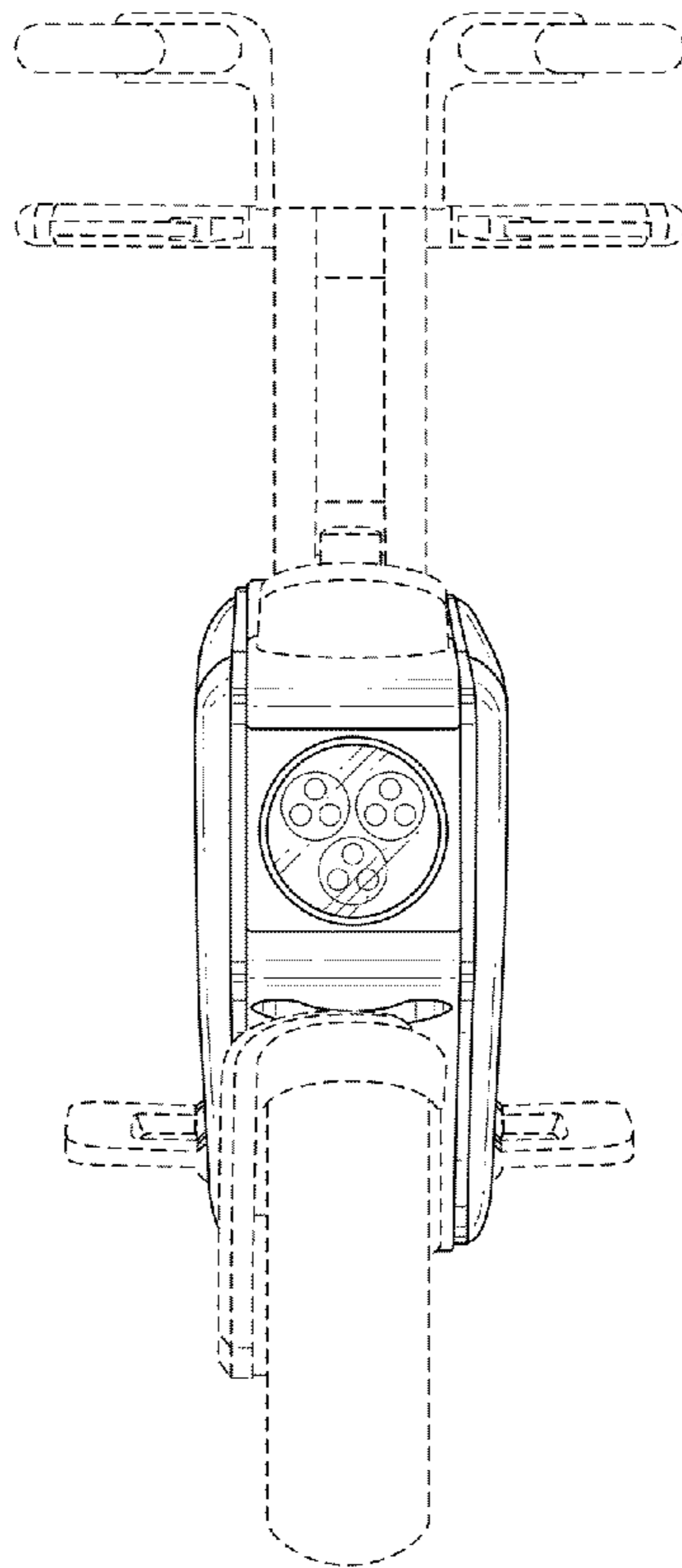


FIG. 8

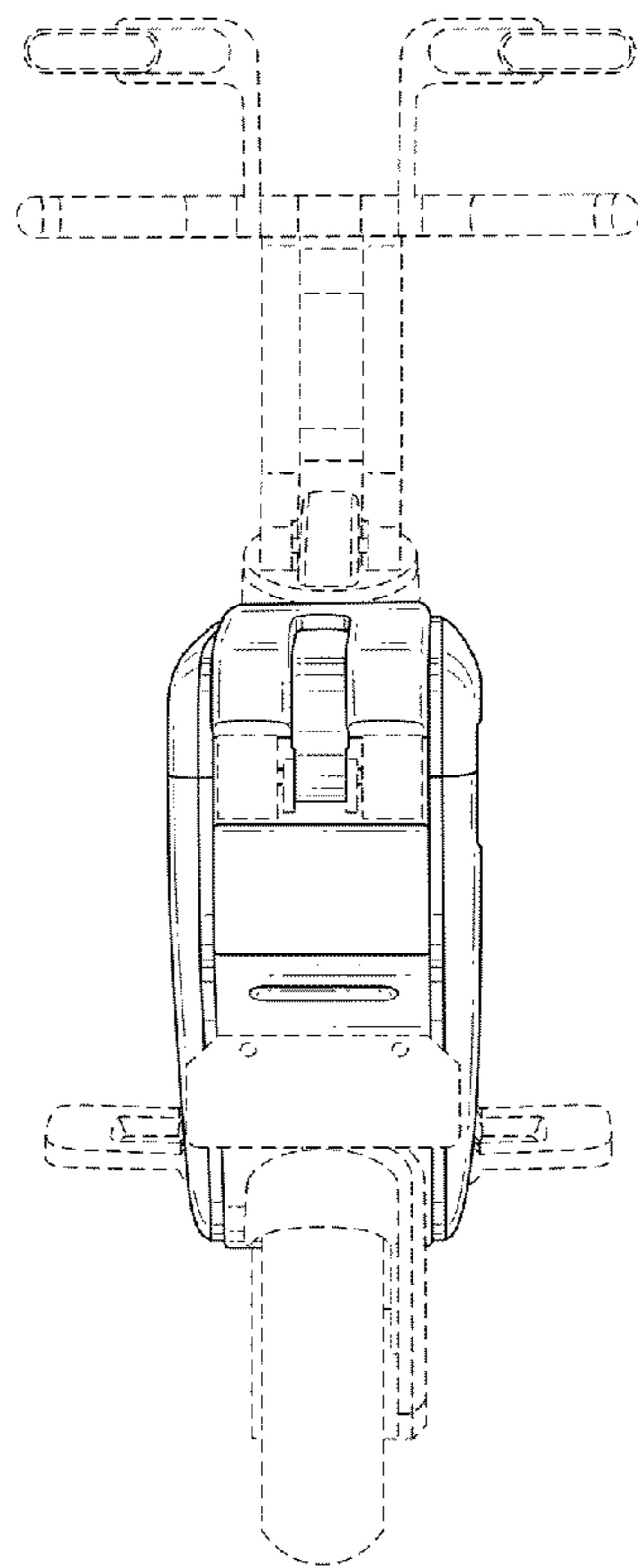


FIG. 9

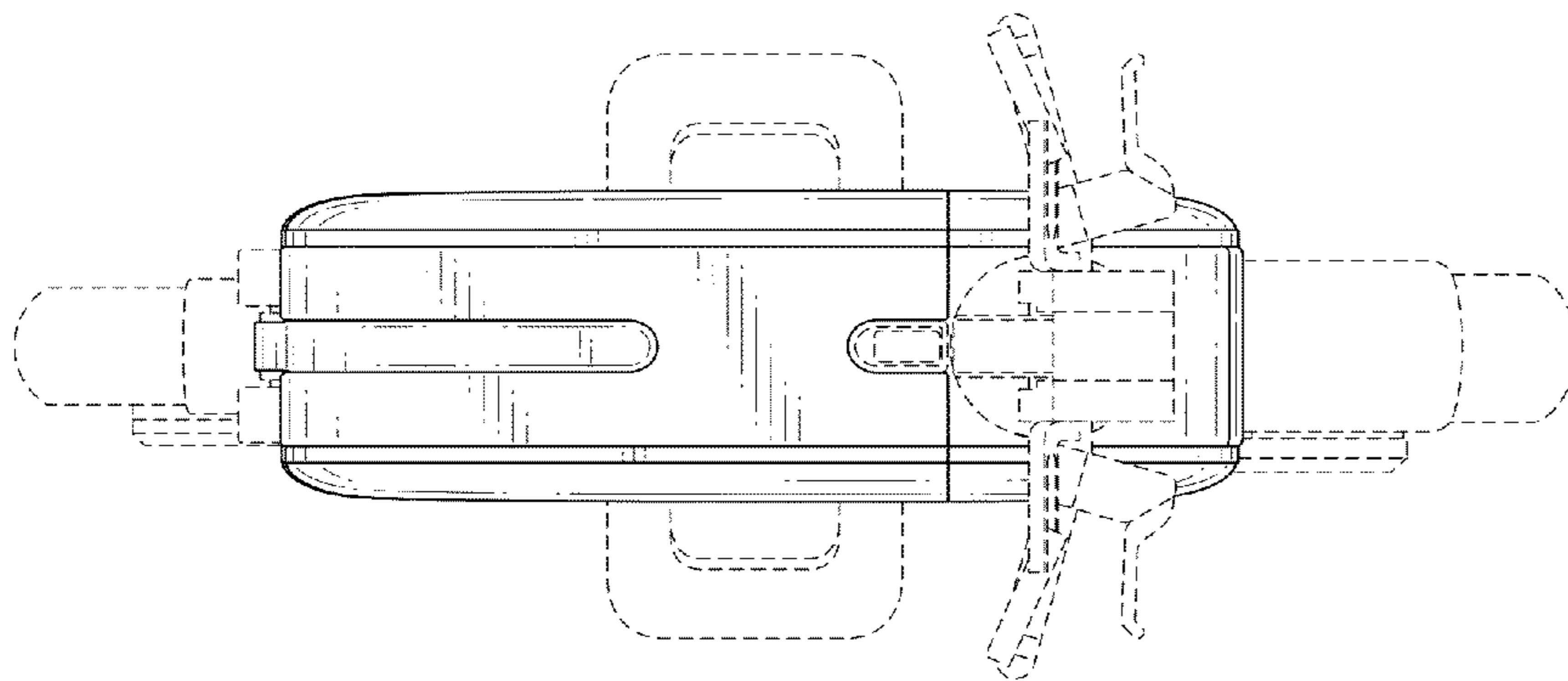


FIG. 10

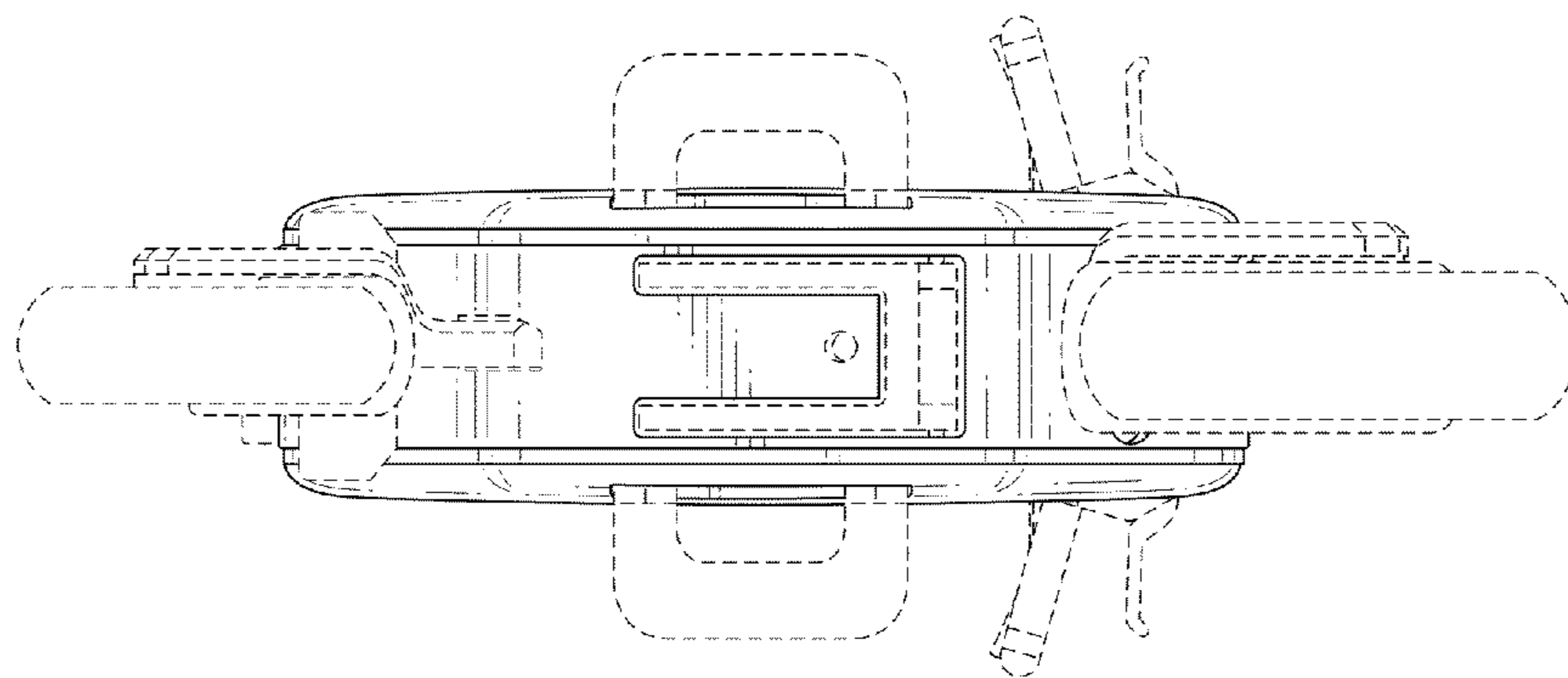


FIG. 11

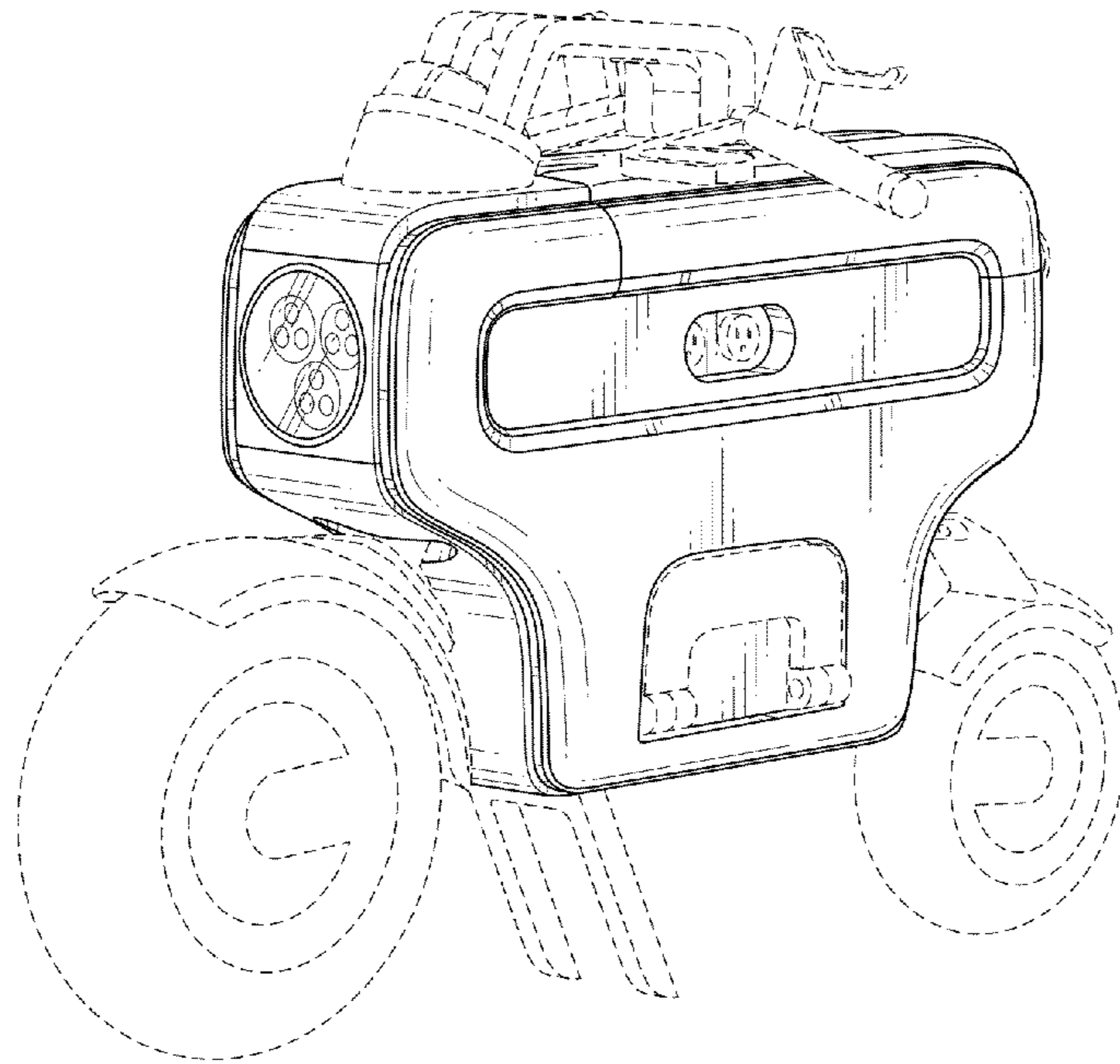


FIG. 12

