



US00D670617S

(12) **United States Design Patent**  
**Tako et al.**

(10) **Patent No.:** **US D670,617 S**  
(45) **Date of Patent:** **\*\* Nov. 13, 2012**

(54) **MOTOR SCOOTER OR MOTOR SCOOTER REPLICA**

(75) Inventors: **Kenji Tako**, Wako (JP); **Koji Yaginuma**, Wako (JP)

(73) Assignee: **Honda Motor Co., Ltd.**, Tokyo (JP)

(\*\*) Term: **14 Years**

(21) Appl. No.: **29/415,252**

(22) Filed: **Mar. 8, 2012**

(30) **Foreign Application Priority Data**

Oct. 7, 2011 (JP) ..... 2011-023118

(51) **LOC (9) Cl.** ..... **12-11**

(52) **U.S. Cl.** ..... **D12/110**

(58) **Field of Classification Search** ..... D12/110,

D12/401, 402, 404, 107; 180/219, 220, 65.1,

180/205.1, 206.1, 206.5, 206.7, 207, 200,

180/201, 216, 218, 65.31; 296/77.1, 78.1,

296/136.01, 136.1, 136.05, 193.12, 200,

296/201, 136.11, 180.1, 187.13, 96.21, 79;

135/88.01, 88.03, 88.04; 150/166-168;

280/288.1-288.4, 304.3, 304.4, 756, 770

See application file for complete search history.

(56) **References Cited**

**U.S. PATENT DOCUMENTS**

4,313,517	A *	2/1982	Pivar	180/216
4,372,602	A *	2/1983	Tsuchiya et al.	296/77.1
4,973,082	A *	11/1990	Kincheloe	280/756
6,598,927	B2 *	7/2003	Kurohori et al.	296/79
D579,851	S *	11/2008	Fermil	D12/402
7,946,373	B2 *	5/2011	Gibson	180/206.5
D663,242	S *	7/2012	Zhang et al.	D12/110
2010/0096200	A1 *	4/2010	Bombarda	180/65.31

**OTHER PUBLICATIONS**

Endless-shpere.com. Electric Vehicle Technology Forums. © 2000, 2002, 2005, 2007. Motorcycles with Canopies on pp. 4-7, and 9 of 22 [Retrieved on Mar. 5, 2012]. Retrieved from the Internet /endless-sphere.com/forums/viewtopic.php?f=3999&start=300>.\*

\* cited by examiner

*Primary Examiner* — Susan M Lee

*Assistant Examiner* — Linda G. Brooks

(74) *Attorney, Agent, or Firm* — Birch, Stewart, Kolasch & Birch, LLP

(57) **CLAIM**

The ornamental design for a motor scooter or motor scooter replica, as shown and described.

**DESCRIPTION**

FIG. 1 is a perspective view from the right side of a motor scooter or motor scooter replica.

FIG. 2 is a perspective view from the left side thereof.

FIG. 3 is a perspective view from the right side thereof.

FIG. 4 is a perspective view from the left side thereof.

FIG. 5 is a front elevation view thereof.

FIG. 6 is a rear elevation view thereof.

FIG. 7 is a right side elevation view thereof.

FIG. 8 is a left side elevation view thereof.

FIG. 9 is a top plan view thereof.

FIG. 10 is a bottom plan view thereof; and,

FIG. 11 is a referential perspective view from the left side thereof.

The portion of the motor scooter or motor scooter replica shown in broken lines is for the purpose of showing environmental structure only and forms no part of the claimed design. The oblique line shading in the drawings indicates translucency of the windshield of the motor scooter or motor scooter replica.

**1 Claim, 11 Drawing Sheets**

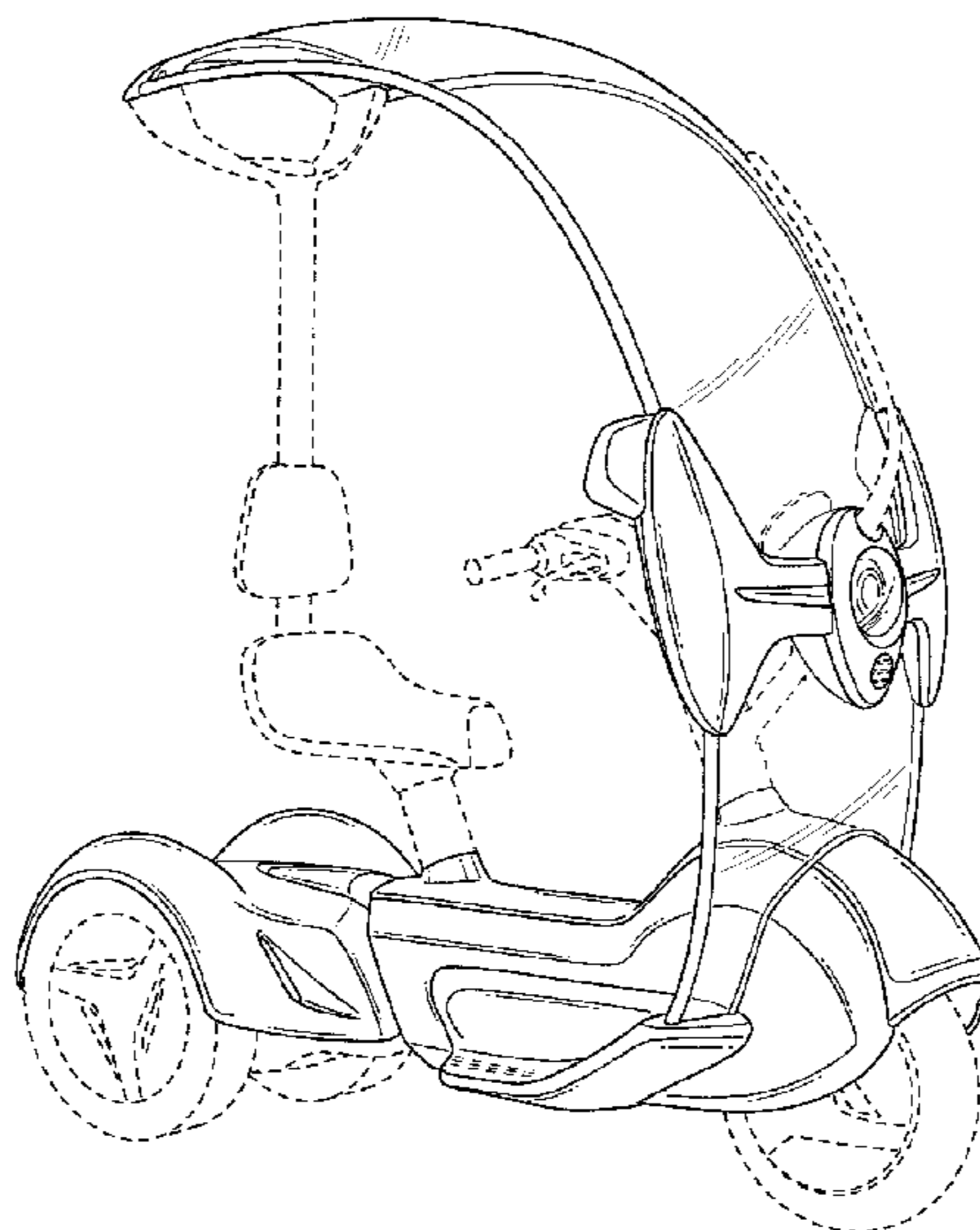


FIG. 1

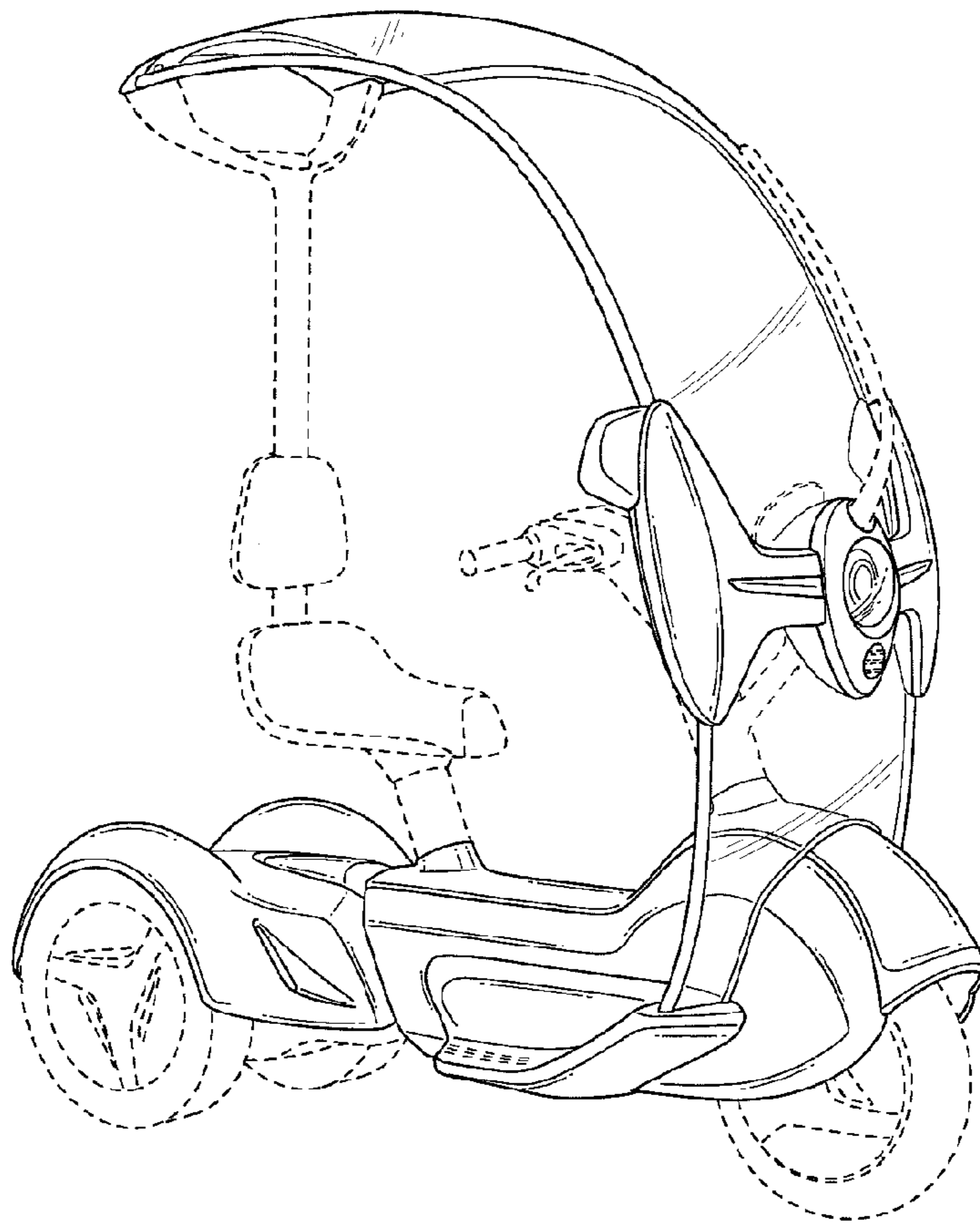


FIG. 2

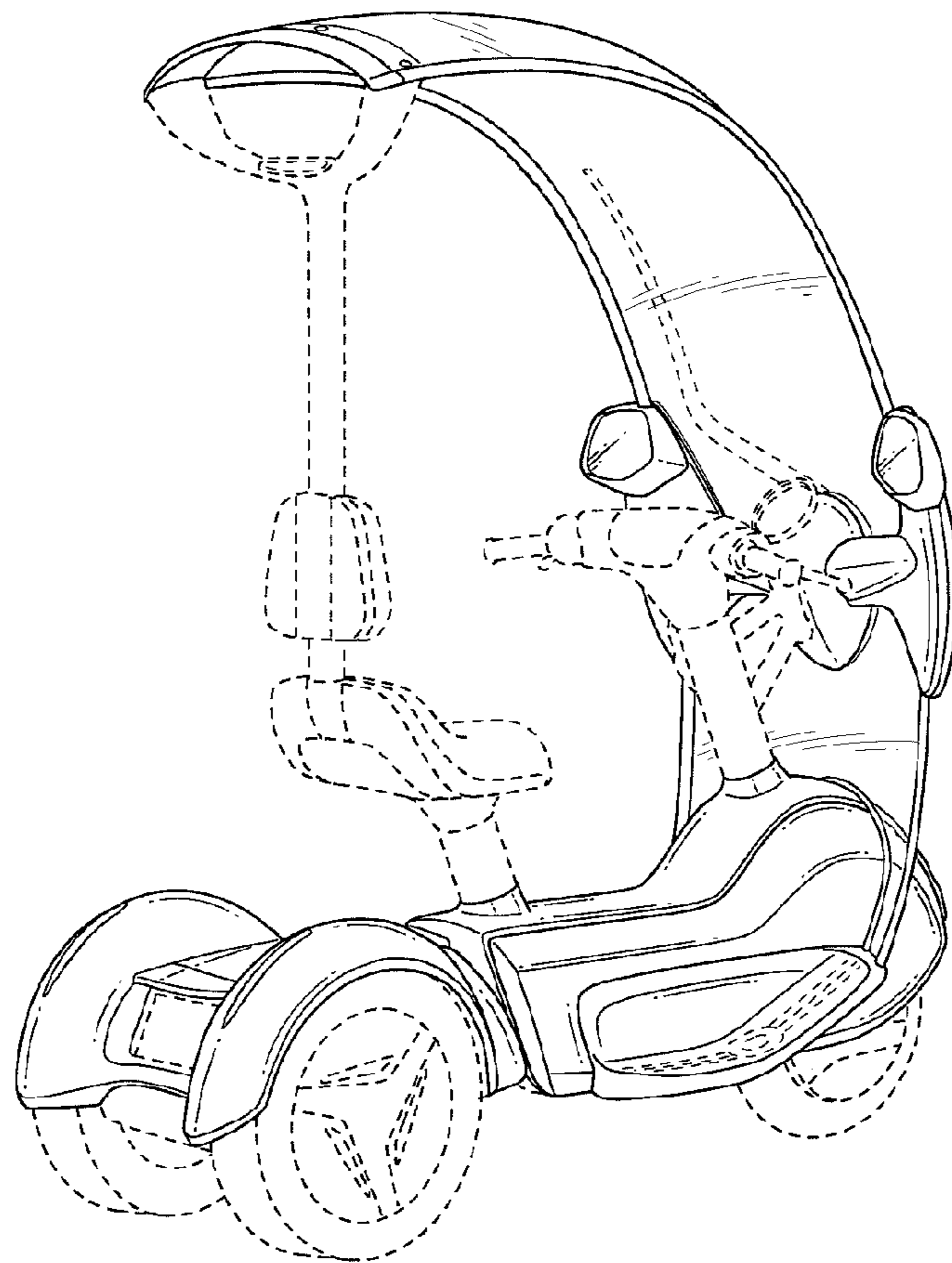


FIG. 3

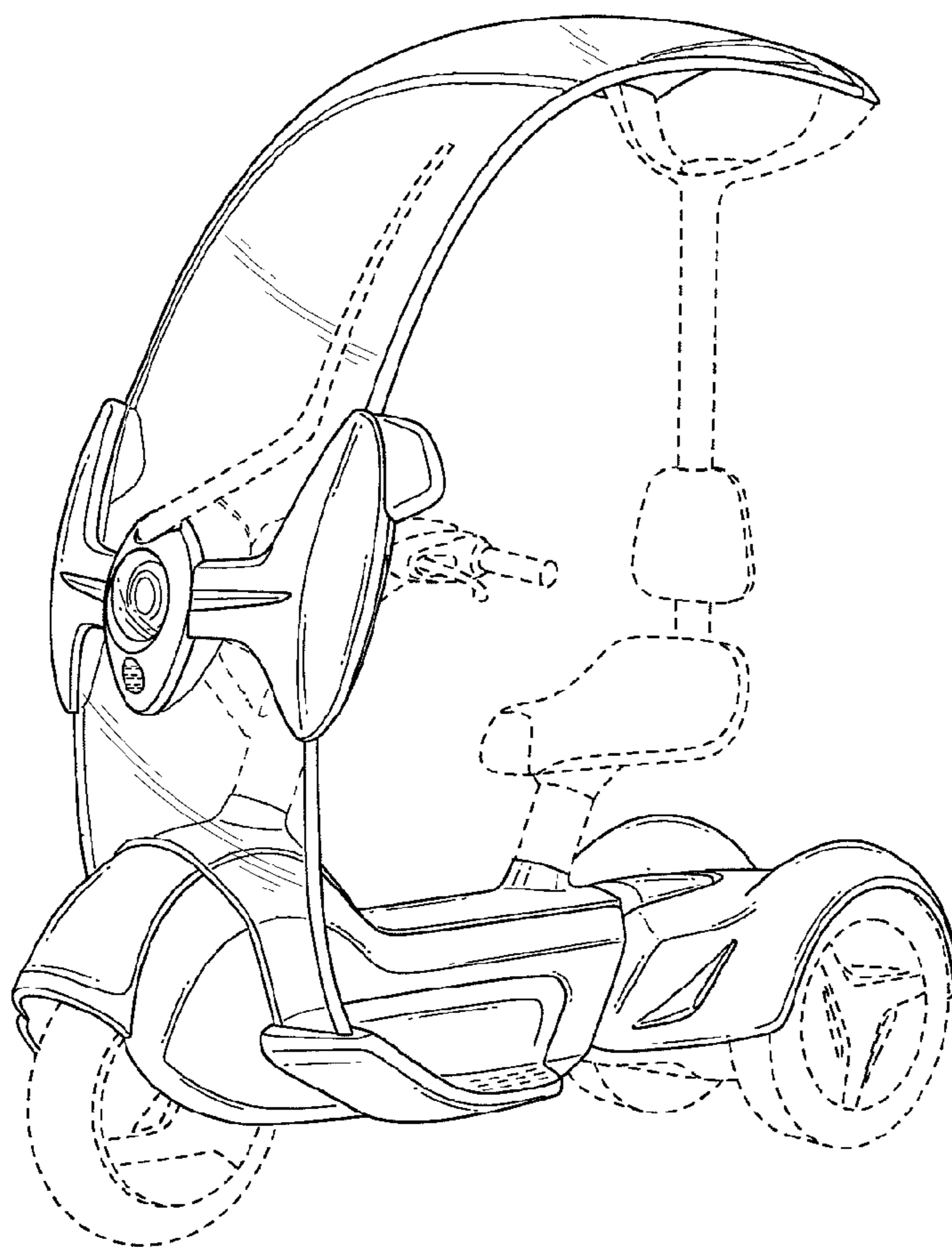


FIG. 4

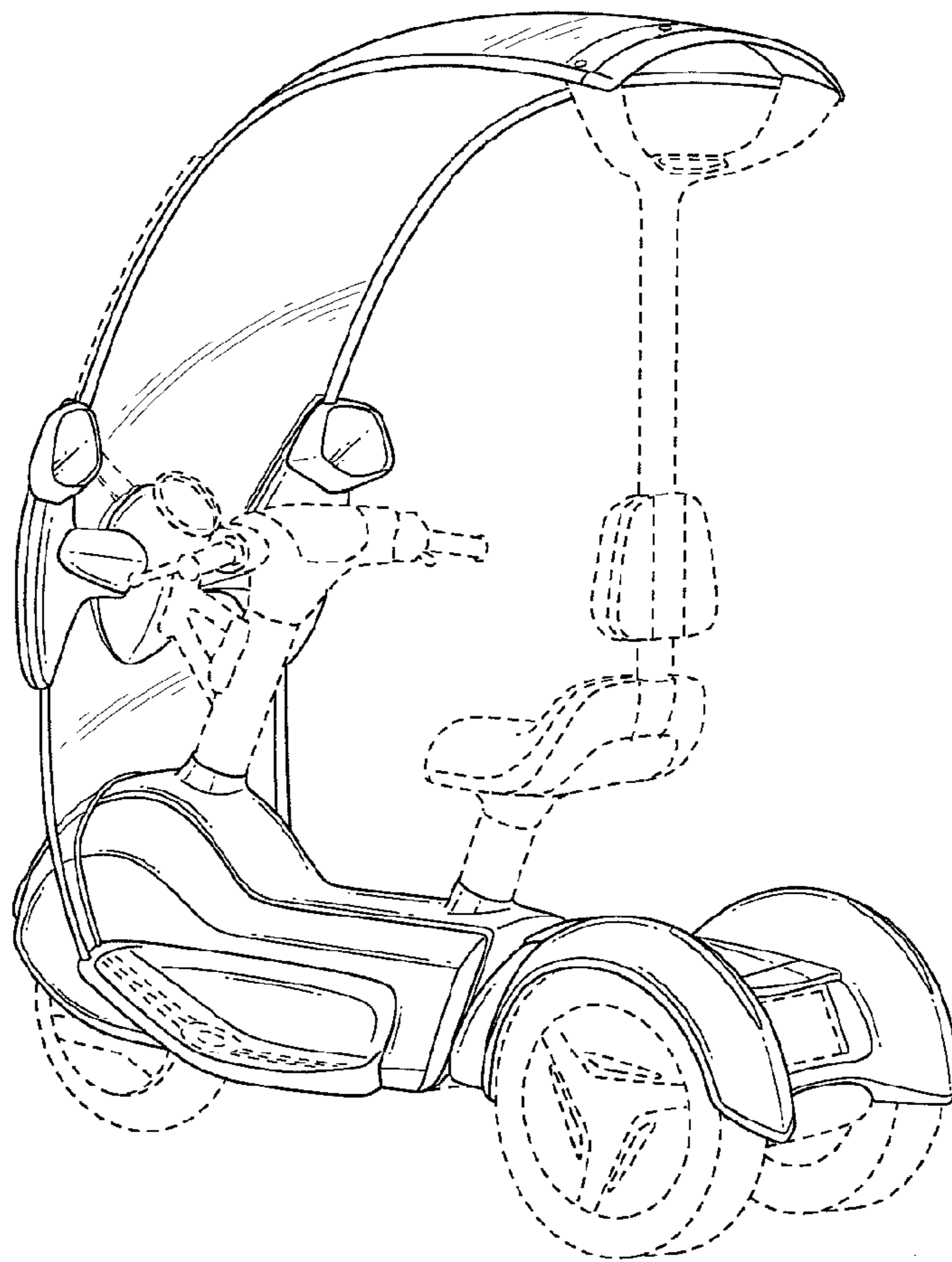


FIG. 5

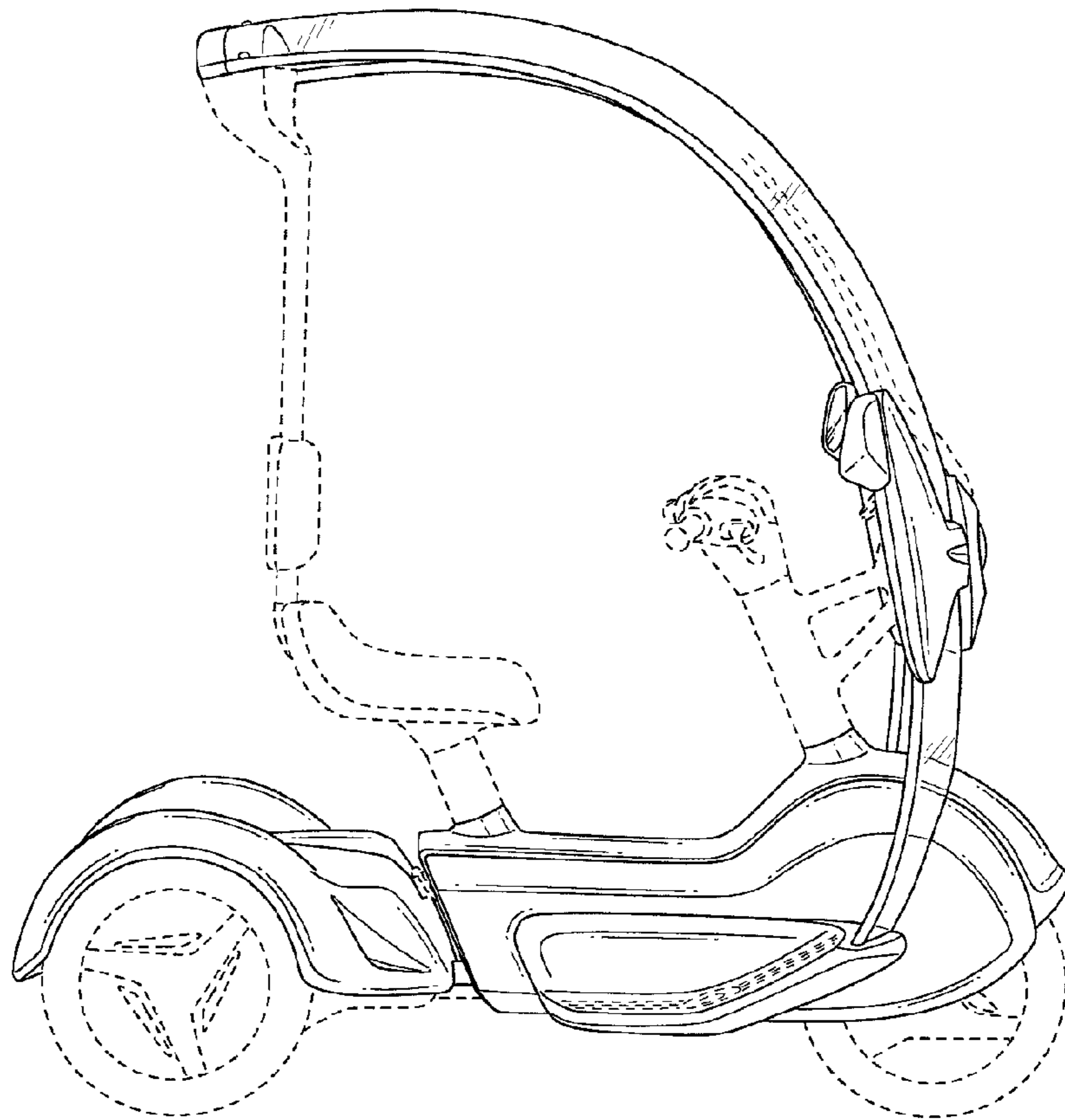


FIG. 6

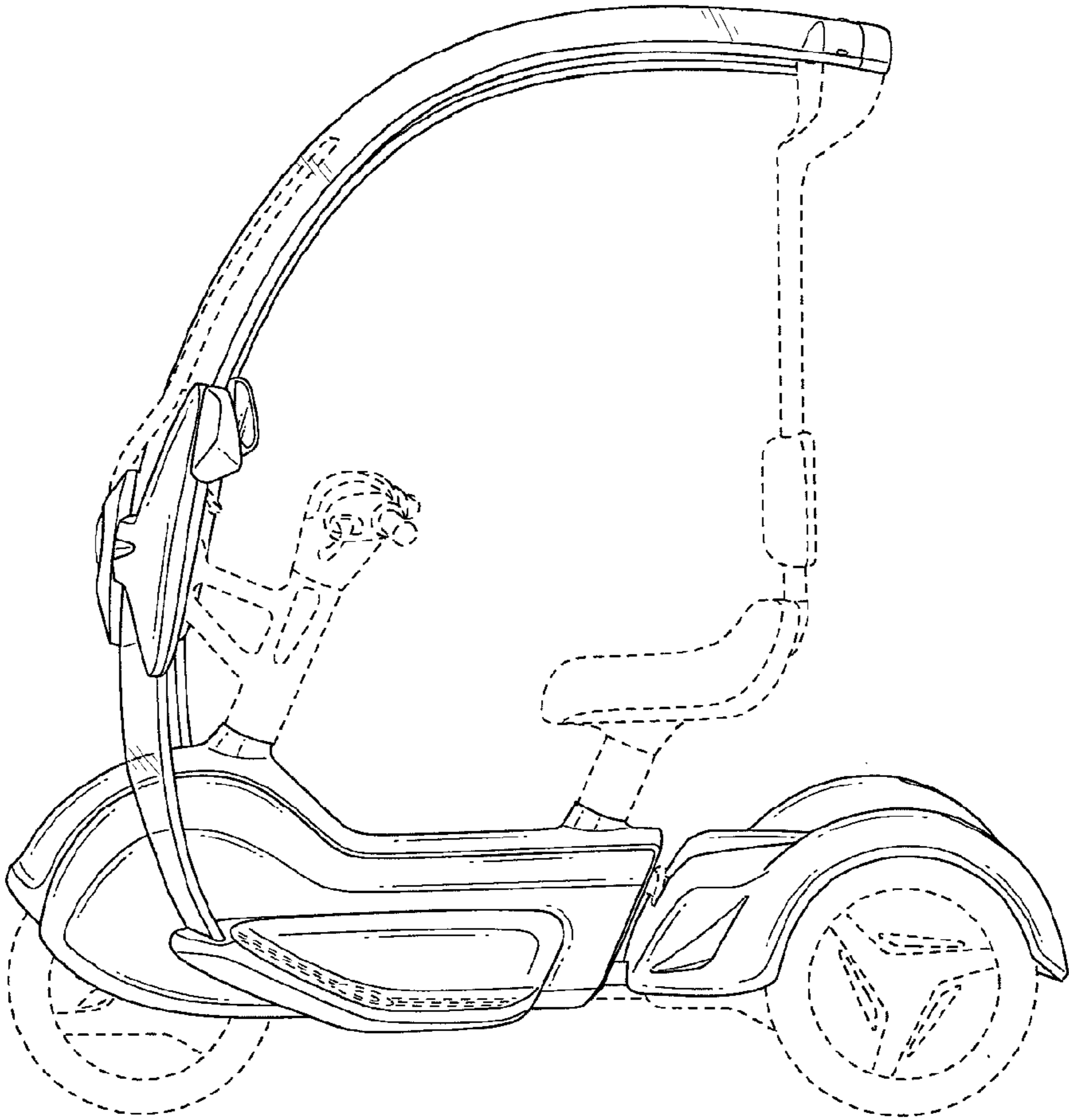


FIG. 7

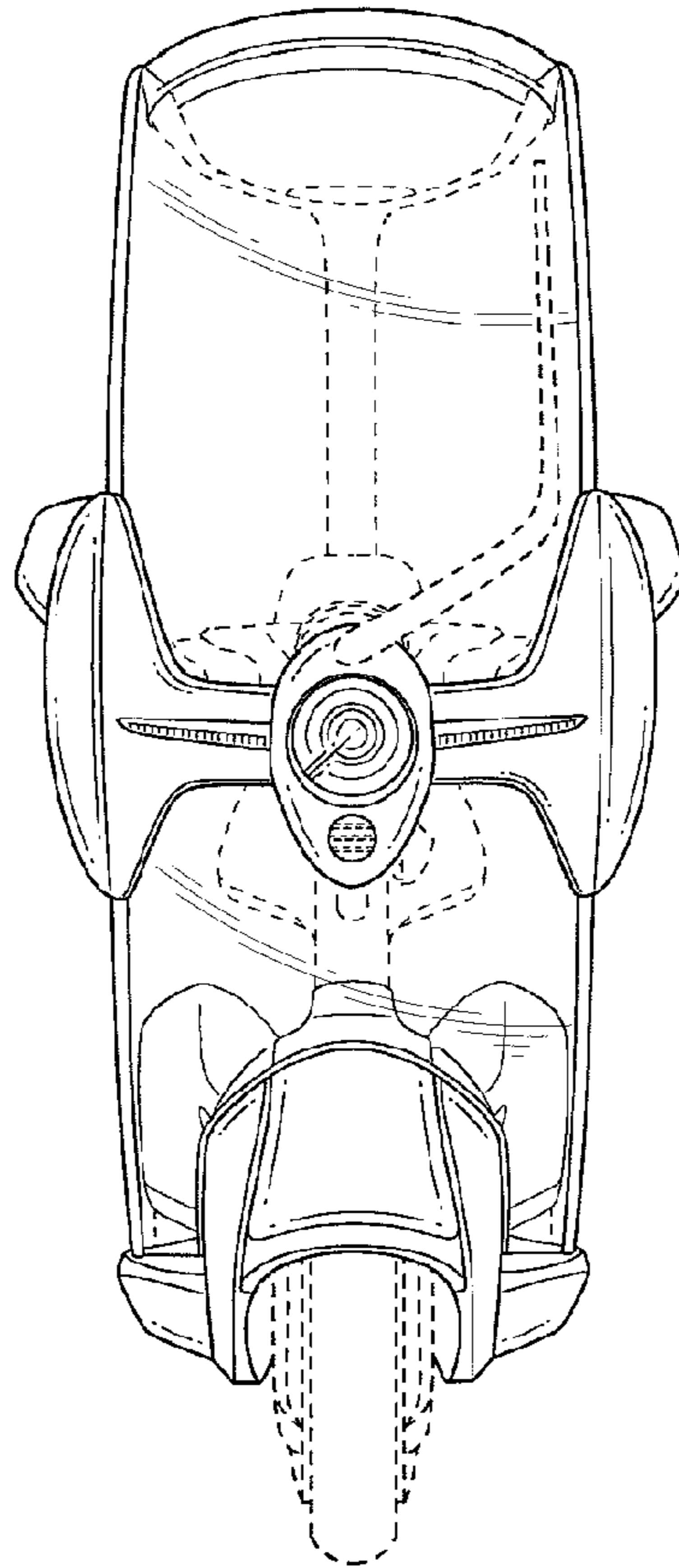




FIG. 8

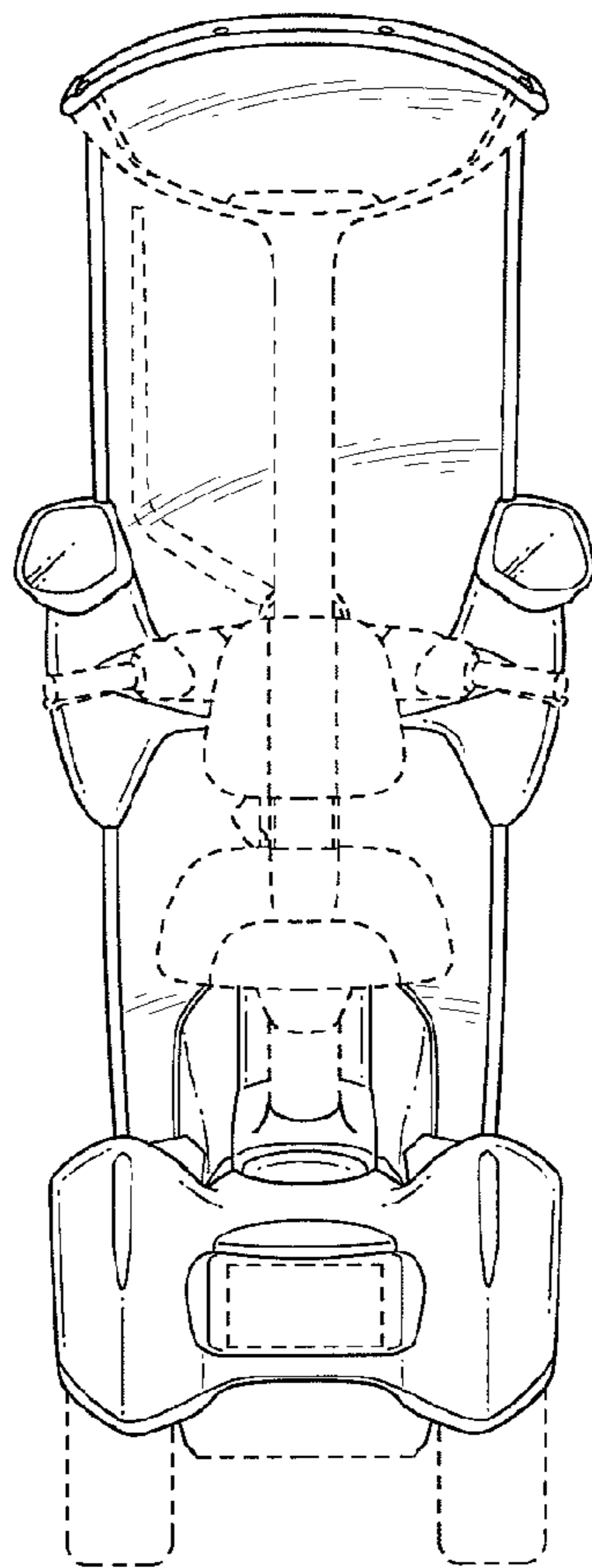


FIG. 9

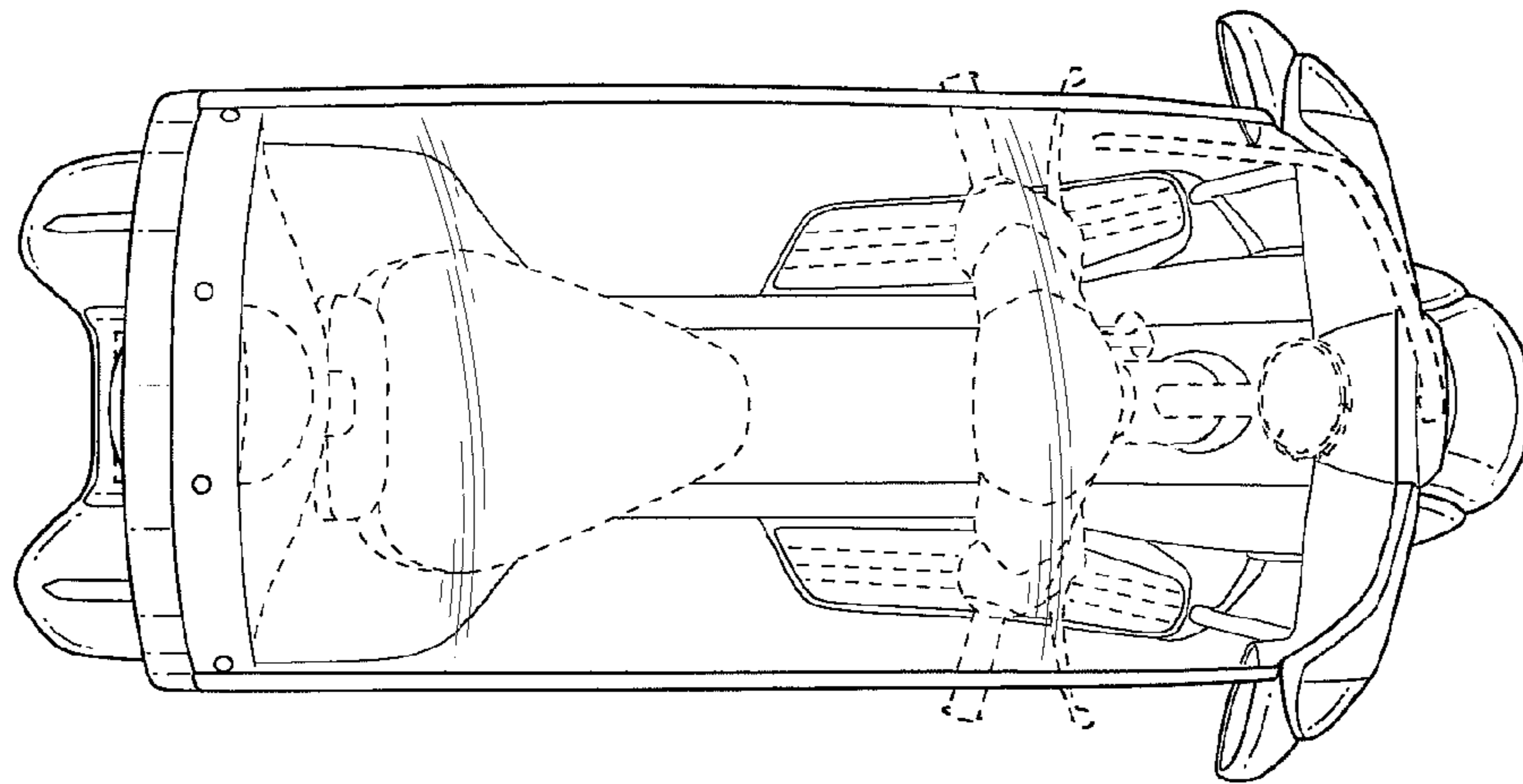


FIG. 10

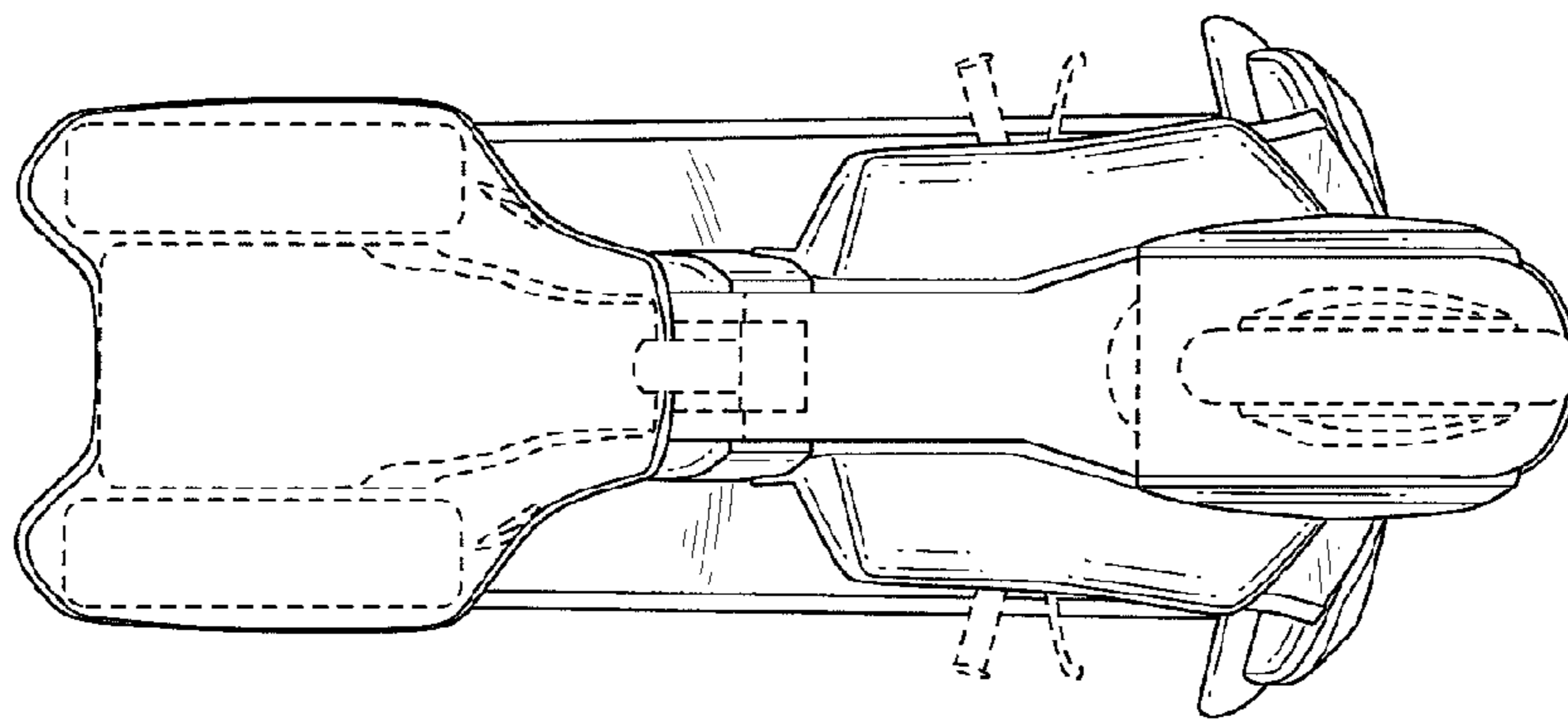


FIG. 11

